



US00D397124S

United States Patent [19]
Welsh

[11] **Patent Number: Des. 397,124**

[45] **Date of Patent: **Aug. 18, 1998**

[54] **TABLE FOR A SCROLL SAW**

[75] **Inventor: Robert P. Welsh, Hunt Valley, Md.**

[73] **Assignee: Black & Decker Inc., Newark, Del.**

[**] **Term: 14 Years**

[21] **Appl. No.: 73,714**

[22] **Filed: Jul. 16, 1997**

2,731,988	1/1956	Steiner	83/784
5,058,280	10/1991	Pollak et al.	83/786 X
5,176,059	1/1993	Anderson	83/783 X
5,540,130	7/1996	Huang et al.	83/783 X

Primary Examiner—Antoine Duval Davis
Attorney, Agent, or Firm—Adan Ayala

[57] **CLAIM**

The ornamental design for a table for a scroll saw, as shown and described.

Related U.S. Application Data

[63] Continuation of Ser. No. 62,012, Nov. 5, 1996, Continuation of Ser. No. 51,852, Mar. 1, 1996, abandoned.

[51] **LOC (6) Cl. 05-09**

[52] **U.S. Cl. D15/133**

[58] **Field of Search D15/133; 83/783-786**

[56] **References Cited**

U.S. PATENT DOCUMENTS

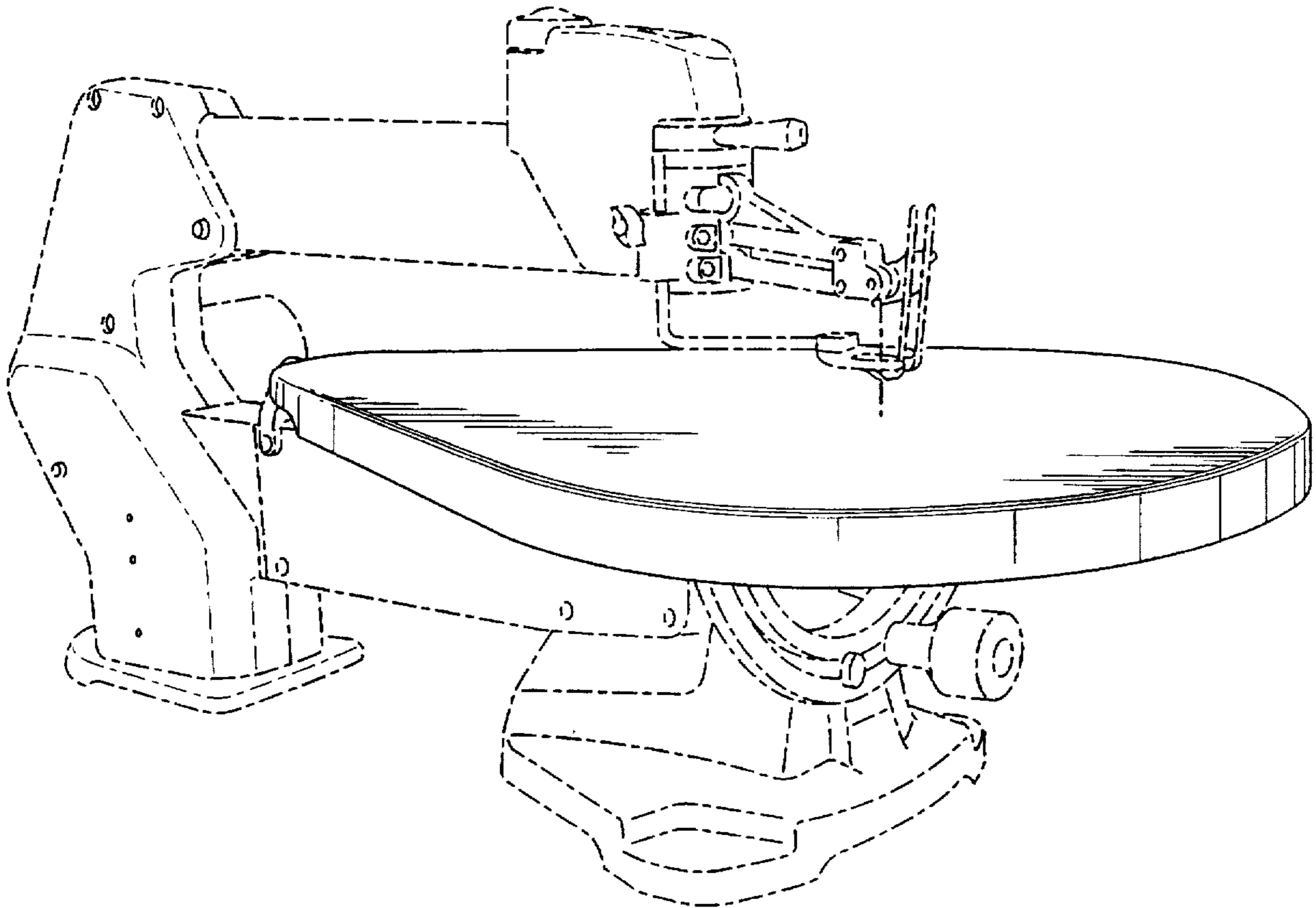
D. 327,279	6/1992	Brickner et al.	D15/133
D. 350,968	9/1994	Chang	D15/133
D. 366,881	2/1996	Eccardt et al.	D15/133

DESCRIPTION

FIG. 1 is a left side perspective view from the front of my new design of a table for a scroll saw;
FIG. 2 is a left side elevational view of my design;
FIG. 3 is a right side elevational view of my design;
FIG. 4 is a front elevational view of my design;
FIG. 5 is a rear elevational view of my design;
FIG. 6 is a top plan view of my design; and
FIG. 7 is a right side perspective view from the rear of my new design.

In the attached drawings, any broken line illustration is not part of the design sought to be patented.

1 Claim, 6 Drawing Sheets



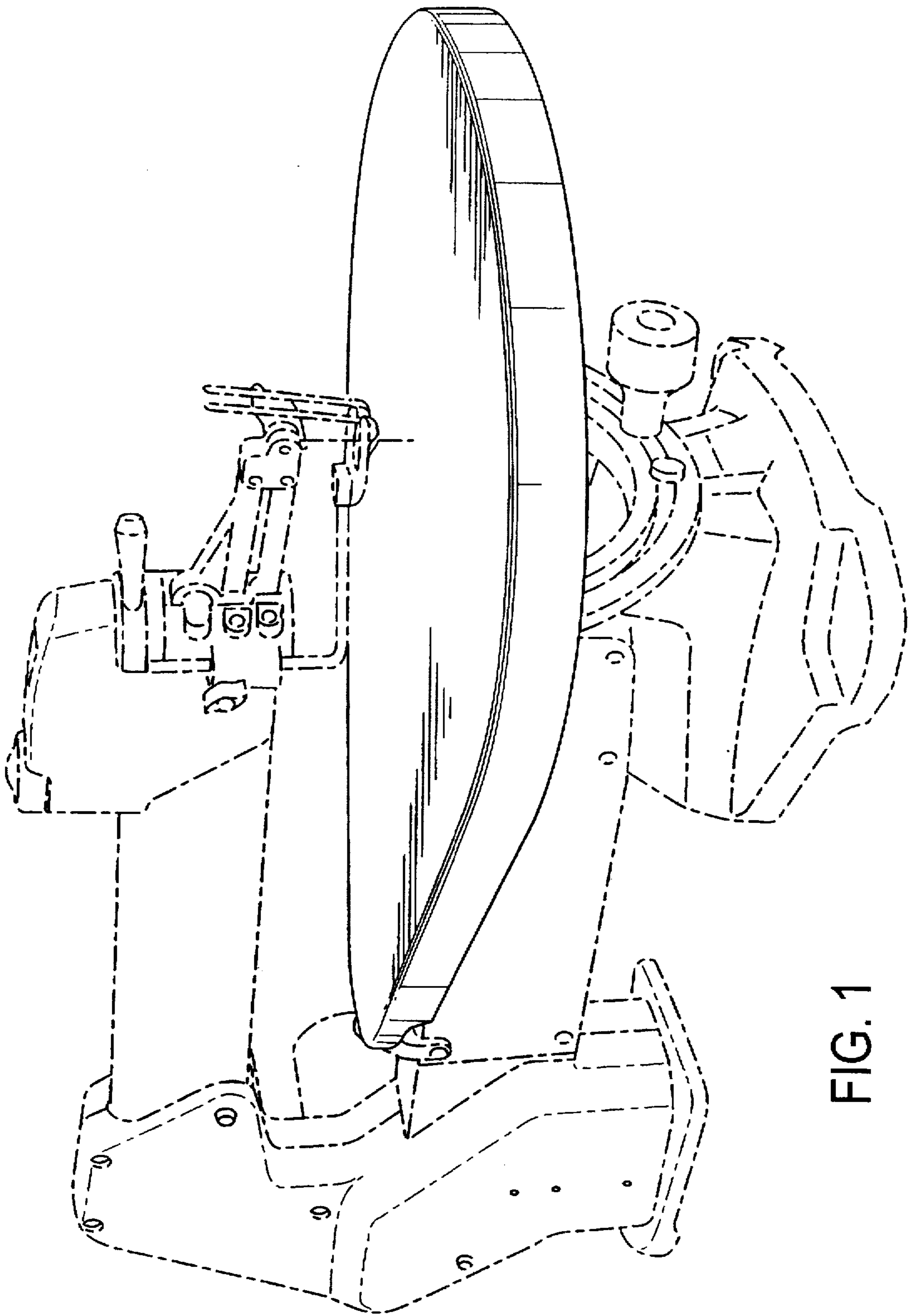


FIG. 1

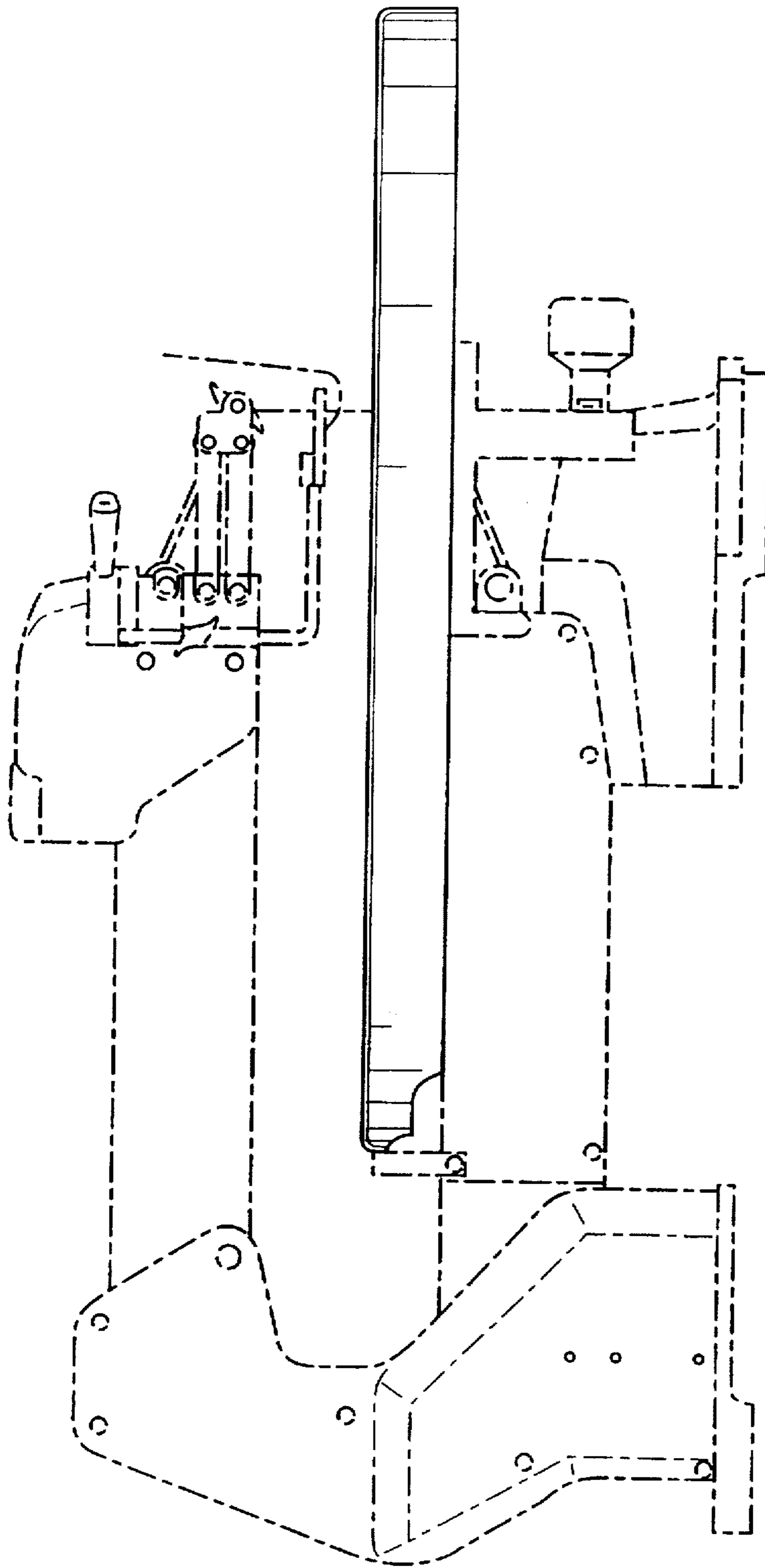


FIG. 2

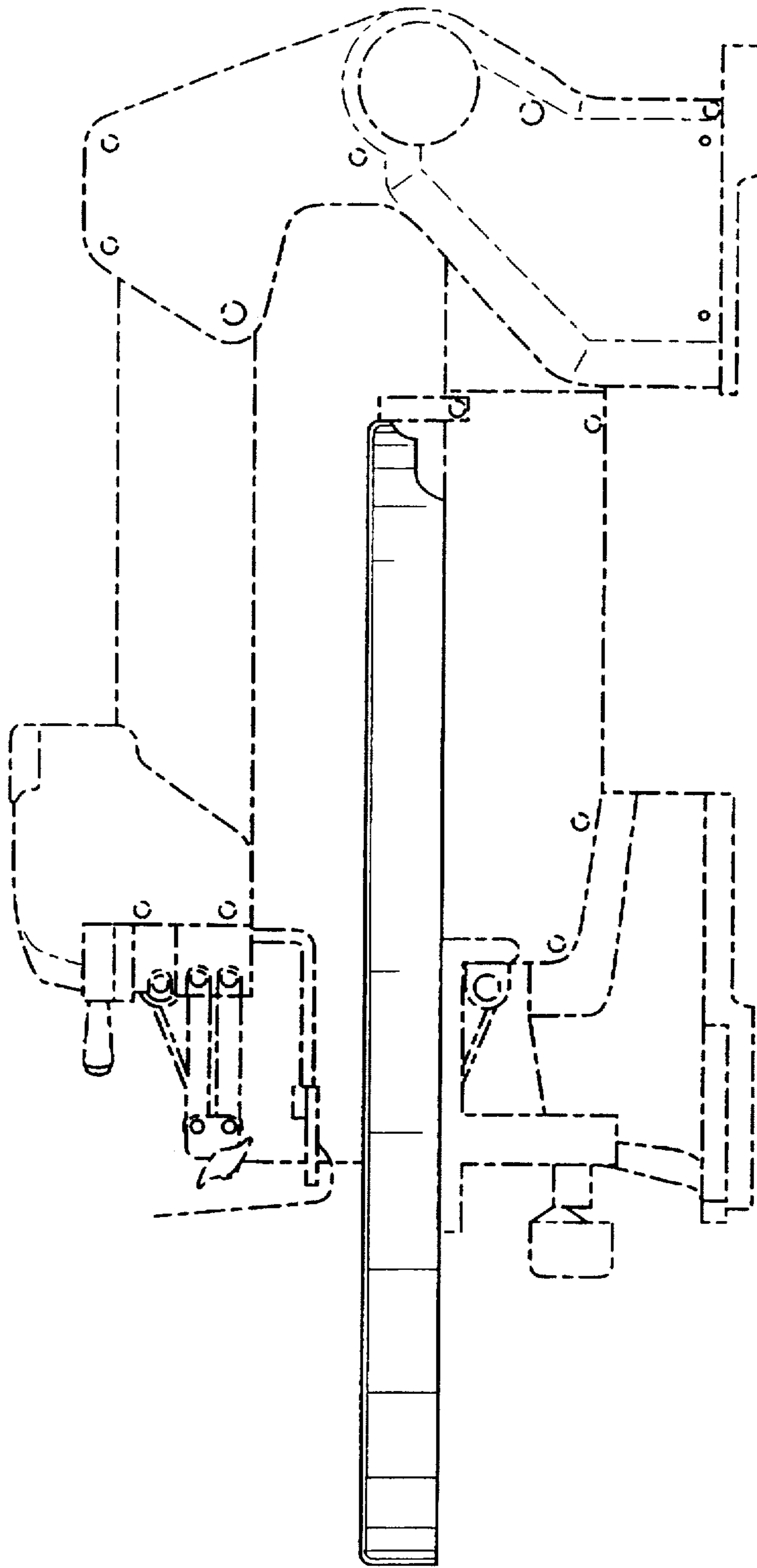


FIG. 3

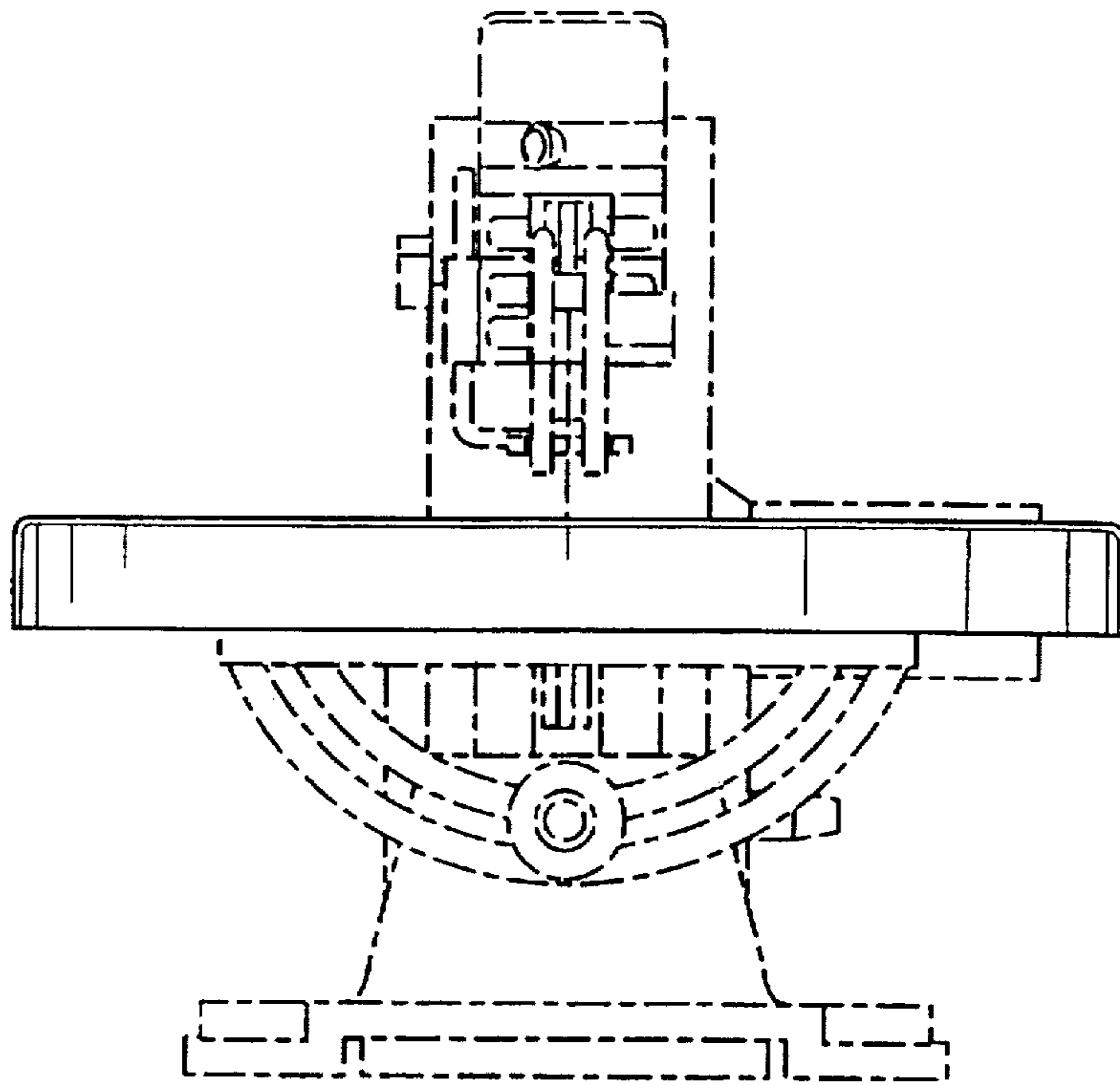


FIG. 4

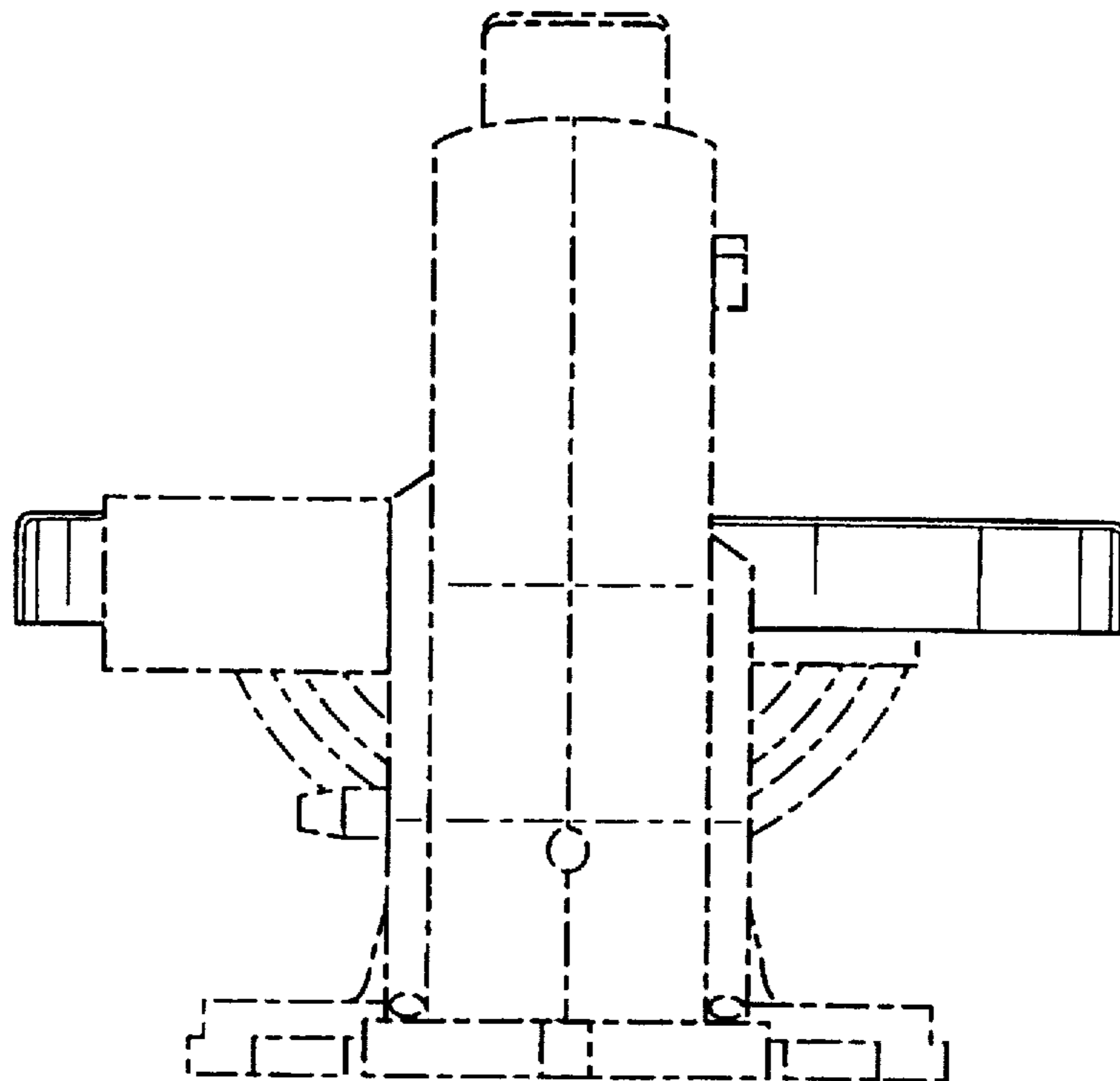


FIG. 5

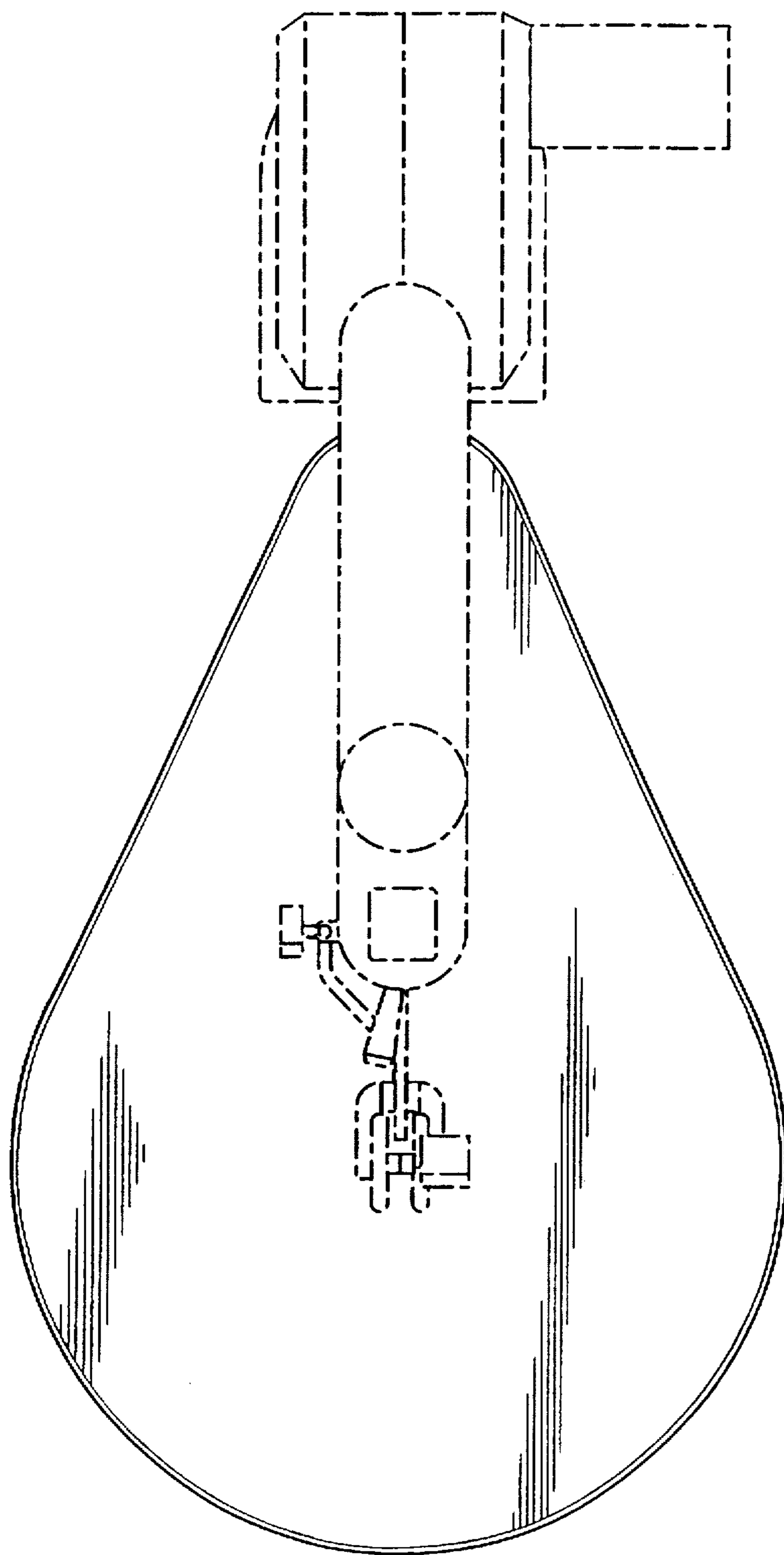


FIG. 6

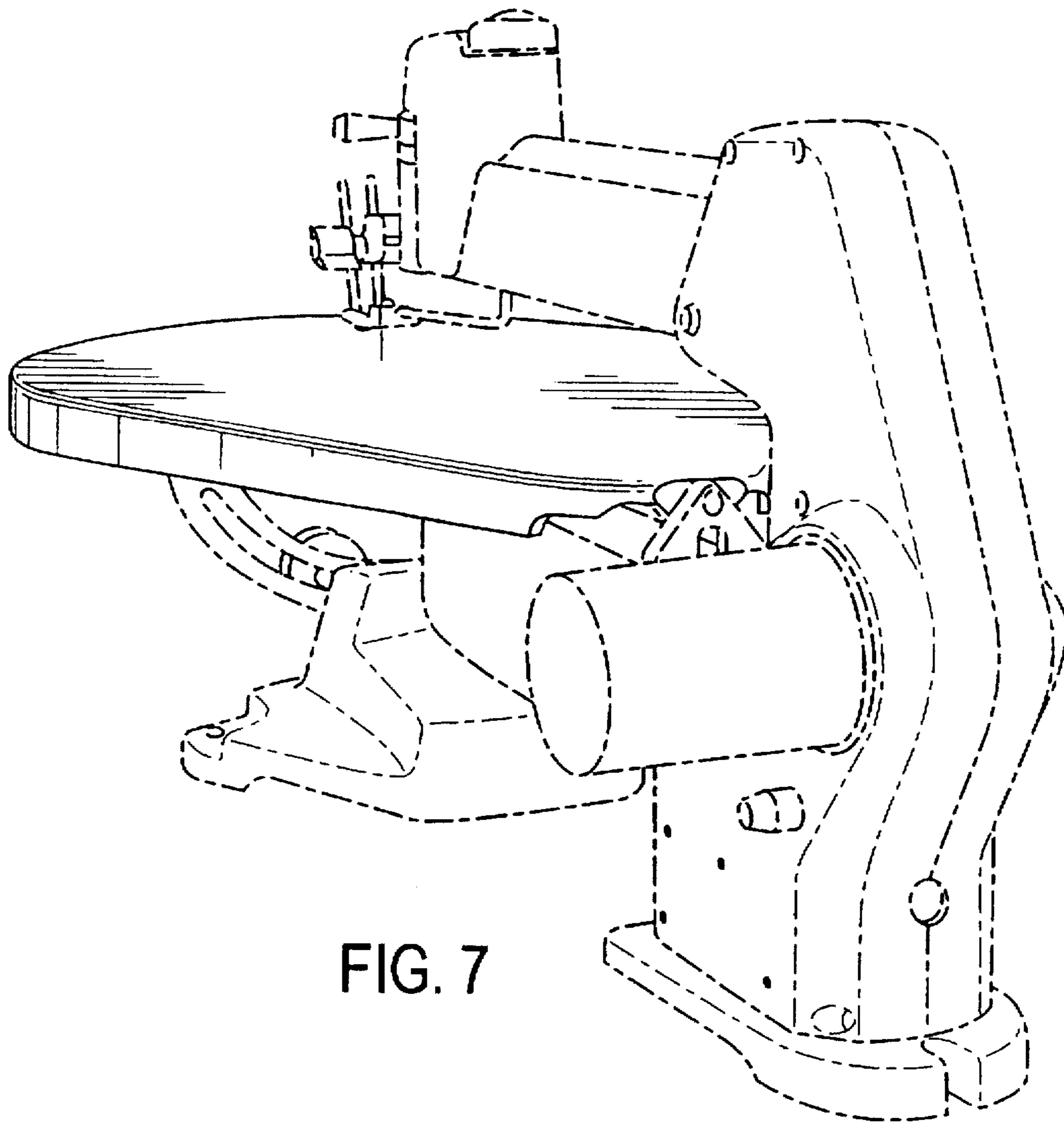


FIG. 7