



US00D397123S

United States Patent [19]
Hardy

[11] **Patent Number:** **Des. 397,123**
[45] **Date of Patent:** ****Aug. 18, 1998**

[54] **DENTAL HANDPIECE REPAIR PRESS**

4,485,541 12/1984 Seki 29/251

[76] **Inventor:** **Henry R. Hardy**, 923 Henderson St.,
Deltona, Fla. 32725

Primary Examiner—Antoine Duval Davis
Attorney, Agent, or Firm—William M. Hobby, III

[**] **Term:** **14 Years**

[57] **CLAIM**

[21] **Appl. No.:** **70,624**

The ornamental design for a dental handpiece repair press,
as shown and described.

[22] **Filed:** **May 12, 1997**

DESCRIPTION

[51] **LOC (6) Cl.** **15-09**

[52] **U.S. Cl.** **D15/128**

[58] **Field of Search** D15/128; 29/251,
29/252, 257, 260, 263, 280, 282, 283; 100/193,
237, 266, 288, 295

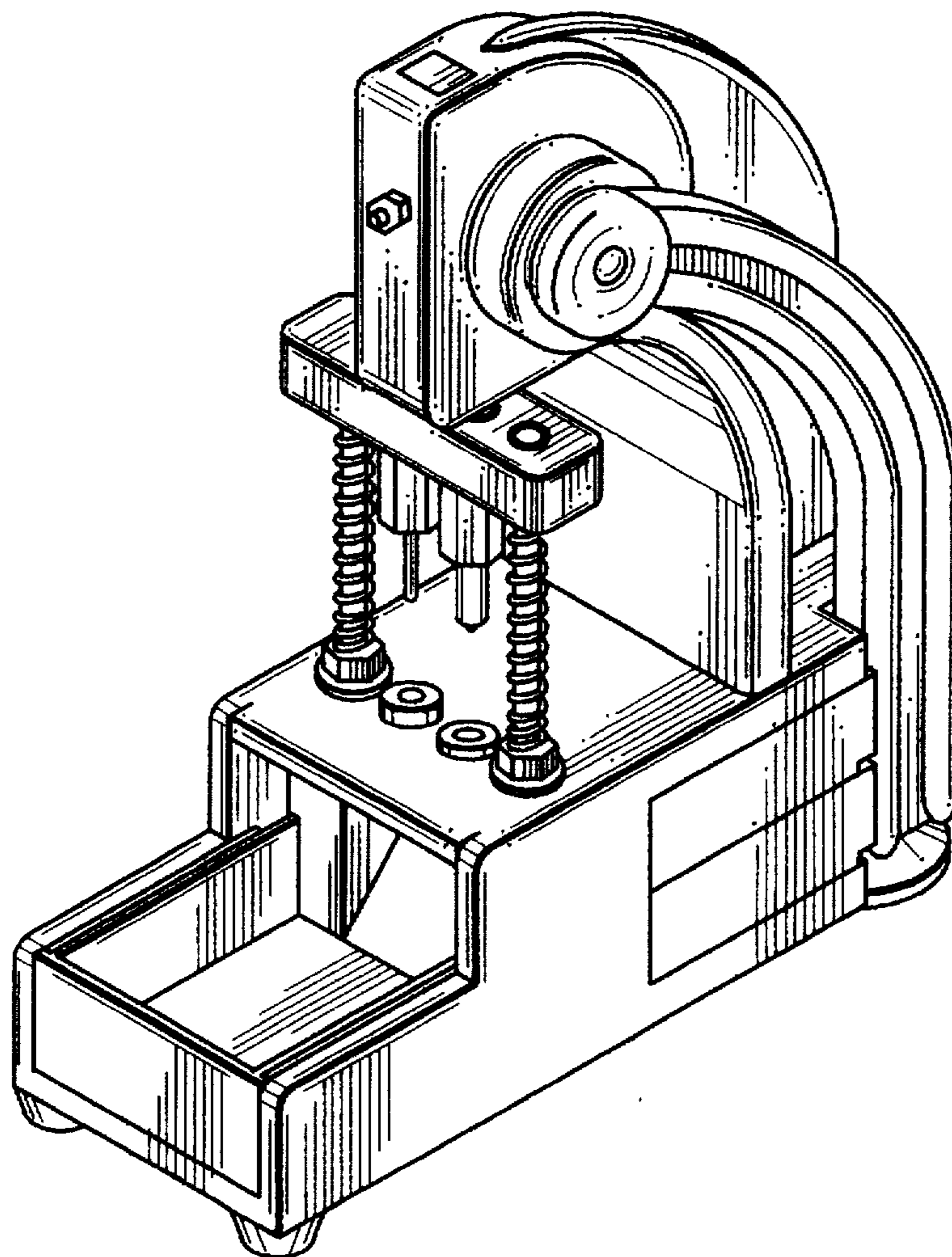
FIG. 1 is a front and right side perspective view of my new
dental handpiece repair press;
FIG. 2 is a front elevation;
FIG. 3 is a rear elevation;
FIG. 4 is a left side elevation;
FIG. 5 is a right side elevation;
FIG. 6 is a top plan view; and,
FIG. 7 is a bottom plan view.

[56] **References Cited**

U.S. PATENT DOCUMENTS

D. 361,578 8/1995 Wareham D15/128
3,157,112 11/1964 Truhon 29/251

1 Claim, 2 Drawing Sheets



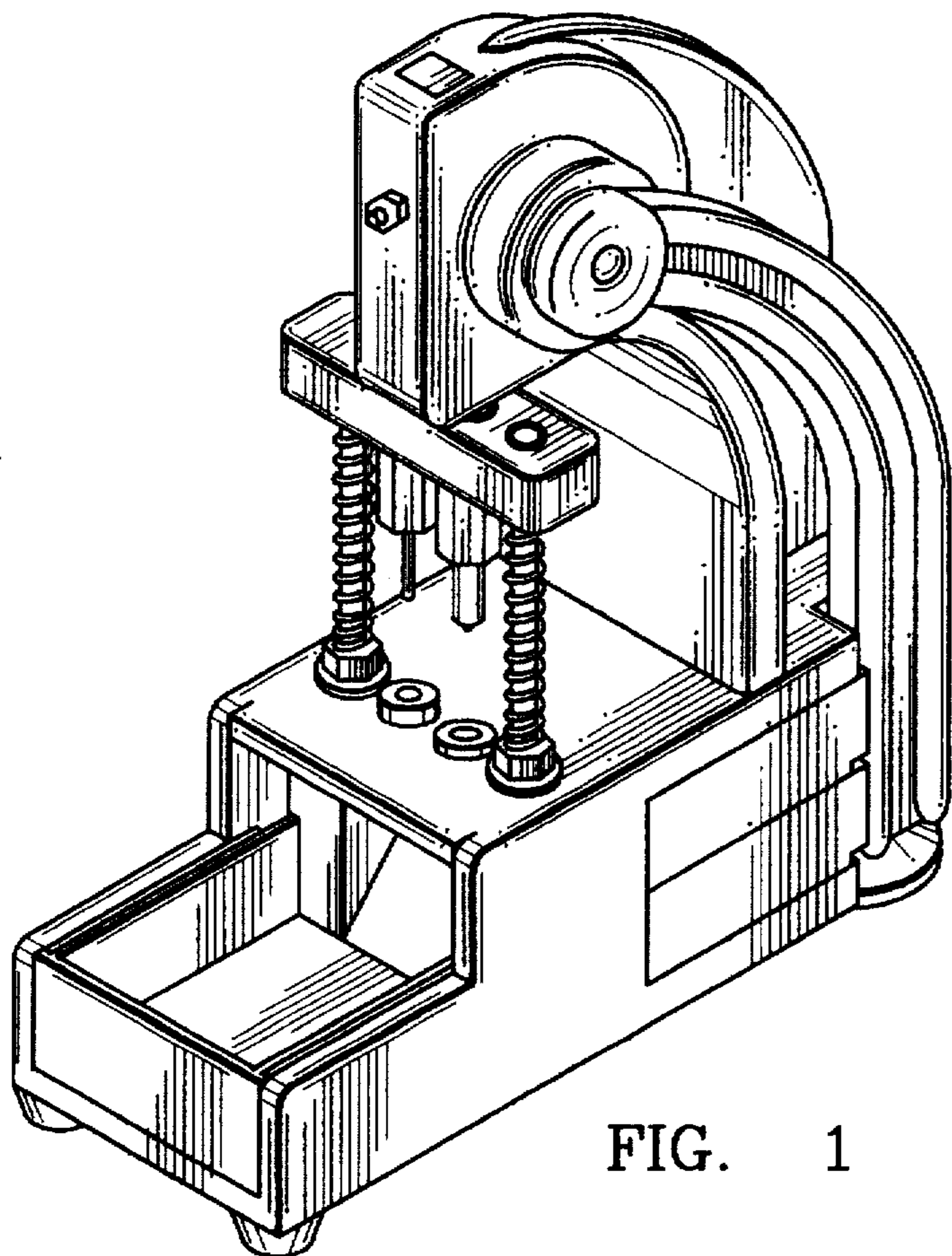


FIG. 1

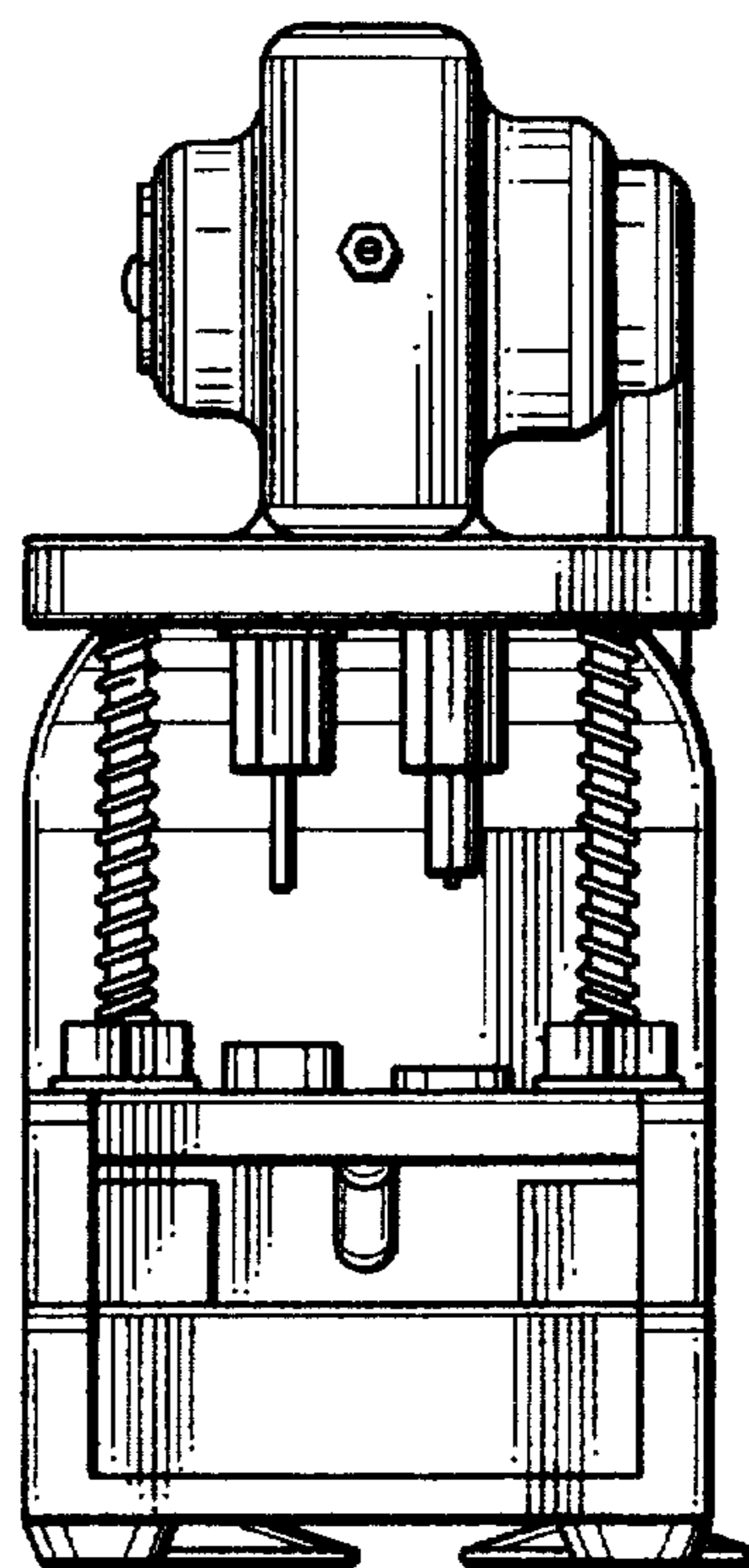


FIG. 2

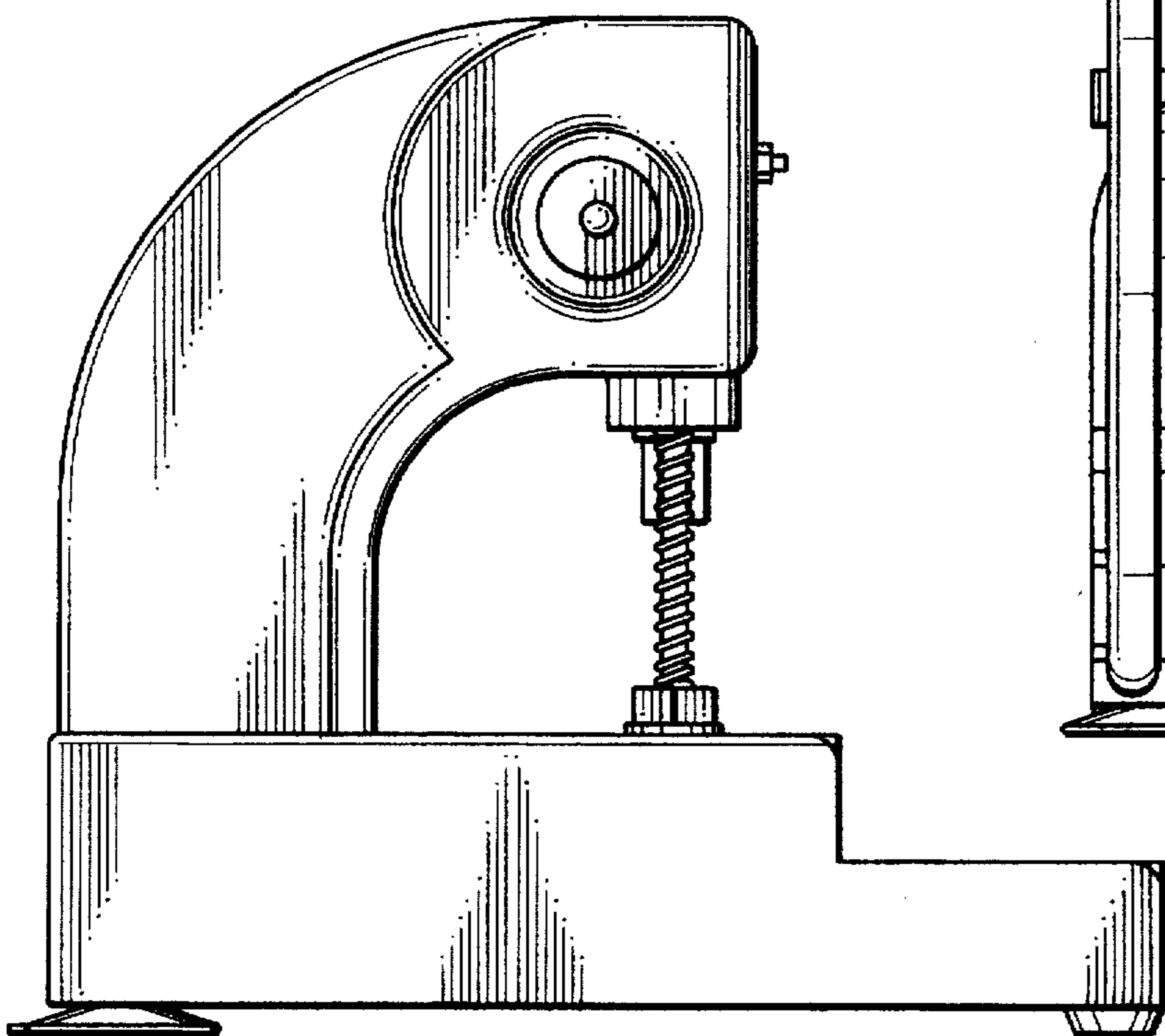


FIG. 3

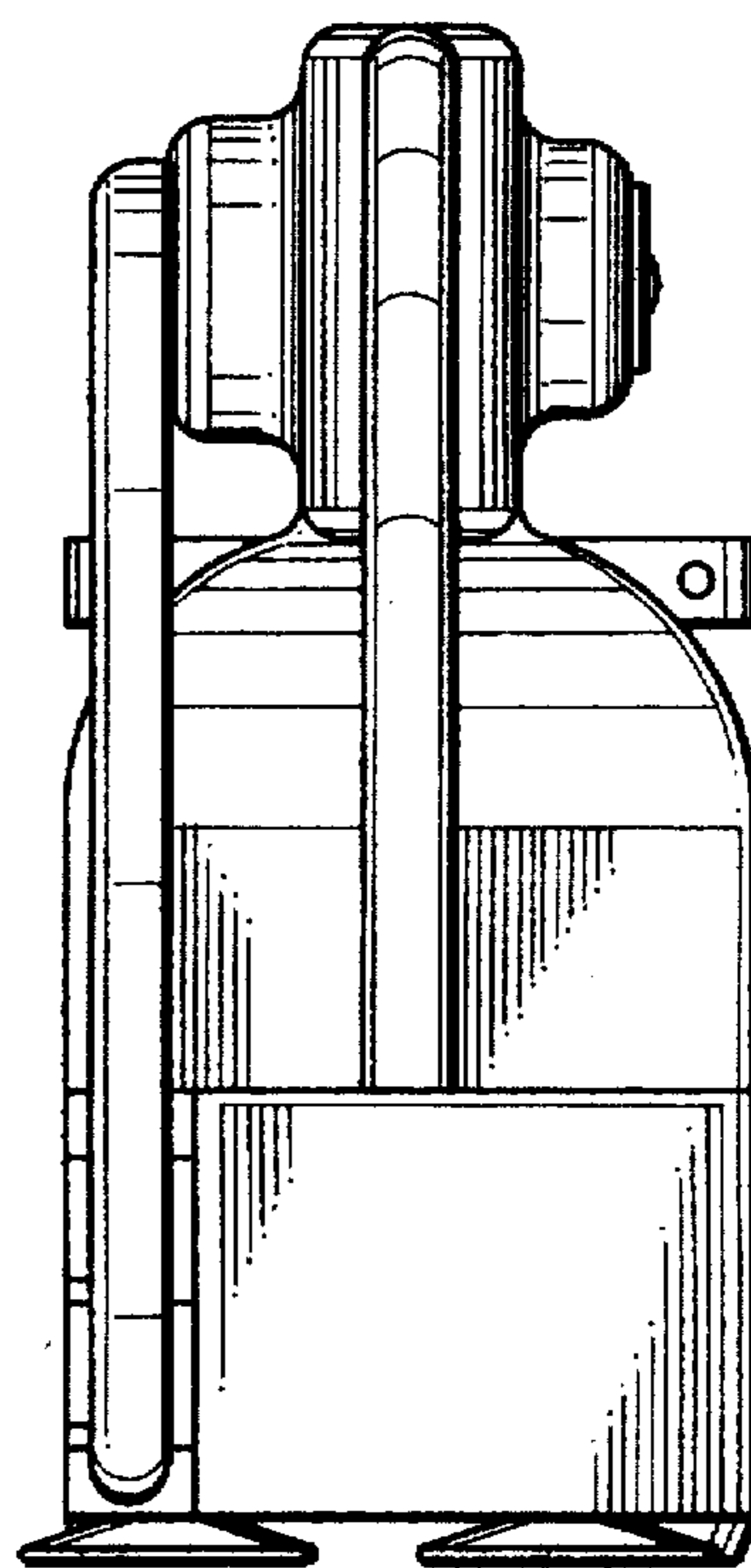


FIG. 4

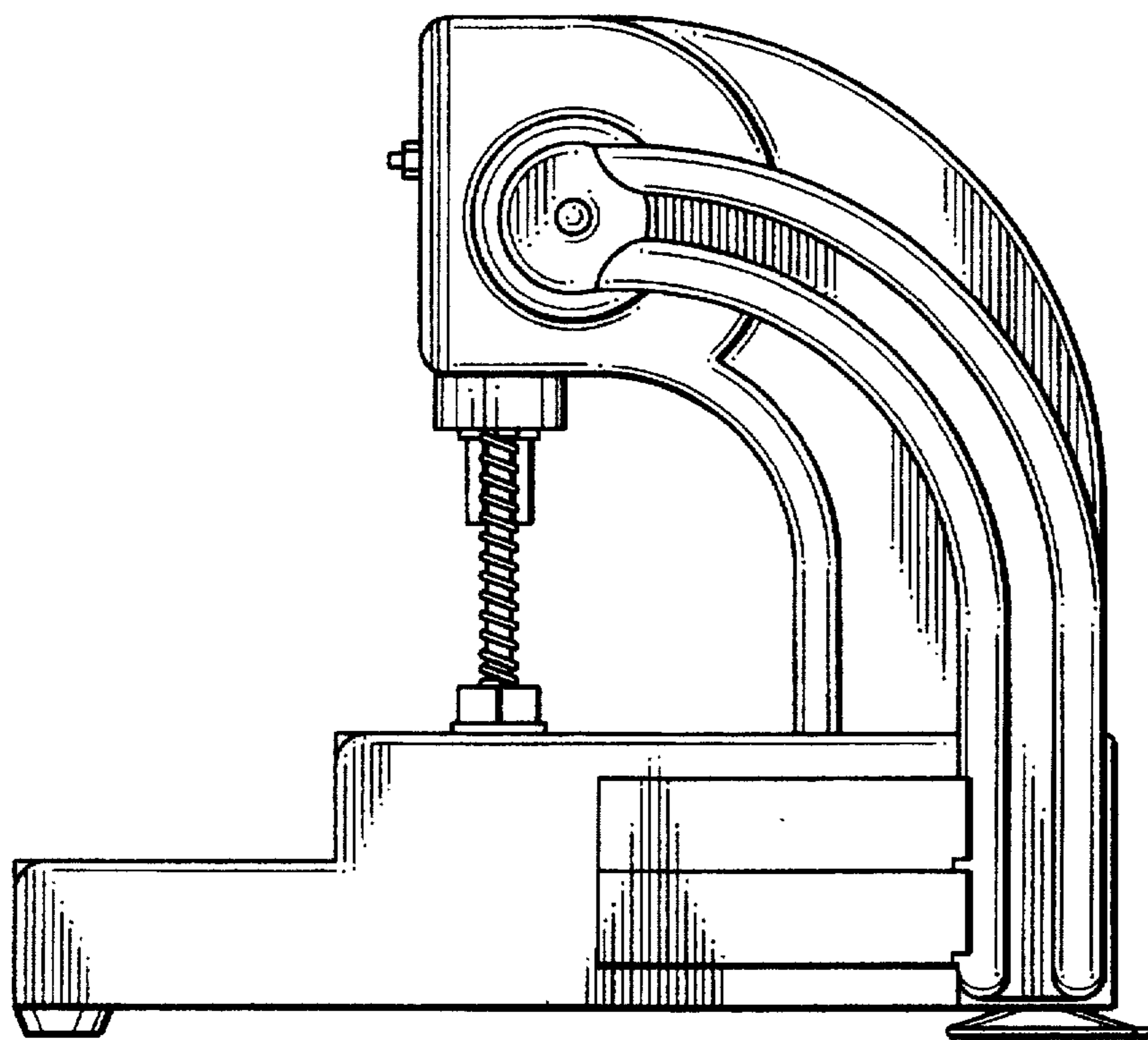


FIG. 5

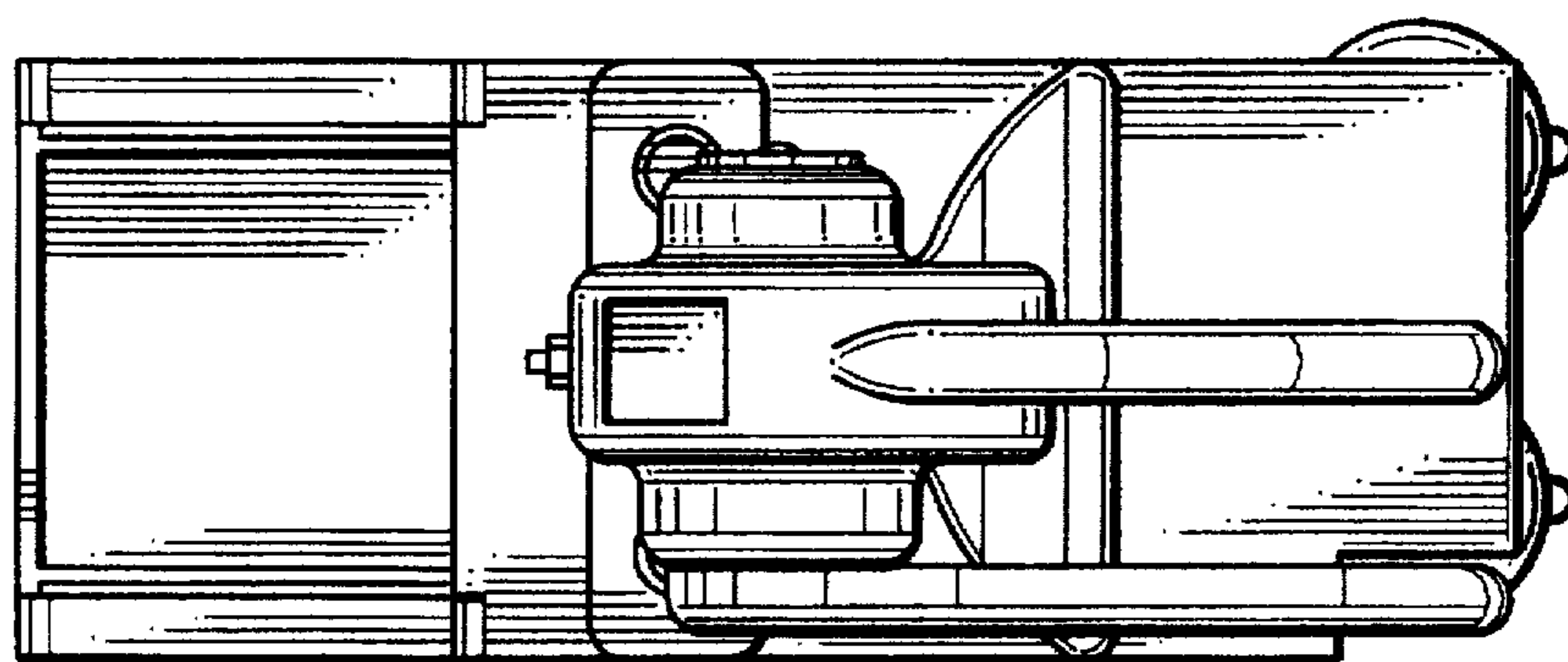


FIG. 6

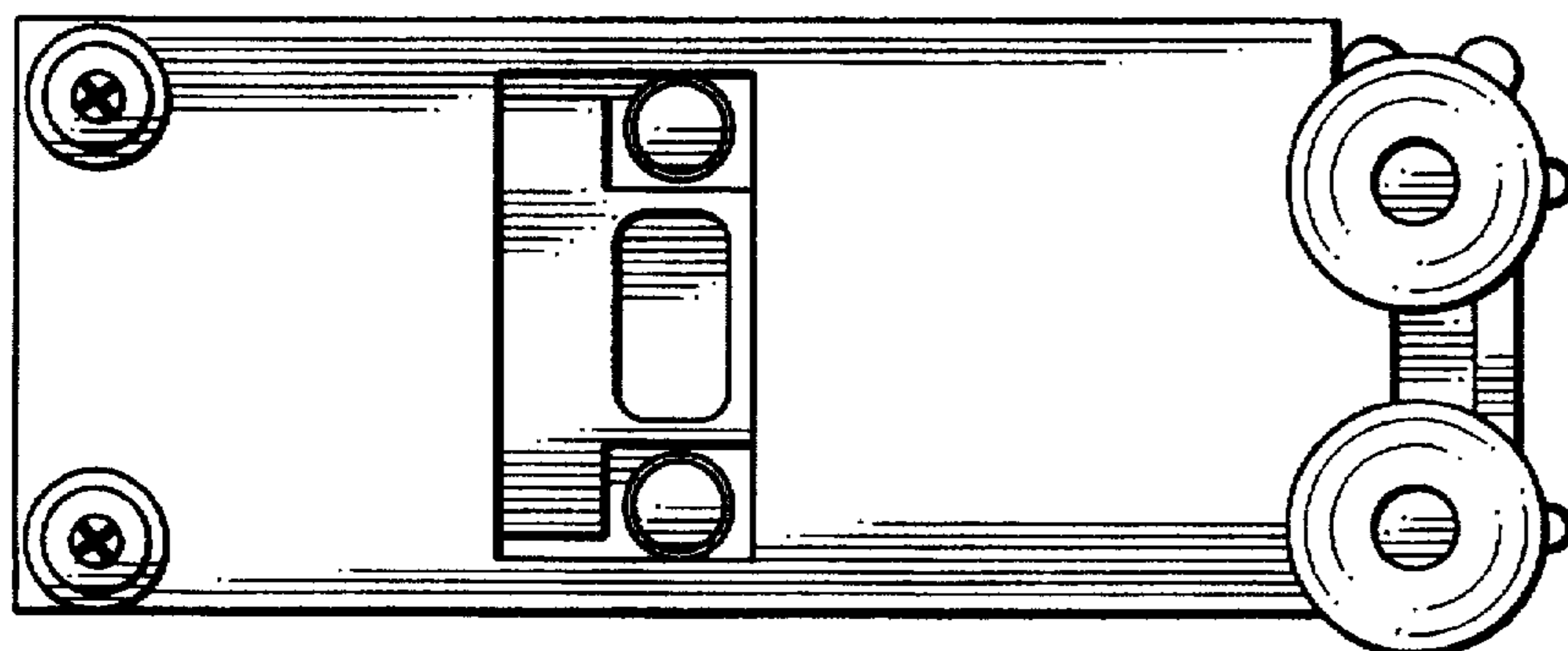


FIG. 7