



US00D397122S

**United States Patent** [19]  
**Welsh**

[11] **Patent Number: Des. 397,122**

[45] **Date of Patent: \*\*Aug. 18, 1998**

[54] **PLANER**

[75] **Inventor: Robert P. Welsh, Hunt Valley, Md.**

[73] **Assignee: Black & Decker Inc., Newark, Del.**

[\*\*] **Term: 14 Years**

[21] **Appl. No.: 81,850**

[22] **Filed: Dec. 15, 1997**

D. 300,933	5/1989	Gemmani .....	D15/133
D. 305,606	1/1990	Cavedo .....	D15/133
D. 306,171	2/1990	Kronthaler .....	D15/133
D. 307,592	5/1990	Monobe et al. ....	D15/133
D. 311,192	10/1990	Juang .....	D15/133
D. 322,258	12/1991	Monobe .....	D15/133
D. 323,833	2/1992	Brickner .....	D15/133
D. 323,834	2/1992	Fashiya et al. ....	D15/133
D. 326,667	6/1992	Juang .....	D15/127
D. 340,060	10/1993	Emerich .....	D15/127
D. 370,018	5/1996	Jedlicka et al. ....	D15/127
3,718,168	2/1973	Berends .....	D15/127 X

**Related U.S. Application Data**

[63] Continuation of Ser. No. 65,049, Jan. 17, 1997, which is a continuation of Ser. No. 62,168, Nov. 8, 1996, Pat. No. Des. 387,070.

[51] **LOC (6) Cl. .... 15-09**

[52] **U.S. Cl. .... D15/127**

[58] **Field of Search .... D15/124-127;**  
144/112.1, 114.1, 117 R, 114 R, 124-127 A,  
154.5, 129, 130, 218, 225, 228, 230, 242.5,  
245.1, 246.1, 250.2, 253.2, 253.8, 253.5,  
252.1, 375; 408/115 R, 241 S; 409/175,  
181; 606/79, 88, 172

*Primary Examiner—Antoine Duval Davis*  
*Attorney, Agent, or Firm—Adan Ayala*

[57] **CLAIM**

The ornamental design for a planer, as shown and described.

**DESCRIPTION**

FIG. 1 is a left side perspective view from the front of a first embodiment of a planer showing my new design;  
FIG. 2 is a top plan view of the first embodiment;  
FIG. 3 is a back elevational view of the first embodiment;  
FIG. 4 is a front elevational view of the first embodiment;  
FIG. 5 is a right side elevational view of the first embodiment;  
FIG. 6 is a left side elevational view of the first embodiment;  
FIG. 7 is a left side perspective view from the front of the first embodiment, shown in an alternate condition of use; and,  
FIG. 8 is a left side perspective view from the front of a second embodiment of a planer showing my new design with an installed knob.

[56] **References Cited**

**U.S. PATENT DOCUMENTS**

D. 267,406	12/1982	Glore .....	D15/133
D. 276,616	12/1984	Legler et al. ....	D15/133
D. 284,286	6/1986	Pioch et al. ....	D15/133
D. 285,083	8/1986	Miyamoto .....	D15/133
D. 285,448	9/1986	Hashii .....	D15/133
D. 286,536	11/1986	Beck et al. ....	D15/133
D. 299,146	12/1988	Pollack et al. ....	D15/133

**1 Claim, 7 Drawing Sheets**

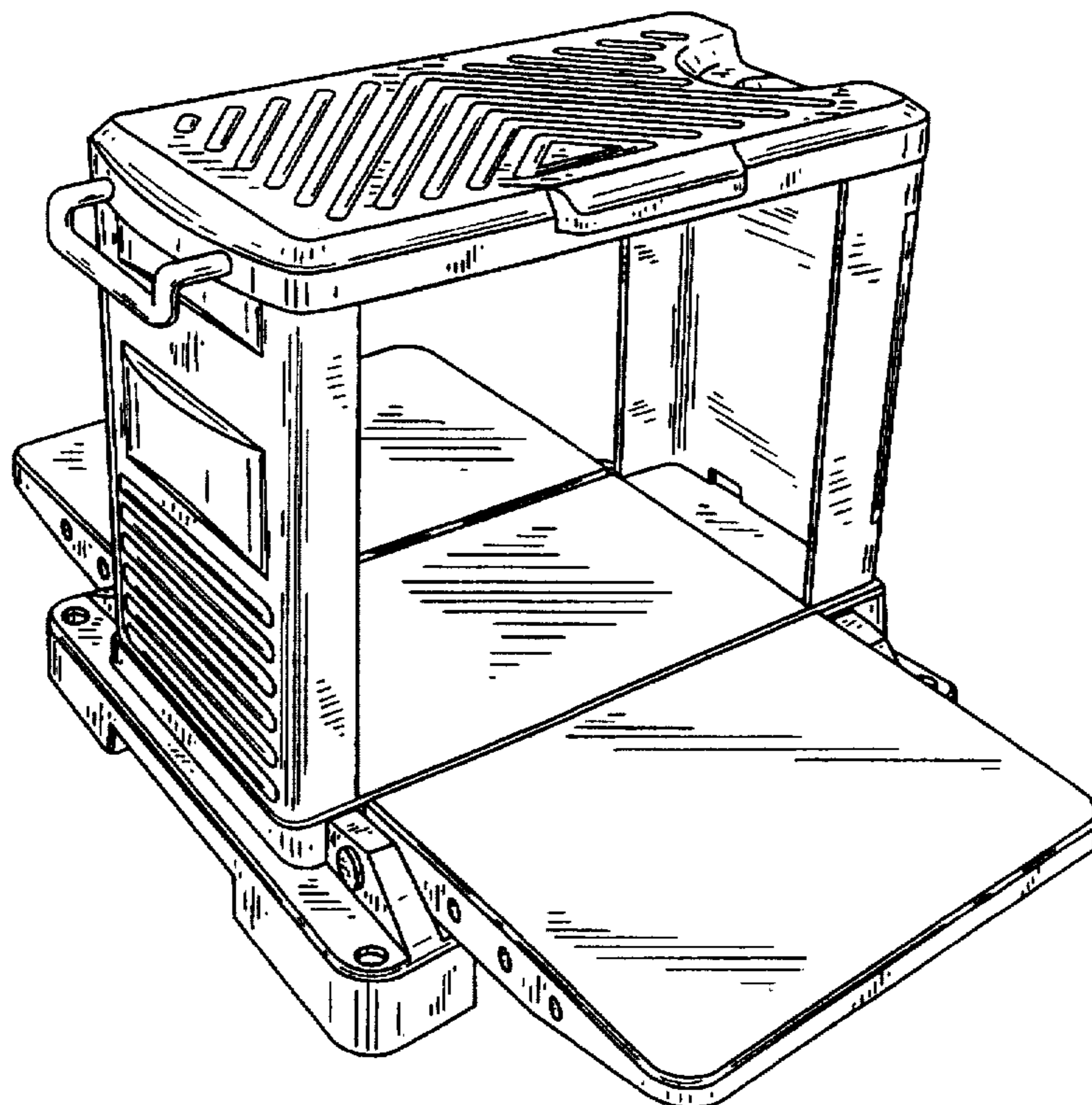


FIG. 1

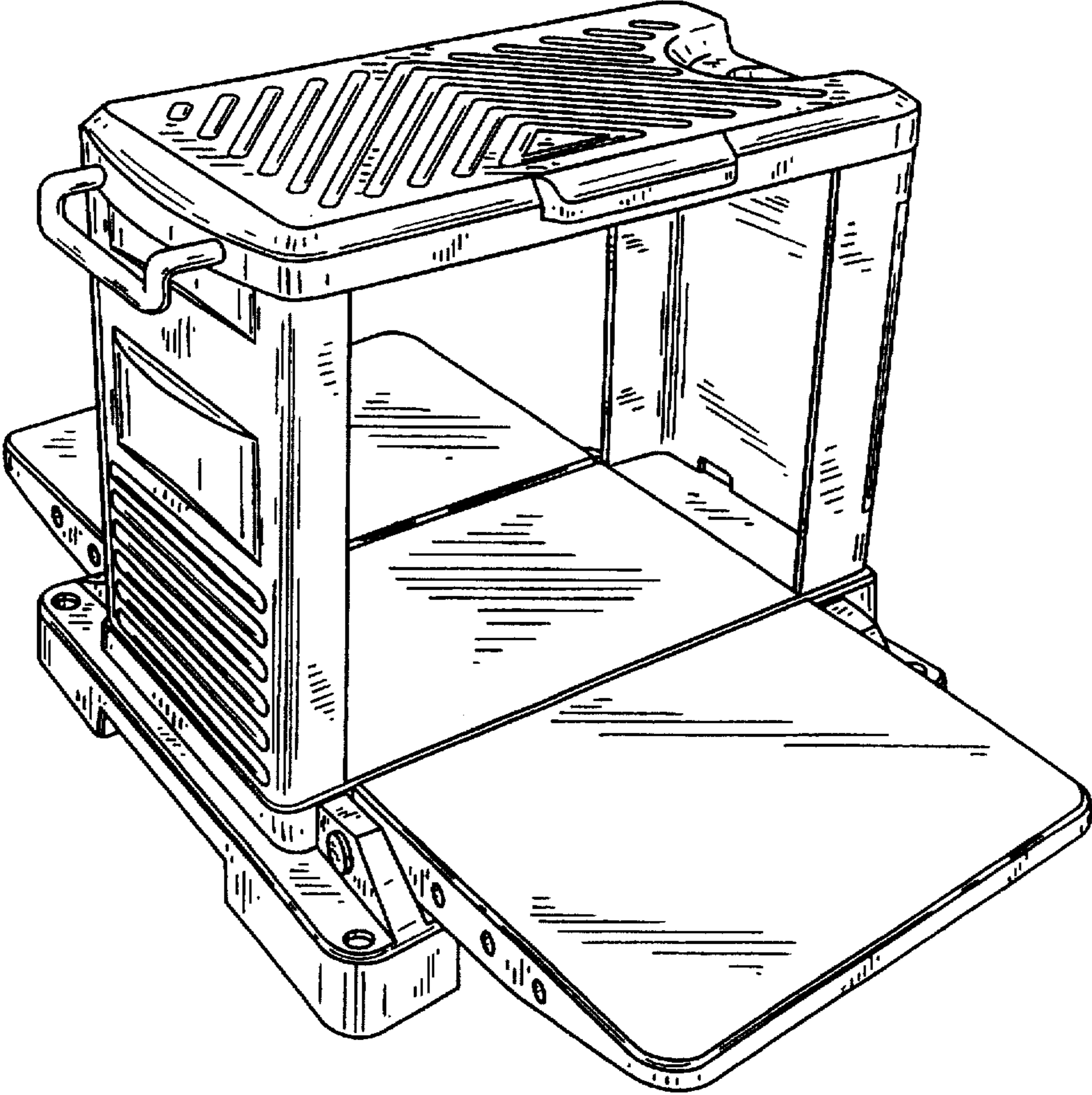


FIG. 2

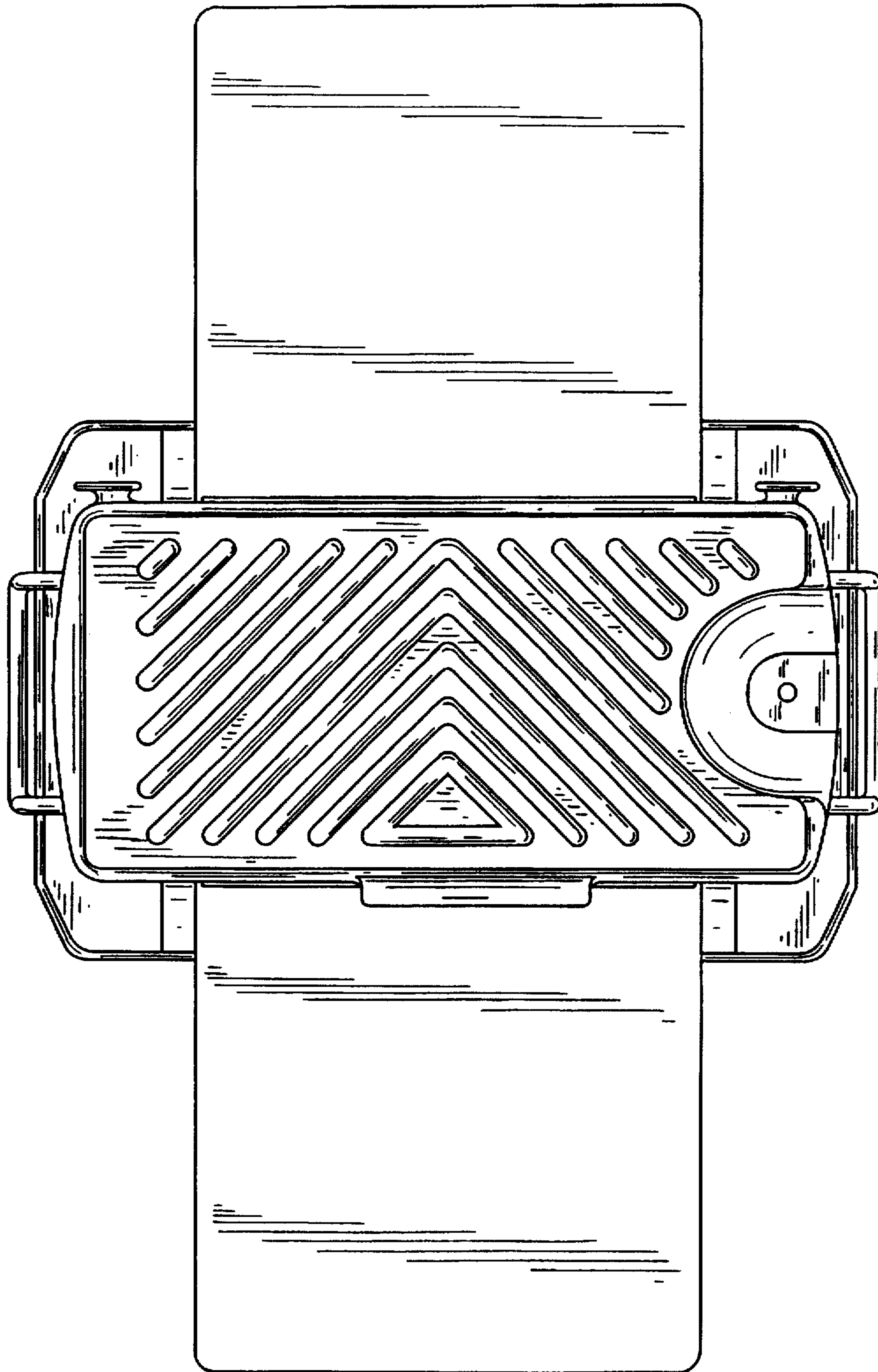


FIG. 3

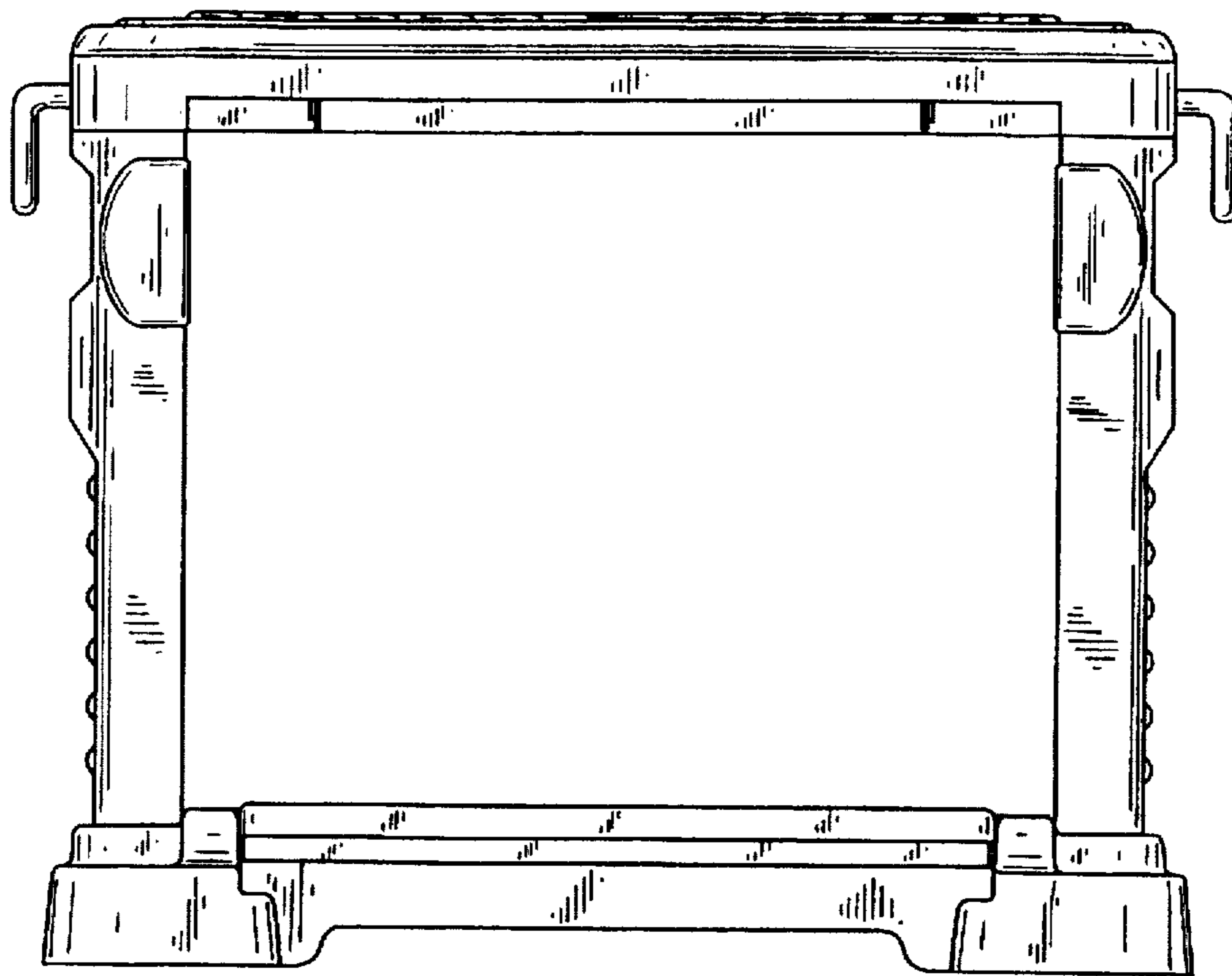


FIG. 4

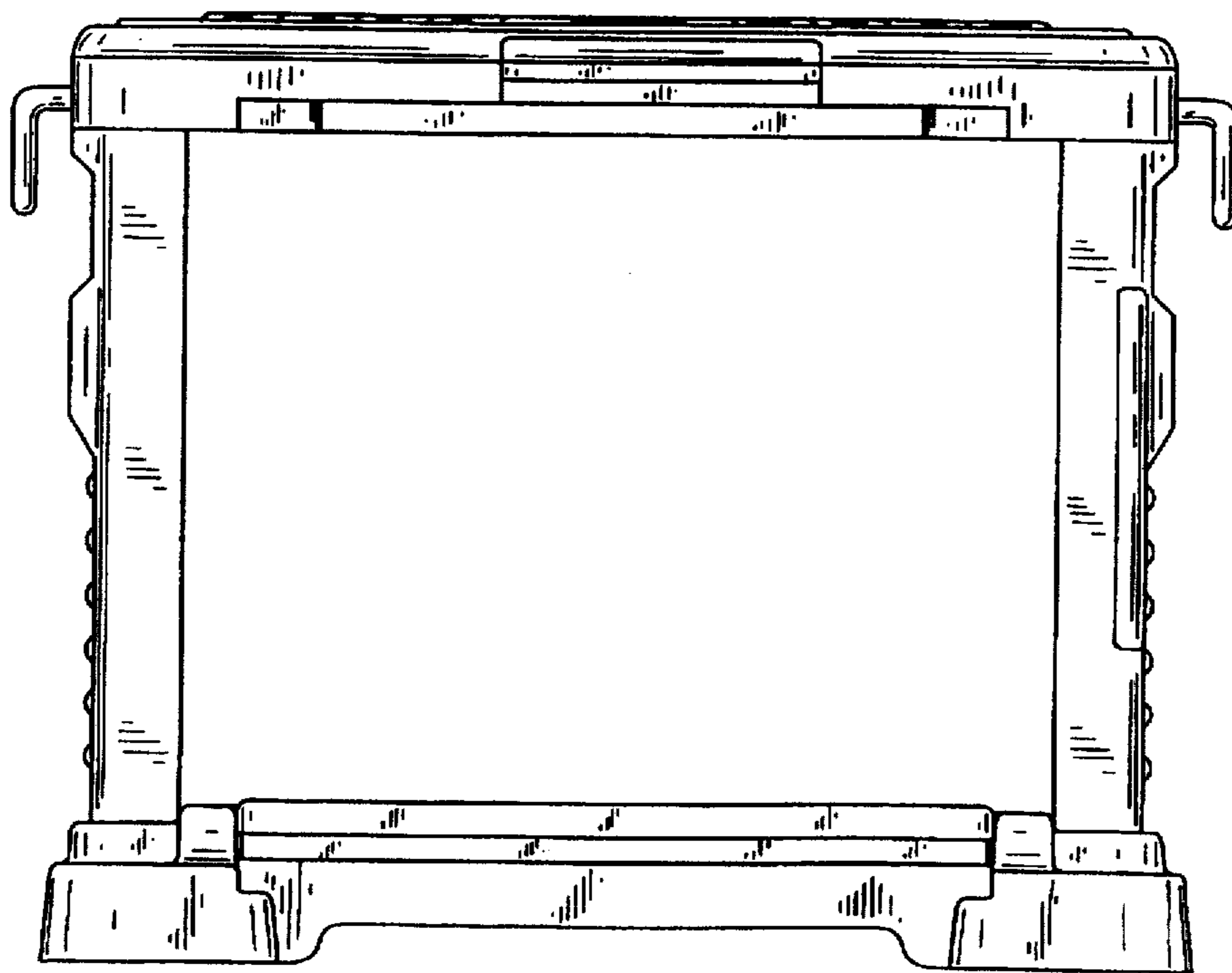


FIG. 5

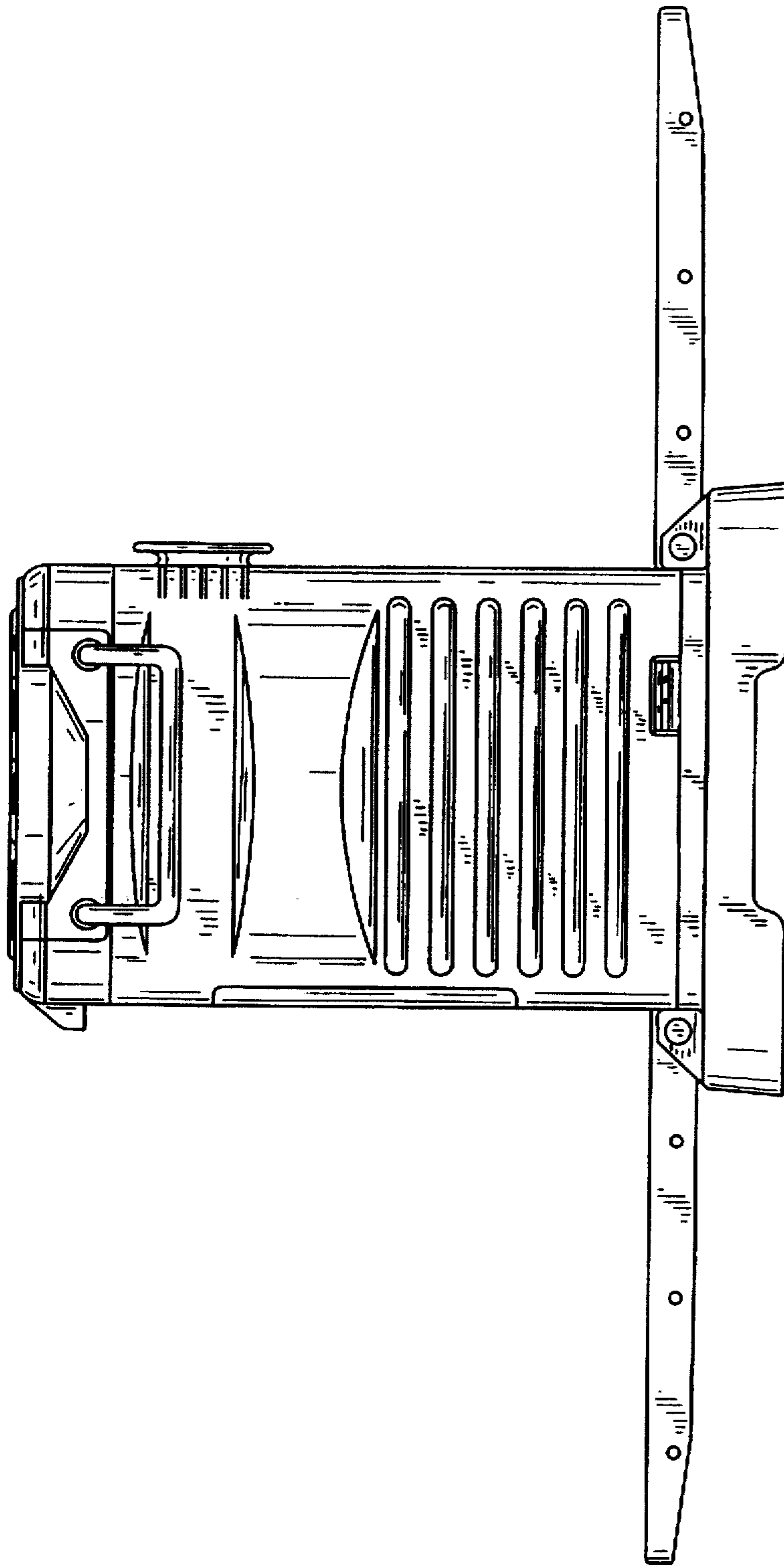


FIG. 6

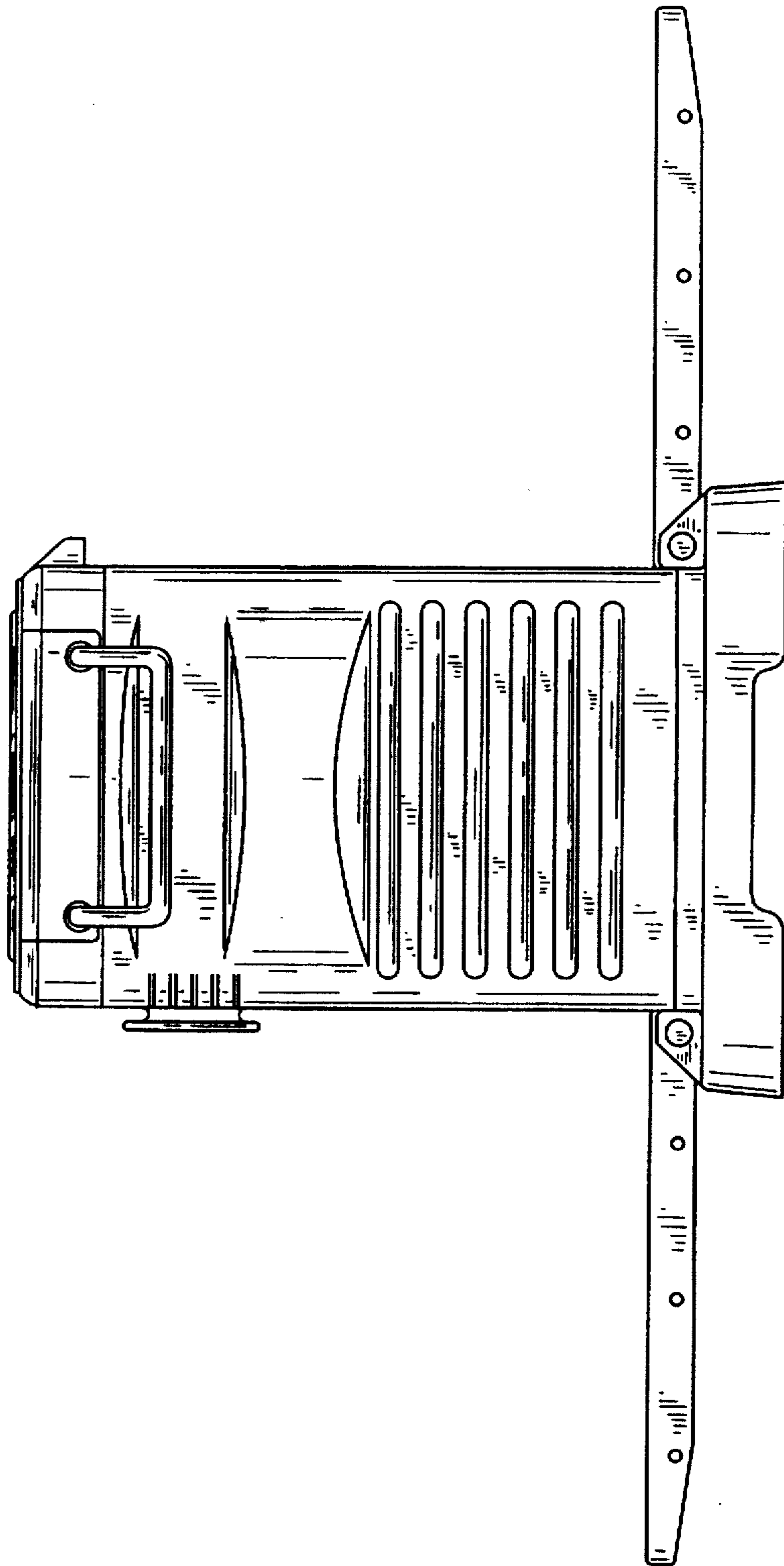


FIG. 7

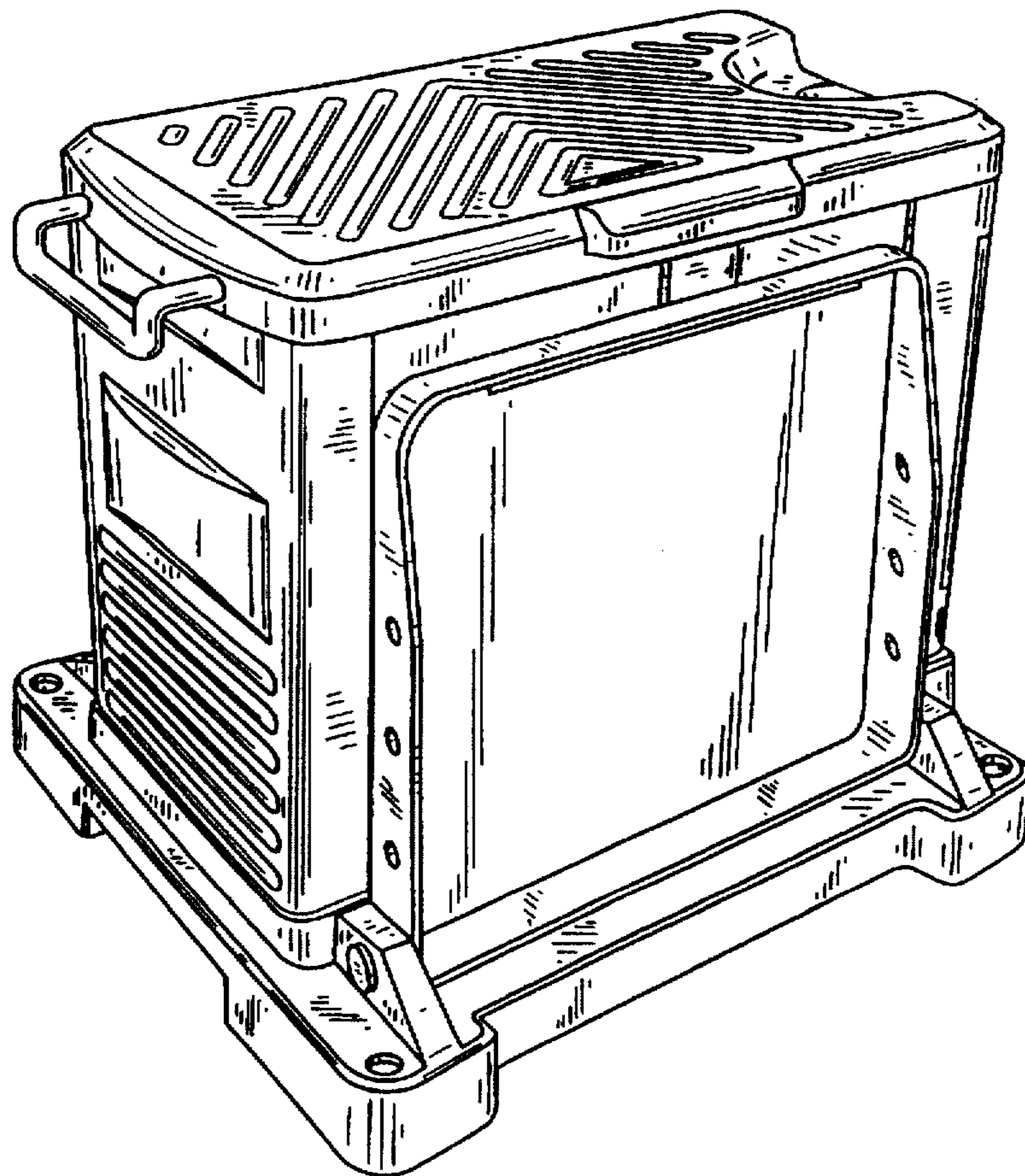


FIG. 8

