



US00D397121S

**United States Patent** [19]  
**Smith**

[11] **Patent Number: Des. 397,121**

[45] **Date of Patent: \*\*Aug. 18, 1998**

[54] **RIDING MOWER BODY PORTION**

D. 340,936 11/1993 Matsuda et al. .... D15/15  
D. 362,447 9/1995 Lamb ..... D15/15

[75] **Inventor: Kenneth R. Smith, Medina, Ohio**

*Primary Examiner*—Sandra L. Morris

[73] **Assignee: MTD Products Inc., Cleveland, Ohio**

[57] **CLAIM**

[\*\*] **Term: 14 Years**

The ornamental design for a riding mower body portion, as shown and described.

[21] **Appl. No.: 71,120**

**DESCRIPTION**

[22] **Filed: May 21, 1997**

FIG. 1 is a right side perspective view of a riding mower body portion, showing my new design; the broken line showing of the mower is for illustrative purposes only, and forms no part of the claimed design;  
FIG. 2 is a top plan view thereof;  
FIG. 3 is a front view thereof;  
FIG. 4 is a rear view thereof;  
FIG. 5 is a right side elevational view thereof; and,  
FIG. 6 is a left side elevational view thereof.  
FIGS. 2-6 are shown on an enlarged scale.

[51] **LOC (6) Cl. .... 15-03**

[52] **U.S. Cl. .... D15/15; D15/33**

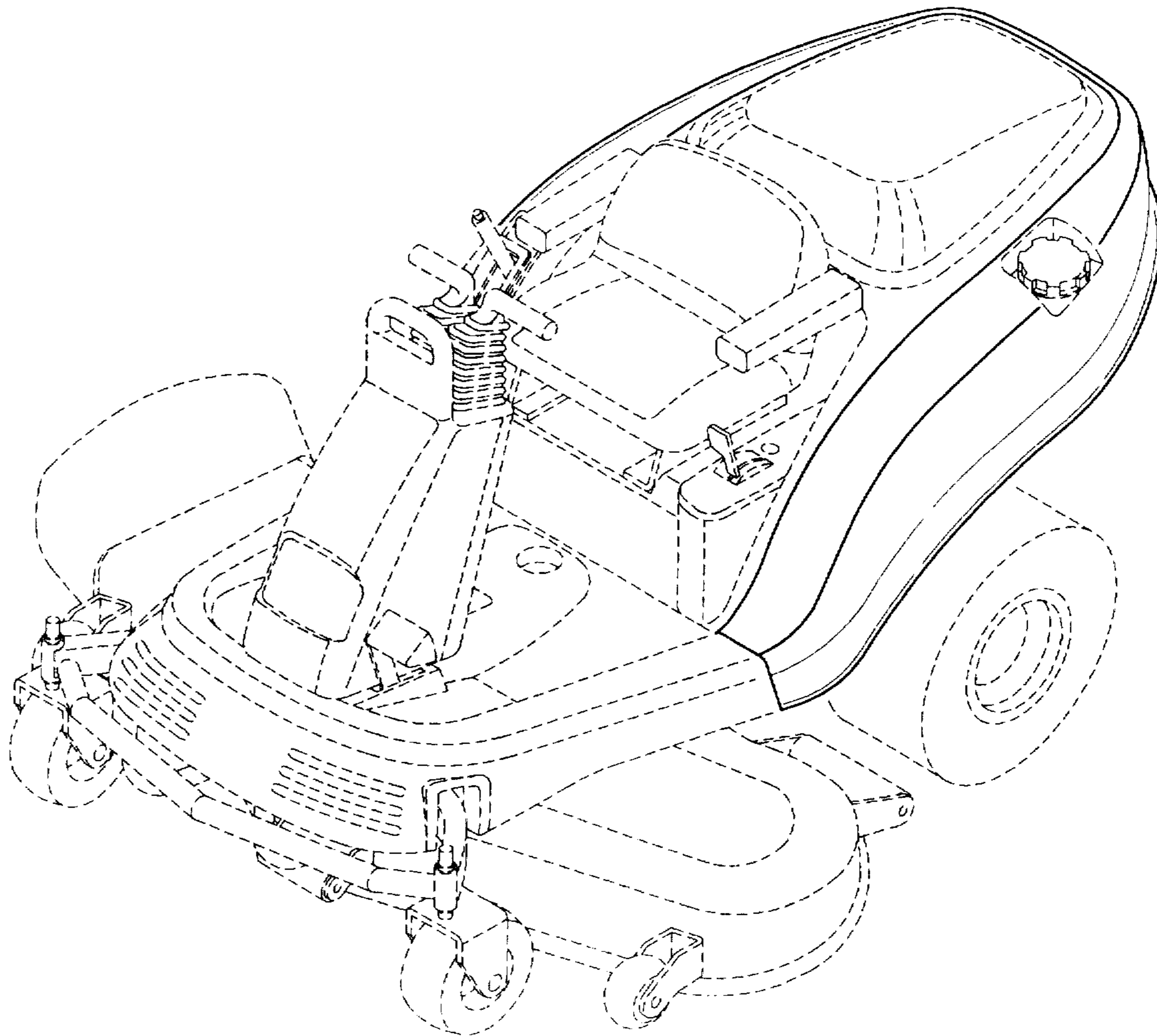
[58] **Field of Search .... D15/10, 14-17, D15/22, 28, 33; 56/12.1, 12.7, 12.8, 13.4, 13.7, 16.7, 17.1, 17.5, 202, 255, 320.1-320.2**

[56] **References Cited**

**U.S. PATENT DOCUMENTS**

D. 218,633 9/1970 Schreckengost ..... D15/17  
D. 340,461 10/1993 Patterson et al. .... D15/15

**1 Claim, 4 Drawing Sheets**



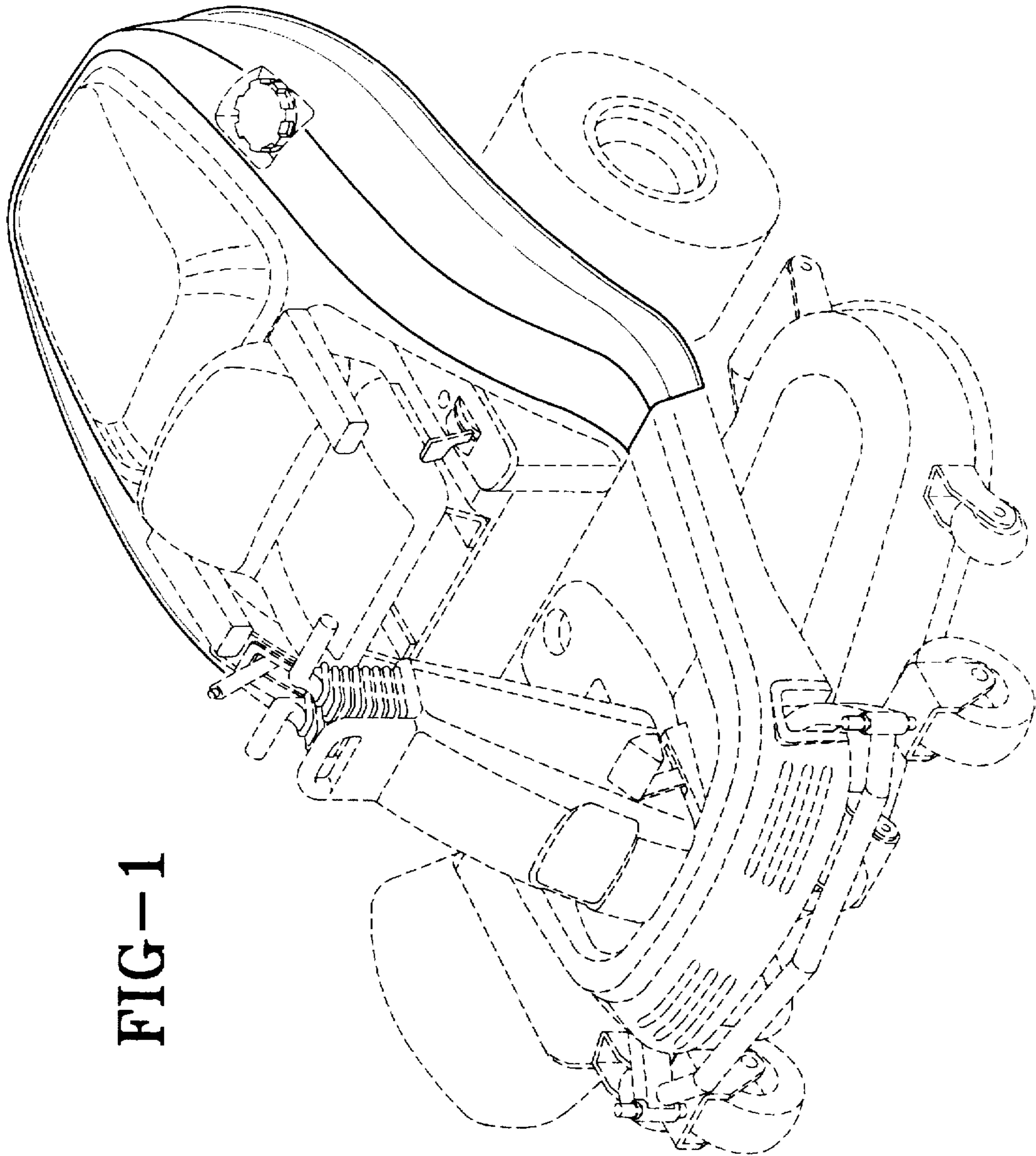


FIG-1

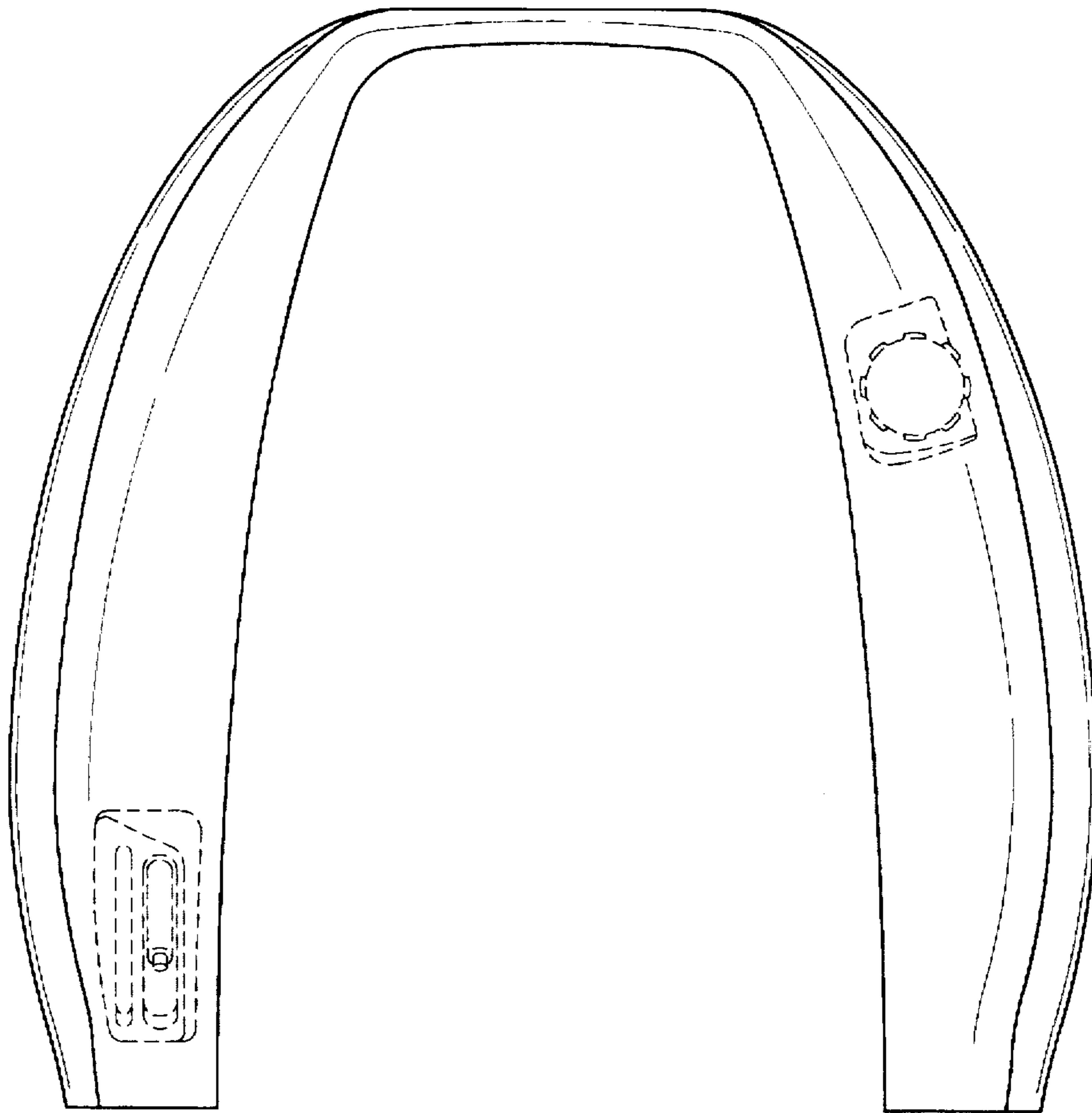


FIG-2

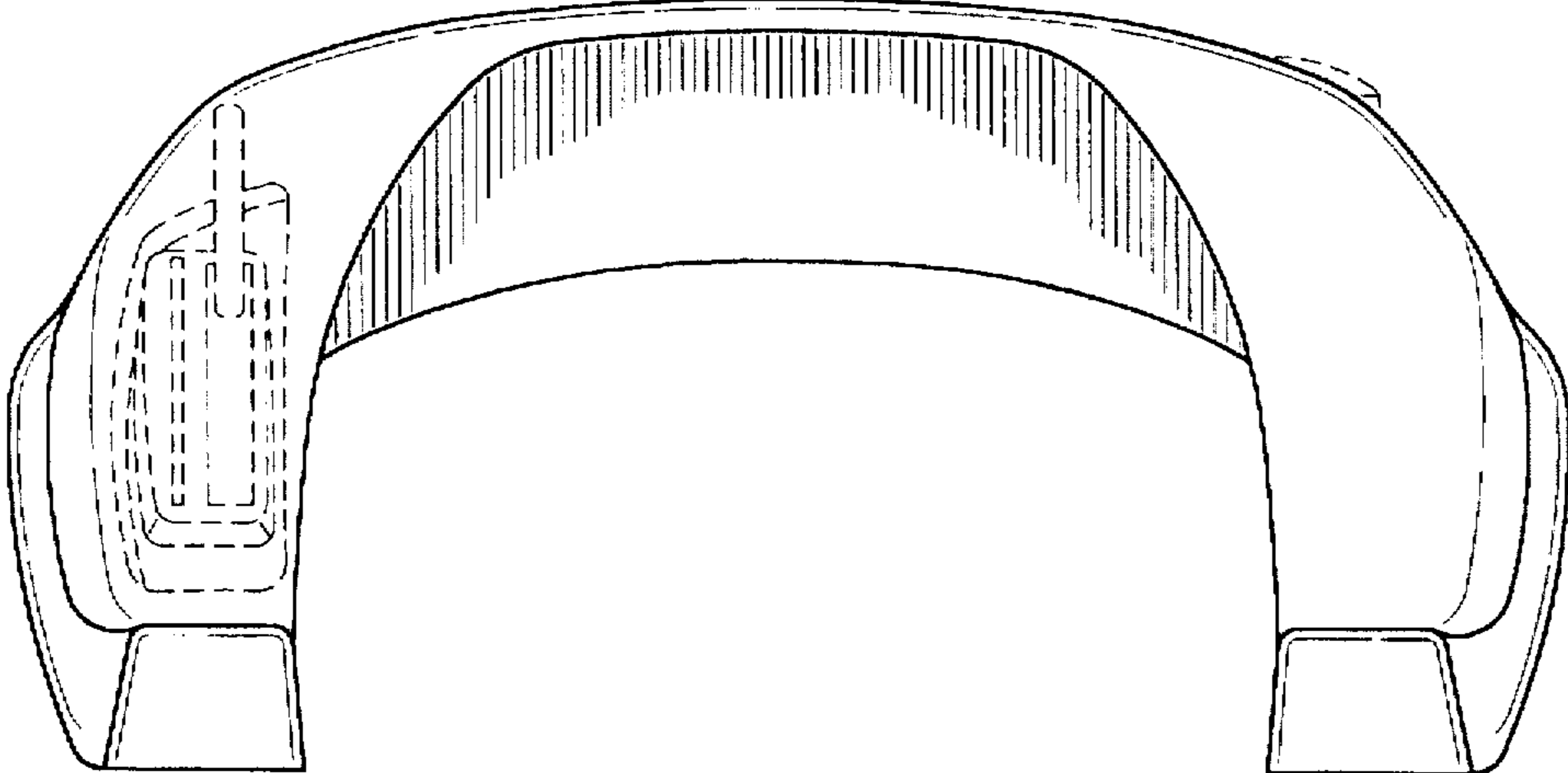


FIG-3

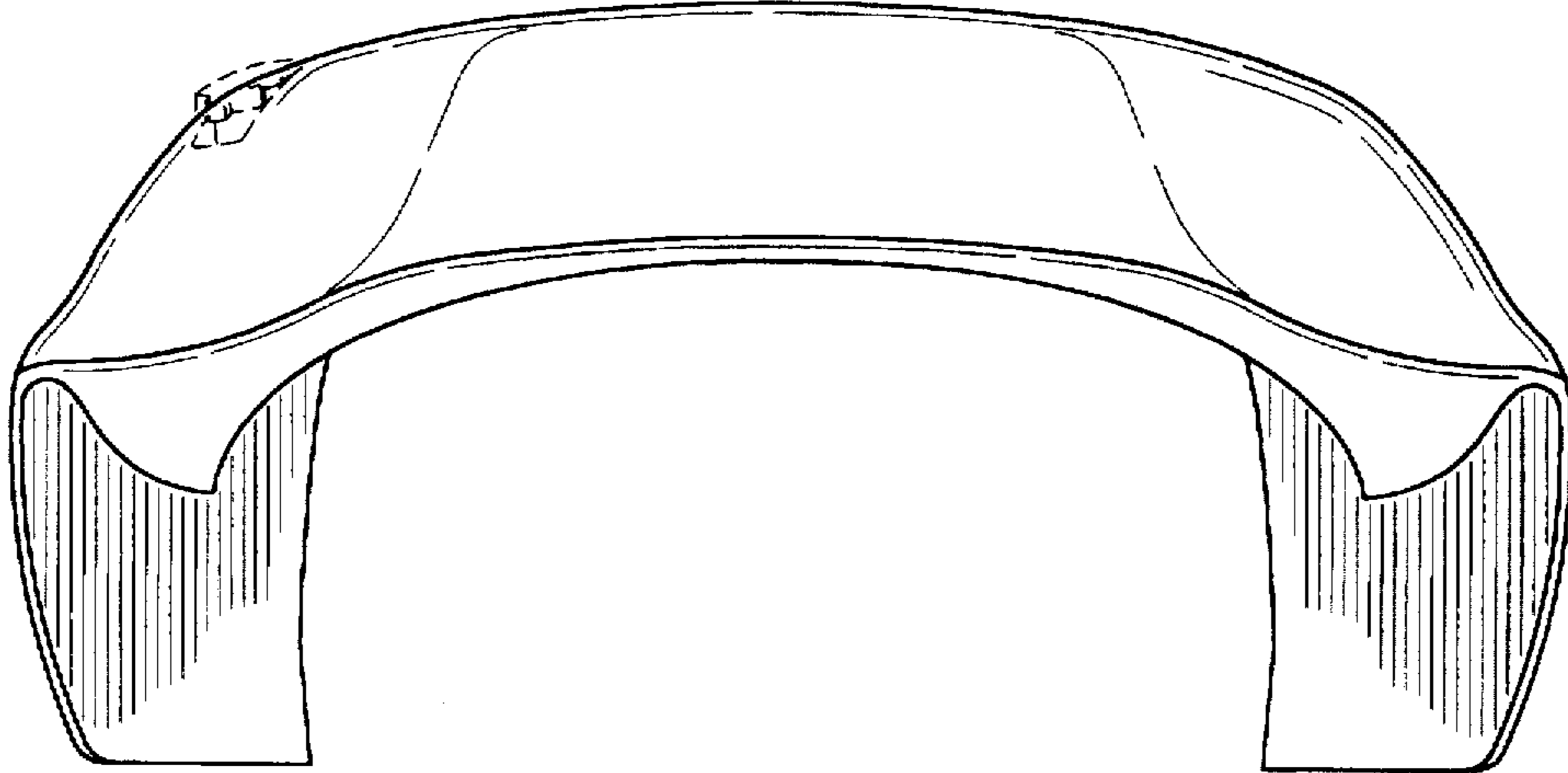


FIG-4

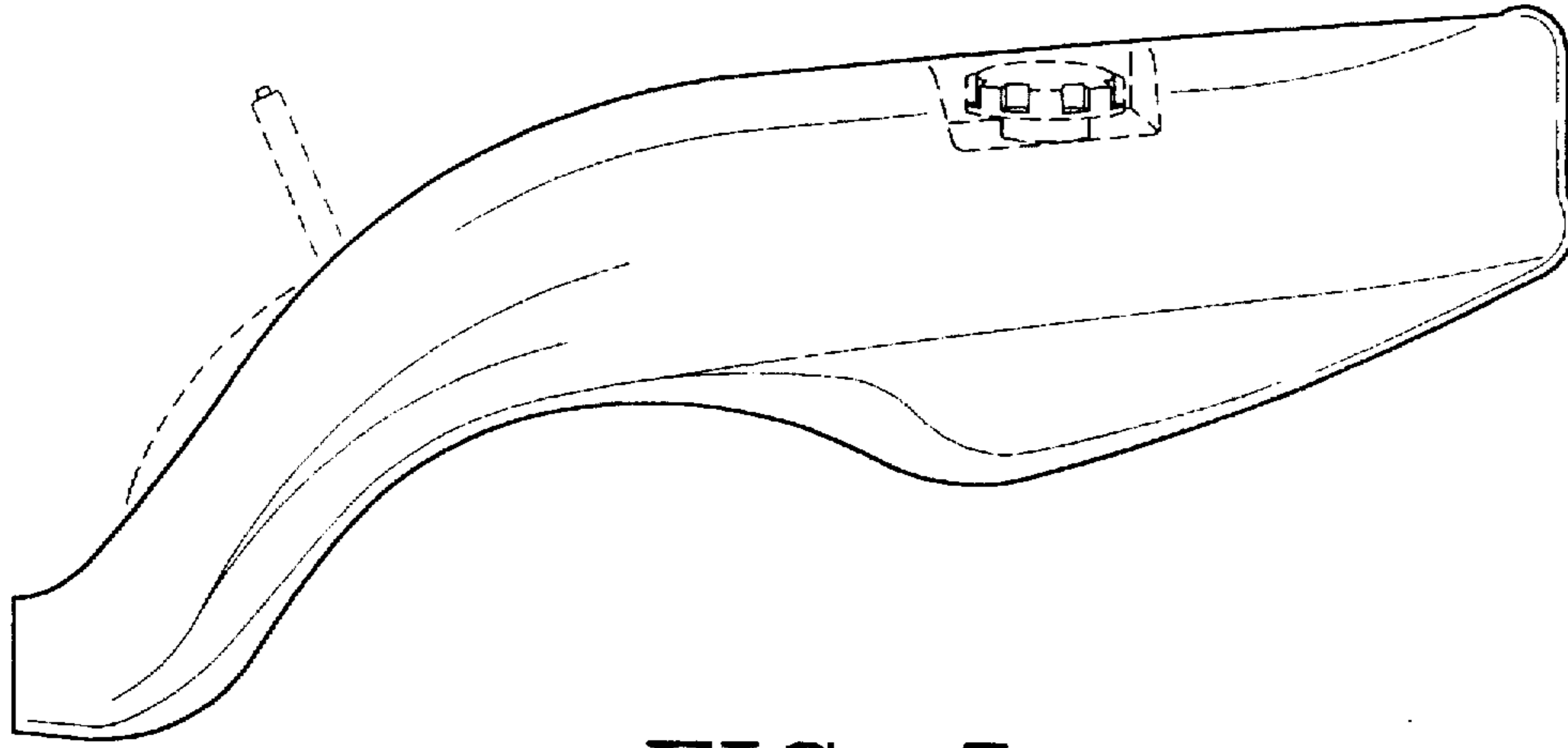


FIG-5

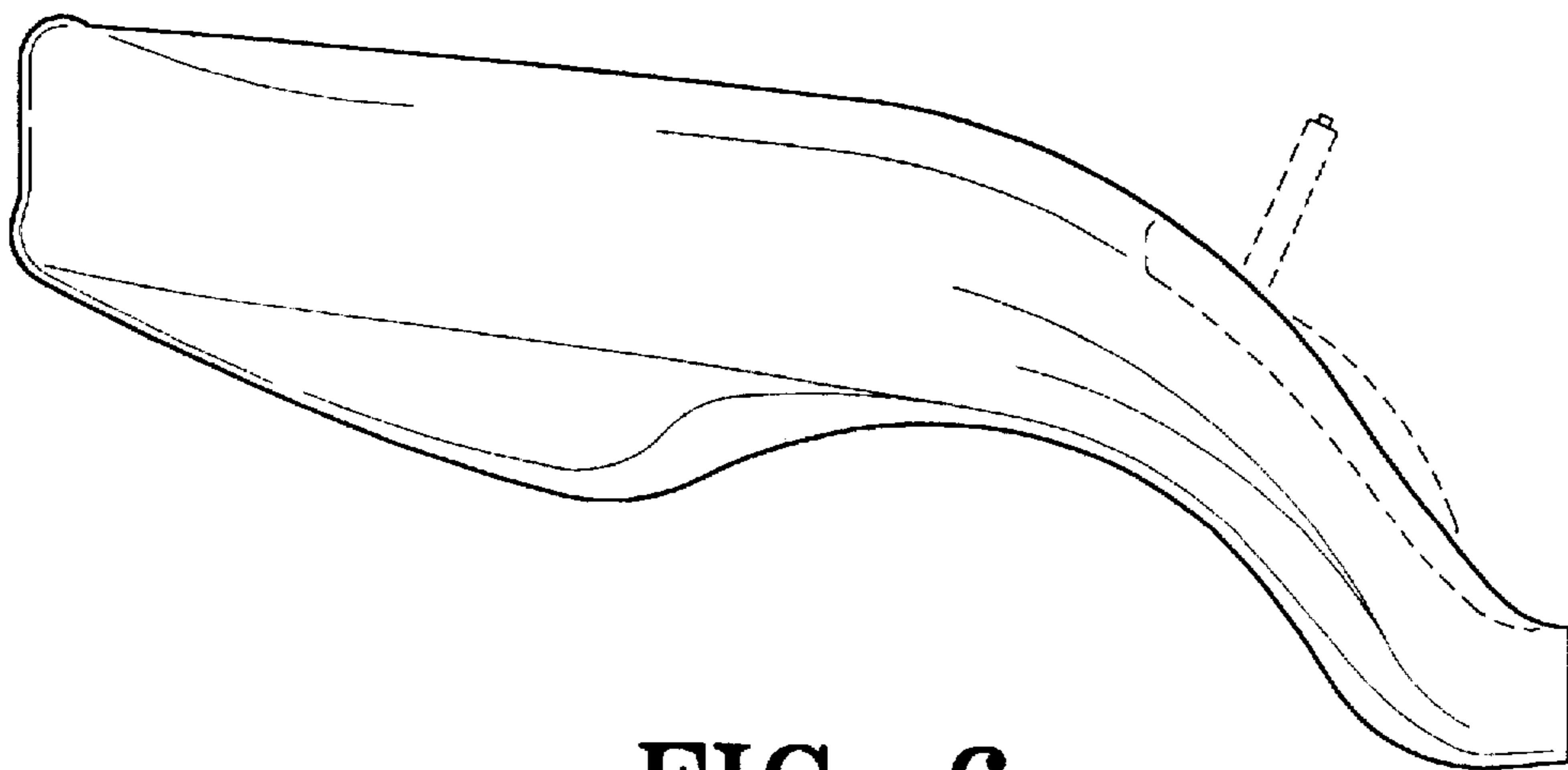


FIG-6