



US00D397117S

United States Patent [19] Jones

[11] Patent Number: Des. 397,117

[45] Date of Patent: **Aug. 18, 1998

[54] AUDIO SPEAKER

D. 270,444 9/1983 Matsuda et al. D14/214
5,552,569 9/1996 Sapkowski 181/199

[75] Inventor: Philip K. Jones, Londonderry, N.H.

[73] Assignee: Platinum Audio, Ltd., Bedford, N.H.

[**] Term: 14 Years

Primary Examiner—Ted Shooman
Assistant Examiner—Nanda Bondade
Attorney, Agent, or Firm—Daniel J. Bourque; Kevin J. Carroll

[21] Appl. No.: 64,589

[57] CLAIM

[22] Filed: Jan. 6, 1997

The ornamental design for an audio speaker, as shown and described.

[51] LOC (6) Cl. 14-01

[52] U.S. Cl. D14/216; D14/204

[58] Field of Search D14/204, 207-216;
181/144, 145, 147, 148, 153, 157, 198,
199; 381/24, 88, 90, 153, 159, 186, 188,
203, 205

DESCRIPTION

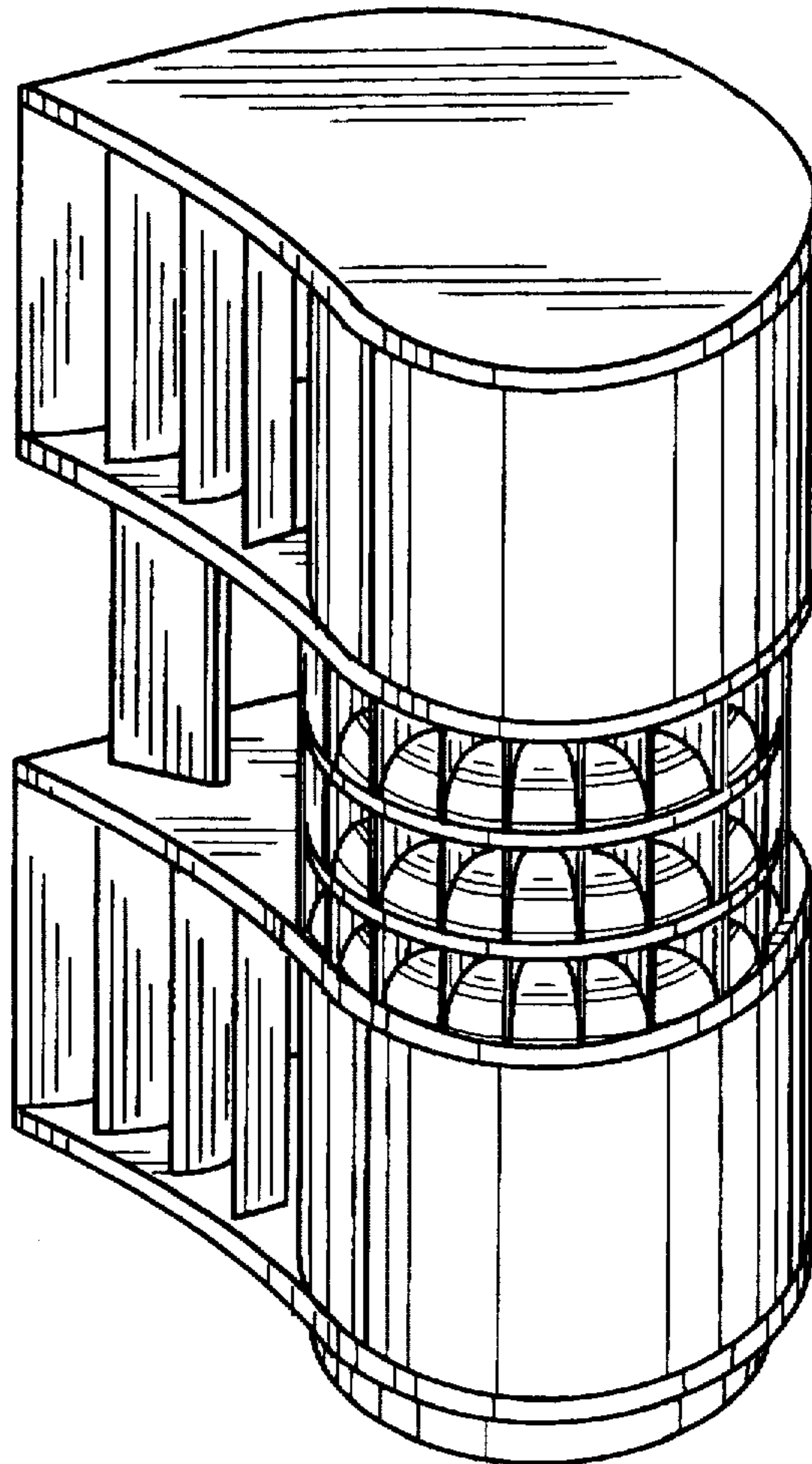
FIG. 1 is a front/right perspective view of an audio speaker showing my new design;
FIG. 2 is a front elevational view thereof;
FIG. 3 is a rear elevational view thereof;
FIG. 4 is a right elevational view thereof;
FIG. 5 is a left elevational view thereof;
FIG. 6 is a top plan view thereof; and,
FIG. 7 is a bottom plan view thereof.

[56] References Cited

U.S. PATENT DOCUMENTS

D. 180,912 9/1957 Mossington D14/214
D. 220,629 5/1971 Shimizu D14/214
D. 250,262 11/1978 Philips D14/210

1 Claim, 4 Drawing Sheets



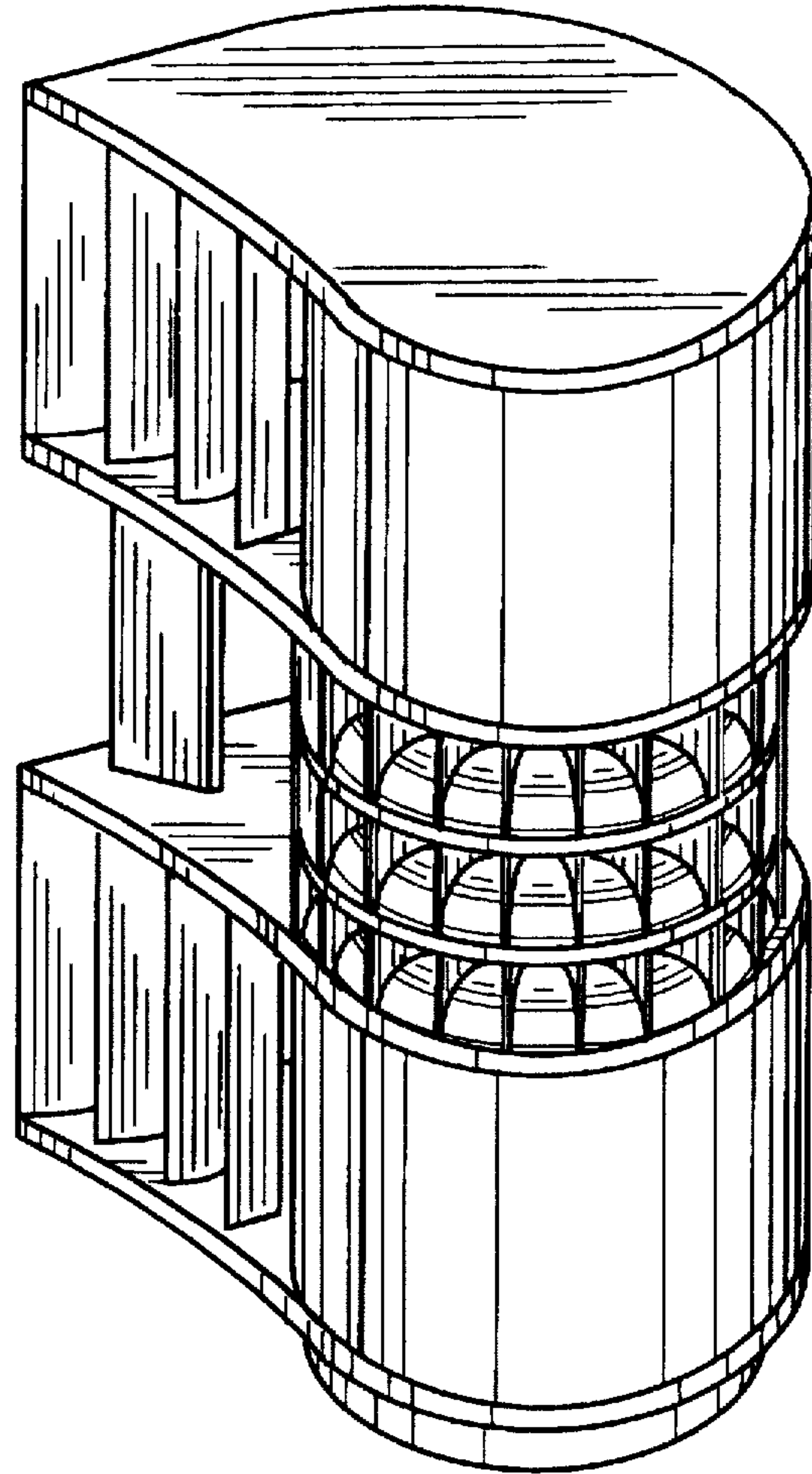


FIG. 1

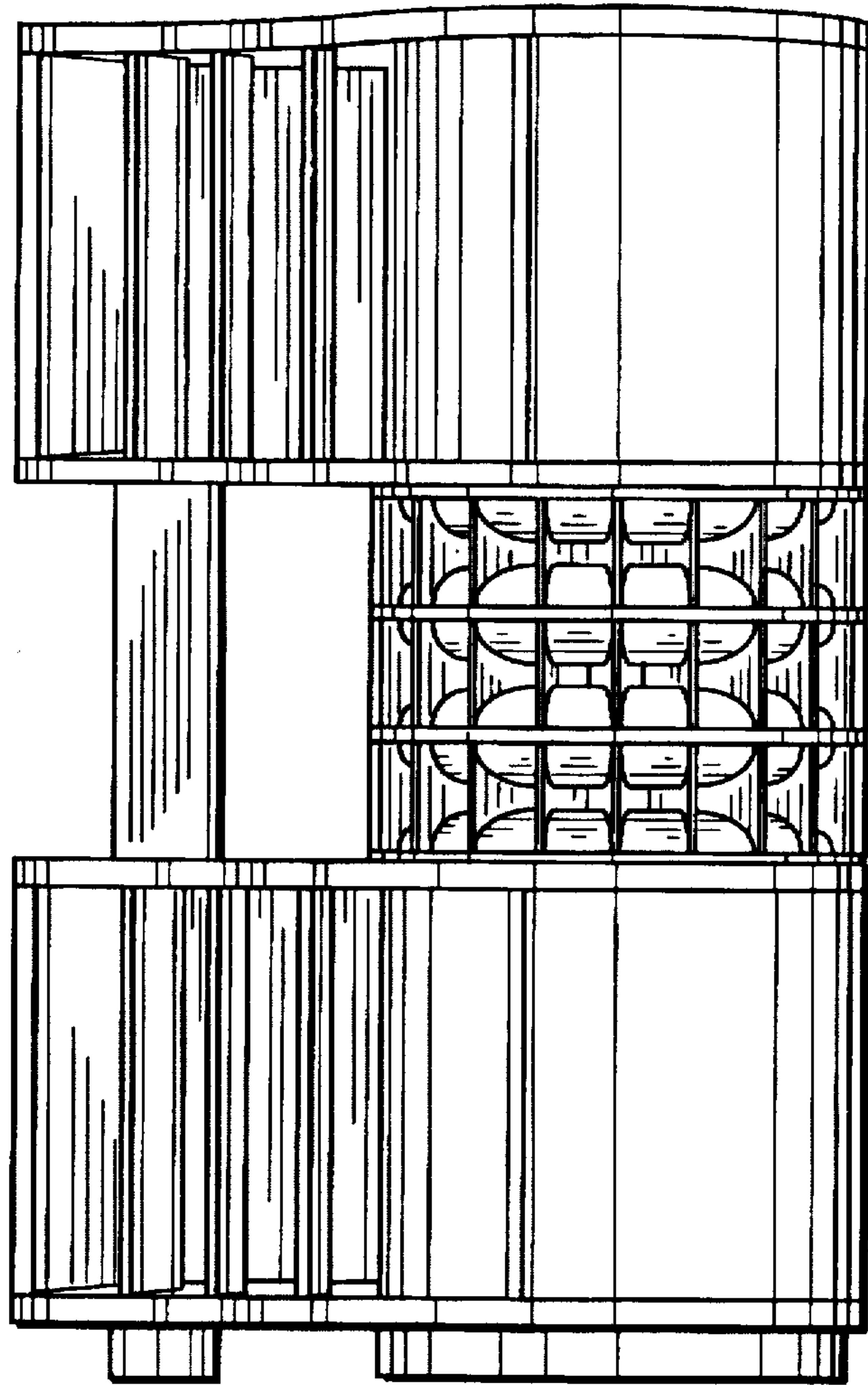


FIG. 2

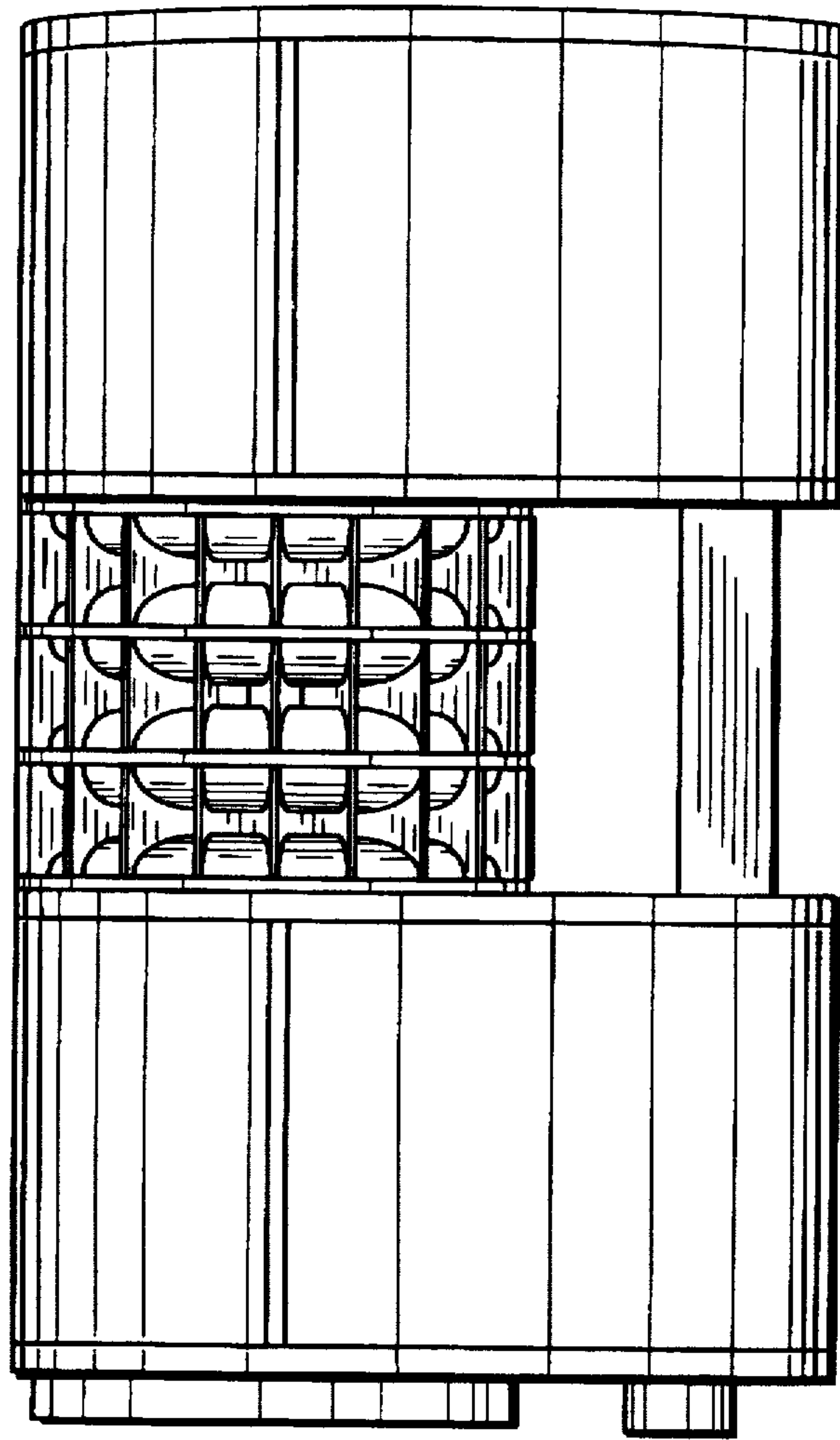


FIG. 3

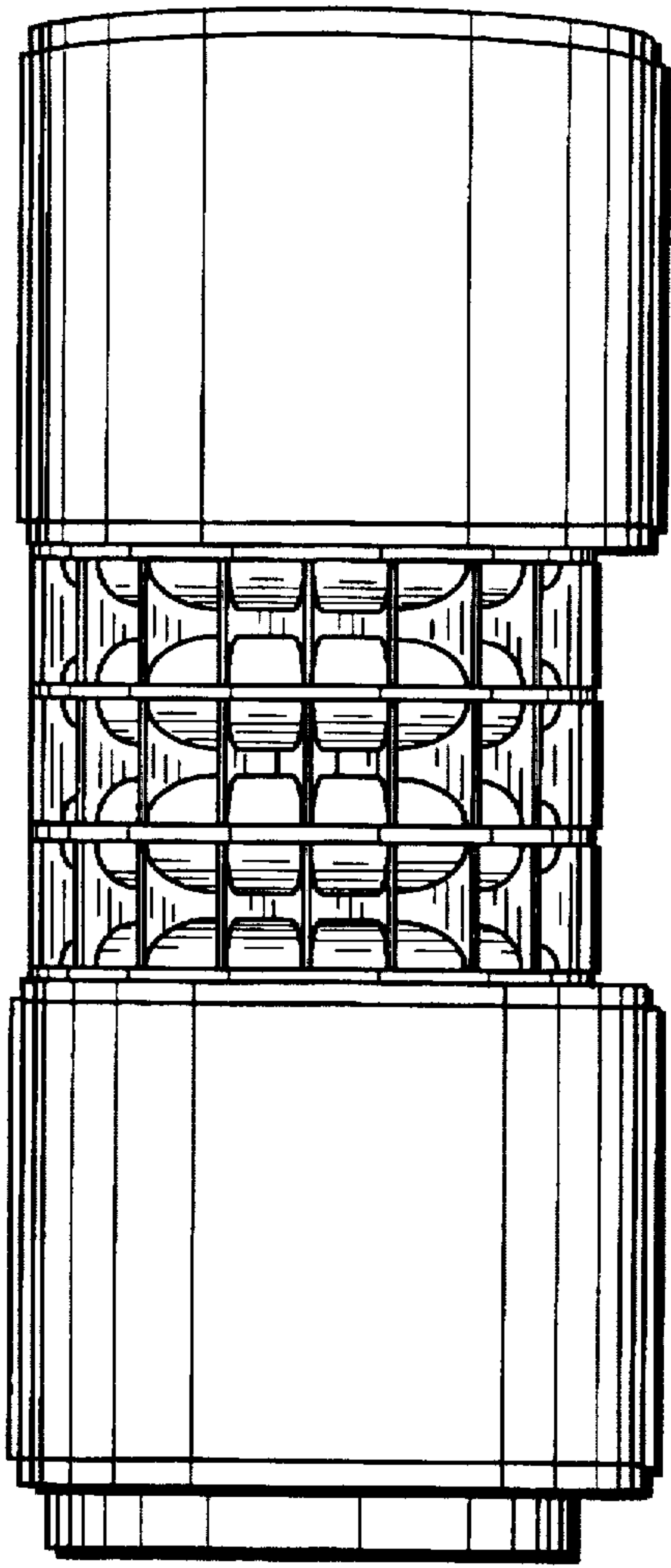


FIG. 4

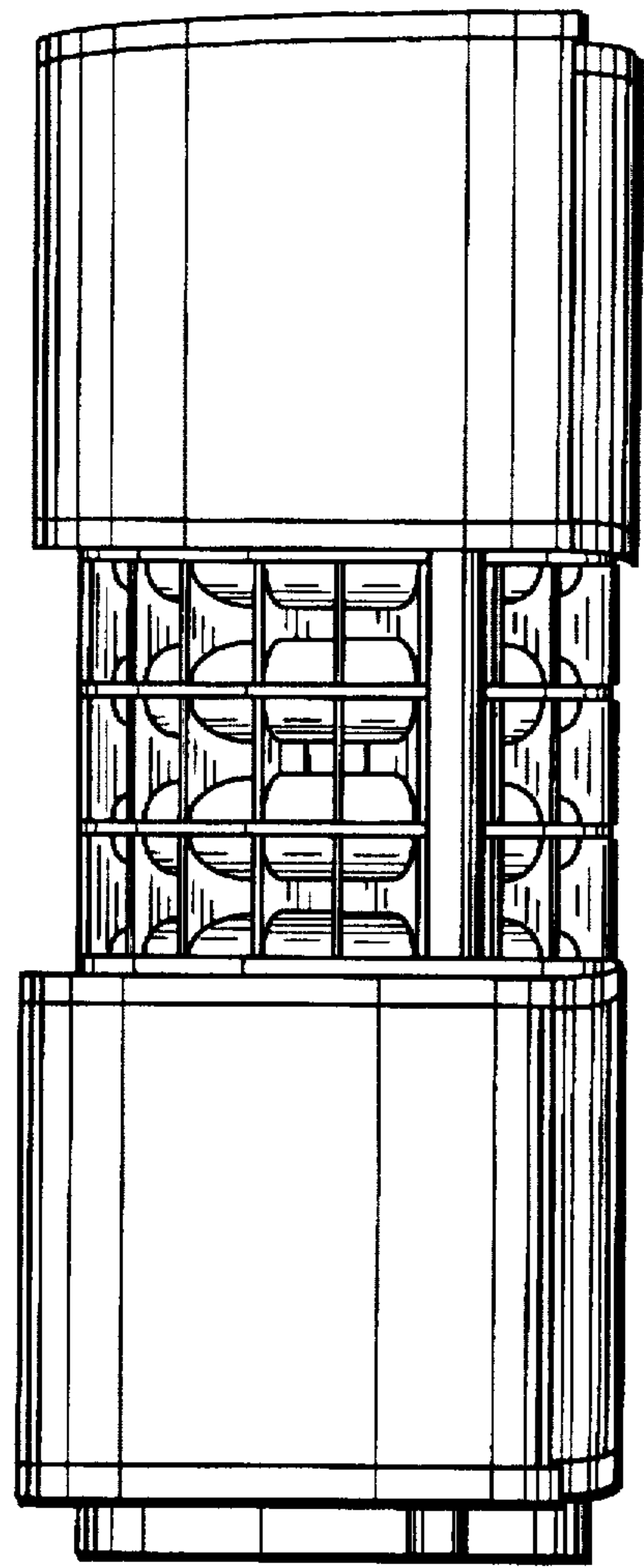


FIG. 5

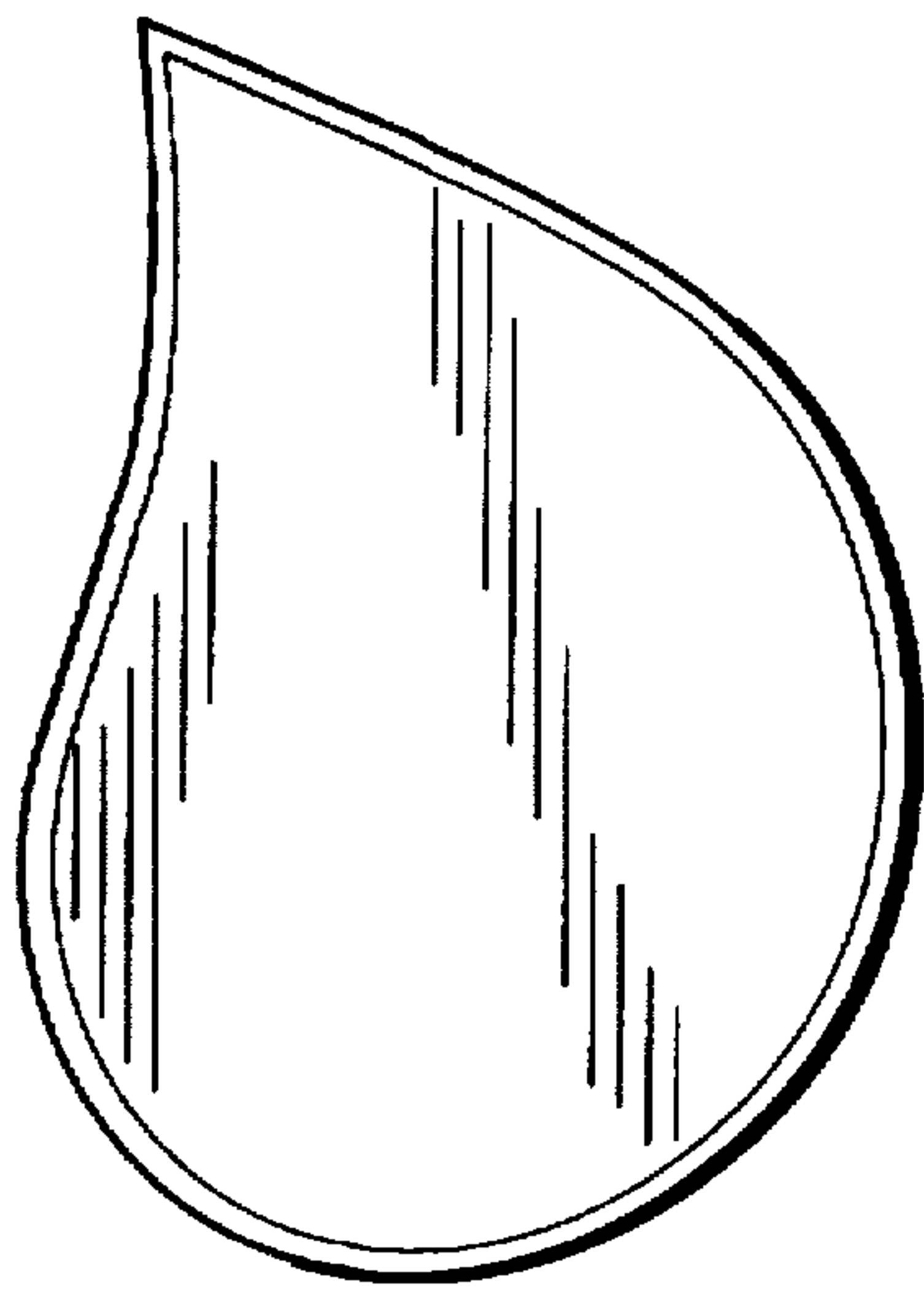


FIG. 6

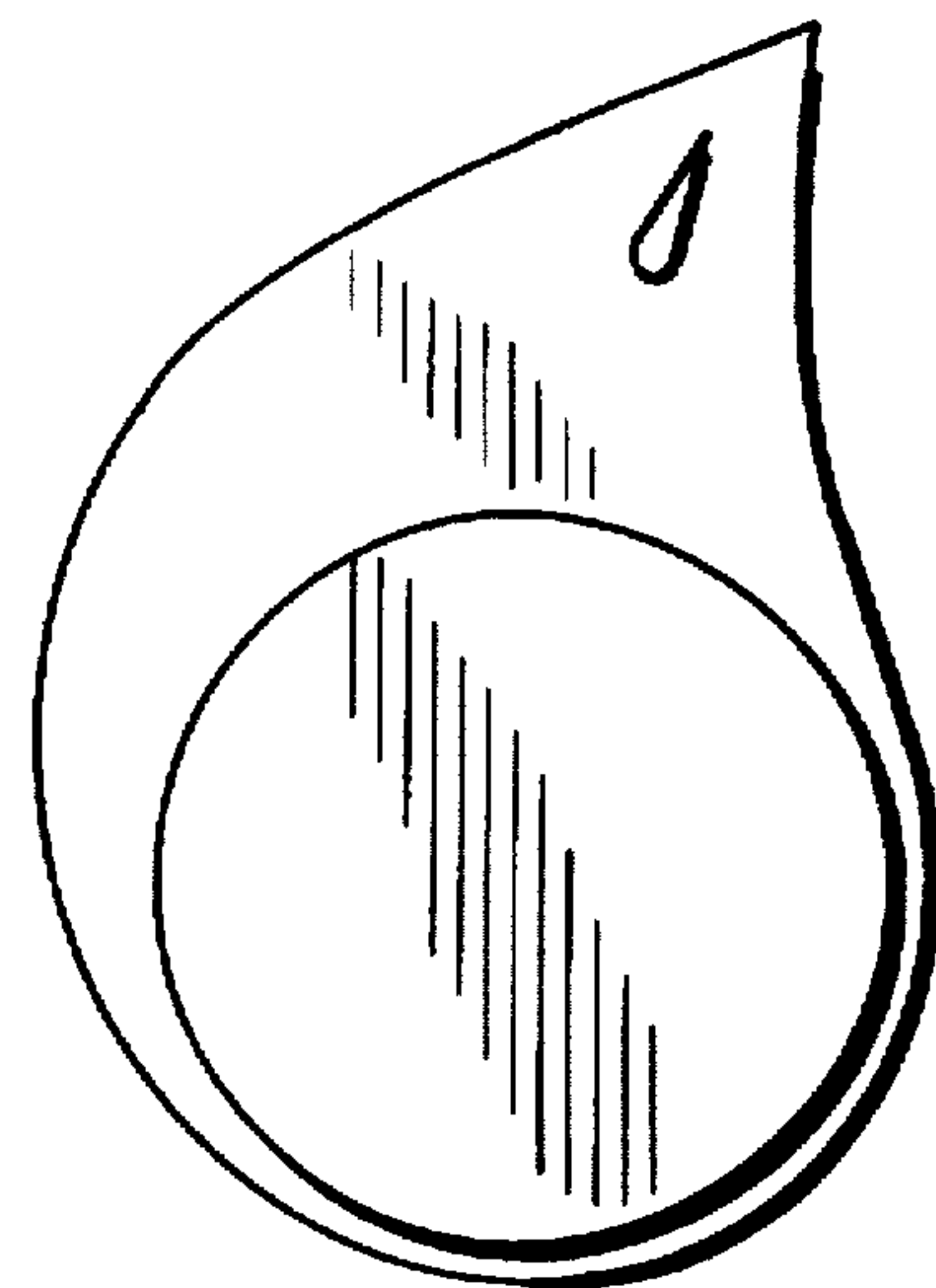


FIG. 7