



US00D397116S

# United States Patent [19] Tatsumi

[11] Patent Number: **Des. 397,116**  
[45] Date of Patent: **\*\*Aug. 18, 1998**

[54] **SPEAKER BOX**

[75] Inventor: **Keizo Tatsumi**, Hamamatsu, Japan

[73] Assignee: **Yamaha Corporation**, Shizuoka-ken, Japan

[\*\*] Term: **14 Years**

[21] Appl. No.: **74,307**

[22] Filed: **Jul. 18, 1997**

[30] **Foreign Application Priority Data**

Jan. 23, 1997 [JP] Japan ..... 9-1510

[51] LOC (6) Cl. .... **14-01**

[52] U.S. Cl. .... **D14/214**

[58] Field of Search ..... D14/204, 207,  
D14/209-216; 181/144-145, 147-148,  
150, 157, 159, 198, 199; 381/24, 88, 90,  
91, 153, 159, 186, 203, 205

[56] **References Cited**

**U.S. PATENT DOCUMENTS**

D. 332,607	1/1993	Yamazaki	.....	D14/210
D. 342,949	1/1994	Matsuzaka	.....	D14/214
D. 358,819	5/1995	Rozier et al.	.....	D14/214
D. 360,636	7/1995	Sasago et al.	.....	D14/214
D. 377,022	12/1996	Takahashi	.....	D14/214

*Primary Examiner*—Ted Shooman  
*Assistant Examiner*—Nanda Bondade  
*Attorney, Agent, or Firm*—Ostrolenk, Feber, Gerb & Soffen, LLP

[57] **CLAIM**

The ornamental design for speaker box, as shown and described.

**DESCRIPTION**

FIG. 1 is a top, front perspective view of speaker box showing my new design;  
FIG. 2 is a front view thereof;  
FIG. 3 is a top view thereof;  
FIG. 4 is a bottom view thereof;  
FIG. 5 is a right side view thereof;  
FIG. 6 is a left side view thereof;  
FIG. 7 is a rear view thereof;  
FIG. 8 is a top, front perspective view thereof showing another position thereof;  
FIG. 9 is a right side view thereof;  
FIG. 10 is a rear view thereof;  
FIG. 11 is a left side view thereof;  
FIG. 12 is a right side view thereof with the base removed for clarity of illustration;  
FIG. 13 is a bottom view thereof;  
FIG. 14 is a front view thereof;  
FIG. 15 is a rear view thereof; and,  
FIG. 16 is a left side view thereof.

**1 Claim, 7 Drawing Sheets**

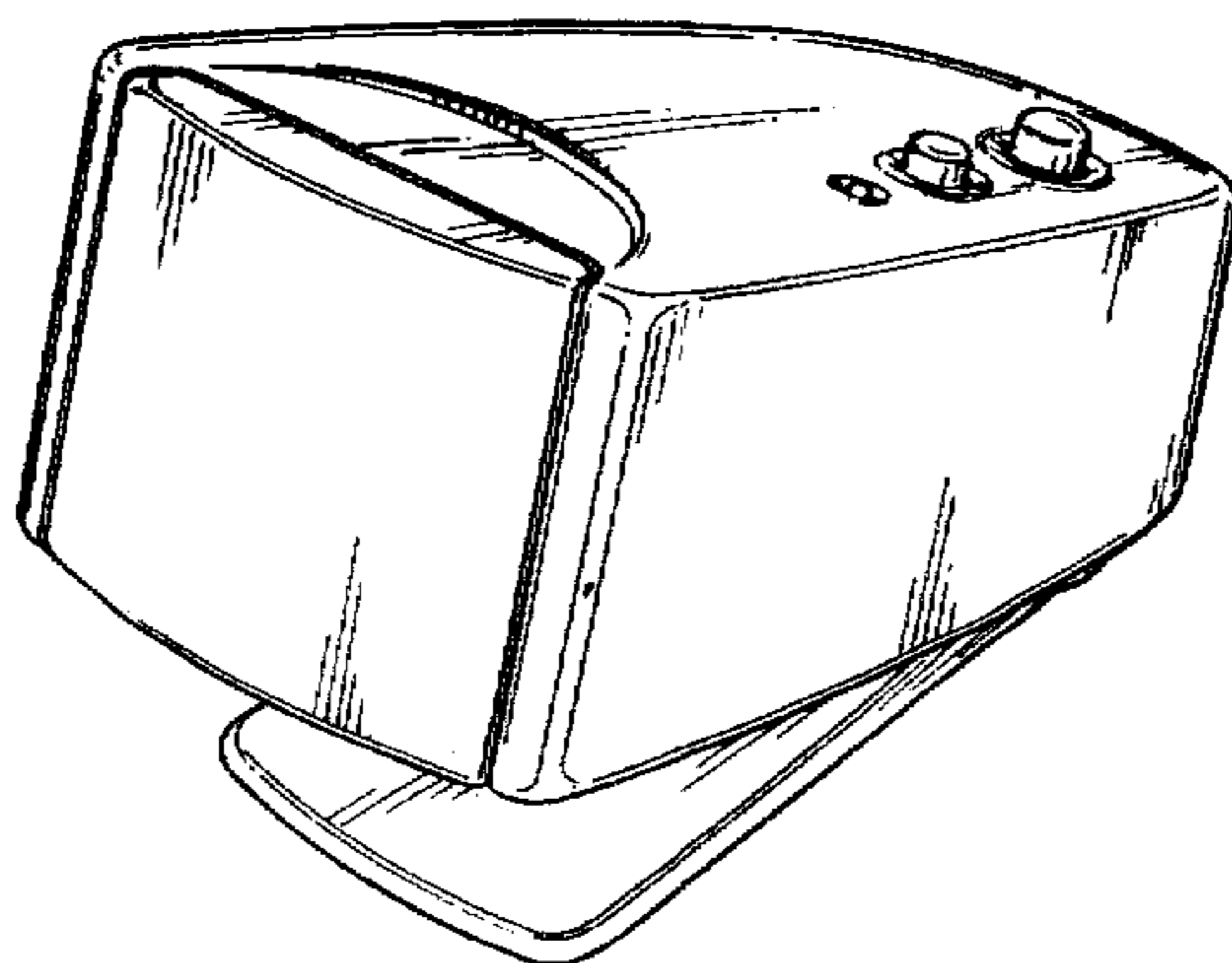
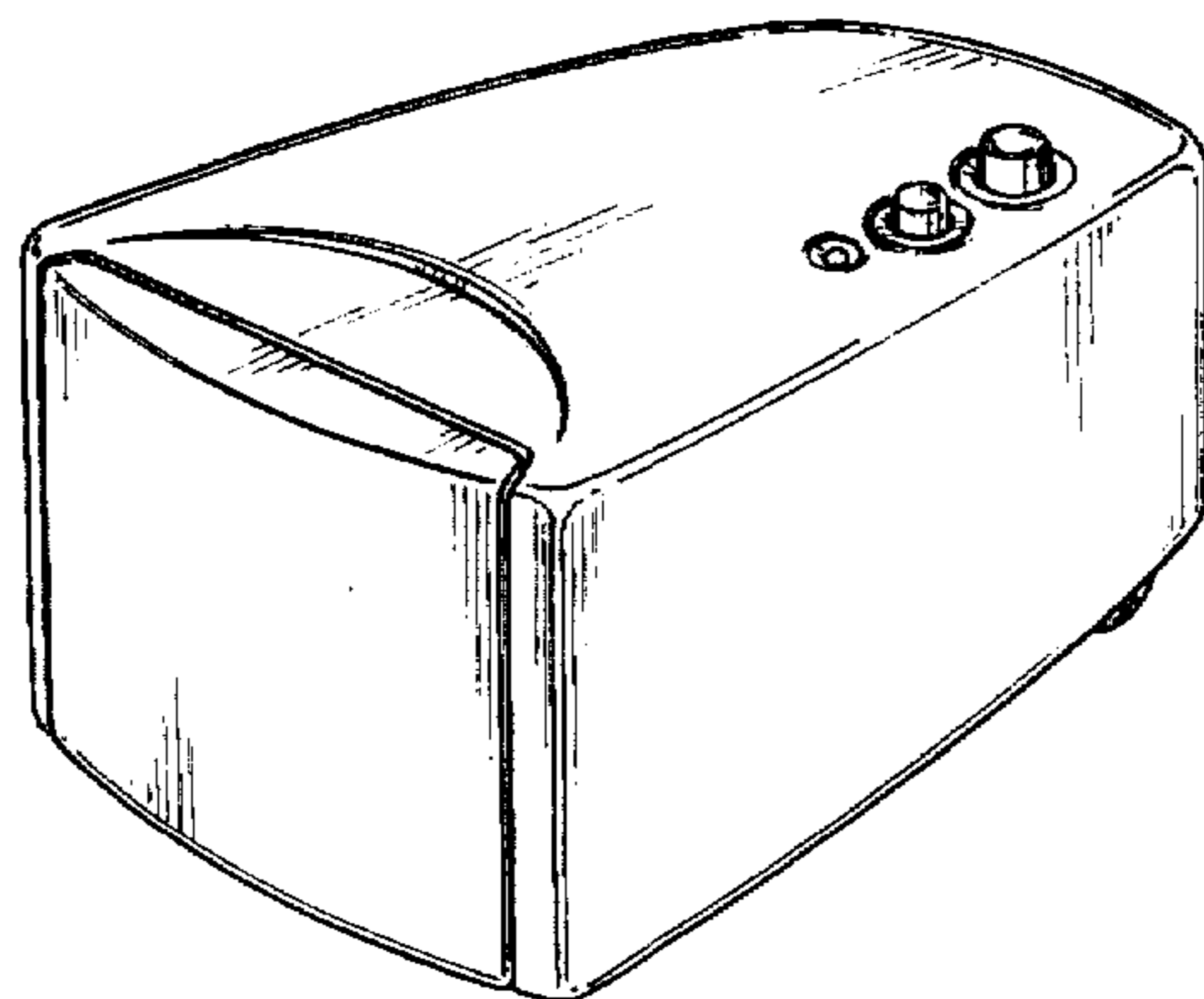


FIG. 1

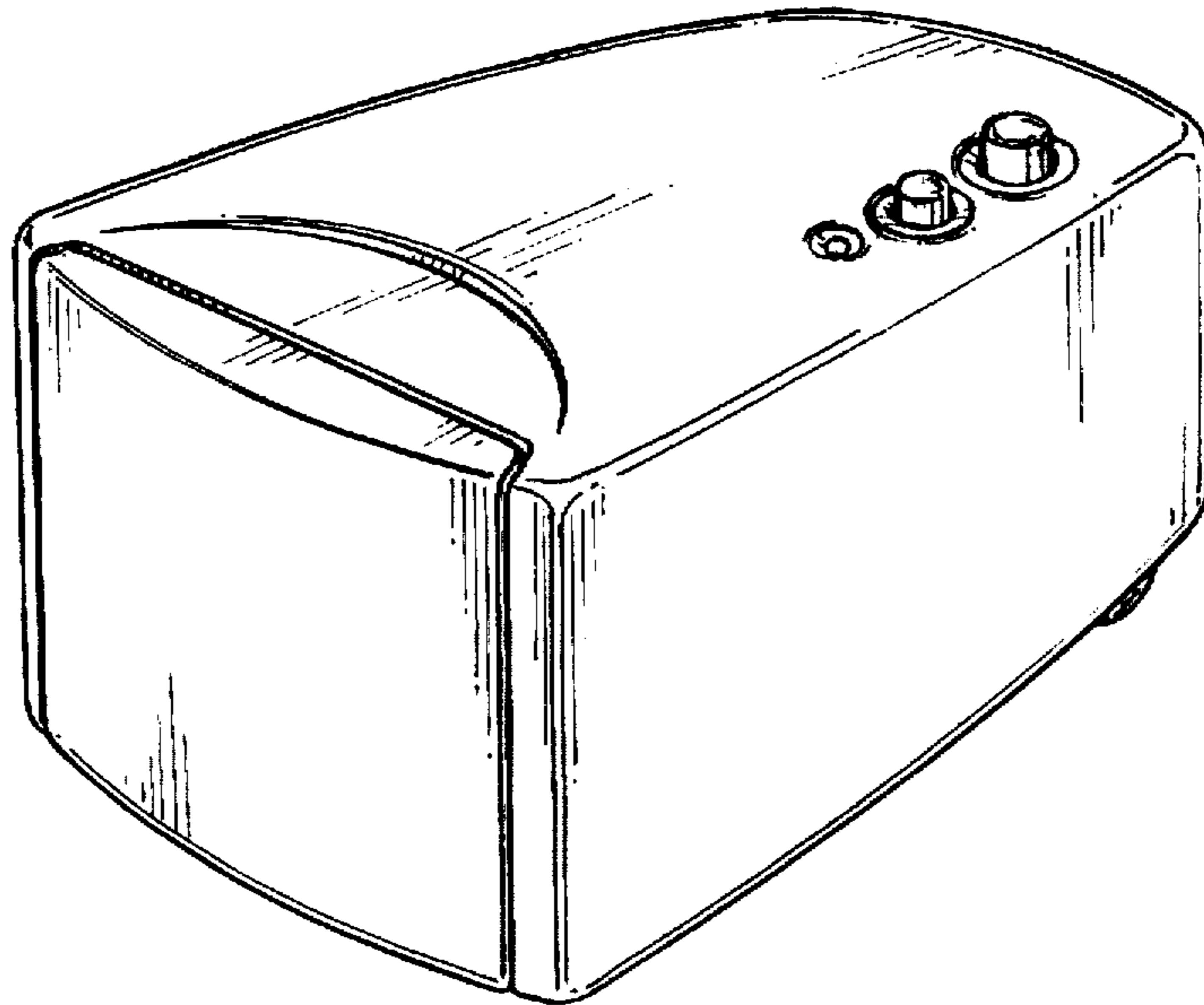


FIG. 2

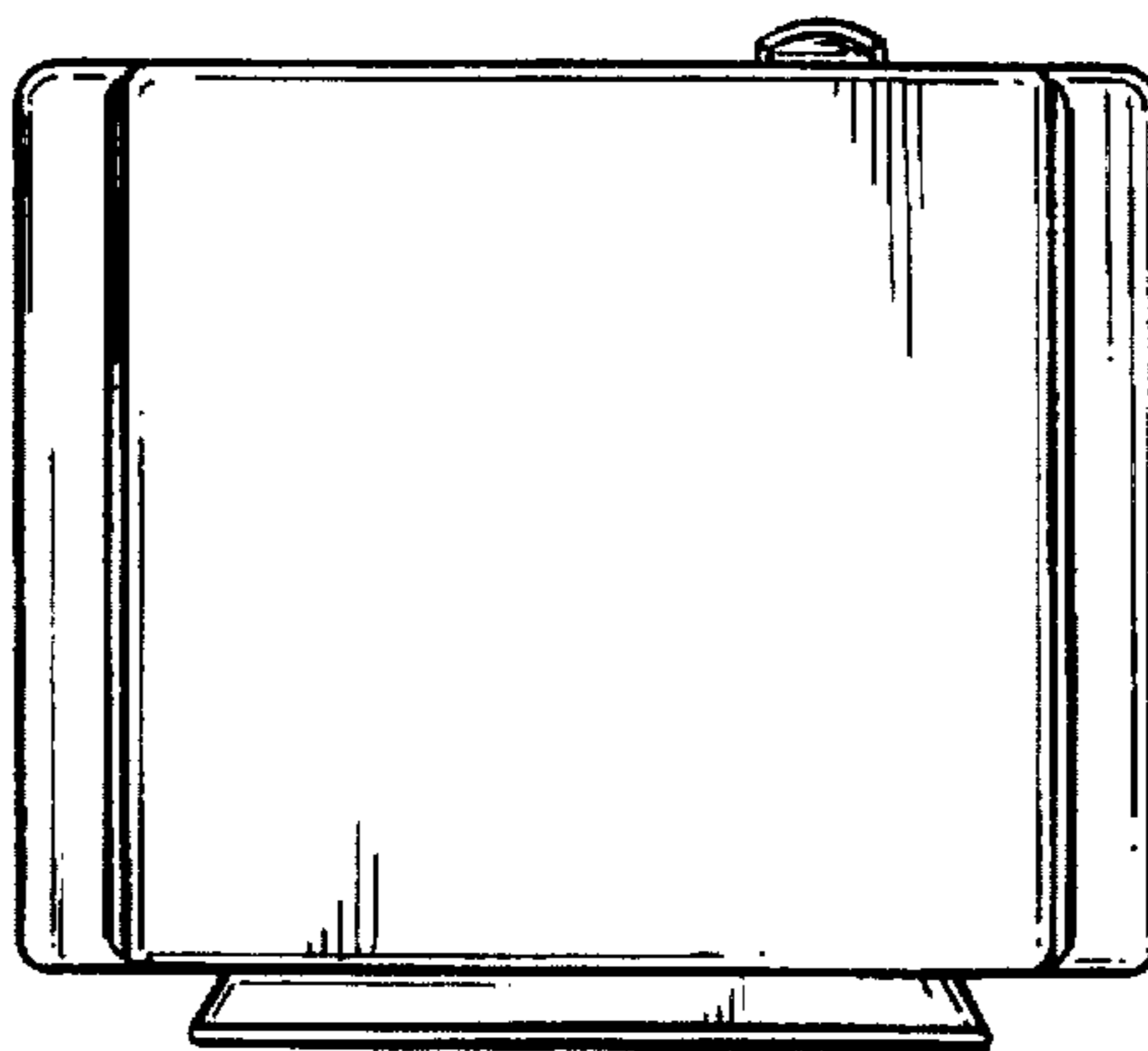


FIG. 3

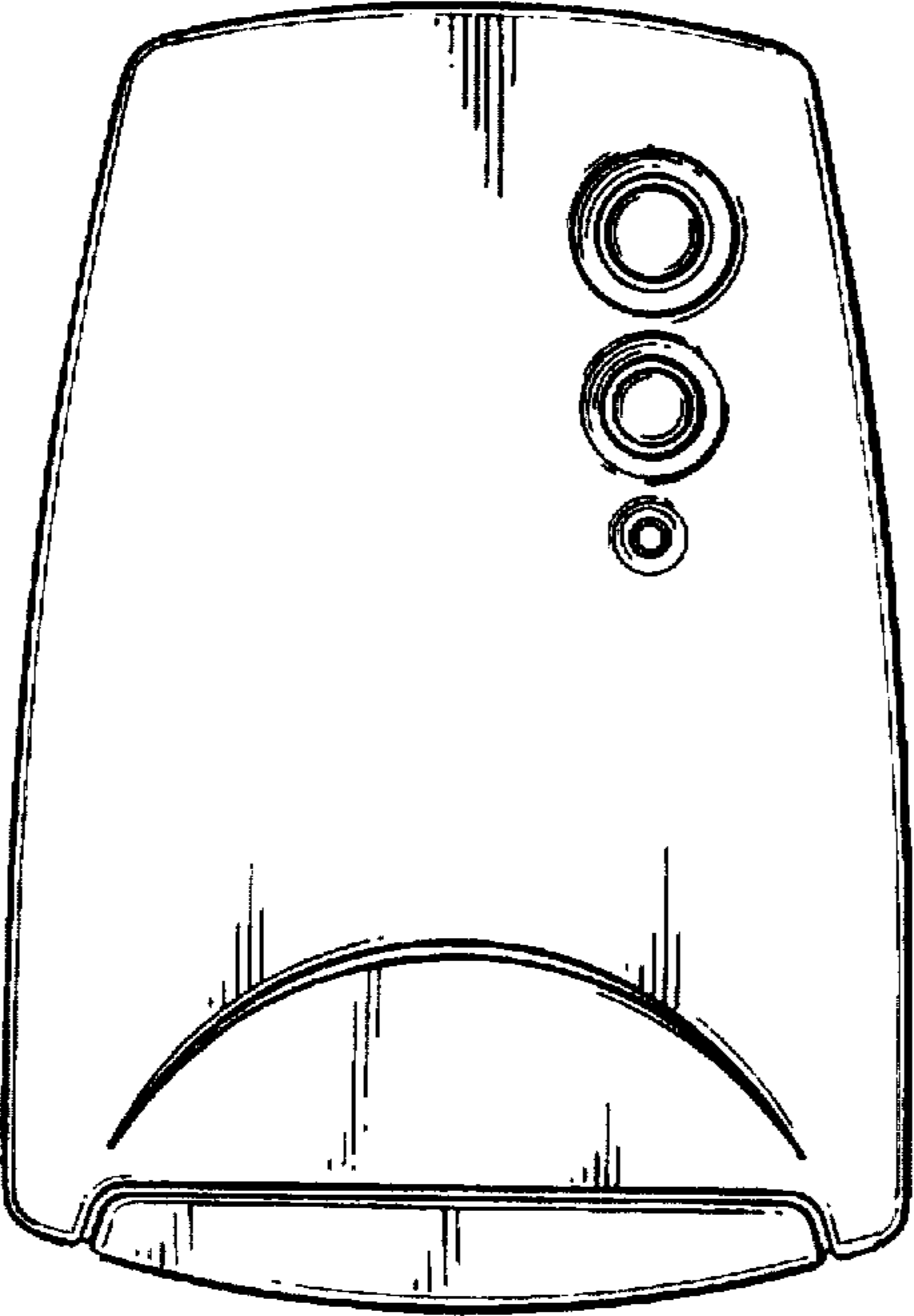


FIG. 4

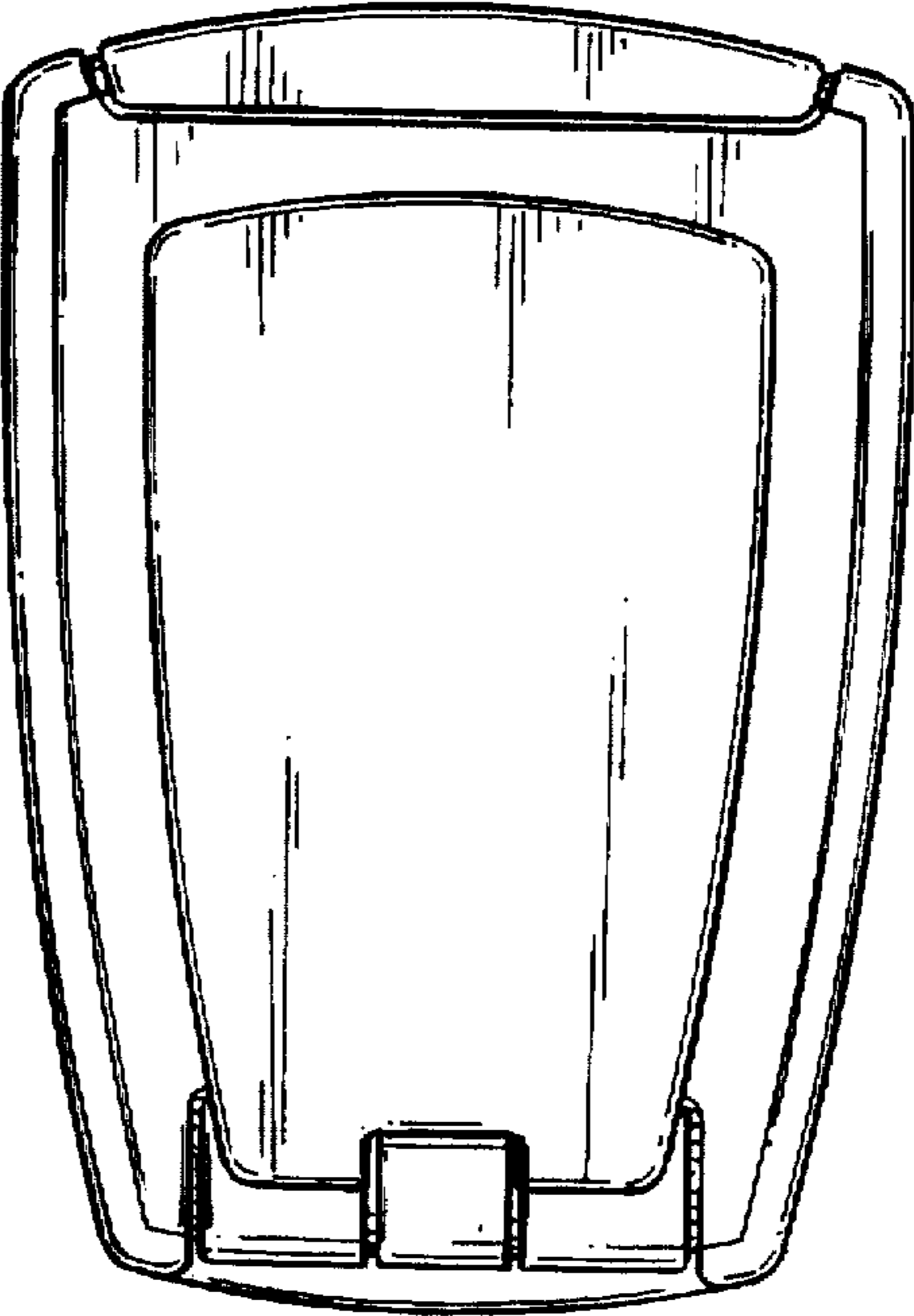


FIG. 5

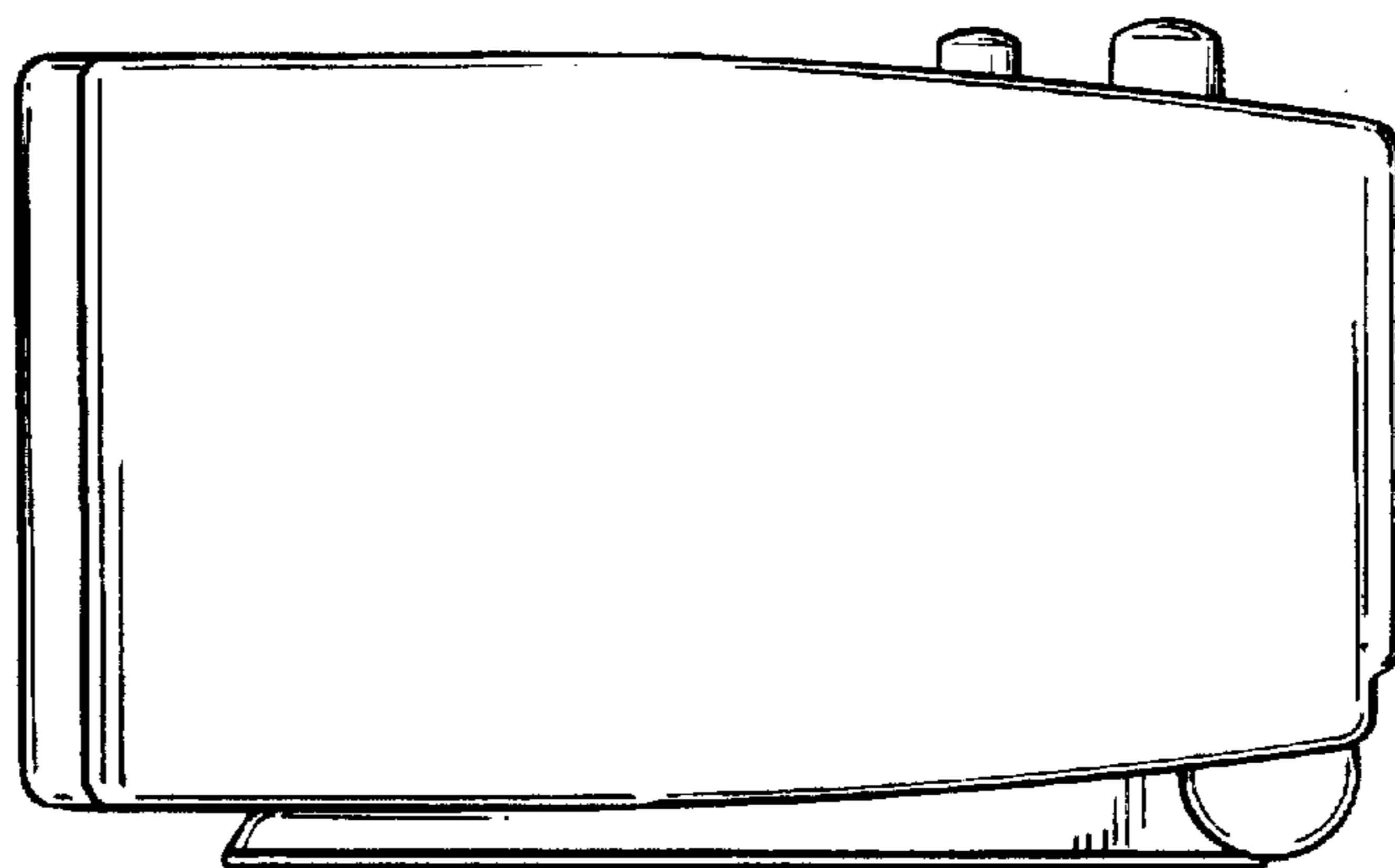


FIG. 6

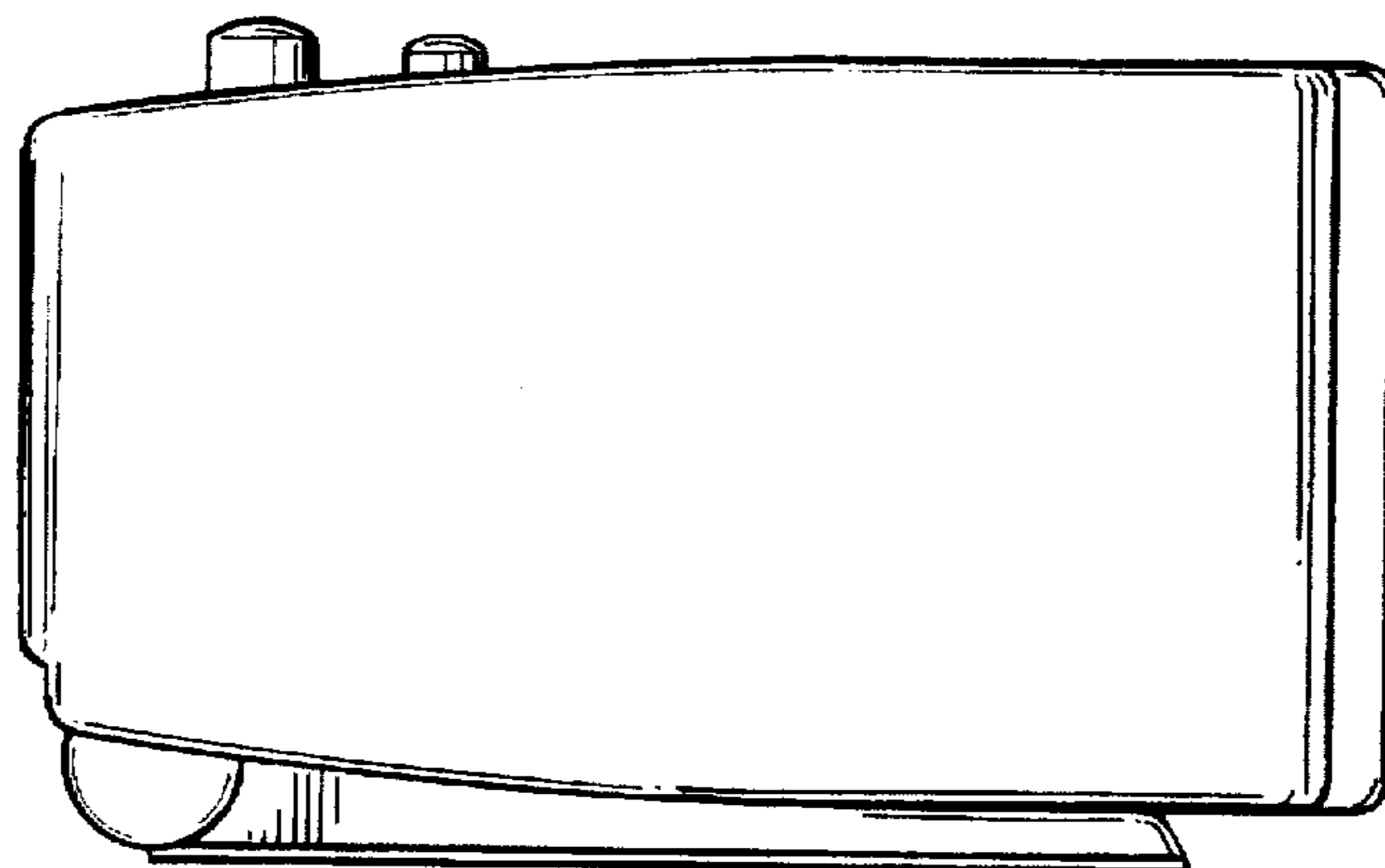


FIG. 7

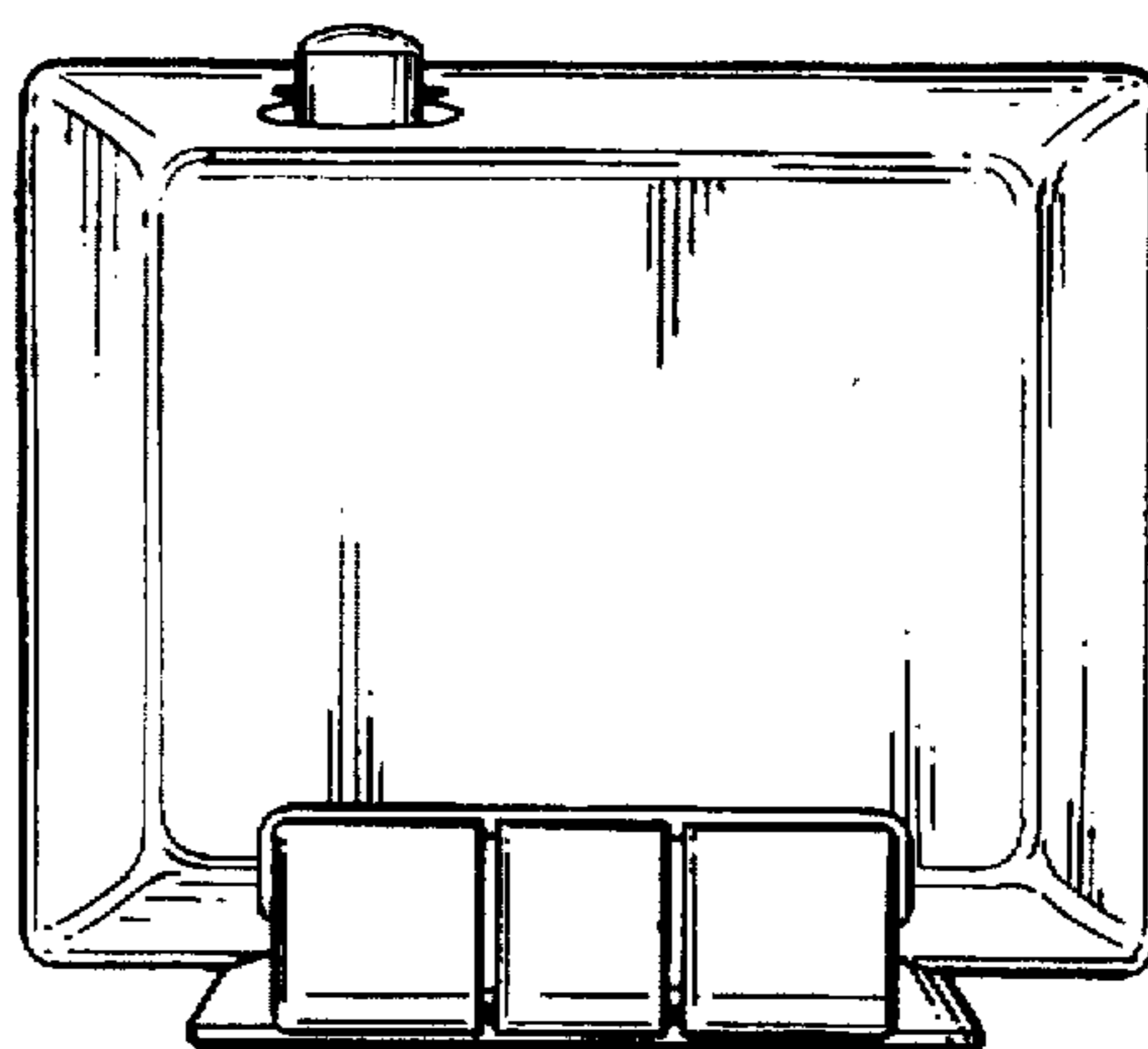


FIG. 8

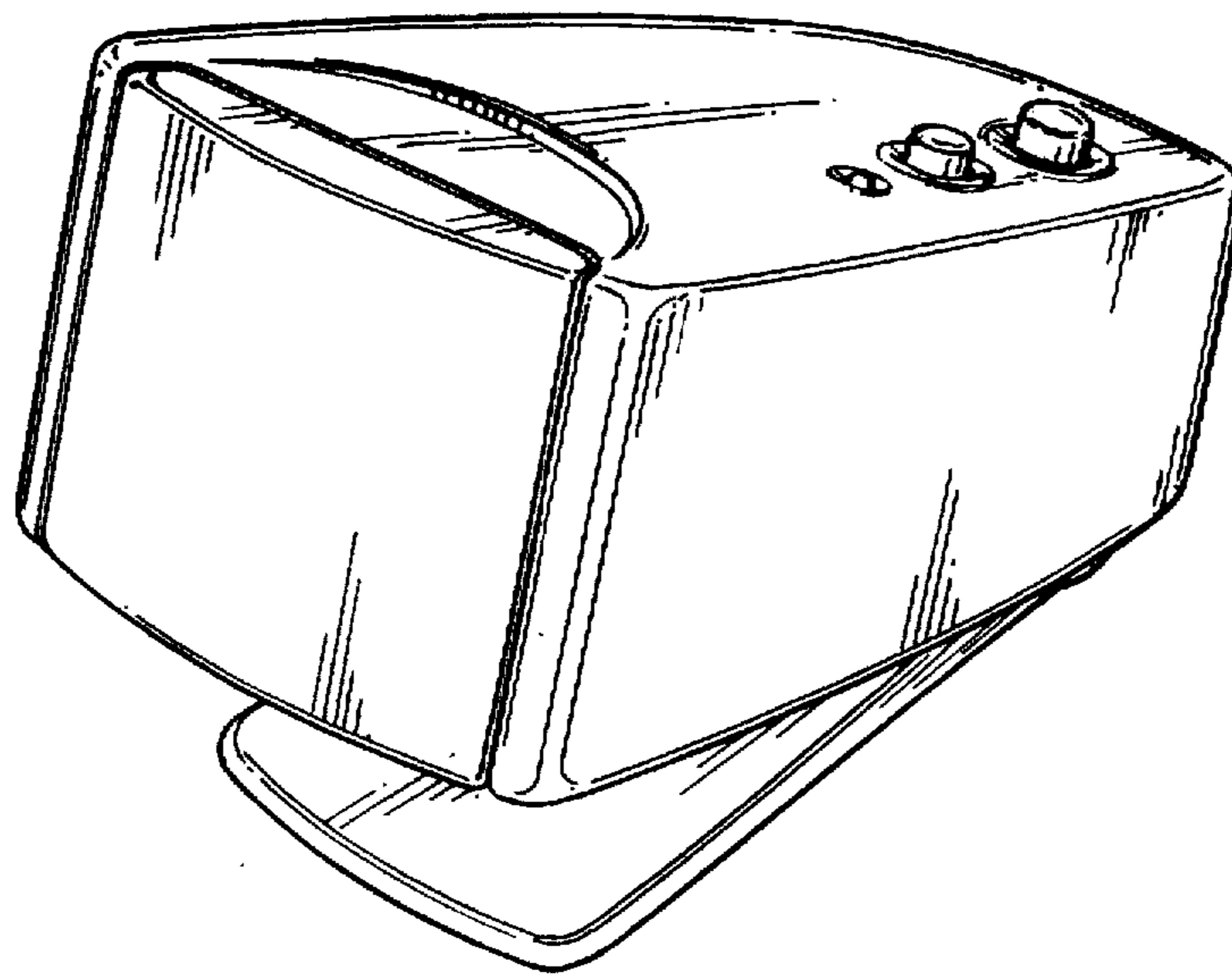


FIG. 9

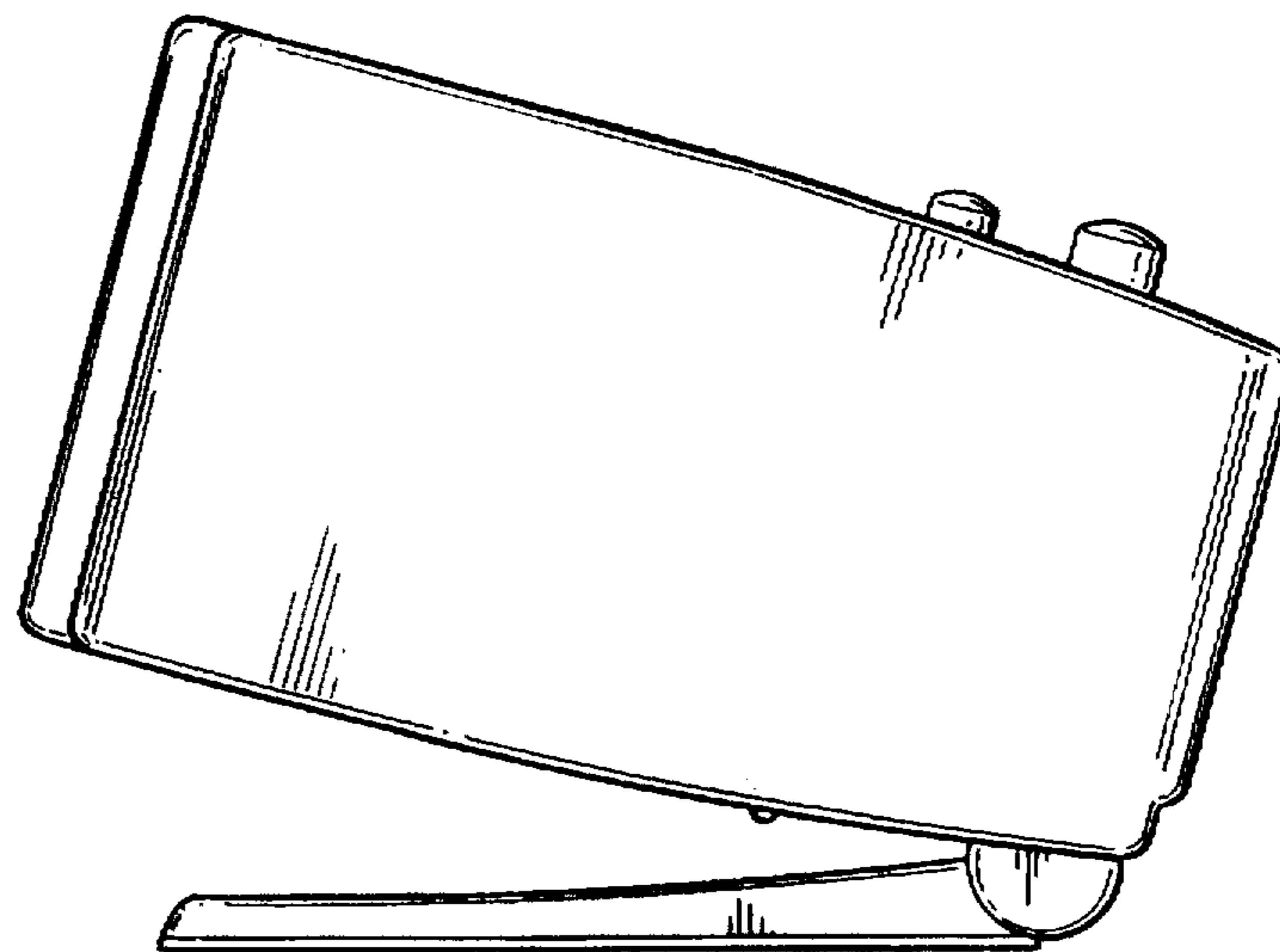


FIG. 10

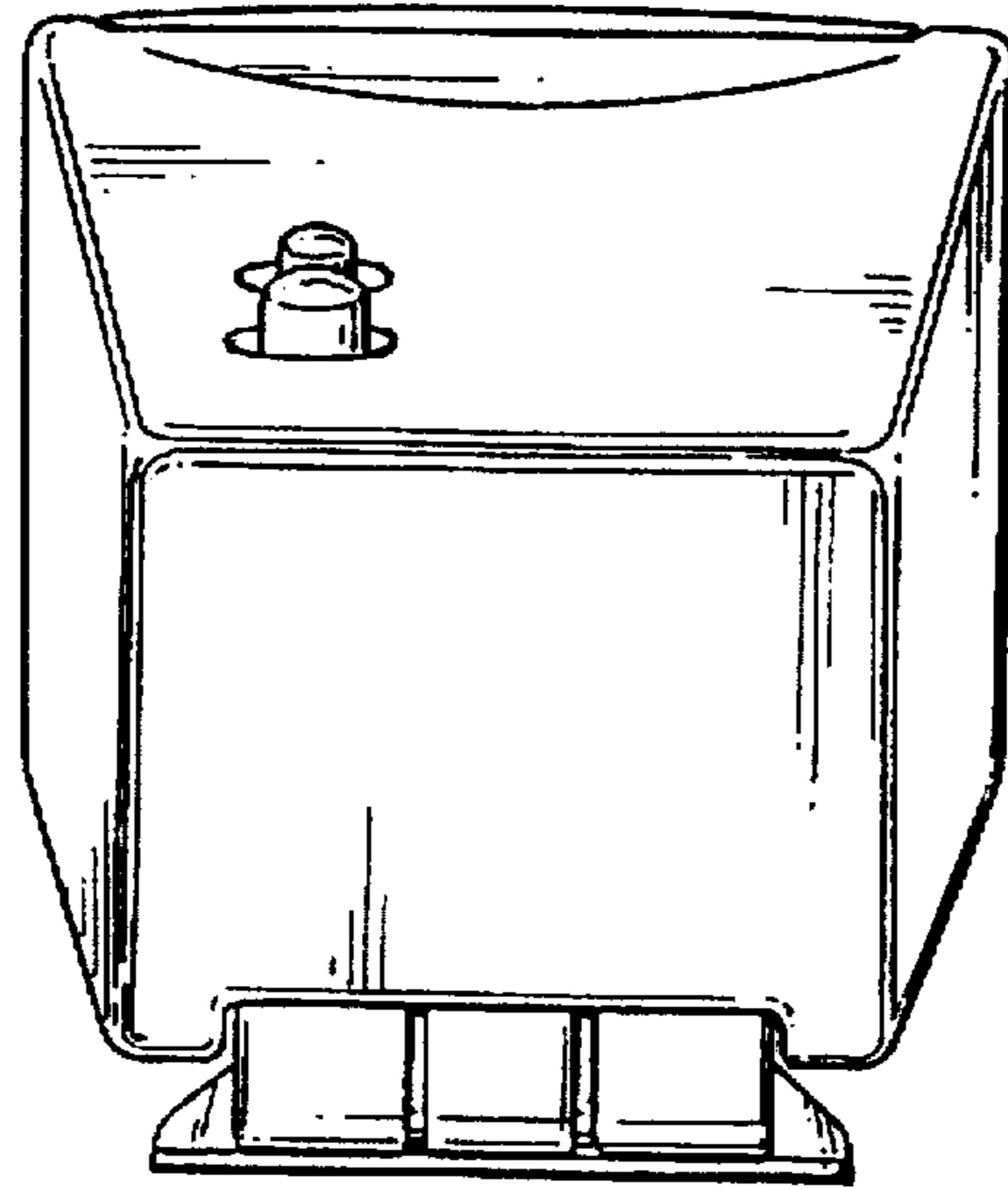


FIG. 11

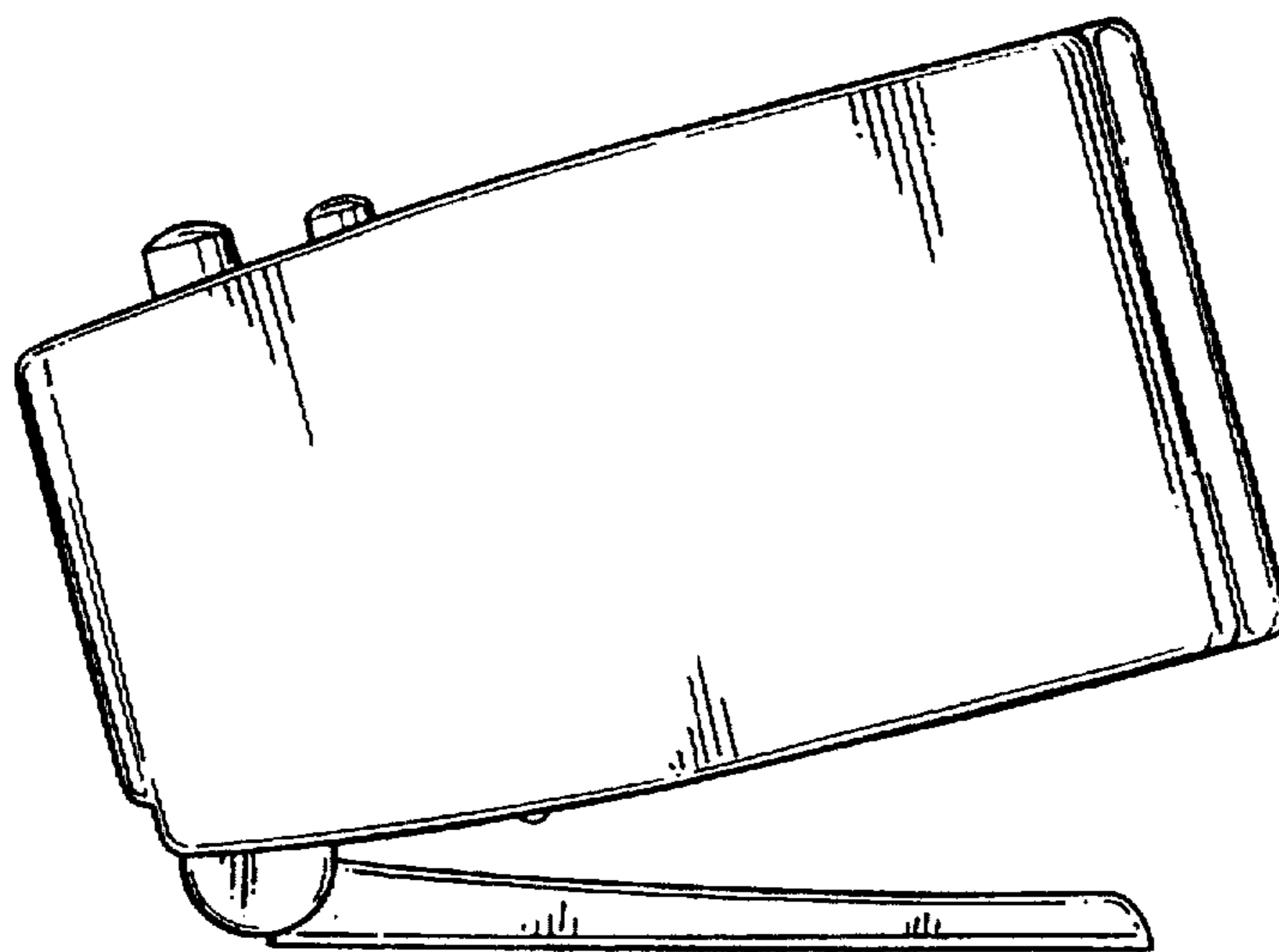


FIG. 12

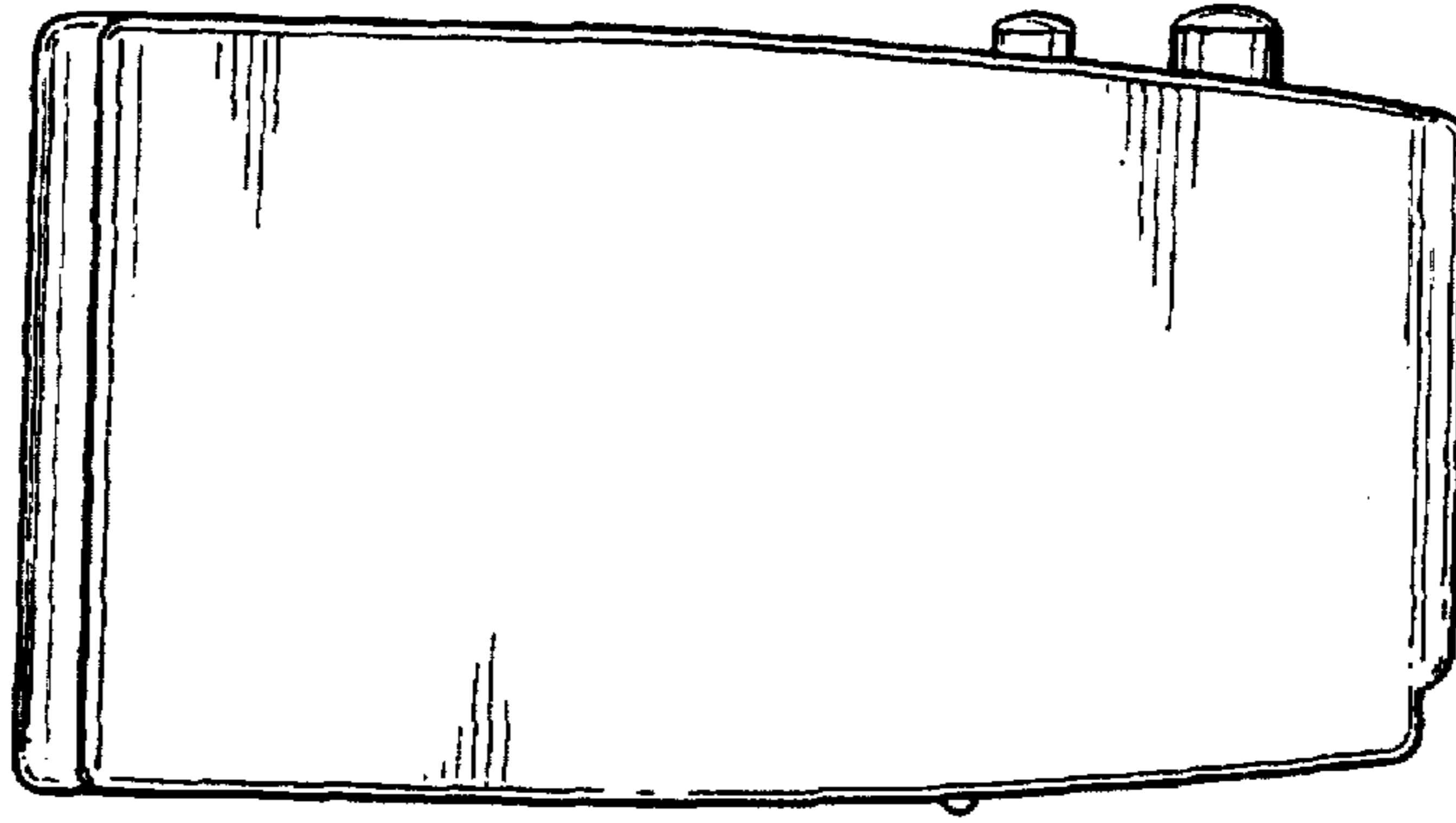


FIG. 13

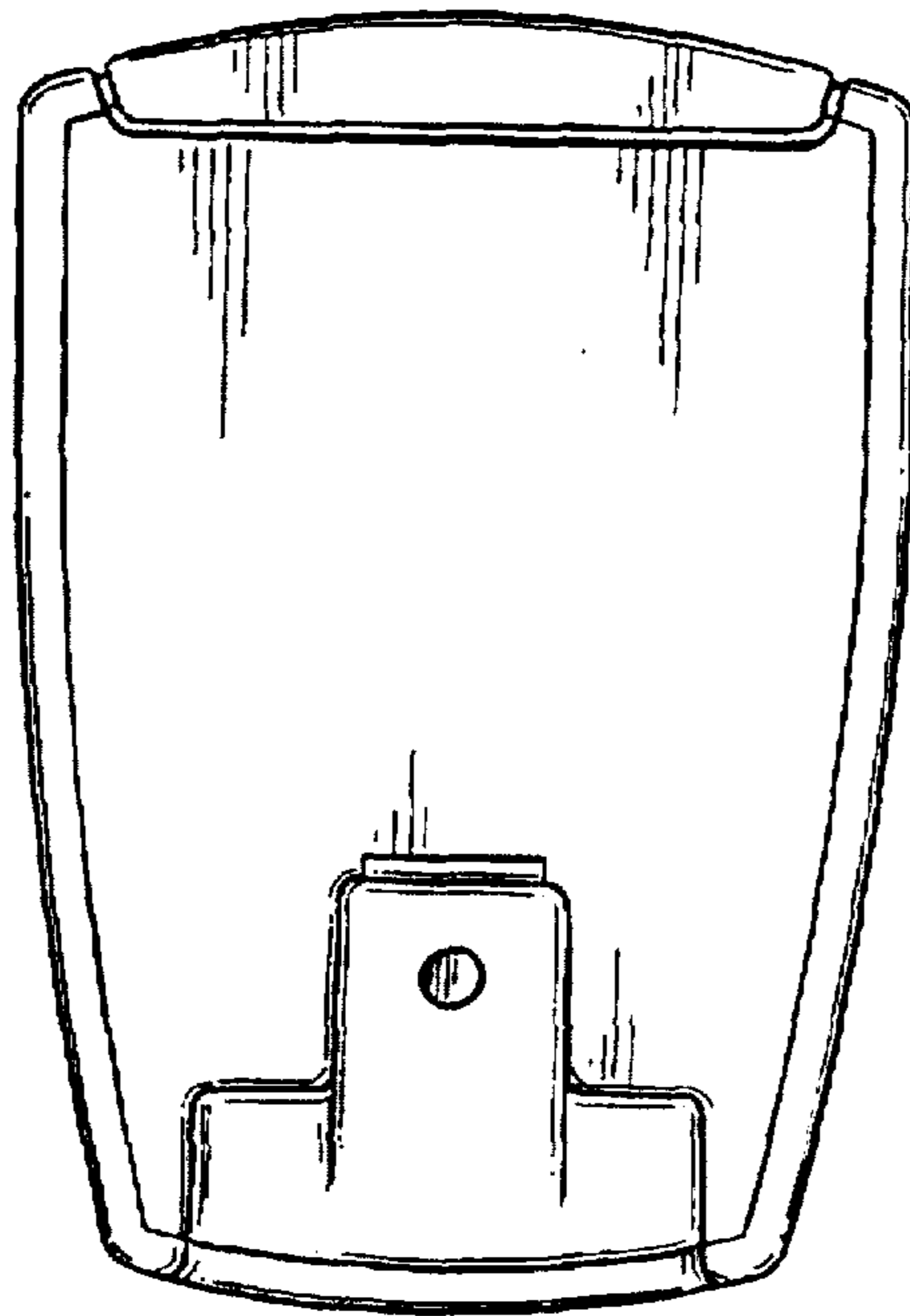


FIG. 14

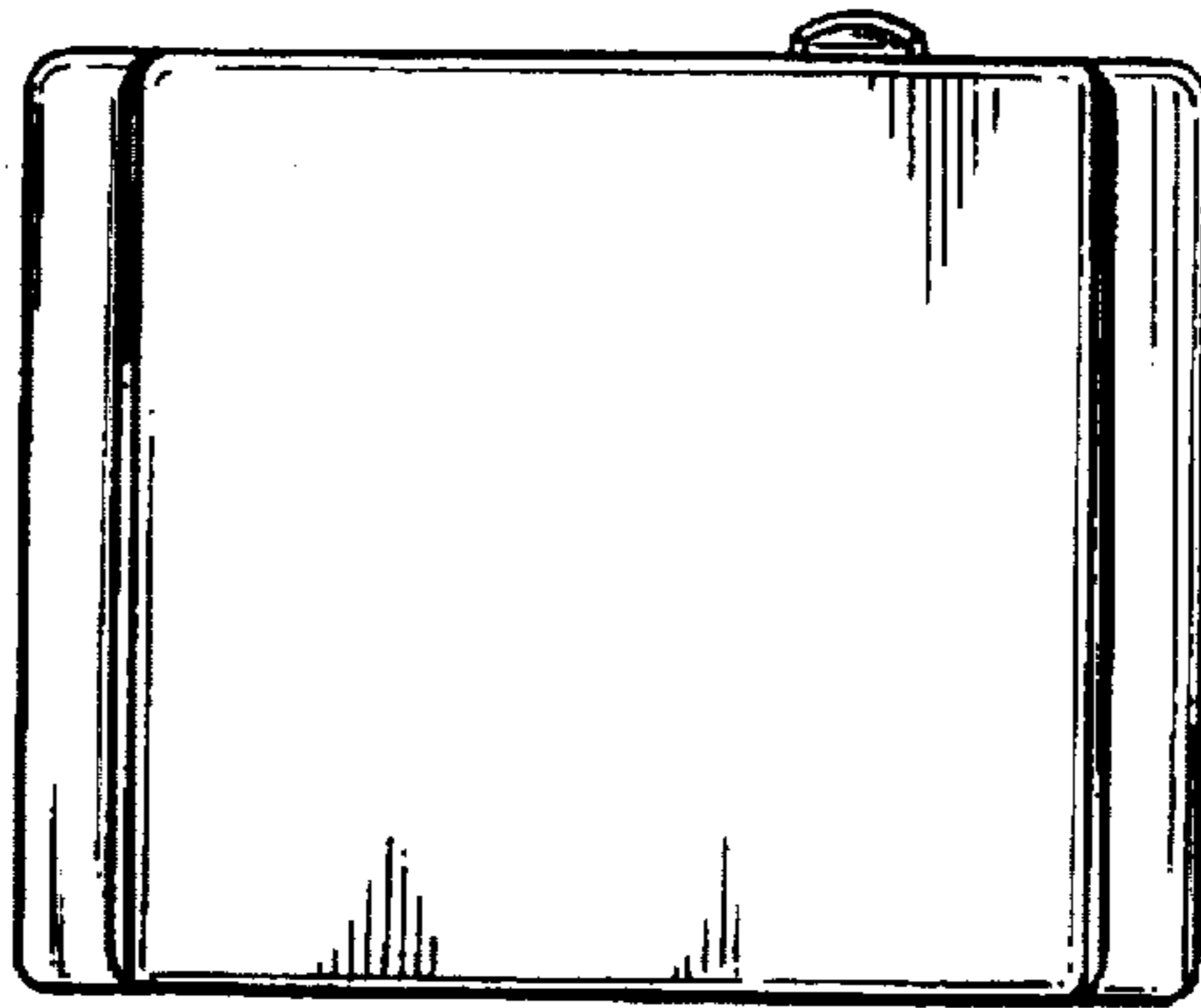


FIG. 15

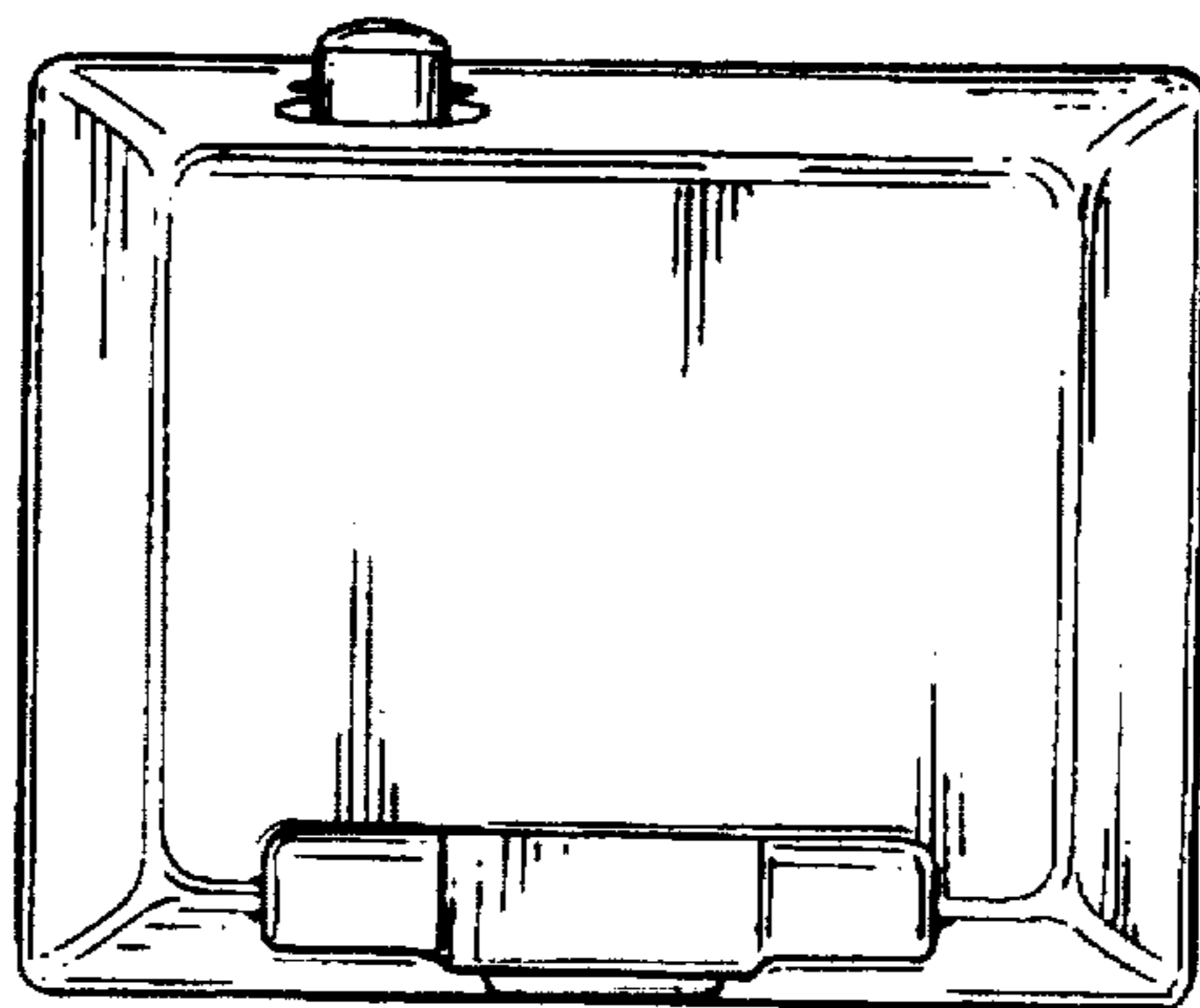


FIG. 16

