



US00D397113S

United States Patent [19]
Masamitsu

[11] **Patent Number: Des. 397,113**
[45] **Date of Patent: **Aug. 18, 1998**

[54] **DISC PLAYER**

Attorney, Agent, or Firm—Foley & Lardner

[75] **Inventor: Satoshi Masamitsu, Tokyo, Japan**

[57] **CLAIM**

[73] **Assignee: Sony Corporation, Tokyo, Japan**

The ornamental design for a disc player, as shown and described.

[**] **Term: 14 Years**

DESCRIPTION

[21] **Appl. No.: 68,819**

FIG. 1 is a perspective view of a disc player showing my new design;

[22] **Filed: Mar. 28, 1997**

FIG. 2 is a top plan view thereof;

[30] **Foreign Application Priority Data**

Sep. 30, 1996 [JP] Japan 8-29208

FIG. 3 is a left side elevational view thereof, the right side elevational view being a mirror image;

[51] **LOC (6) Cl. 14-01**

[52] **U.S. Cl. D14/156**

[58] **Field of Search D14/156, 157, D14/136, 257, 258; 369/75.1, 75.2, 77.1, 77.2; 455/344-349**

FIG. 4 is a front elevational view thereof;

FIG. 5 is a bottom plan view thereof;

FIG. 6 is a rear elevational view thereof;

[56] **References Cited**

U.S. PATENT DOCUMENTS

- D. 350,352 9/1994 Tsuge D14/156
- D. 352,712 11/1994 Wada D14/156
- D. 352,713 11/1994 Sato D14/156
- D. 359,520 6/1995 Hsu D14/156
- D. 371,362 7/1996 Deguchi D14/156

FIG. 7 is a front elevational view of a second embodiment of a disc player showing my new design, wherein, in the second embodiment, the center lid portion of the first embodiment shown in FIG. 1 is moved upward; and,

FIG. 8 is a perspective view thereof, wherein the cover portion is in the open position, the portion shown in broken lines is for illustrative purposes only and forms no part of claimed design.

OTHER PUBLICATIONS

Sony "Portable Audio Catalog-Walkman"; models D-365 and D-265; Oct. 1996.

Primary Examiner—B. J. Bullock

1 Claim, 3 Drawing Sheets

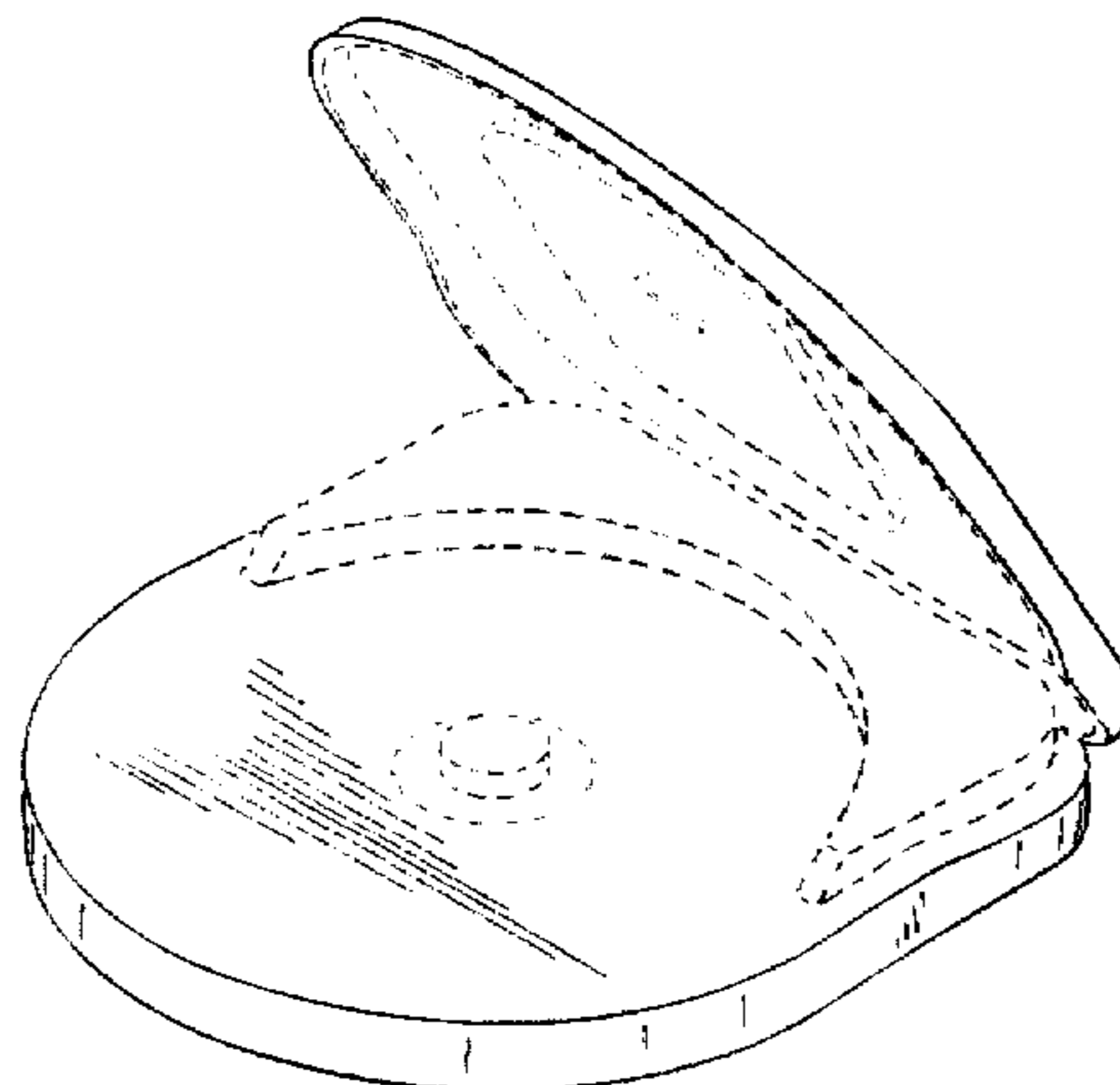
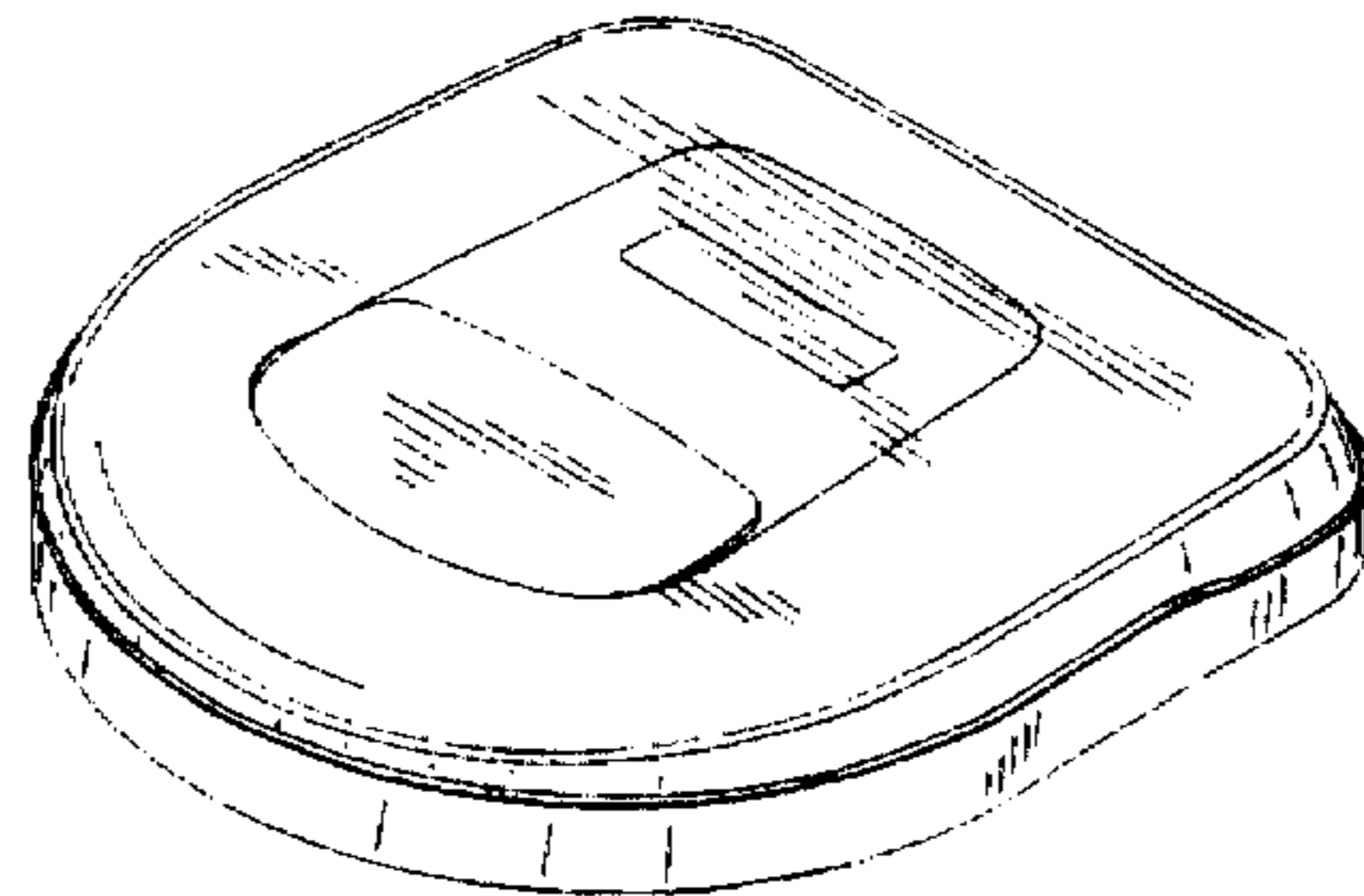


FIG. 1

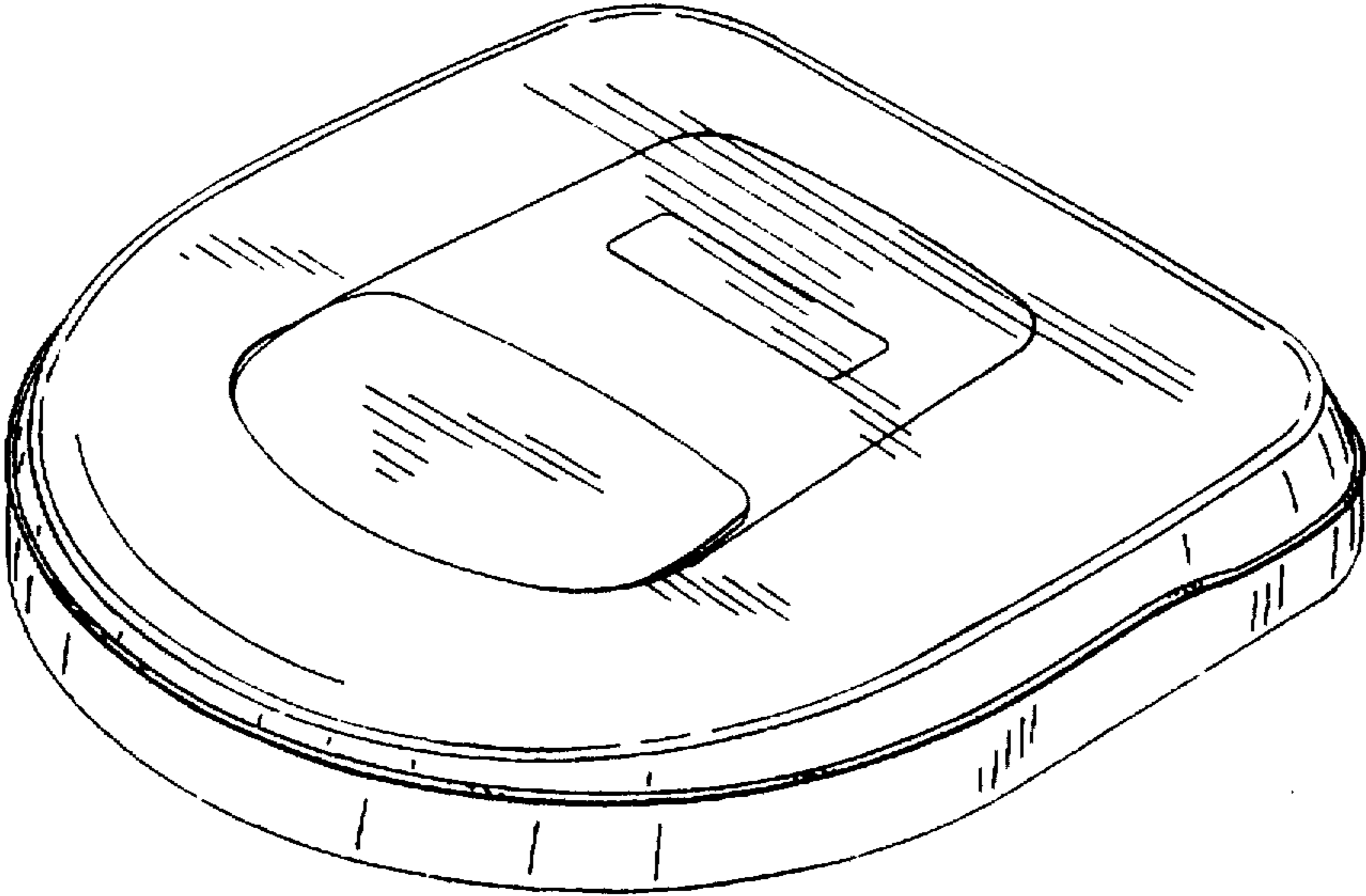


FIG. 8

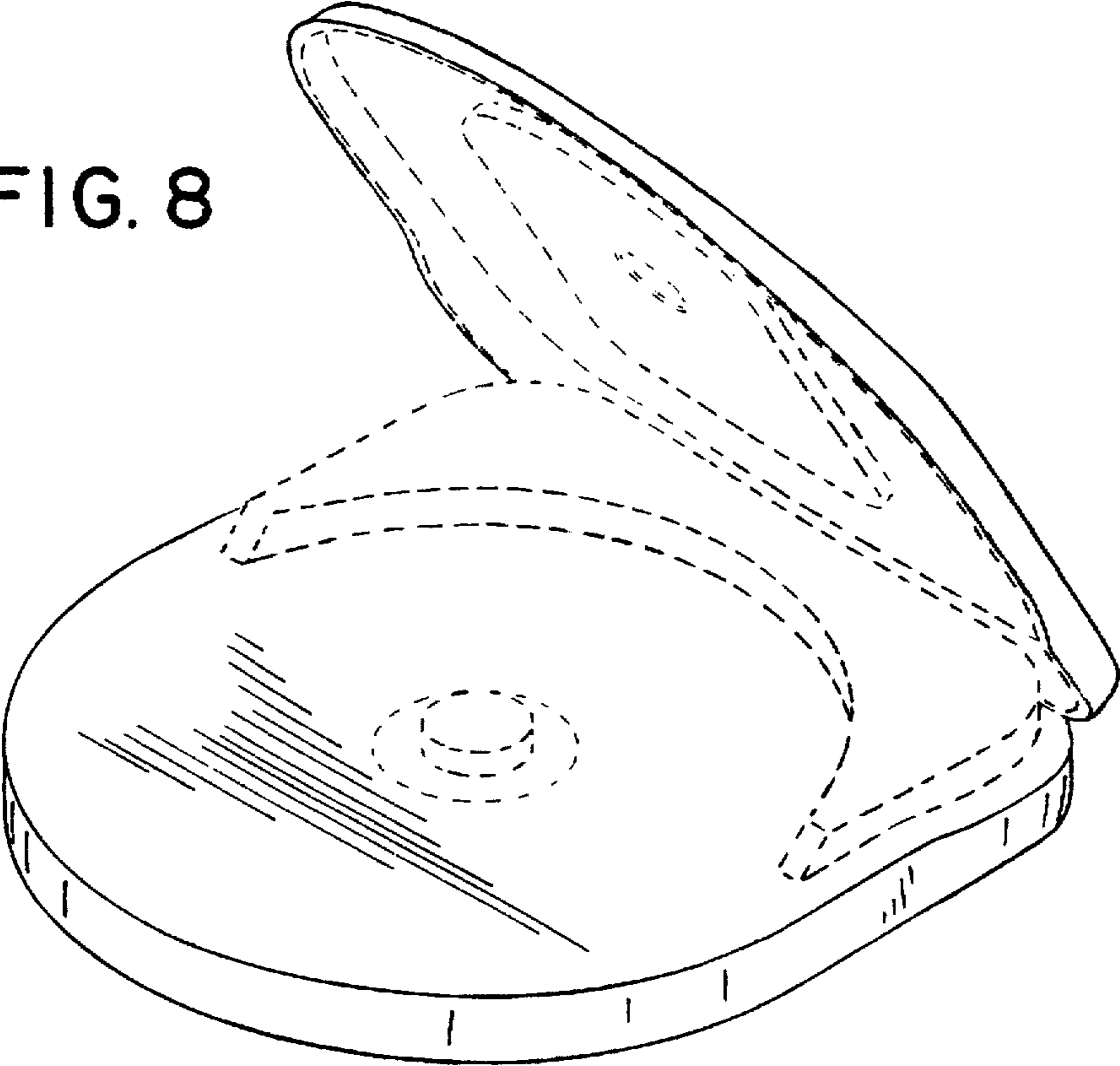


FIG. 2

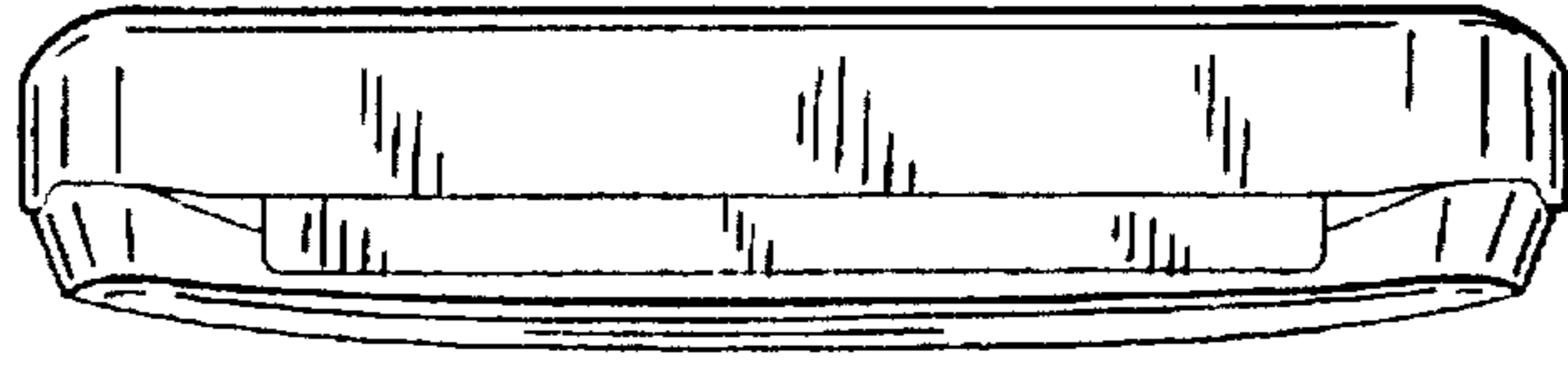


FIG. 3

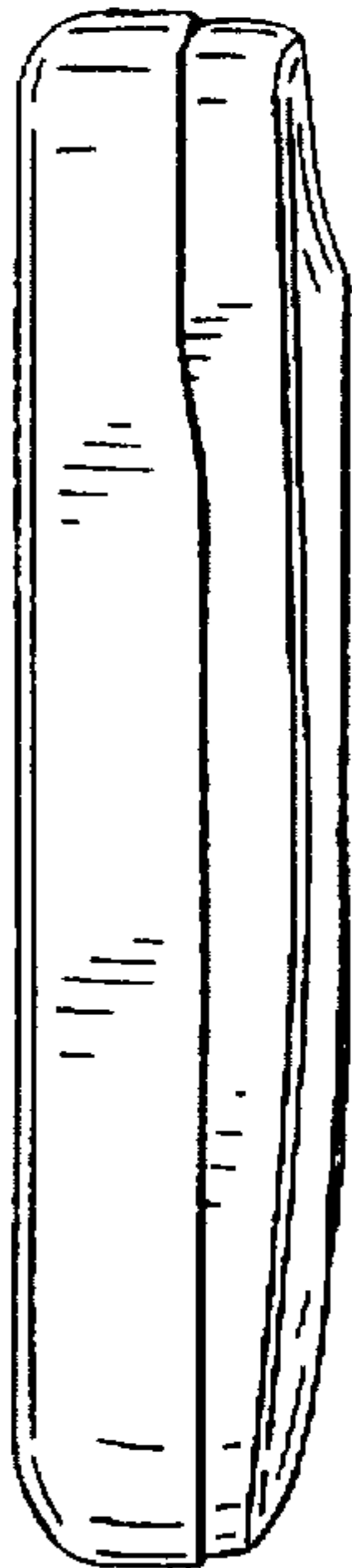


FIG. 4

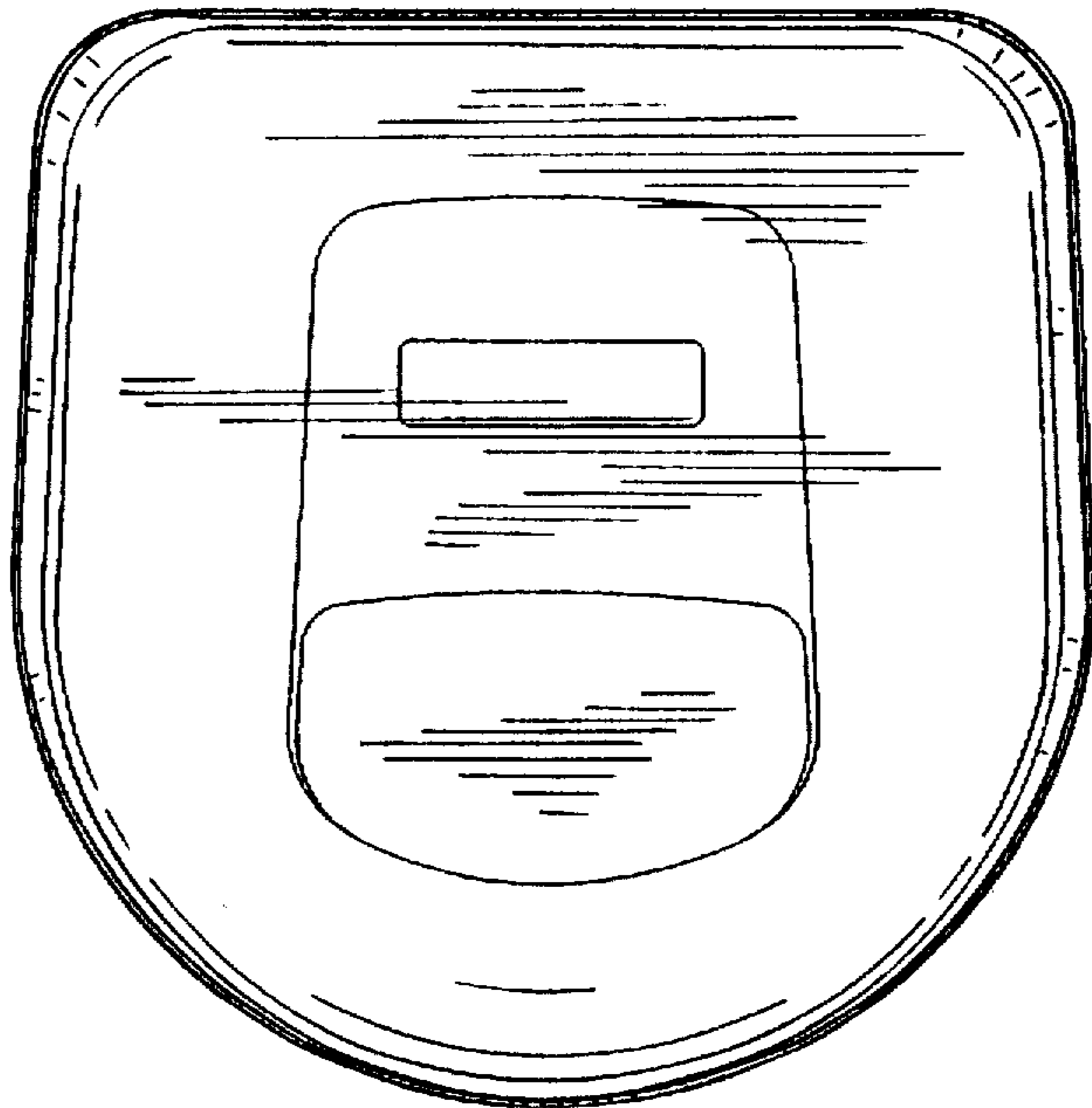


FIG. 5

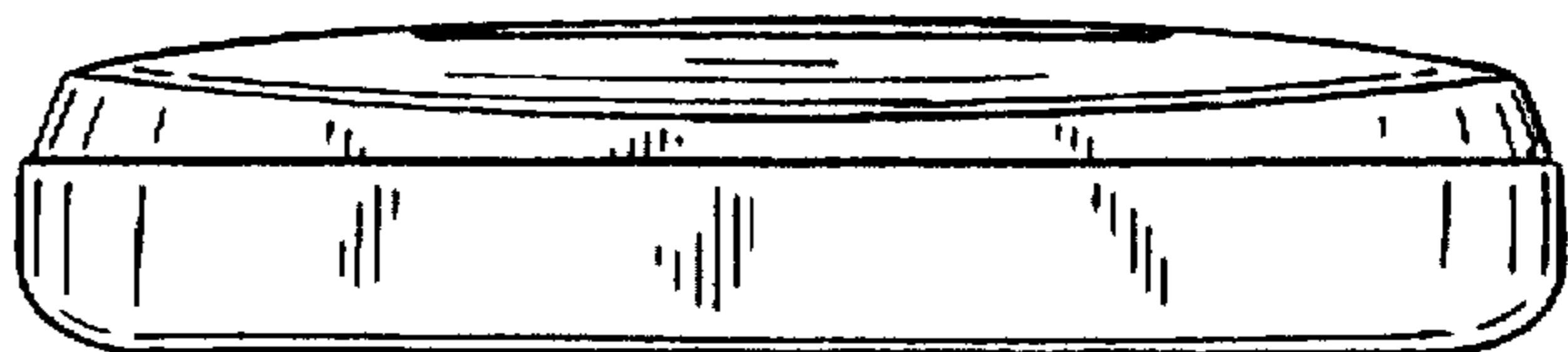


FIG. 6

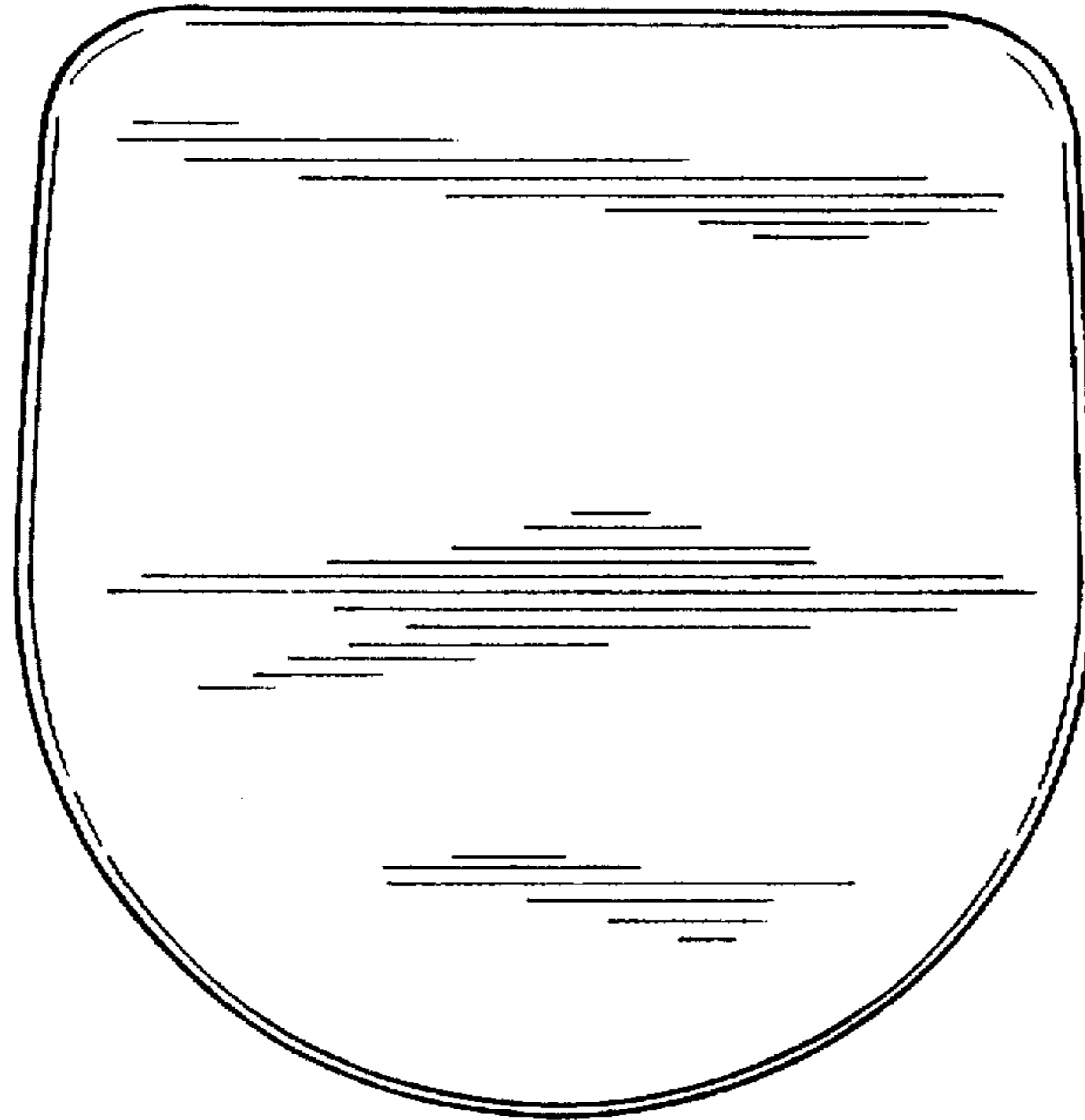


FIG. 7

