



US00D397111S

United States Patent [19]

Prins et al.

[11] Patent Number: Des. 397,111

[45] Date of Patent: **Aug. 18, 1998

[54] TELEPHONE

[75] Inventors: **Hajo Jelmer Prins**, Delft; **René Johan van Geer**, Rijswijk, both of Netherlands

[73] Assignee: **Ditte N.V.**, Netherlands Antilles

[**] Term: **14 Years**

[21] Appl. No.: **63,857**

[22] Filed: **Dec. 17, 1996**

[30] Foreign Application Priority Data

Jun. 19, 1996 [NL] Netherlands 7201502

[51] LOC (6) Cl. **14-03**

[52] U.S. Cl. **D14/151**

[58] Field of Search D14/137, 138, D14/140, 142, 147-151, 240, 241, 143, 144, 243; 379/419, 420, 428, 440, 434-436, 454, 455; D21/111

[56] References Cited

U.S. PATENT DOCUMENTS

D. 202,191	9/1965	Divietro	D14/243
D. 203,750	2/1966	Henrietta	D14/151
D. 286,401	10/1986	Asaki	D14/151
D. 307,141	4/1990	Raggi et al.	D14/151
D. 309,138	7/1990	Azpeitia Ortiz De Arri	D14/151
D. 339,132	9/1993	Roegner	D14/151
D. 339,133	9/1993	Roegner	D14/151
D. 363,285	10/1995	Vessey et al.	D14/151
D. 367,621	3/1996	Lee	D14/142 X
D. 370,012	5/1996	Zeitman	D14/151
D. 370,674	6/1996	Zeitman	D14/151
D. 372,028	7/1996	Mo	D14/241 X
D. 374,008	9/1996	Zeitman	D14/151

D. 375,310	11/1996	Wooldridge	D14/151
D. 375,740	11/1996	Mergenthaler et al.	D14/151

OTHER PUBLICATIONS

1992 spring/summer B.A. Pargh catalog, p. 323, Lonestar, The Mega Phone, 2nd from top right.
1992 spring/summer B.A. Pargh catalog, p. 322, Big Button & Buttons Plus Telephones at center.

Primary Examiner—Jeffrey Asch
Attorney, Agent, or Firm—Ladas & Parry

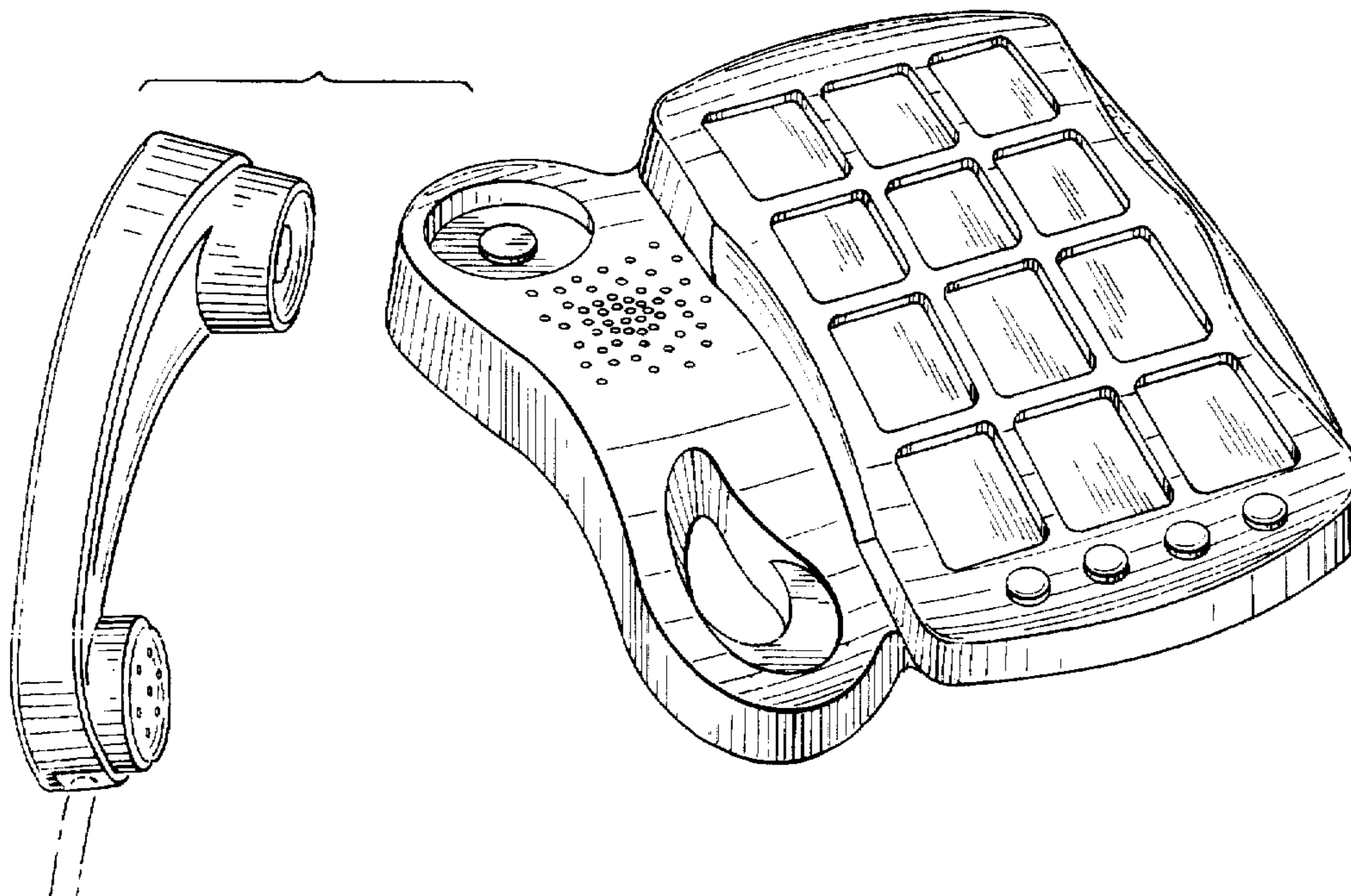
[57] CLAIM

The ornamental design for a telephone, as shown and described.

DESCRIPTION

FIG. 1 is a perspective view of the telephone showing our new design including a telephone base and a telephone handset;
FIG. 2 is a rear elevational view of the telephone base;
FIG. 3 is a top plan view thereof;
FIG. 4 is a front elevational view thereof;
FIG. 5 is a left side elevational view thereof;
FIG. 6 is a bottom plan view thereof;
FIG. 7 is a right side elevational view thereof;
FIG. 8 is a top plan view of the telephone handset;
FIG. 9 is a left side elevational view thereof;
FIG. 10 is a bottom plan view thereof;
FIG. 11 is a rear elevational view thereof; and,
FIG. 12 is a front elevational view thereof.
The telephone base and handset have been shown separately in FIGS. 2-12 for convenience of illustration.
The broken line showing of FIG. 1 is for illustrative purposes only and forms no part of the claimed design.

1 Claim, 4 Drawing Sheets



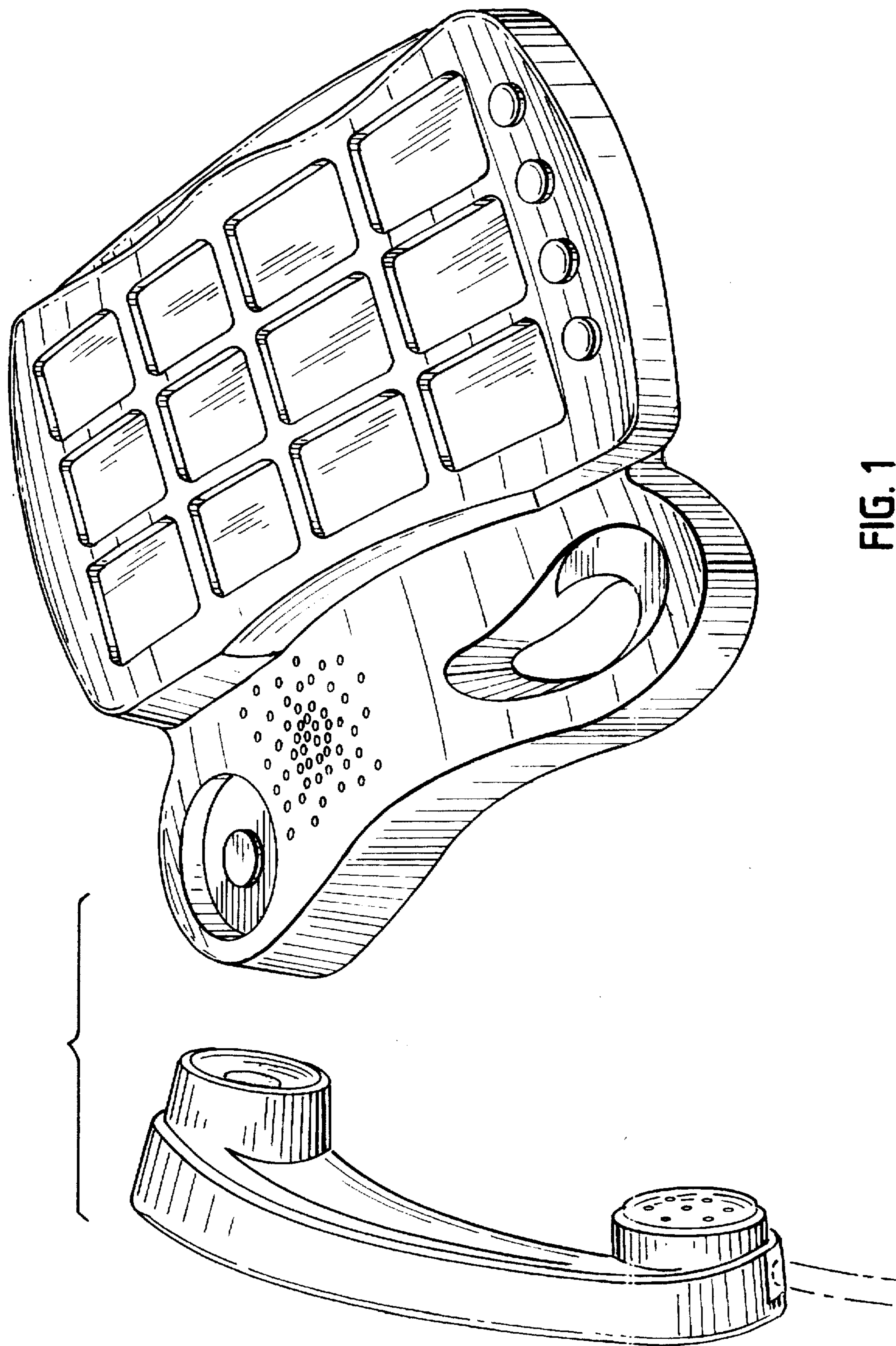


FIG. 1

FIG. 2

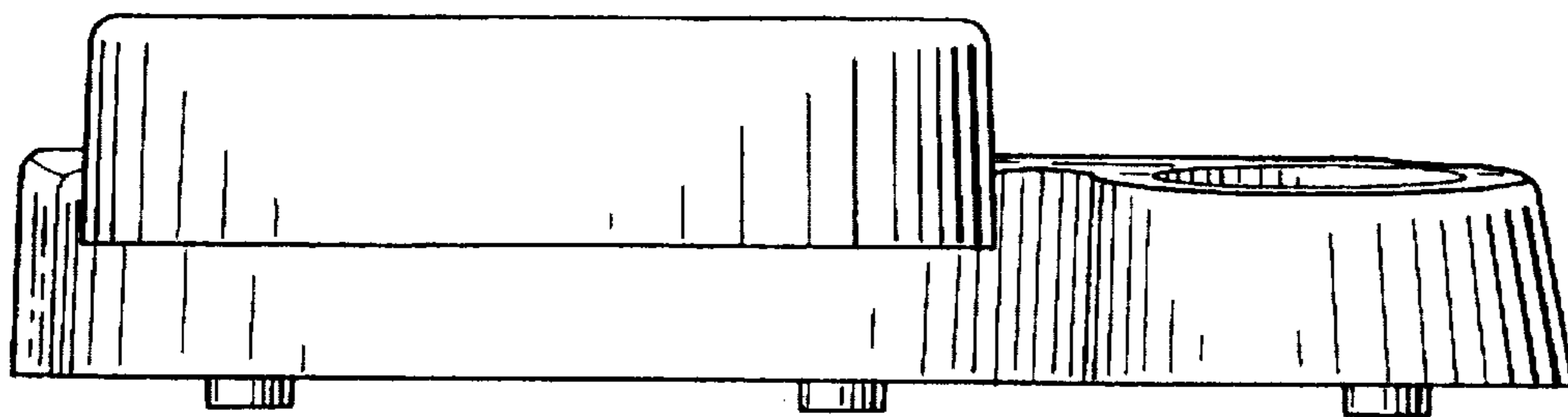


FIG. 3

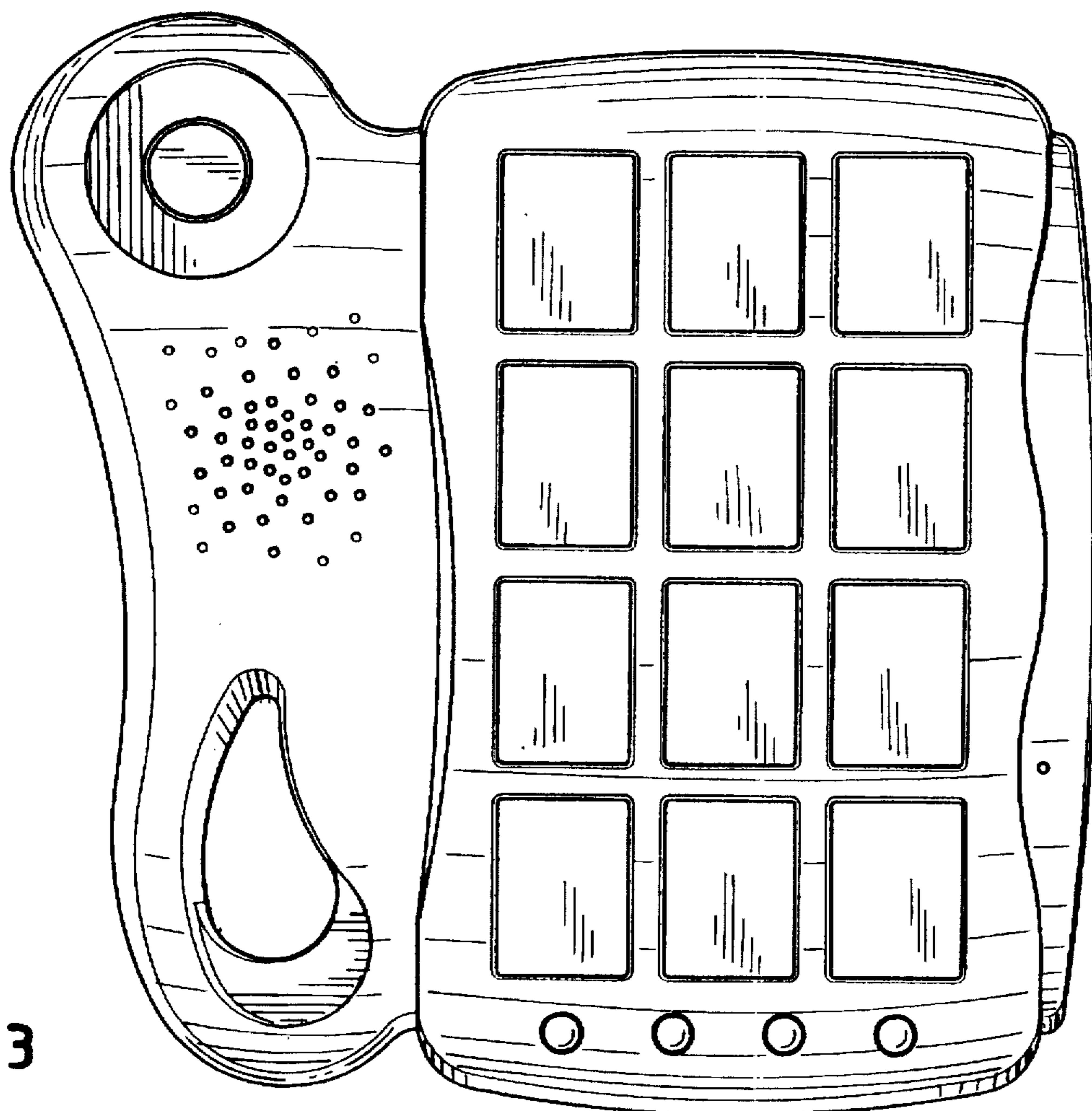


FIG. 4

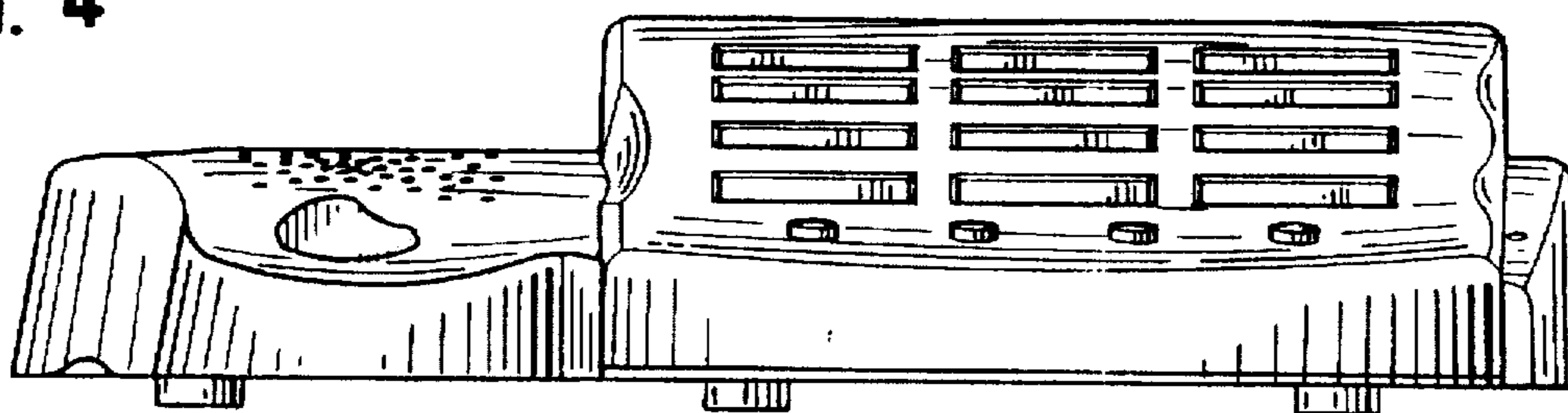


FIG. 5

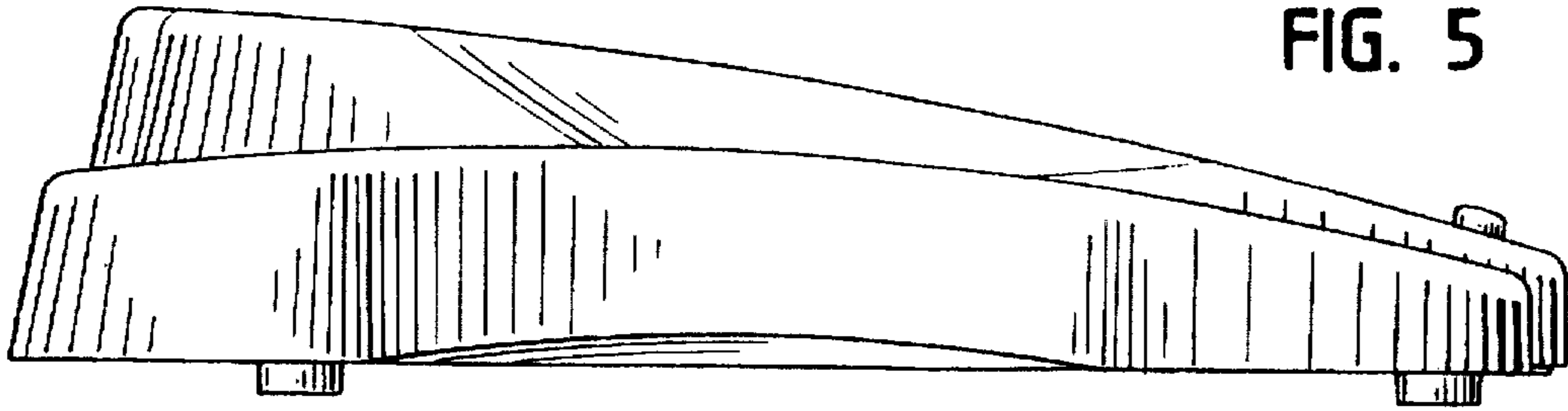


FIG. 6

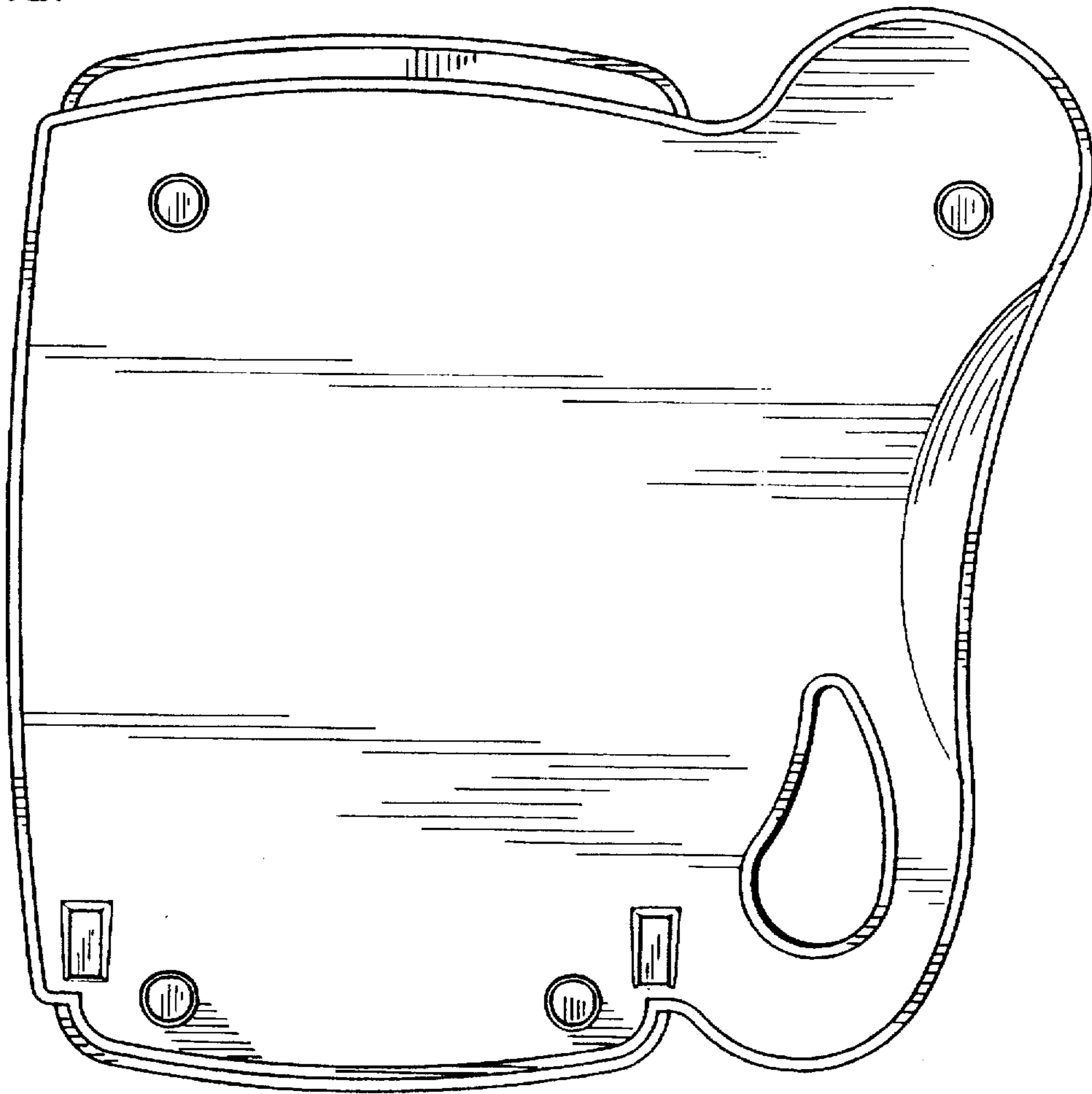


FIG. 7



FIG. 8

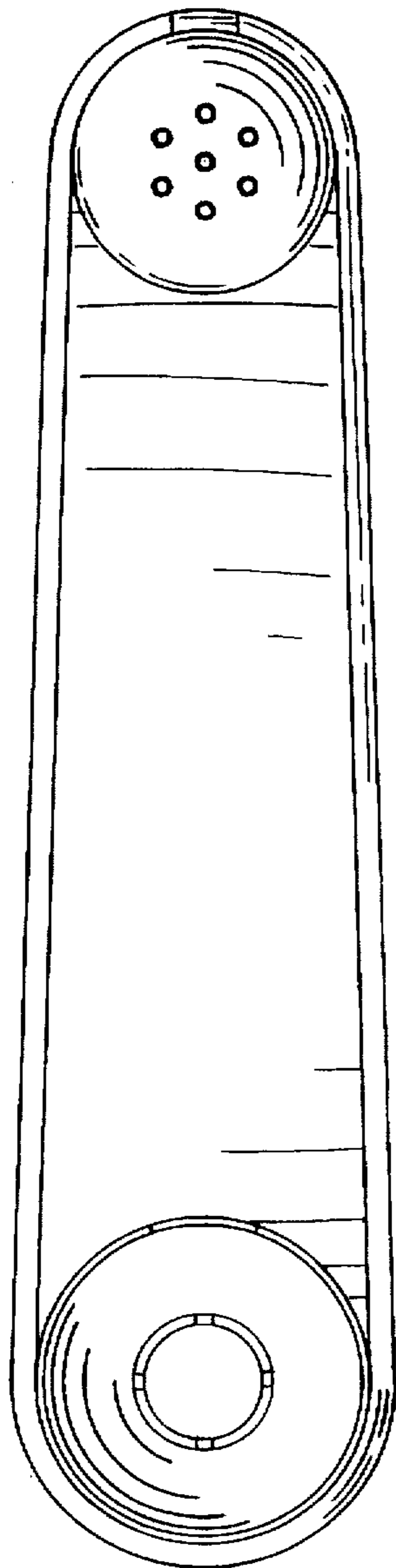


FIG. 9

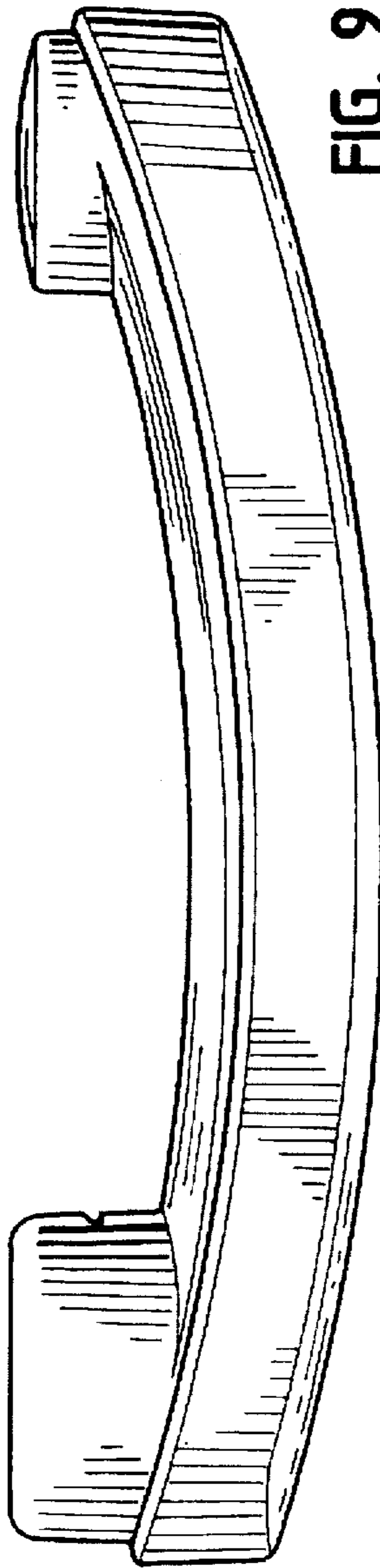


FIG. 10

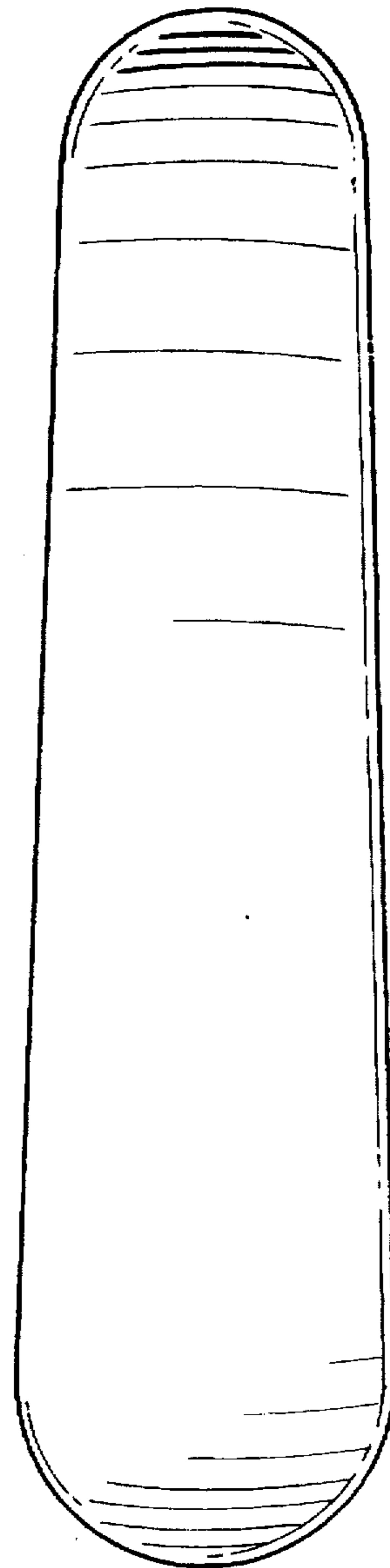


FIG. 11

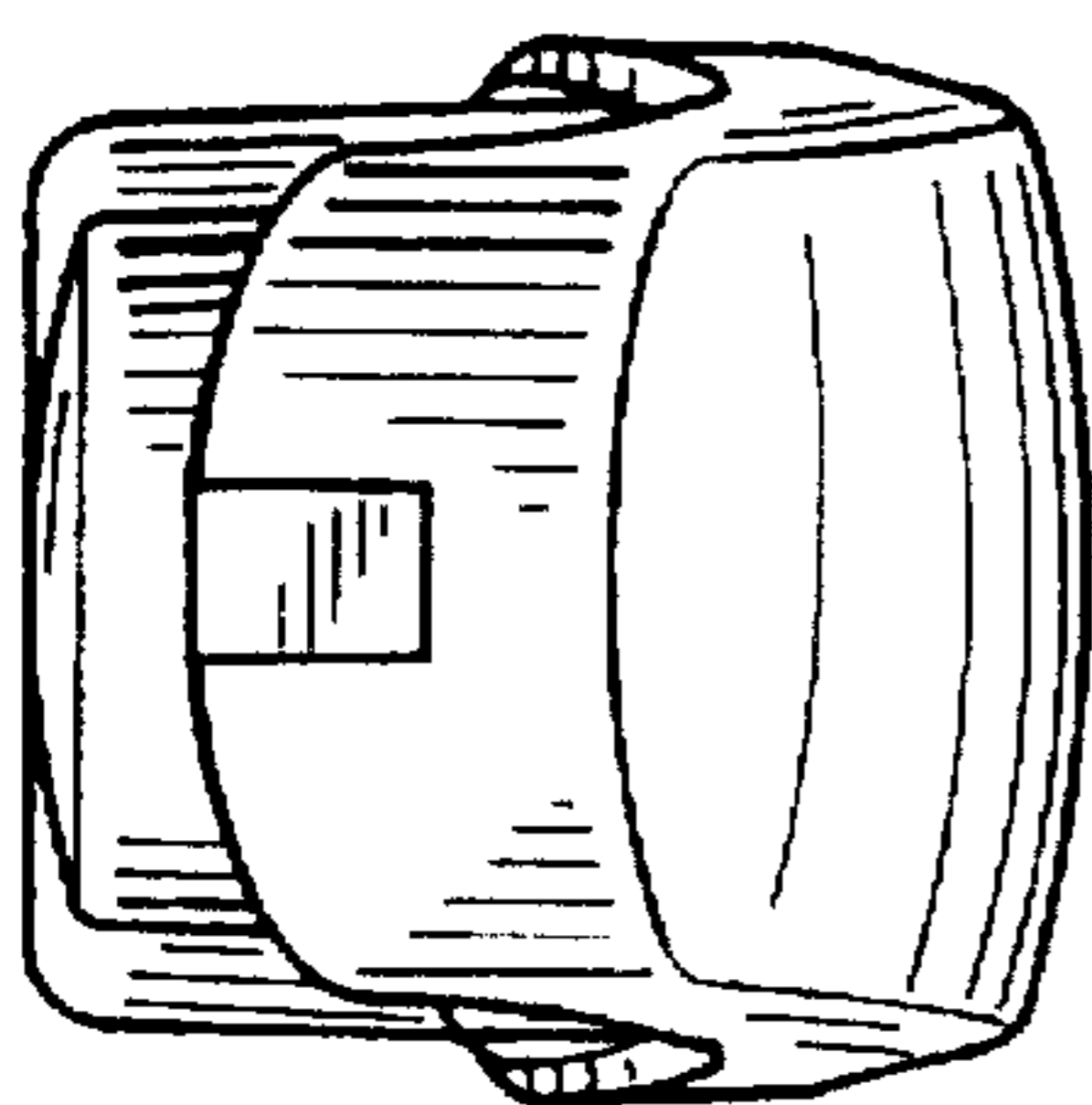


FIG. 12

