



US00D397110S

# United States Patent [19]

Kulberg et al.

[11] Patent Number: Des. 397,110

[45] Date of Patent: \*\*Aug. 18, 1998

[54] PORTABLE TELEPHONE

[75] Inventors: Eric C. Kulberg, San Diego, Calif.;  
Roy K. Fischer, Scottsdale, Ariz.;  
Randall K. Toltzman, Scottsdale, Ariz.;  
Ransom A. Brown, Scottsdale, Ariz.

[73] Assignee: Qualcomm Incorporated, San Diego, Calif.

[\*\*] Term: 14 Years

[21] Appl. No.: 60,498

[22] Filed: Sep. 30, 1996

[51] LOC (6) Cl. .... 14-03

[52] U.S. Cl. .... D14/138

[58] Field of Search ..... D14/137, 138,  
D14/140, 142, 147-151, 240, 248; 379/58-61,  
419, 420, 428, 440, 433-436, 454, 455;  
455/89, 90

### [56] References Cited

#### U.S. PATENT DOCUMENTS

- D. 315,731 3/1991 Watanabe ..... D14/148
- D. 342,067 12/1993 Kawamura et al. .... D14/138
- D. 354,056 1/1995 Claxton et al. .... D14/138
- D. 358,148 5/1995 Nagele et al. .... D14/138
- D. 375,739 11/1996 Boykiw ..... D14/147

- D. 377,351 1/1997 Toki et al. .... D14/138
- 5,461,672 10/1995 Enokido et al. .... 379/434 X
- 5,577,269 11/1996 Ludewig ..... 455/89 X

Primary Examiner—Jeffrey Asch  
Attorney, Agent, or Firm—Russell B. Miller; Gregory D. Ograd

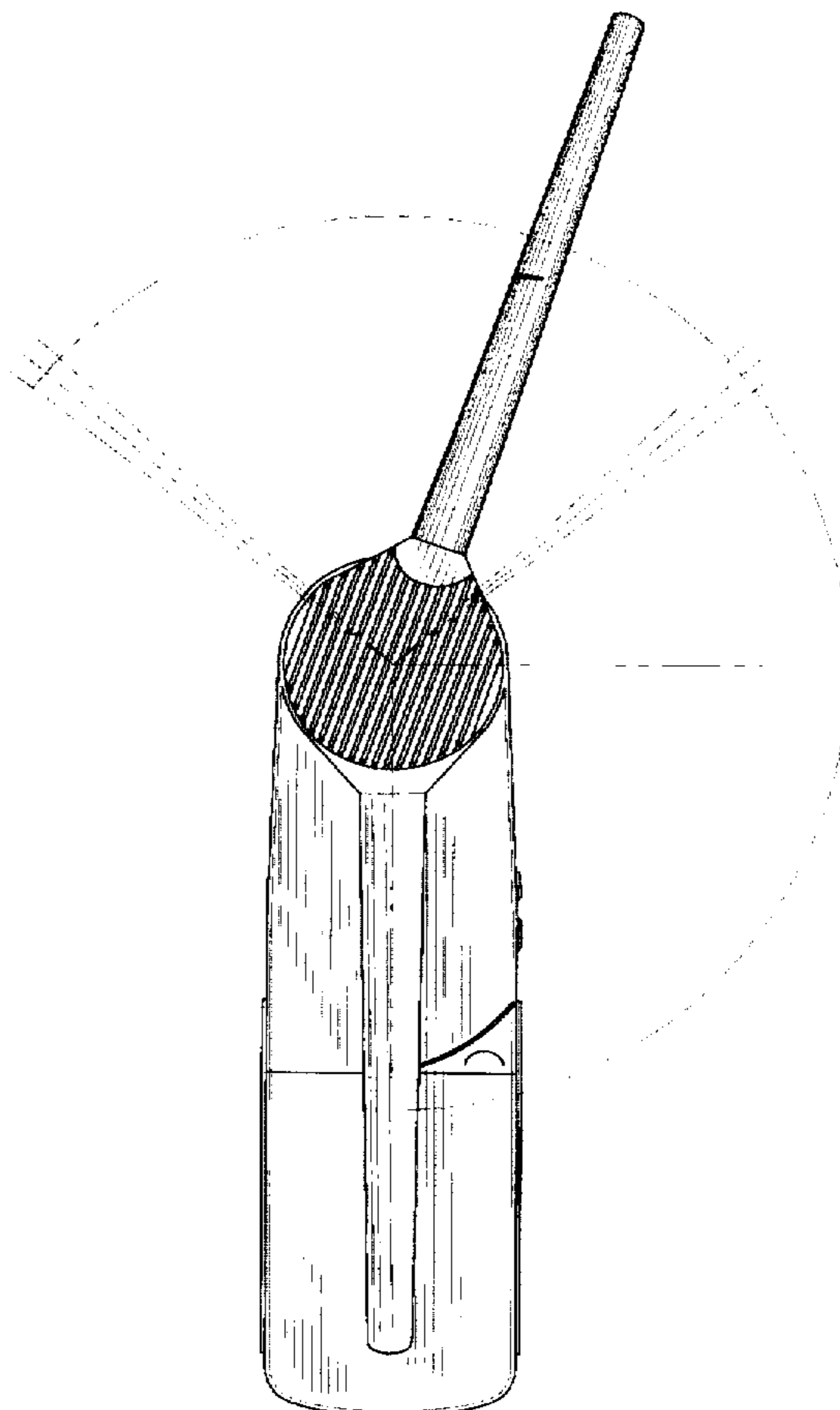
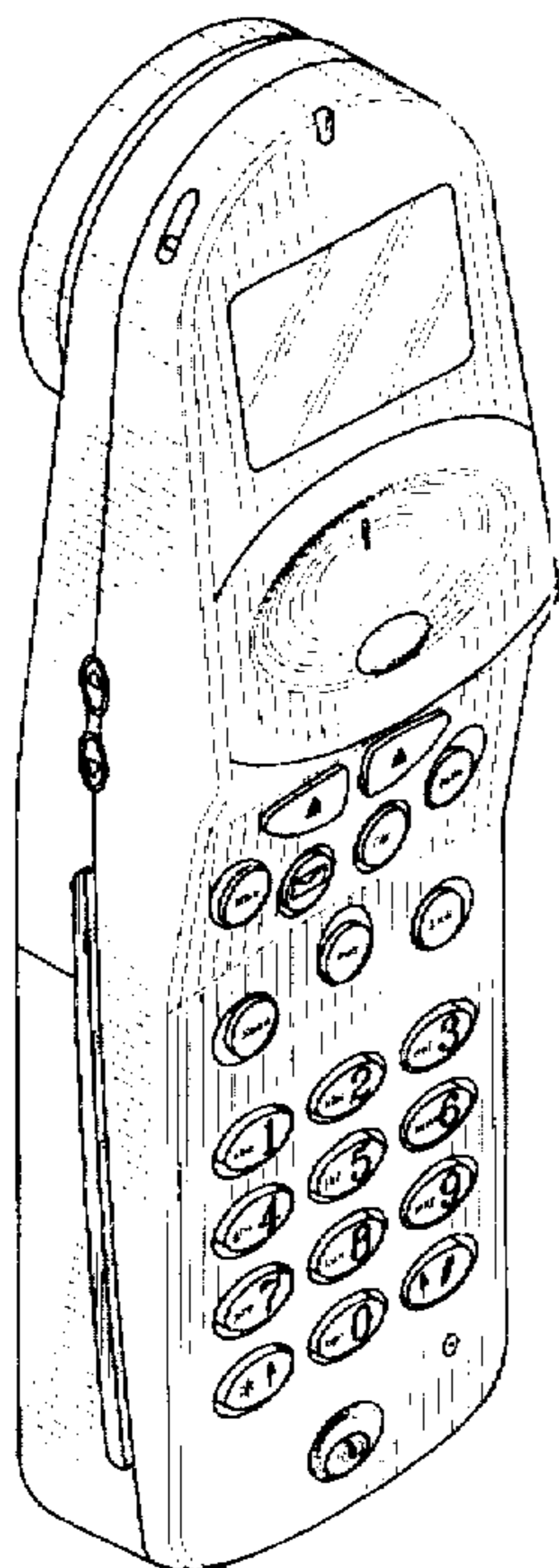
### [57] CLAIM

The ornamental design for a portable telephone, as shown and described.

### DESCRIPTION

FIG. 1 is a front perspective view of the telephone;  
 FIG. 2 is a rear perspective view thereof;  
 FIG. 3 is a front plan view thereof;  
 FIG. 4 is a side plan view thereof;  
 FIG. 5 is a rear plan view thereof;  
 FIG. 6 is an opposite side plan view thereof from FIG. 4;  
 FIG. 7 is a bottom plan view thereof;  
 FIG. 8 is a front plan view thereof with the antenna in a partially stowed position;  
 FIG. 9 is a front plan view thereof with the antenna in an alternate position for use, in one position within its 360 degree range of motion at reduced scale; and,  
 FIG. 10 is a rear plan view thereof with the antenna in an alternate position for use, in one position within its 360 degree range of motion at reduced scale.

1 Claim, 5 Drawing Sheets



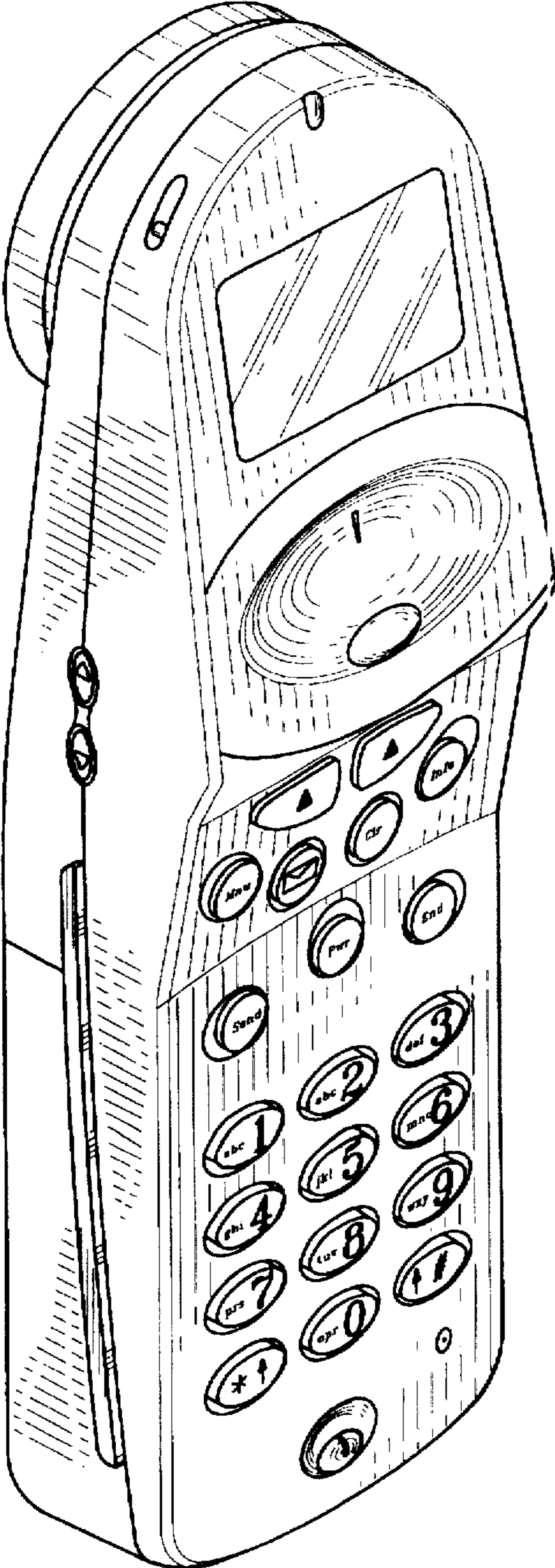


FIG. 1

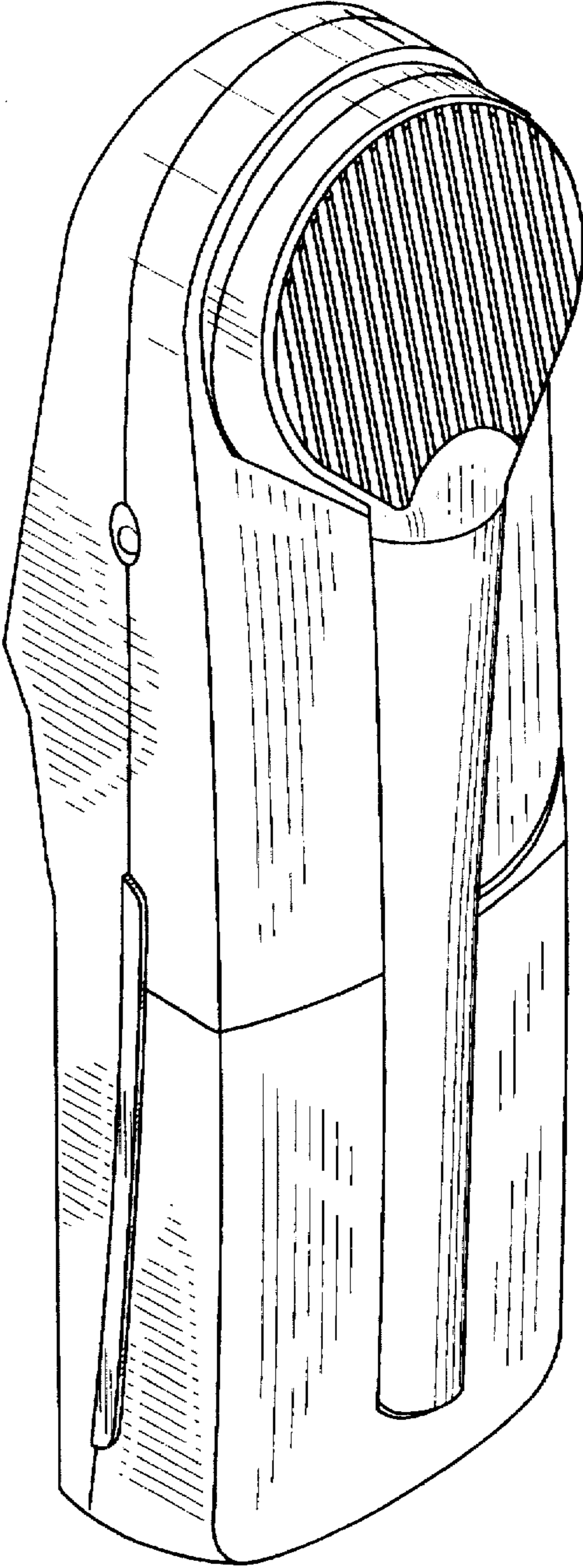


FIG. 2

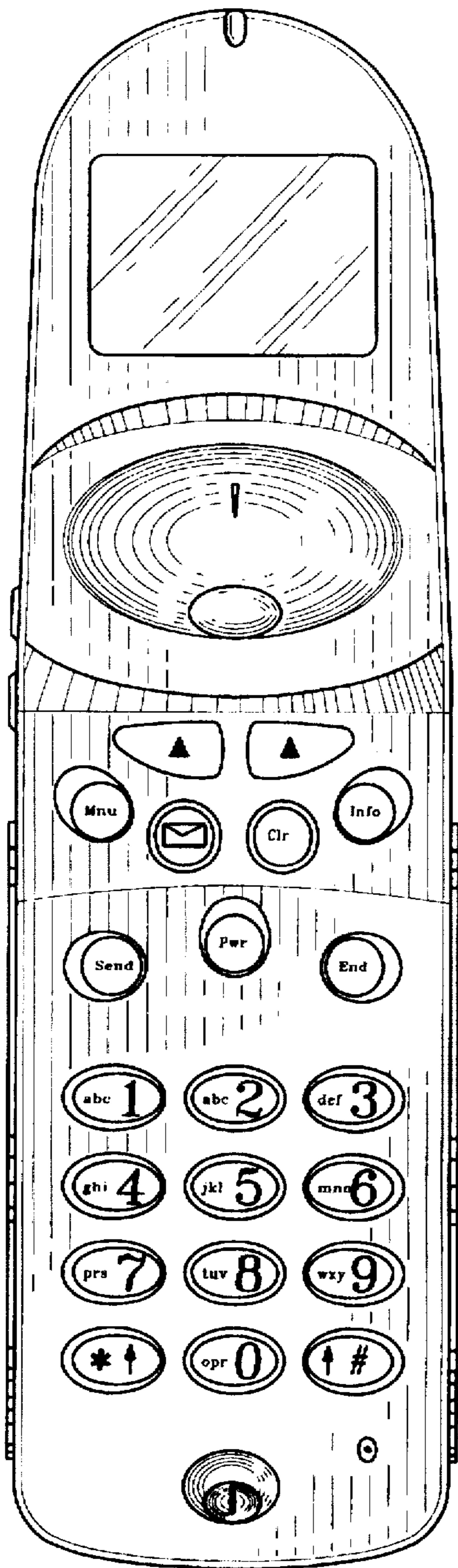


FIG. 3

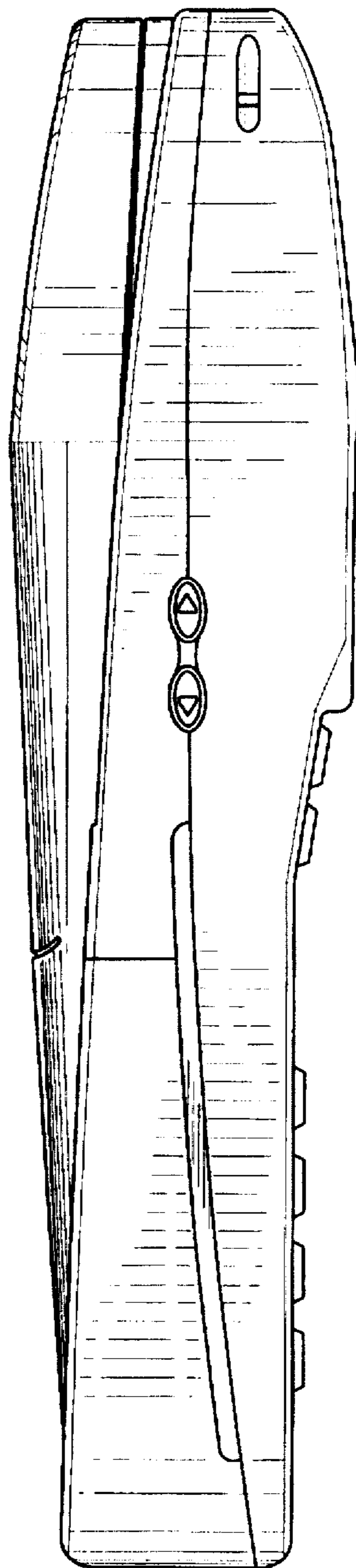


FIG. 4

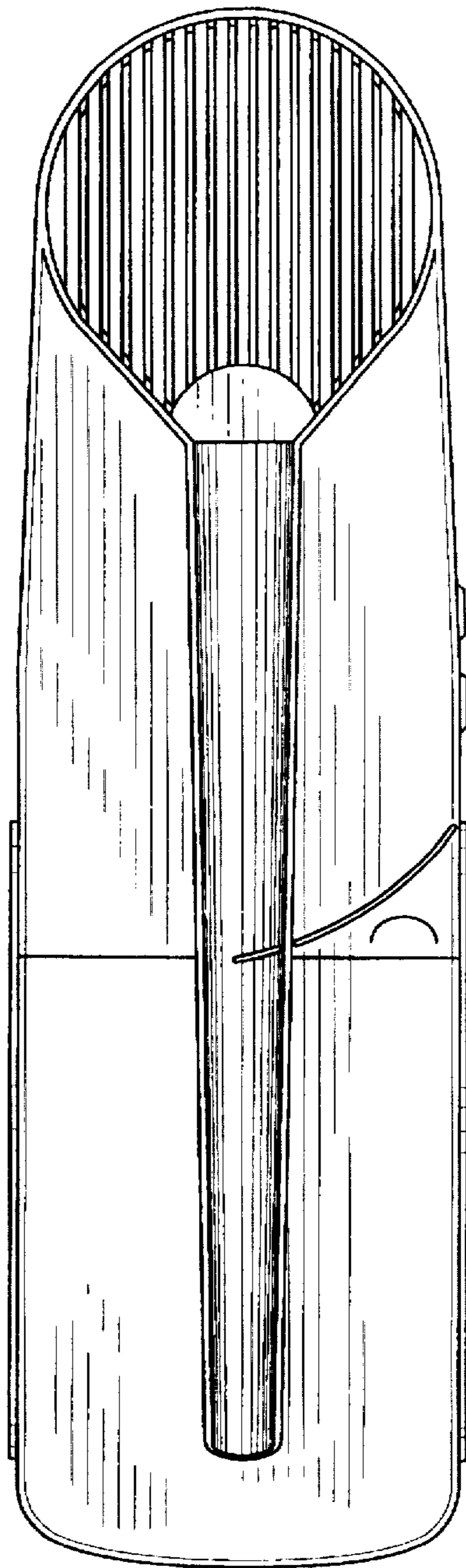


FIG. 5

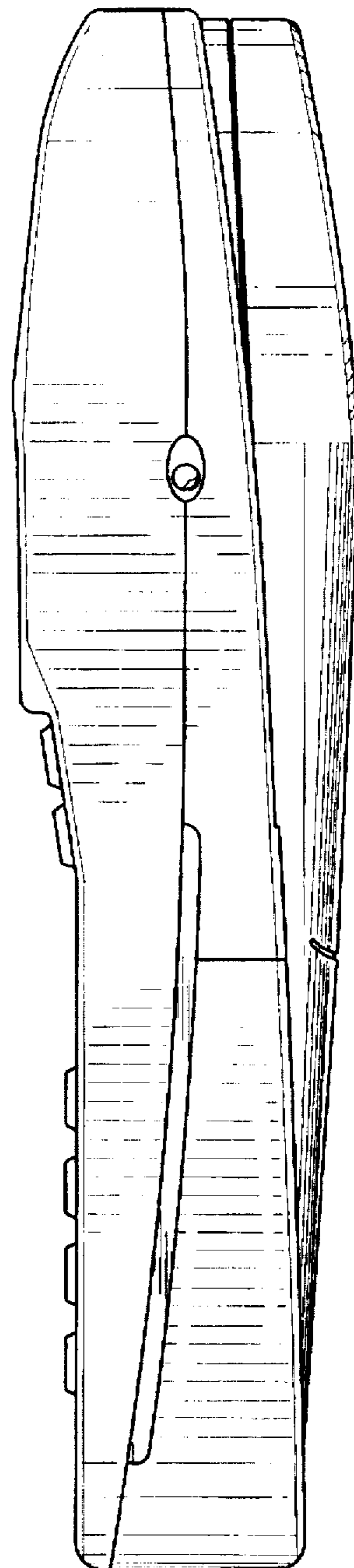


FIG. 6

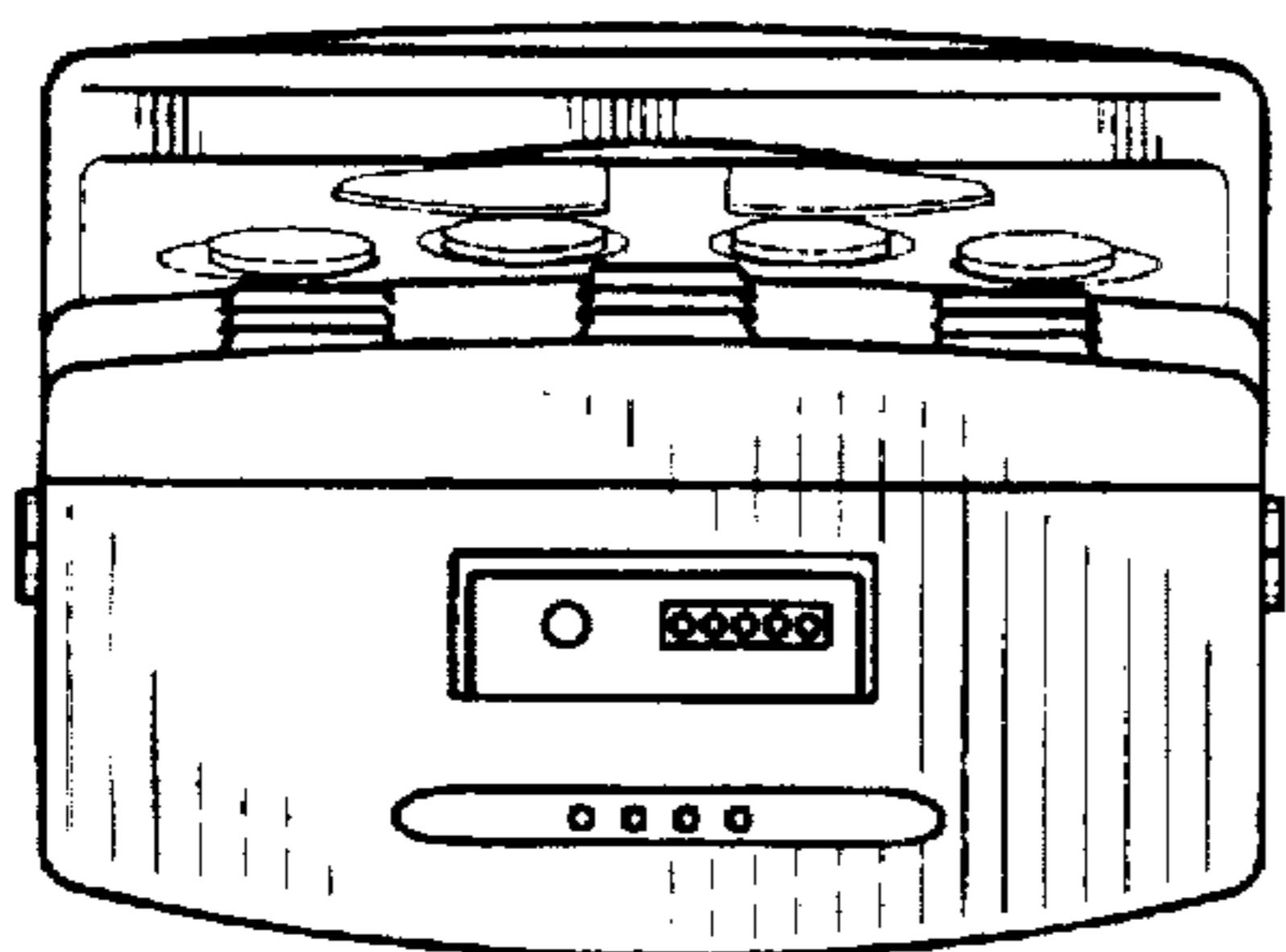


FIG. 7

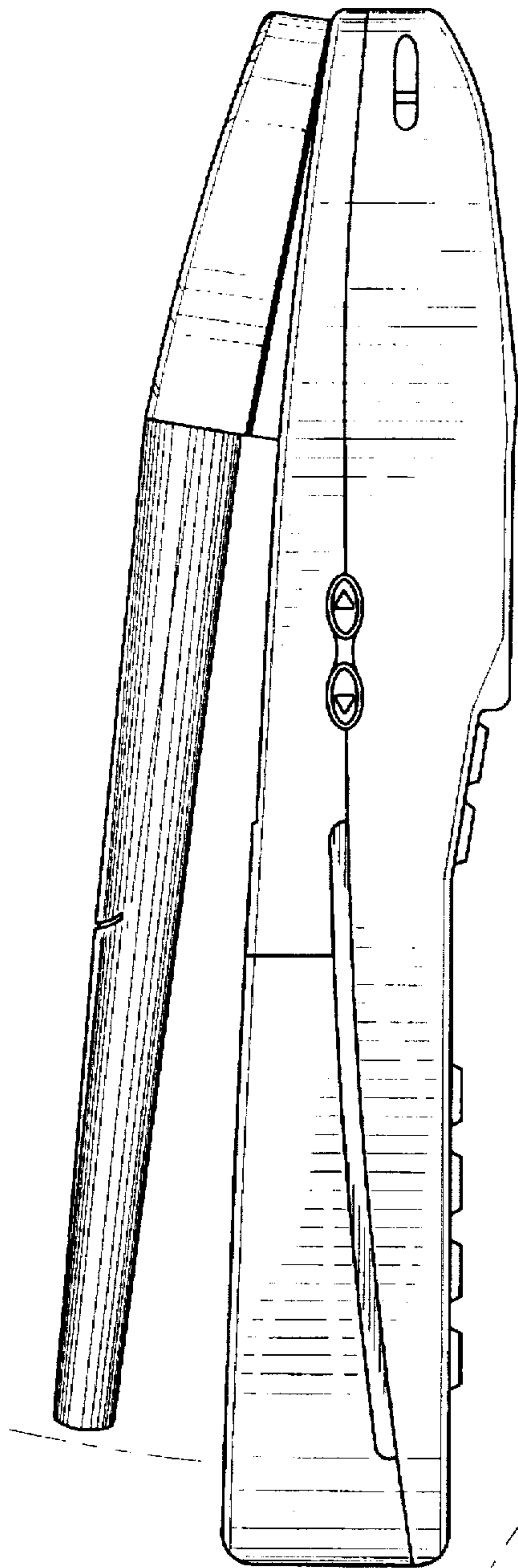


FIG. 8

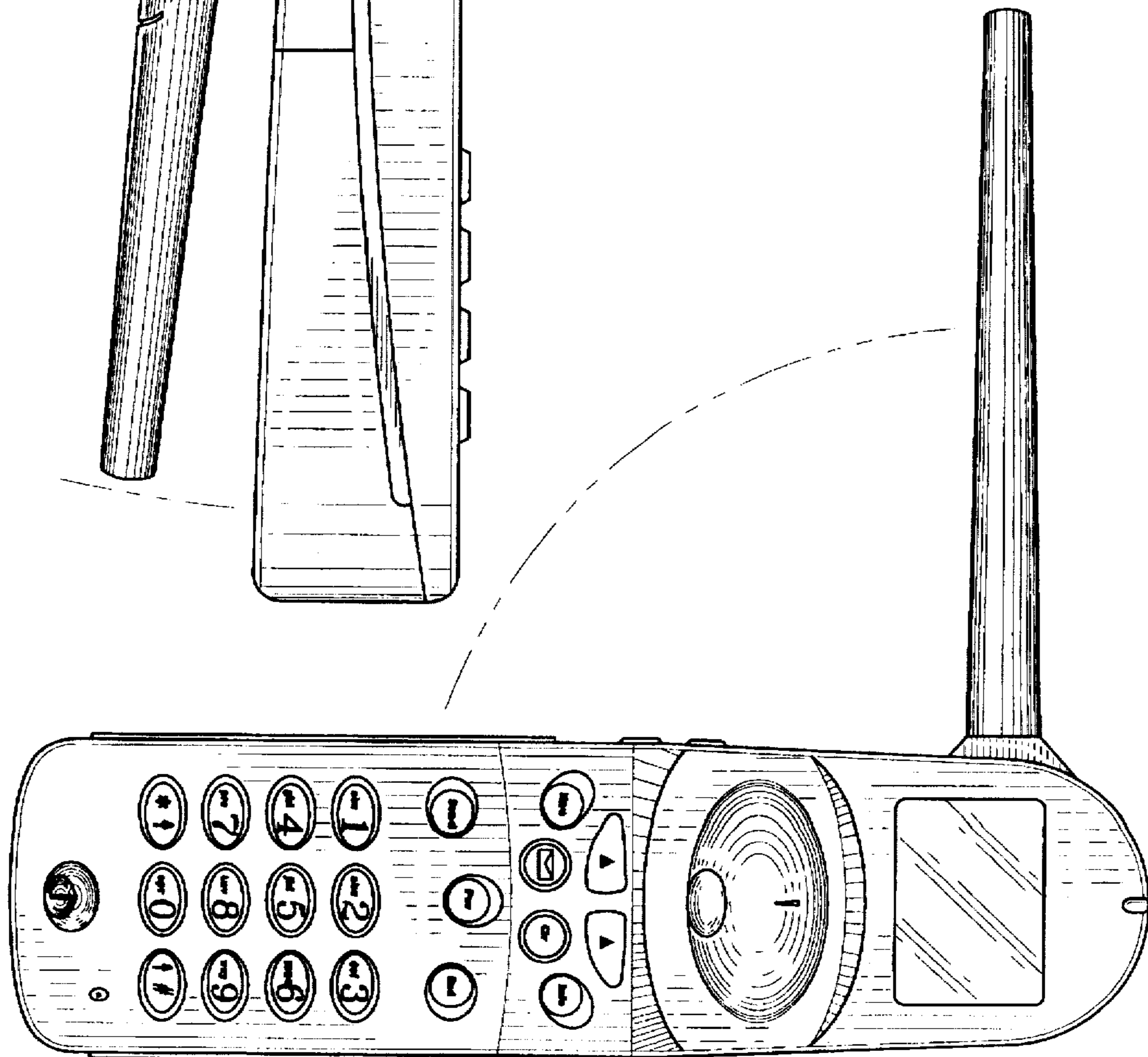


FIG. 9

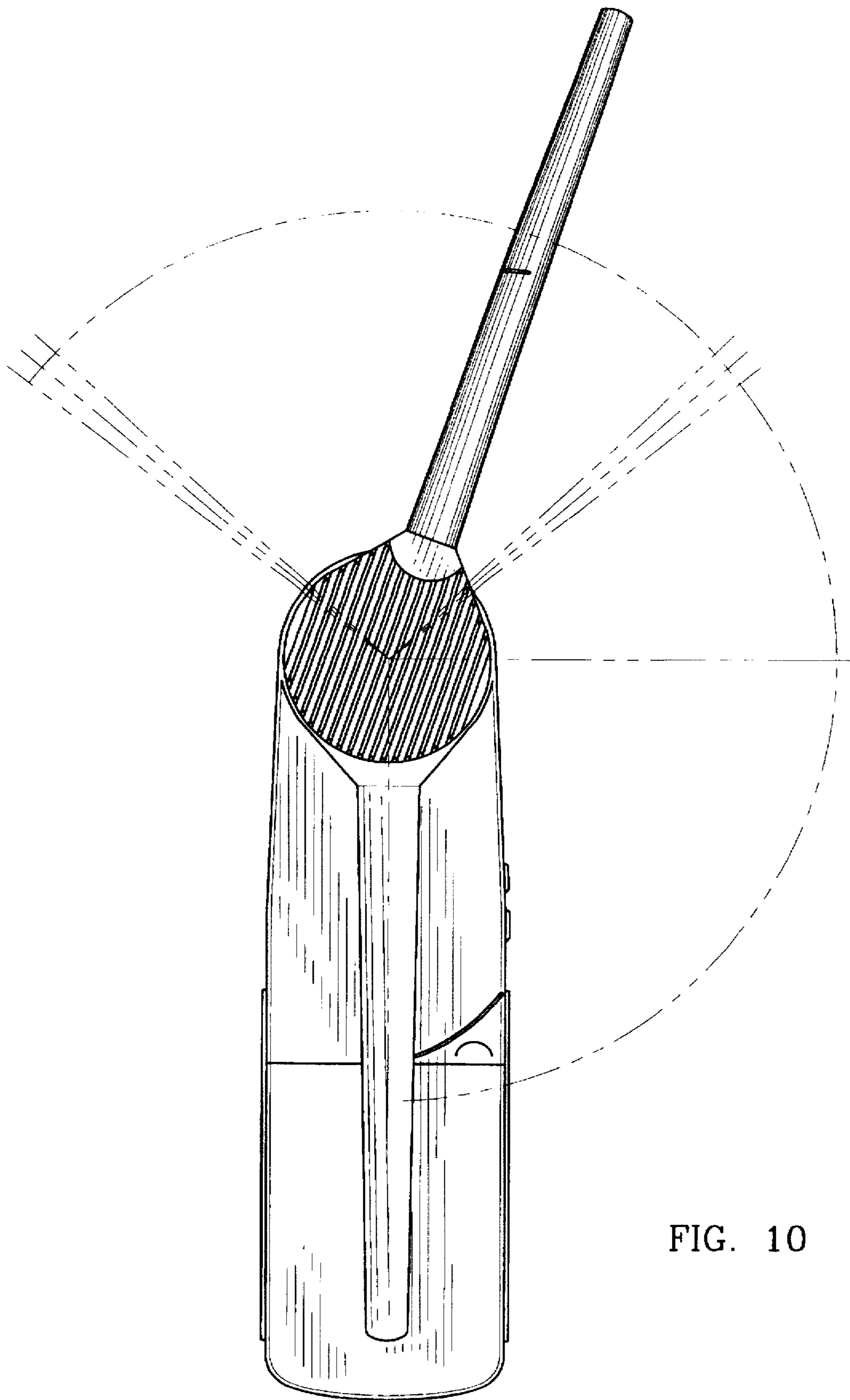


FIG. 10