



US00D397108S

United States Patent [19]
Williams

[11] **Patent Number: Des. 397,108**

[45] **Date of Patent: **Aug. 18, 1998**

[54] **VIDEO PRESENTATION APPARATUS**

[76] **Inventor: Douglas Williams, P.O. Box 9508,
Rancho Santa Fe, Calif. 92067**

[**] **Term: 14 Years**

[21] **Appl. No.: 72,311**

[22] **Filed: Jun. 5, 1997**

[51] **LOC (6) Cl. 14-03**

[52] **U.S. Cl. D14/133**

[58] **Field of Search D14/113, 124-134;
D19/60; D21/13; 312/7.2; 348/789, 825,
836, 838**

[56] **References Cited**

U.S. PATENT DOCUMENTS

D. 244,801	6/1977	DeLand	D14/133
D. 289,757	5/1987	House	D14/133
D. 328,742	8/1992	Kennedy	D14/133
D. 342,515	12/1993	Gilmore	D14/133

Primary Examiner—Ted Shooman
Assistant Examiner—Richelle Shelton
Attorney, Agent, or Firm—Patent Law & Venture Group;
Gene Scott

[57] **CLAIM**

The ornamental design for a "video presentation apparatus."
as shown and described.

DESCRIPTION

FIG. 1 is a perspective view of a video presentation apparatus, showing my new design;
FIG. 2 is a reduced top plan view of the video presentation apparatus;
FIG. 3 is a front elevational view thereof;
FIG. 4 is a left side elevation view thereof;
FIG. 5 is a rear elevational view thereof;
FIG. 6 is a right side elevational view thereof; and,
FIG. 7 is a bottom plan view thereof.

1 Claim, 3 Drawing Sheets

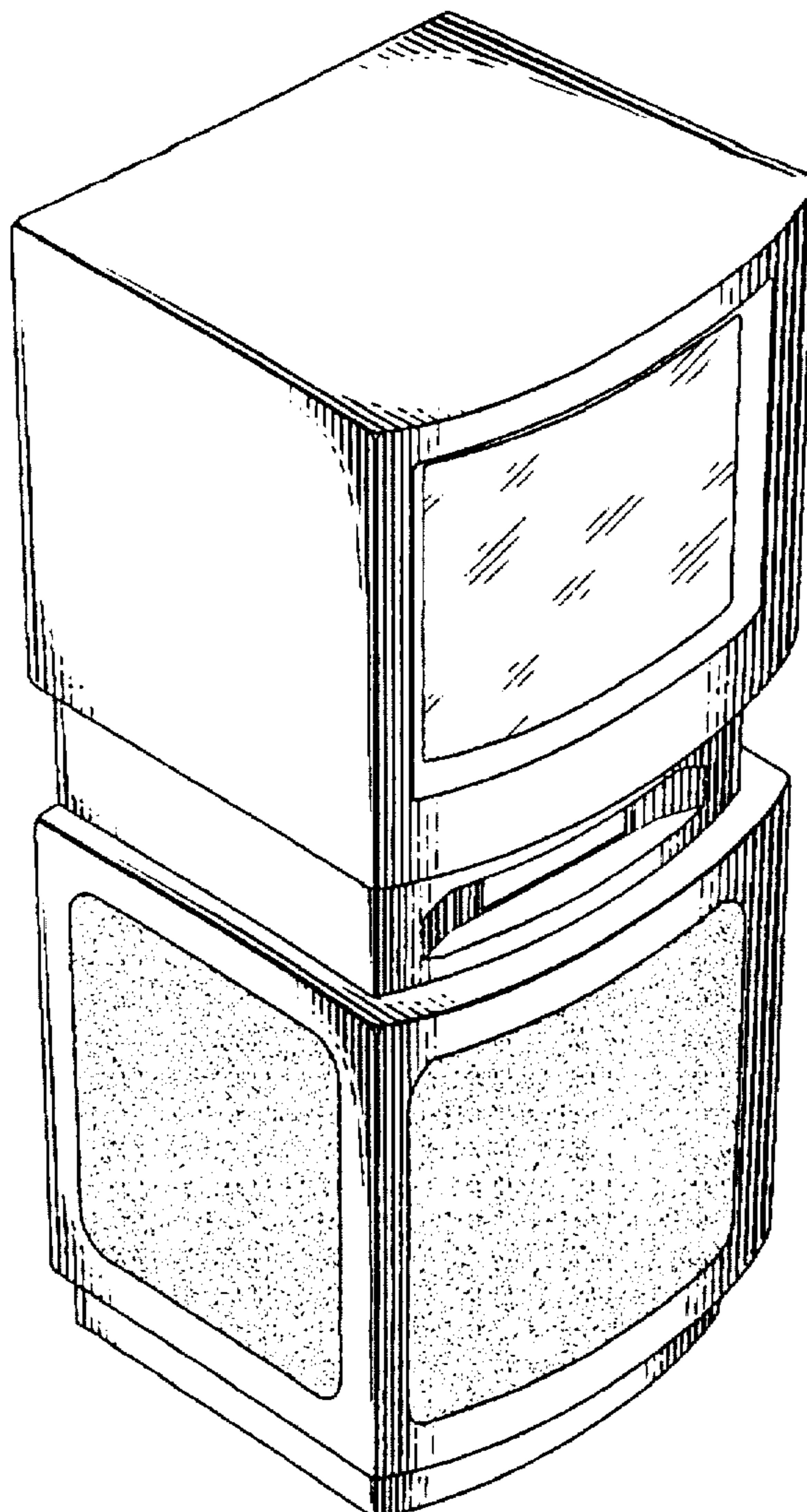


FIG. 1

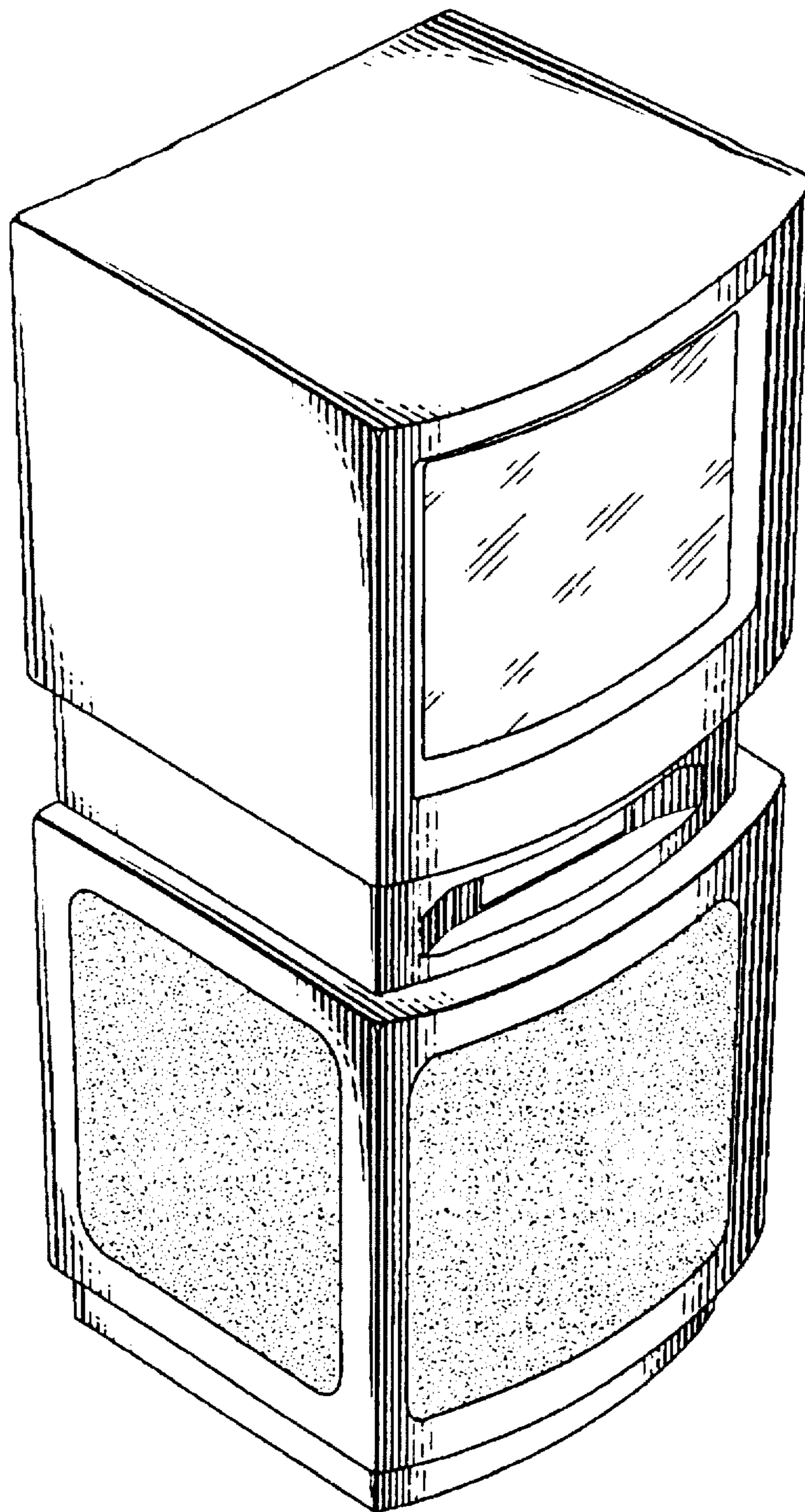


FIG. 2

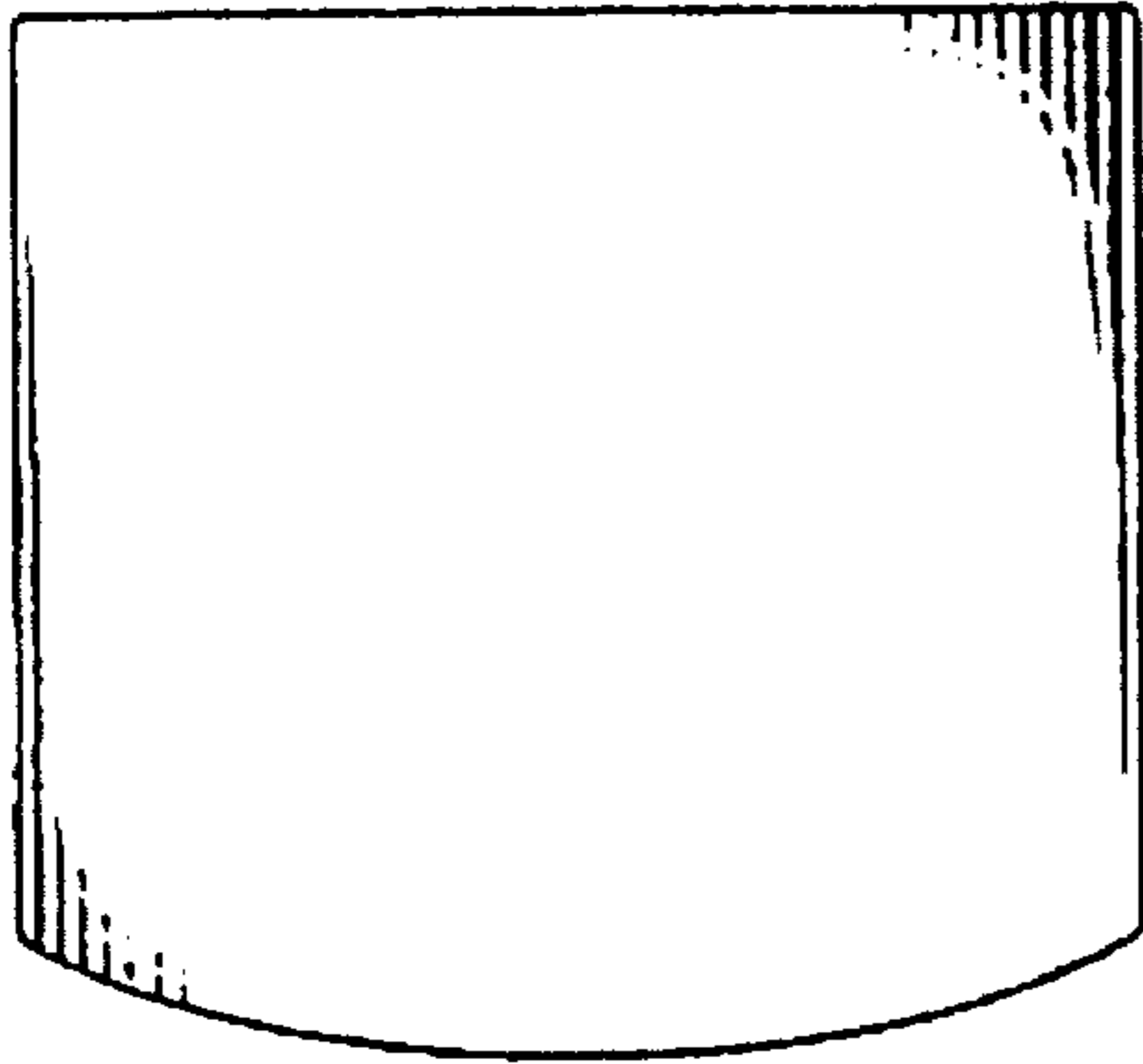


FIG. 3

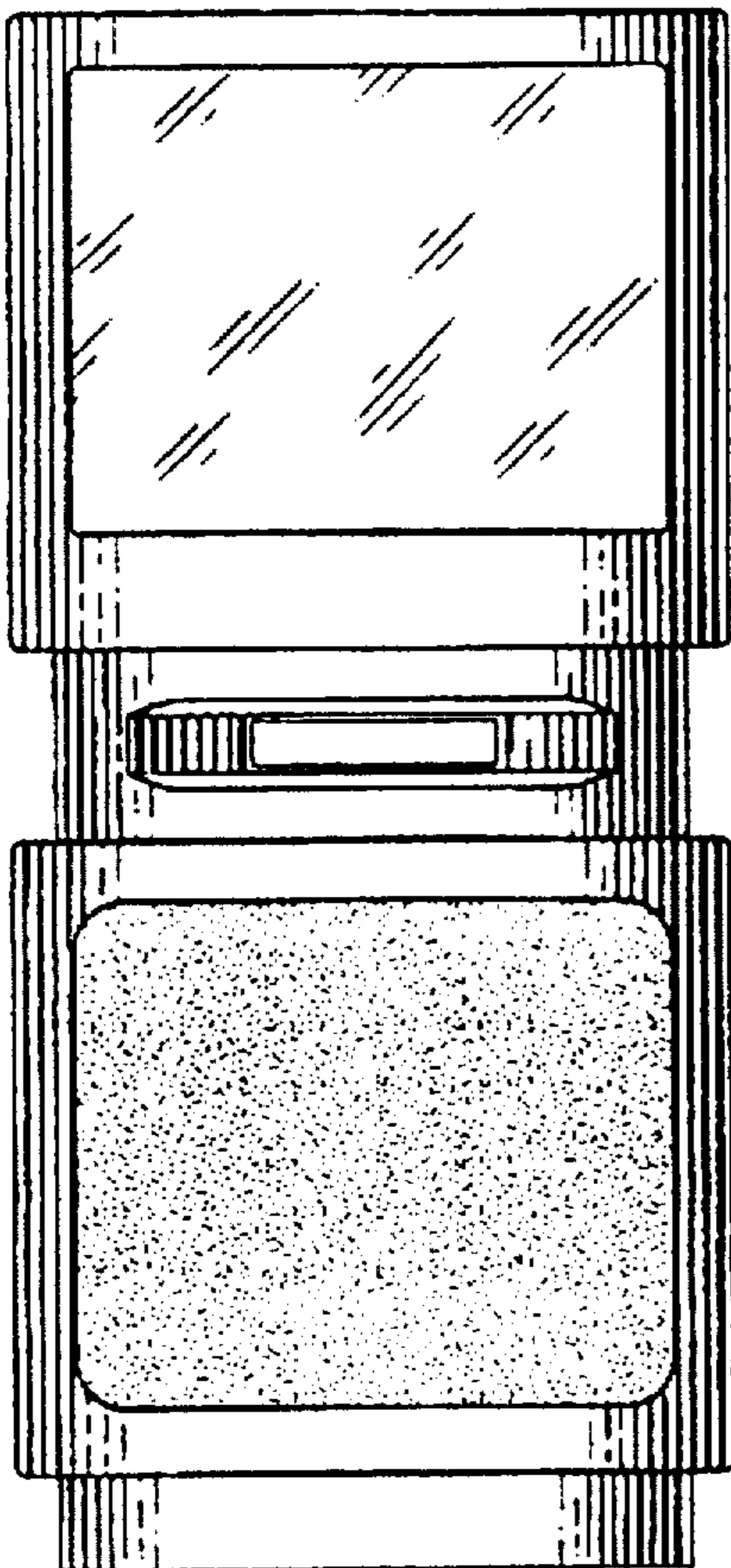


FIG. 4

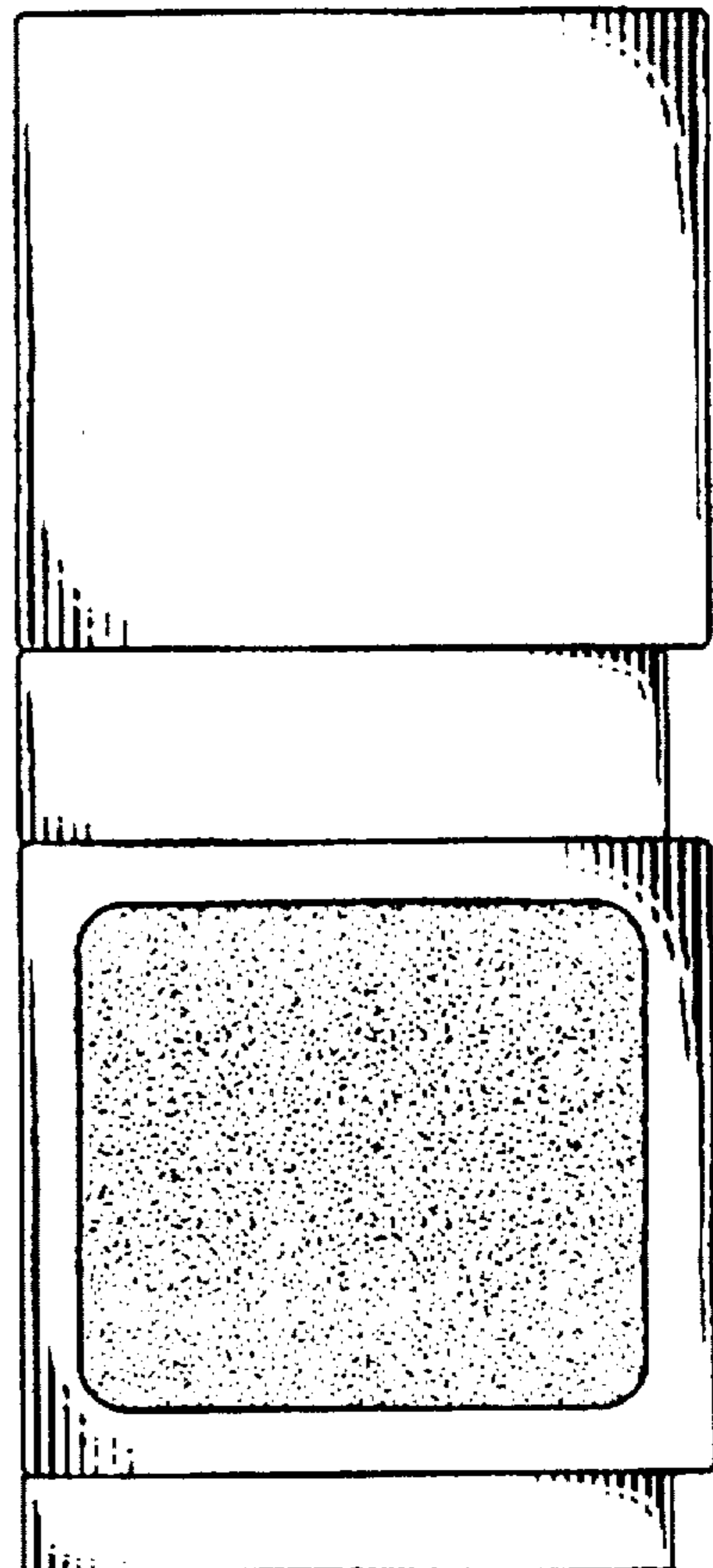


FIG. 5

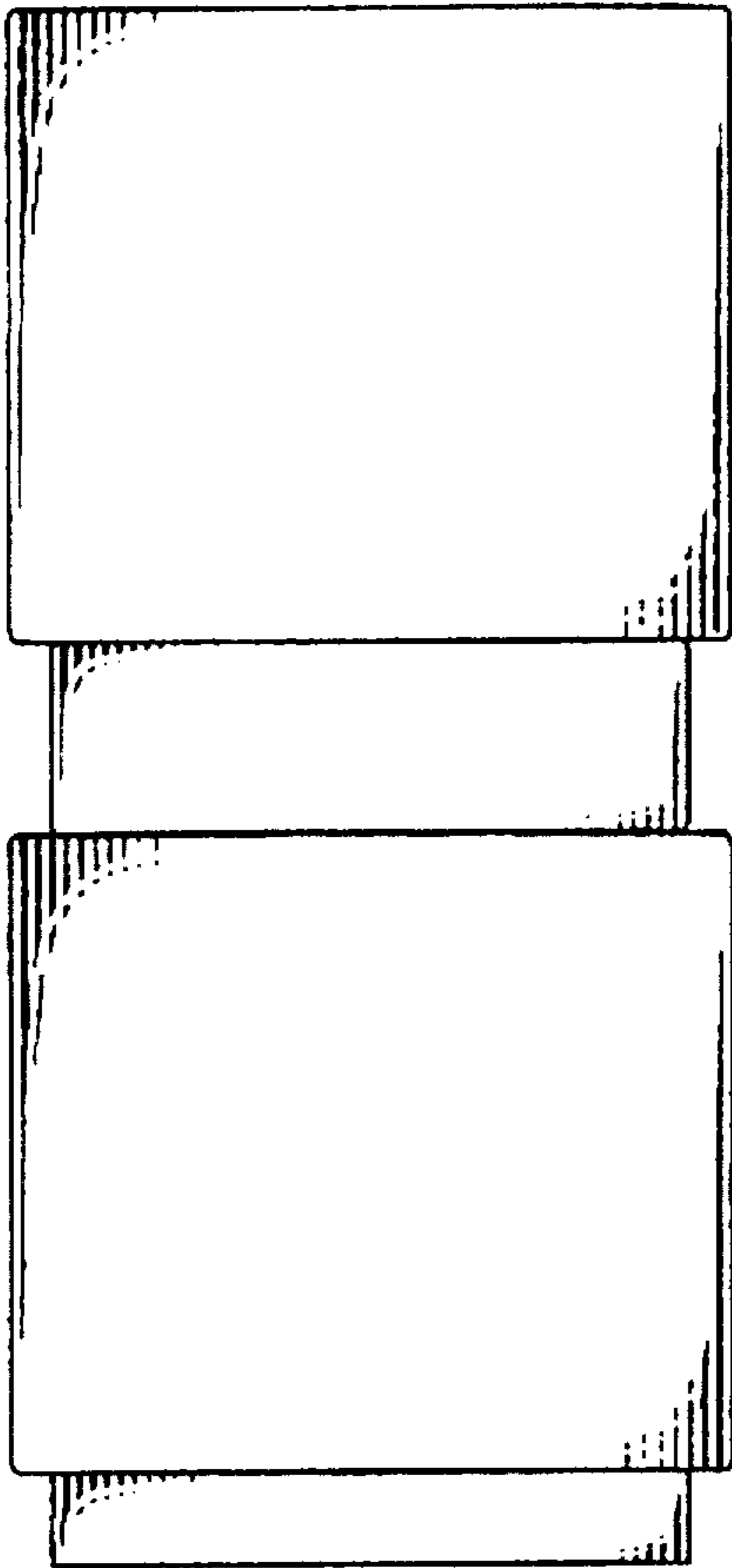


FIG. 6

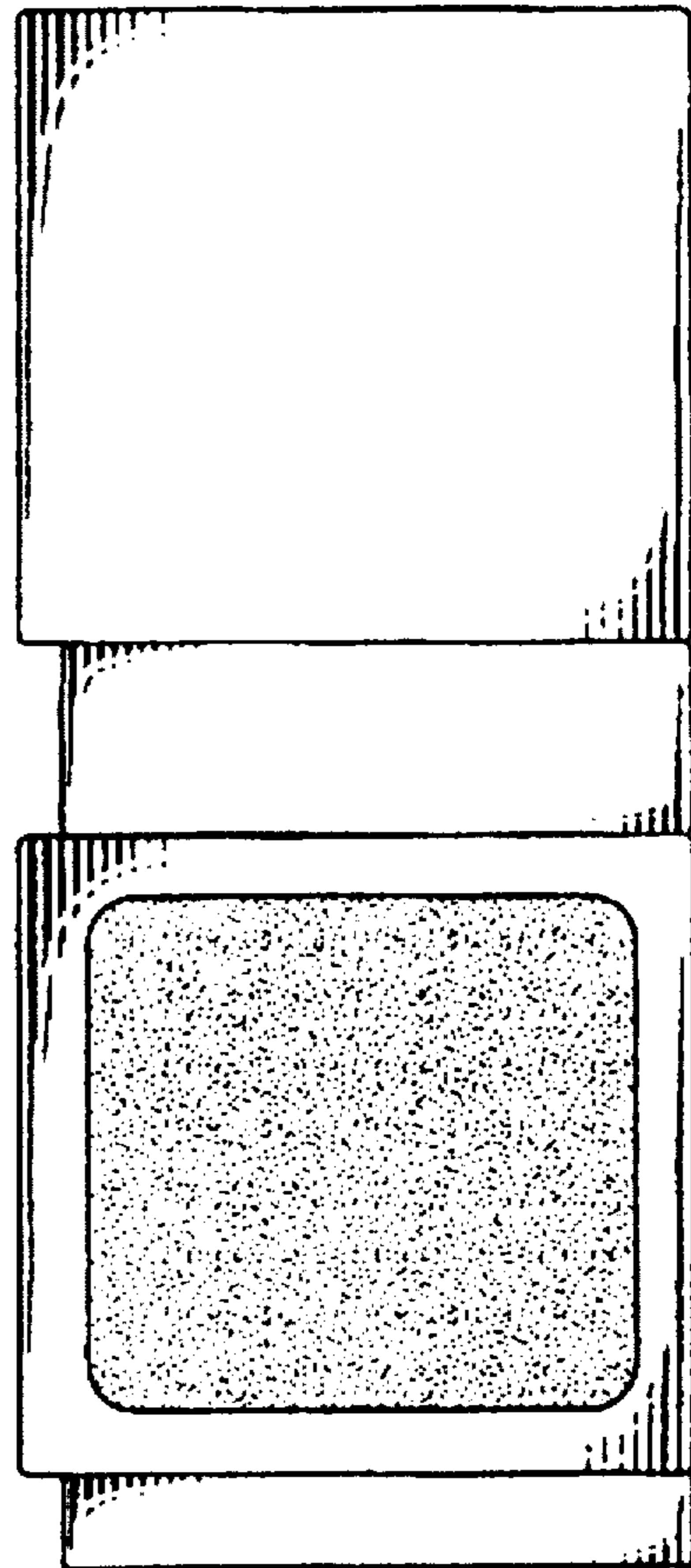


FIG. 7

