



US00D397107S

United States Patent [19] Klinker

[11] Patent Number: Des. 397,107
[45] Date of Patent: **Aug. 18, 1998

[54] **PROCESSOR CARD ASSEMBLY**
[75] Inventor: **Thomas S. Klinker**, San Francisco, Calif.
[73] Assignee: **Intel Corporation**, Santa Clara, Calif.
[**] Term: **14 Years**
[21] Appl. No.: **61,738**
[22] Filed: **Oct. 29, 1996**
[51] LOC (6) Cl. **14-02**
[52] U.S. Cl. **D14/117**
[58] Field of Search D13/182; D14/114, D14/117; D18/12; 235/380, 381, 487, 492; 257/678; 361/737, 816; 364/246.6, 249, 249.2

D. 362,846 10/1995 Inoue et al. .
D. 365,556 12/1995 Inoue et al. .
D. 369,352 4/1996 Iwakami .
D. 371,353 7/1996 Ashida et al. .
D. 374,442 10/1996 Ozaki .
D. 374,665 10/1996 Miyaki .
D. 376,795 12/1996 Ashida .
D. 377,488 1/1997 Ashida .
D. 379,977 6/1997 Ueda .
4,924,076 5/1990 Kitamura 235/492
5,031,076 7/1991 Kiku 361/816
5,260,601 11/1993 Baudouin et al. 257/678
5,528,459 6/1996 Ainsbury et al. 361/737
5,563,771 10/1996 Bethurum 361/737

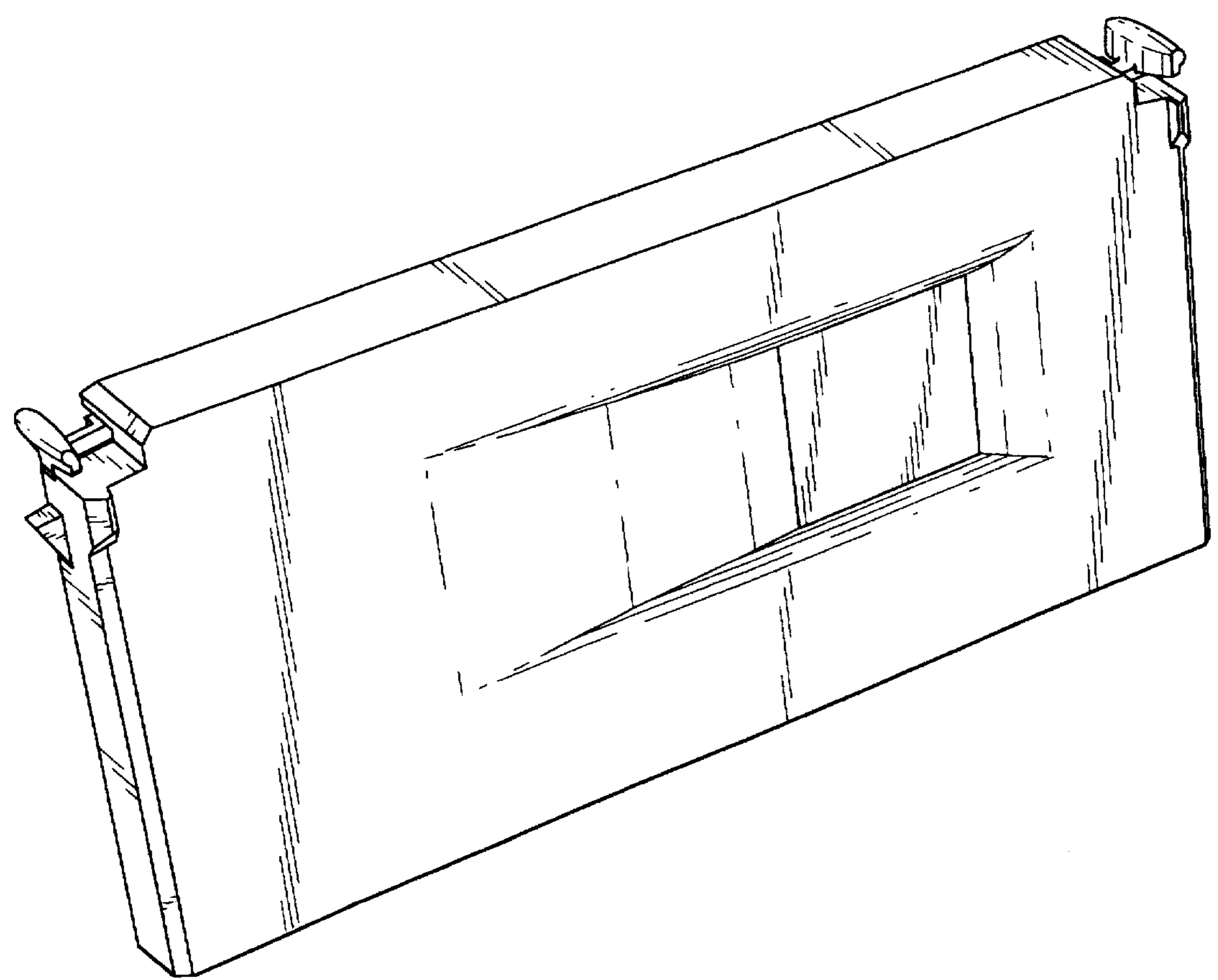
Primary Examiner—James Gandy
Assistant Examiner—Cathron B. Matta
Attorney, Agent, or Firm—Blakely, Sokoloff, Taylor & Zafman

[56] **References Cited**
U.S. PATENT DOCUMENTS
D. 291,698 9/1987 Hirooka et al. D14/114
D. 306,576 3/1990 Hiatt et al. D13/182
D. 320,203 9/1991 Ashida .
D. 320,225 9/1991 Ido et al. D18/12
D. 321,429 11/1991 Kojo .
D. 343,833 2/1994 Barr et al. .
D. 344,504 2/1994 Barr et al. .
D. 344,725 3/1994 Barr et al. .
D. 355,414 2/1995 Inoue et al. .

[57] **CLAIM**
The ornamental design for a processor card assembly, as shown and described.

DESCRIPTION
FIG. 1 is a perspective view of a processor card assembly; FIG. 2-3 are front and left side views of the processor card assembly; and, FIG. 4-7 are back, right side, top and bottom views of the processor card assembly.

1 Claim, 3 Drawing Sheets



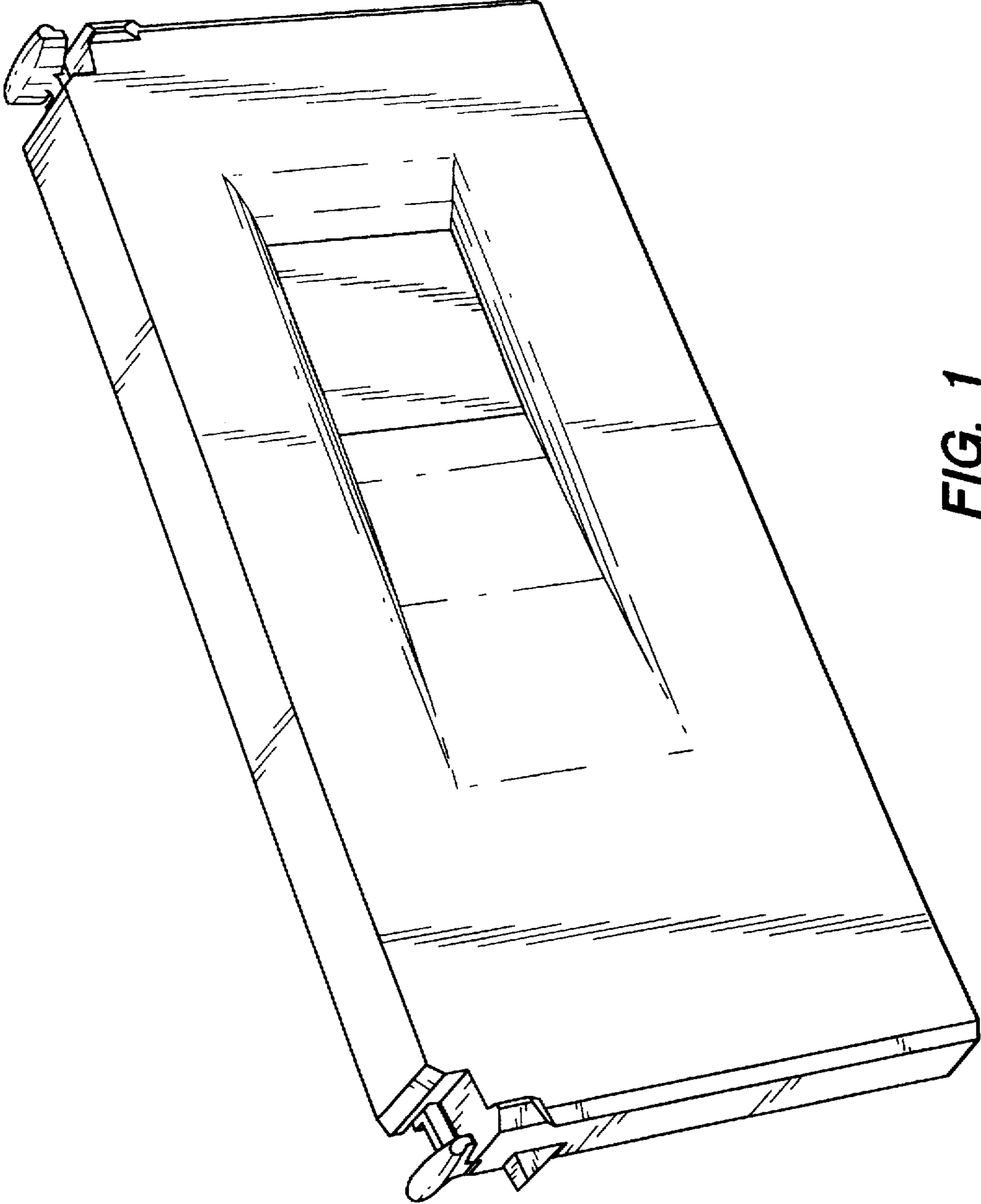


FIG. 1

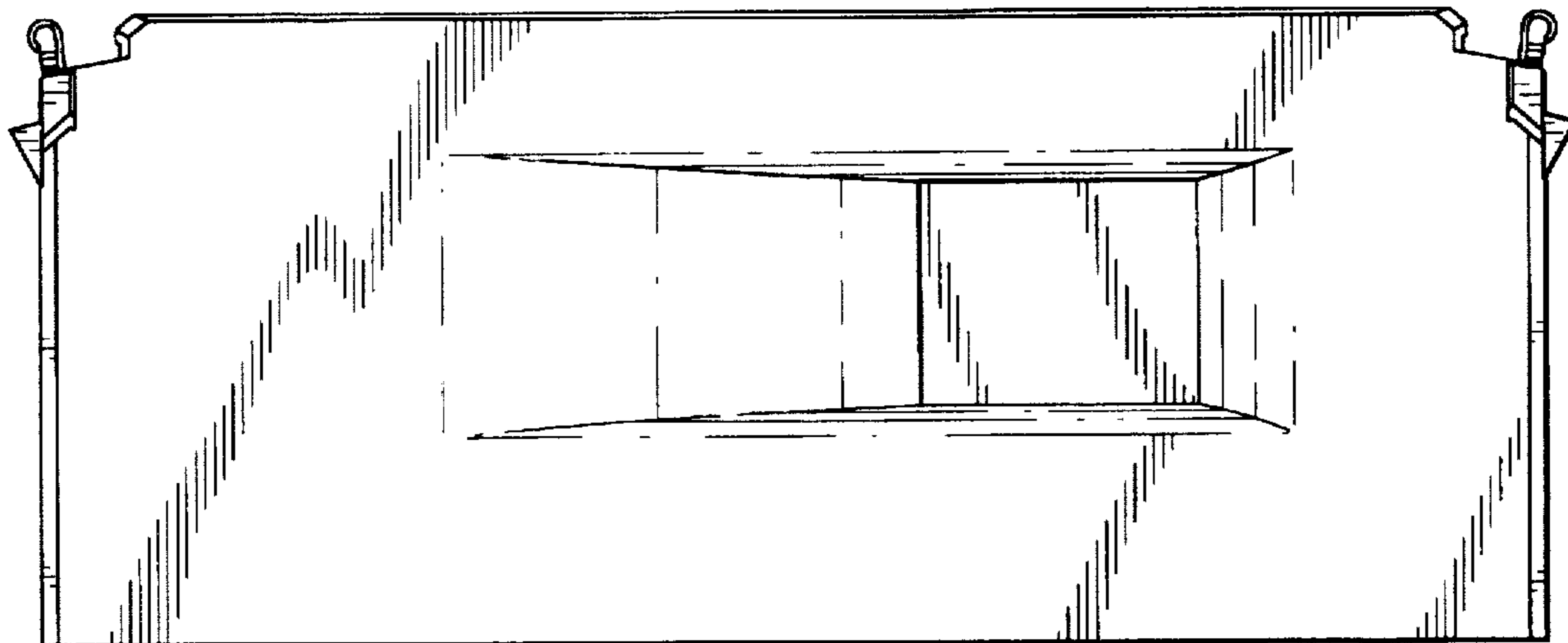


FIG. 2

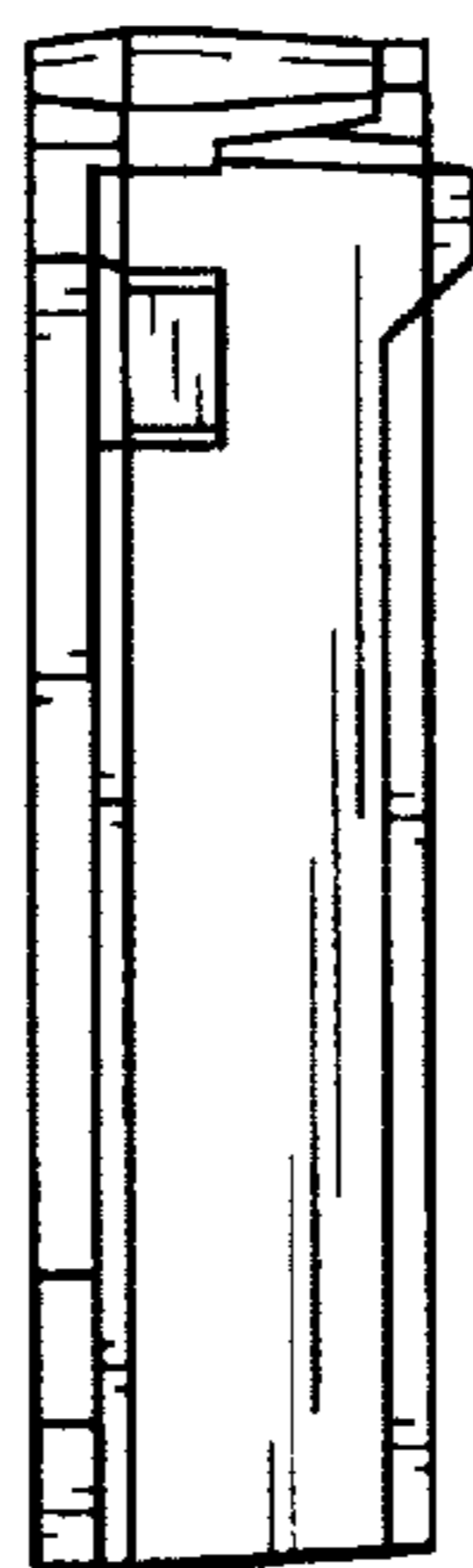


FIG. 3

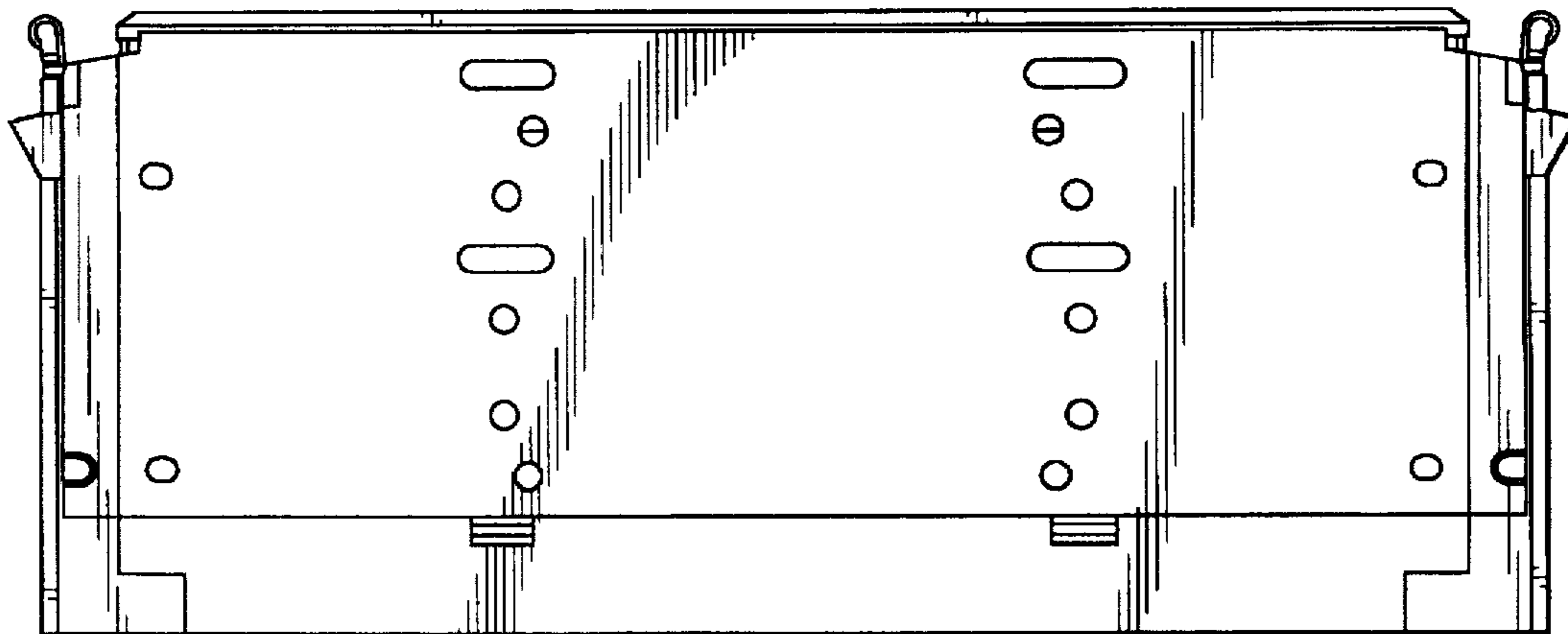


FIG. 4

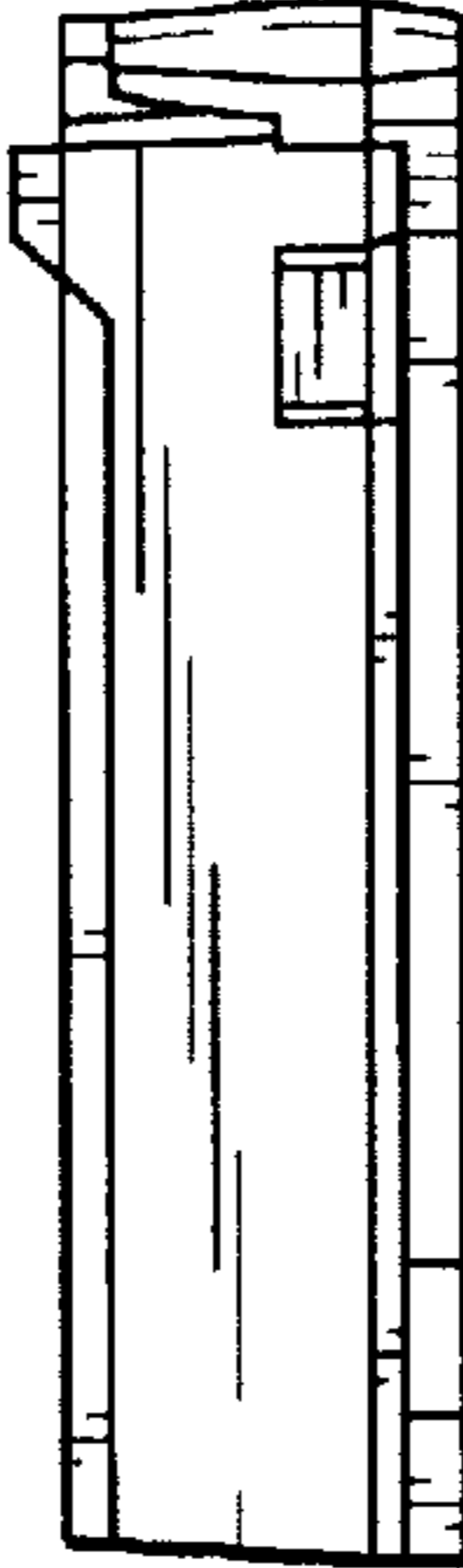


FIG. 5



FIG. 6

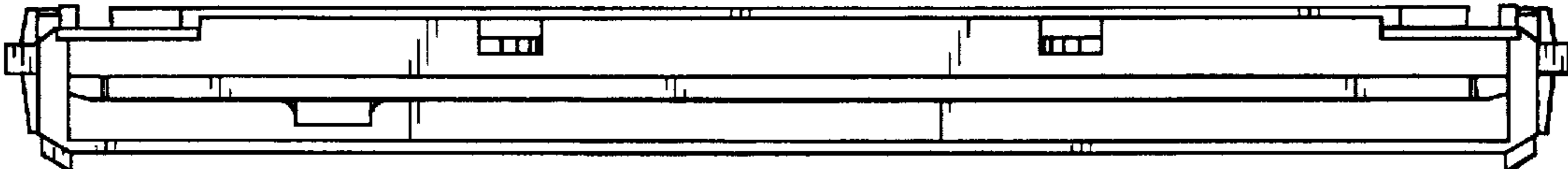


FIG. 7