



US00D397098S

United States Patent [19]

Laituri et al.

[11] Patent Number: **Des. 397,098**

[45] Date of Patent: ****Aug. 18, 1998**

[54] **FACADE PANEL FOR A DISK DRIVE HOUSING**

D. 383,736 9/1997 Corrington et al. D14/109
4,397,511 8/1983 Clark et al. .
5,435,737 7/1995 Haga et al. .

[75] Inventors: **David Laituri**, Palo Alto; **Gerome A. Haney**, San Jose, both of Calif.

Primary Examiner—M. H. Tung
Attorney, Agent, or Firm—Blakely, Sokoloff, Taylor & Zafman

[73] Assignee: **StreamLogic Corporation**, Menlo Park, Calif.

[57] **CLAIM**

[**] Term: **14 Years**

The ornamental design for a facade panel for a disk drive housing, as shown and described.

[21] Appl. No.: **65,446**

DESCRIPTION

[22] Filed: **Dec. 6, 1996**

[51] **LOC (6) Cl.** **14-02**

FIG. 1 is a top perspective of the facade panel for a disk drive housing, showing the new design;

[52] **U.S. Cl.** **D14/114**

FIG. 2 is a front view thereof;

[58] **Field of Search** D14/100, 107, D14/109, 114; 361/683-5, 728-36; D13/162, 184, 199; 379/90.01; 360/99.01, 99.12

FIG. 3 is a rear view thereof;

FIG. 4 is a top plan view thereof;

FIG. 5 is a bottom plan view thereof;

FIG. 6 is a right side view thereof; and,

FIG. 7 is a left side view thereof.

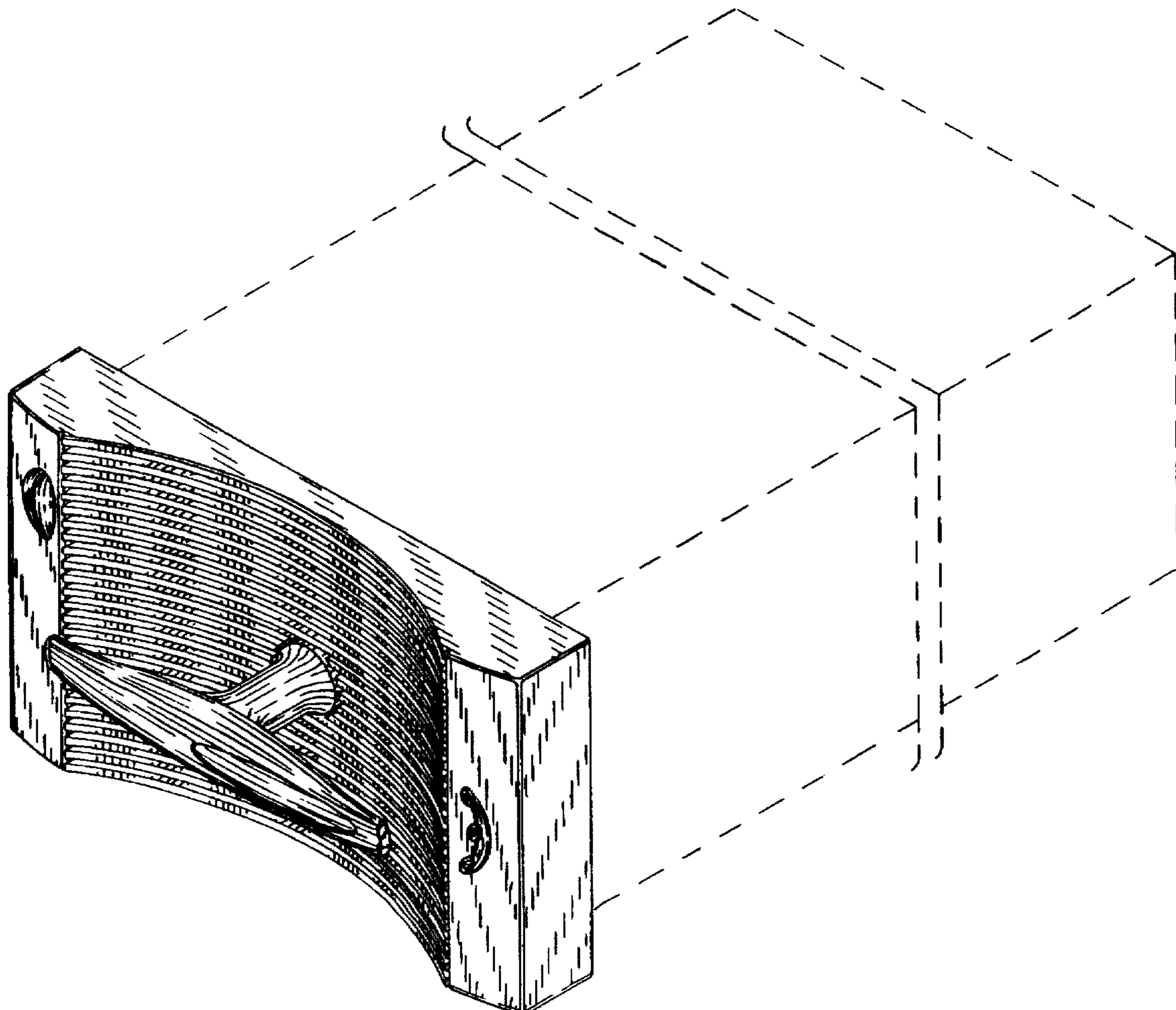
[56] **References Cited**

The broken lines showing a disk drive housing in FIGS. 1-7 are illustrative of environmental structure only, and form no part of the claimed design.

U.S. PATENT DOCUMENTS

D. 336,289 6/1993 Hill D14/109
D. 358,378 5/1995 Ito et al. D14/109
D. 375,728 11/1996 Nicklos et al. D14/114

1 Claim, 5 Drawing Sheets



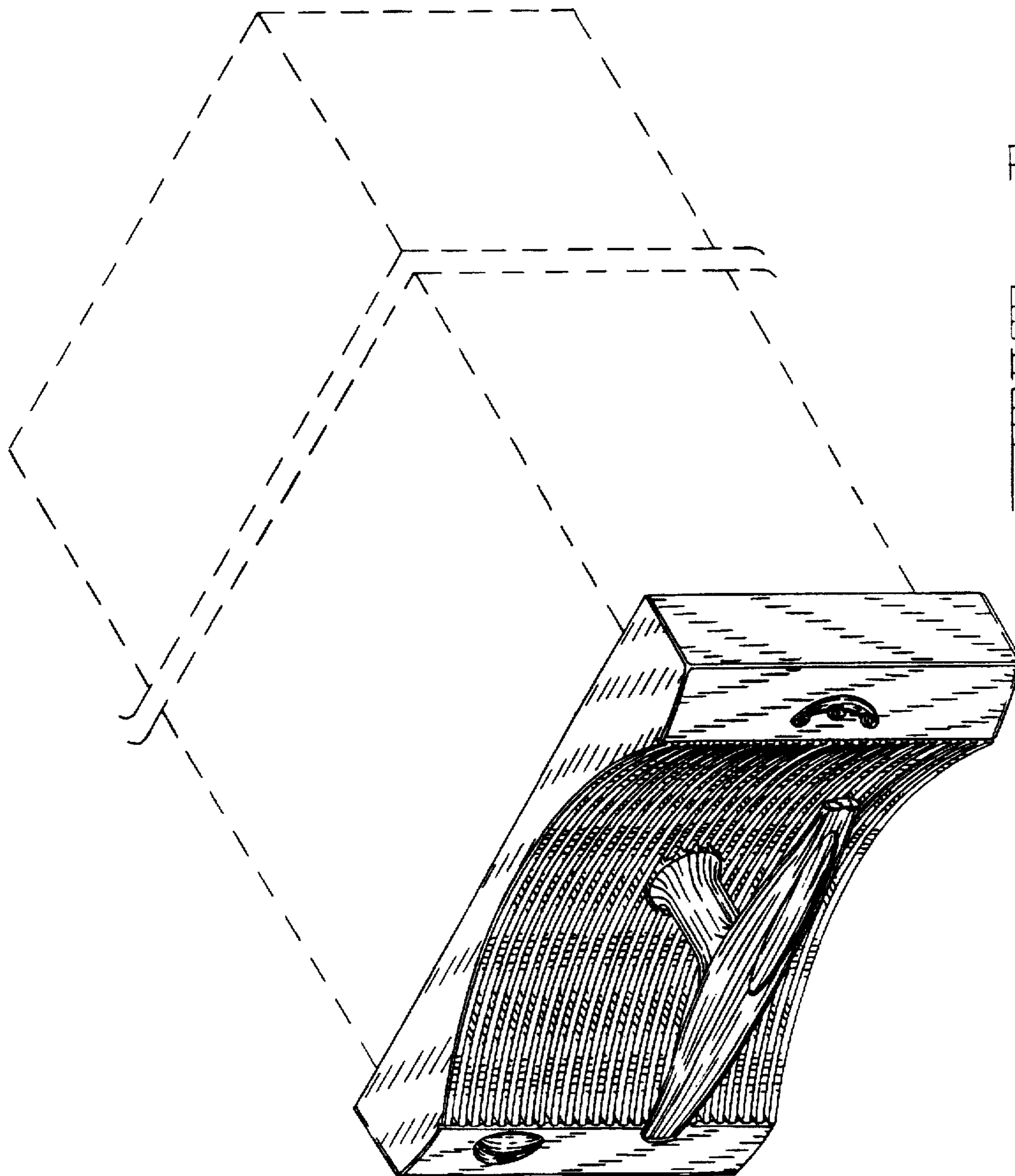


FIG. 1

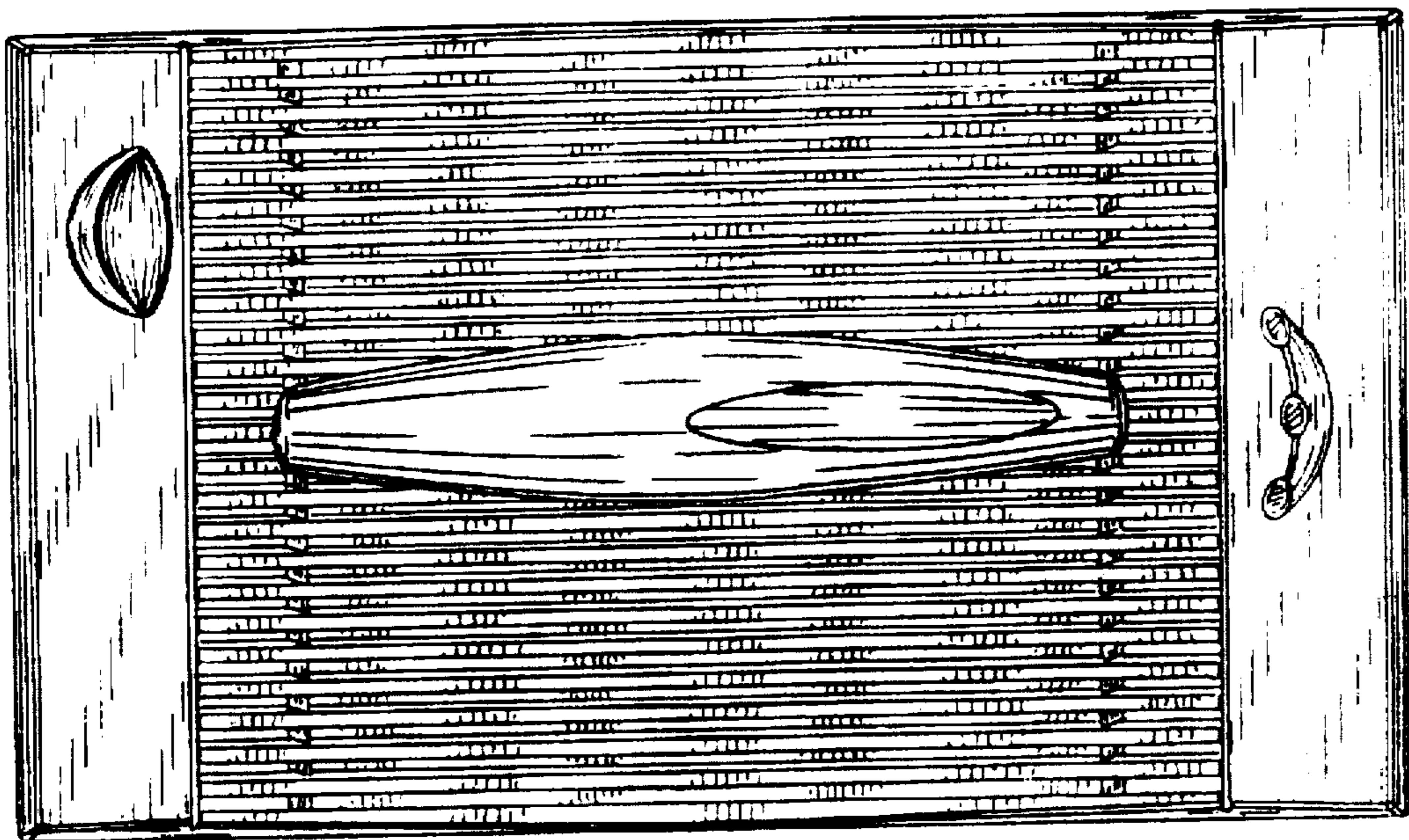


FIG. 2

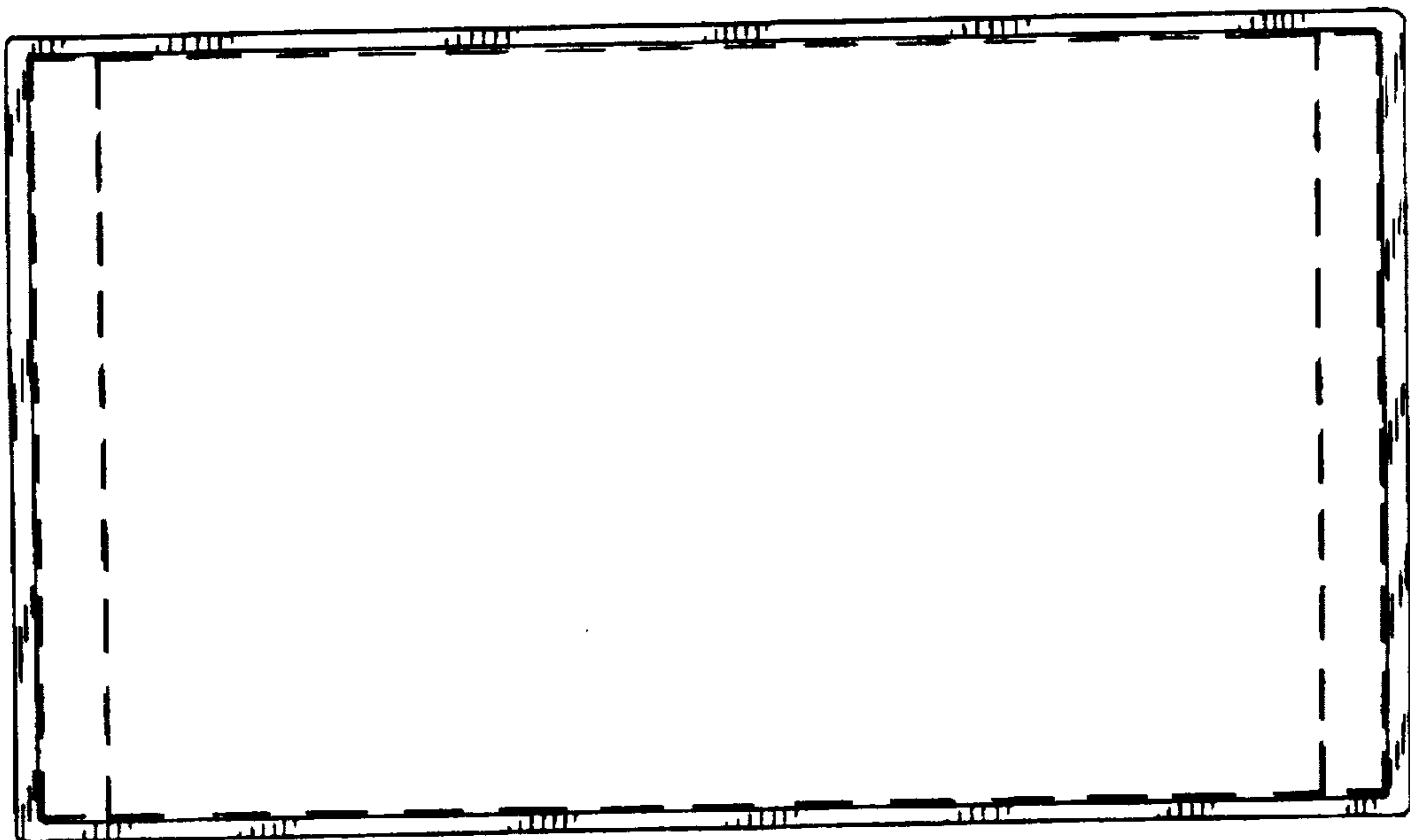


FIG. 3

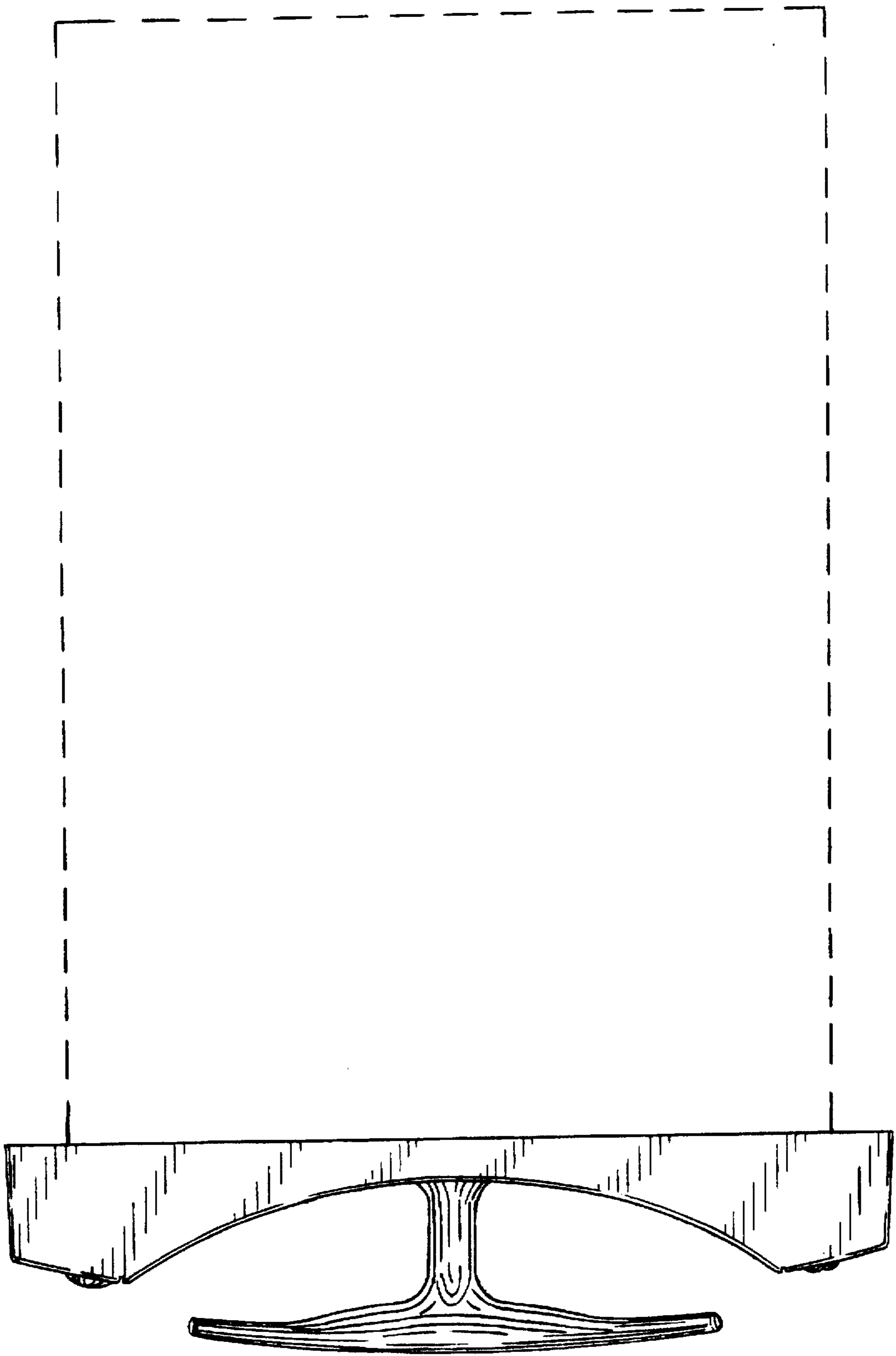


FIG — 4

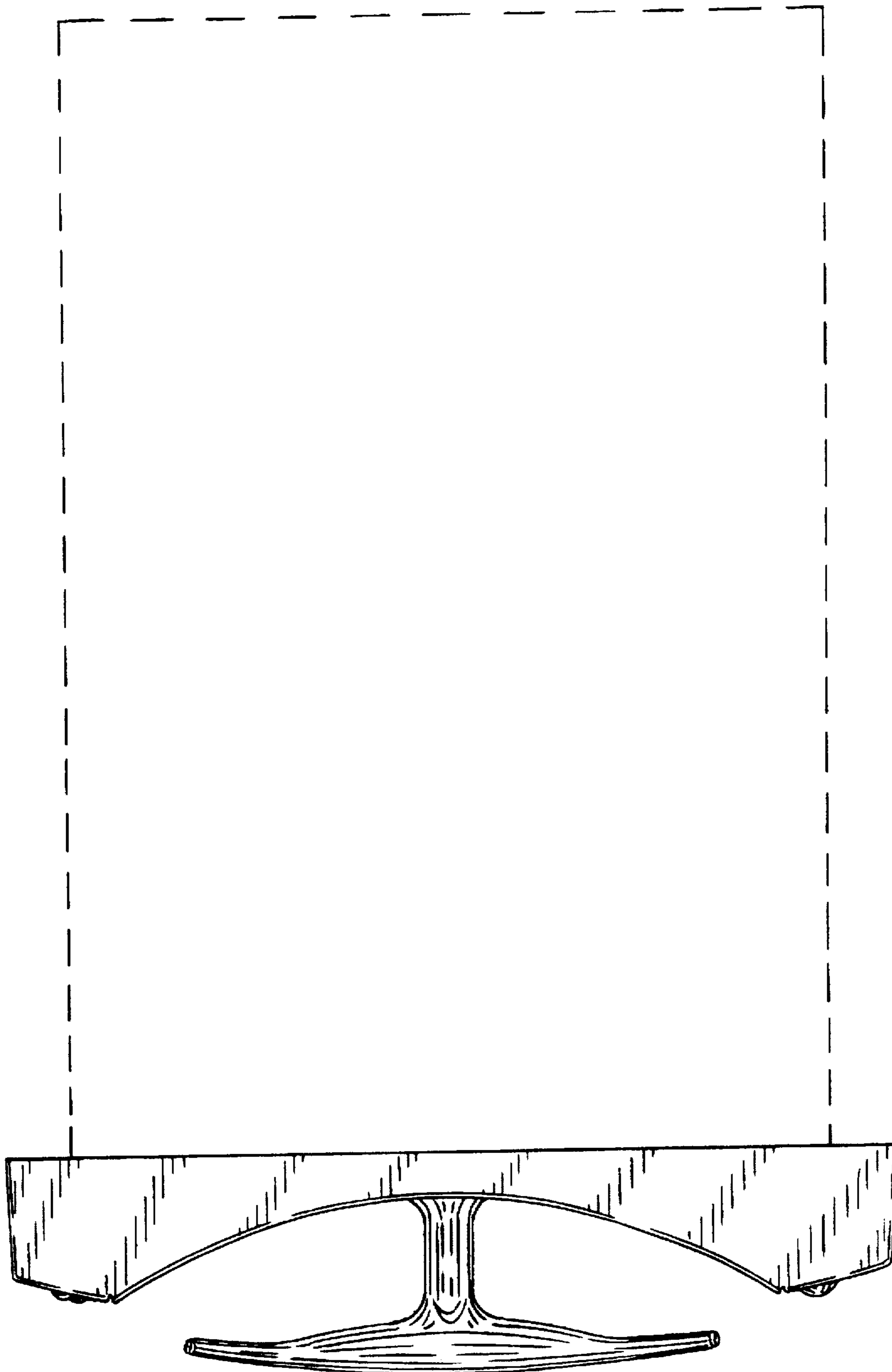


FIG. 5

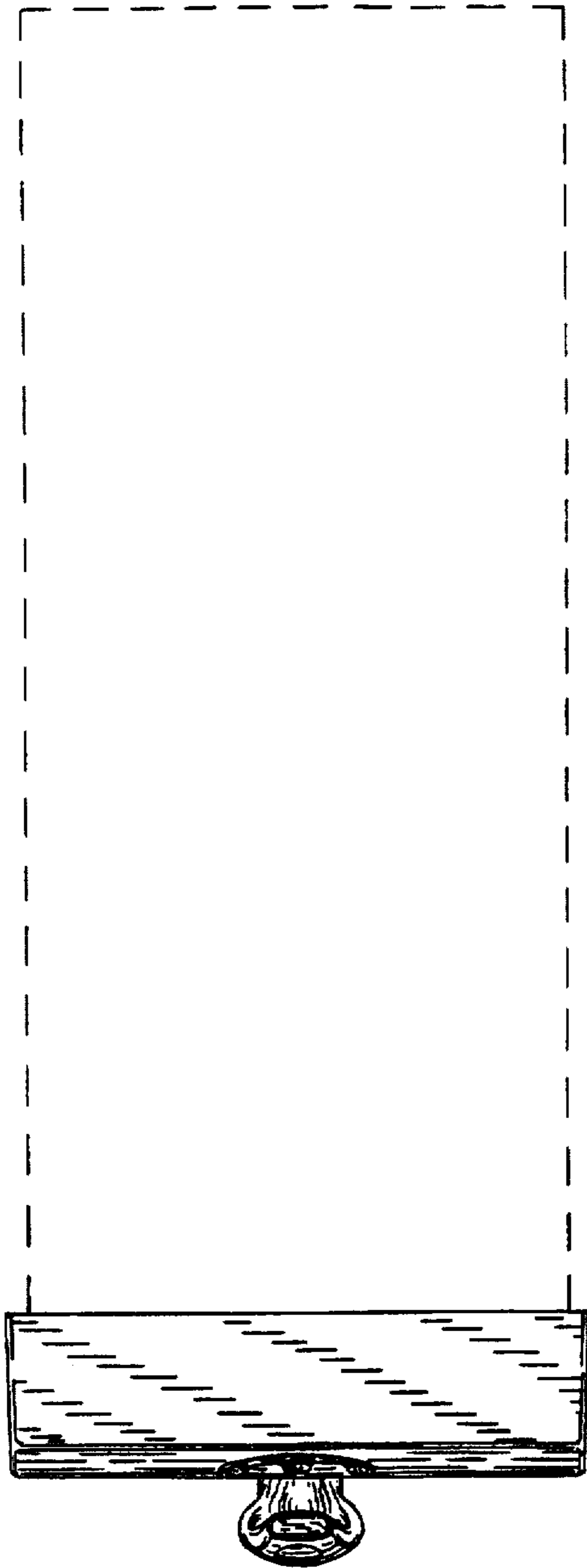


FIG. 5

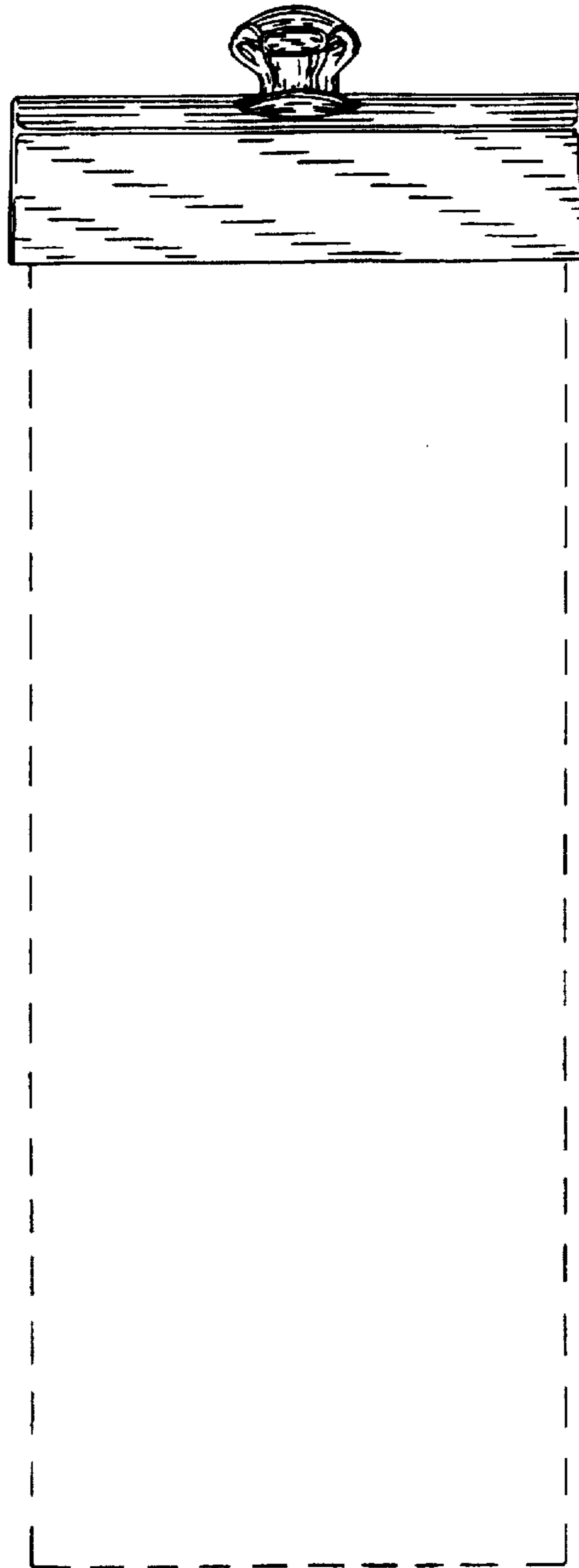


FIG. 6