

US00D397097S

United States Patent [19]
McNally

[11] **Patent Number: Des. 397,097**

[45] **Date of Patent: **Aug. 18, 1998**

[54] **ELECTROL MAGNETIC INTERFERENCE SHIELD**

[76] **Inventor: Mark P. McNally, 175 Guerrero St., San Francisco, Calif. 94103**

[**] **Term: 14 Years**

[21] **Appl. No.: 47,689**

[22] **Filed: Dec. 11, 1995**

[51] **LOC (6) Cl. 14-02**

[52] **U.S. Cl. D14/114; D14/115**

[58] **Field of Search D14/100, 102, D14/107-109, 239, 257, 258; D13/162, 184, 199, 164, 177; D10/103; 312/223.2; 361/680-695; 174/16.1**

[56] **References Cited**

U.S. PATENT DOCUMENTS

D. 314,192	1/1991	Lawlor	D14/114
D. 331,396	12/1992	Benck et al.	D14/114
D. 341,359	11/1993	Falkenberg et al.	D14/115
3,407,869	10/1968	Staunton	174/16.1

Primary Examiner—Freda S. Nunn
Attorney, Agent, or Firm—Richard C. Liu

[57] **CLAIM**

The ornamental design for an electrol magnetic interference shield, as shown and described.

DESCRIPTION

FIG. 1 is a top, rear and right side perspective view of an electrol magnetic interference shield;

FIG. 2 is a top rear and right side perspective view thereof shown fitted into a holding tray which is shown in broken lines for illustrative purposes only and forms no part of the claimed design;

FIG. 3 is a front elevational view thereof on an enlarged scale;

FIG. 4 is a rear elevational view thereof;

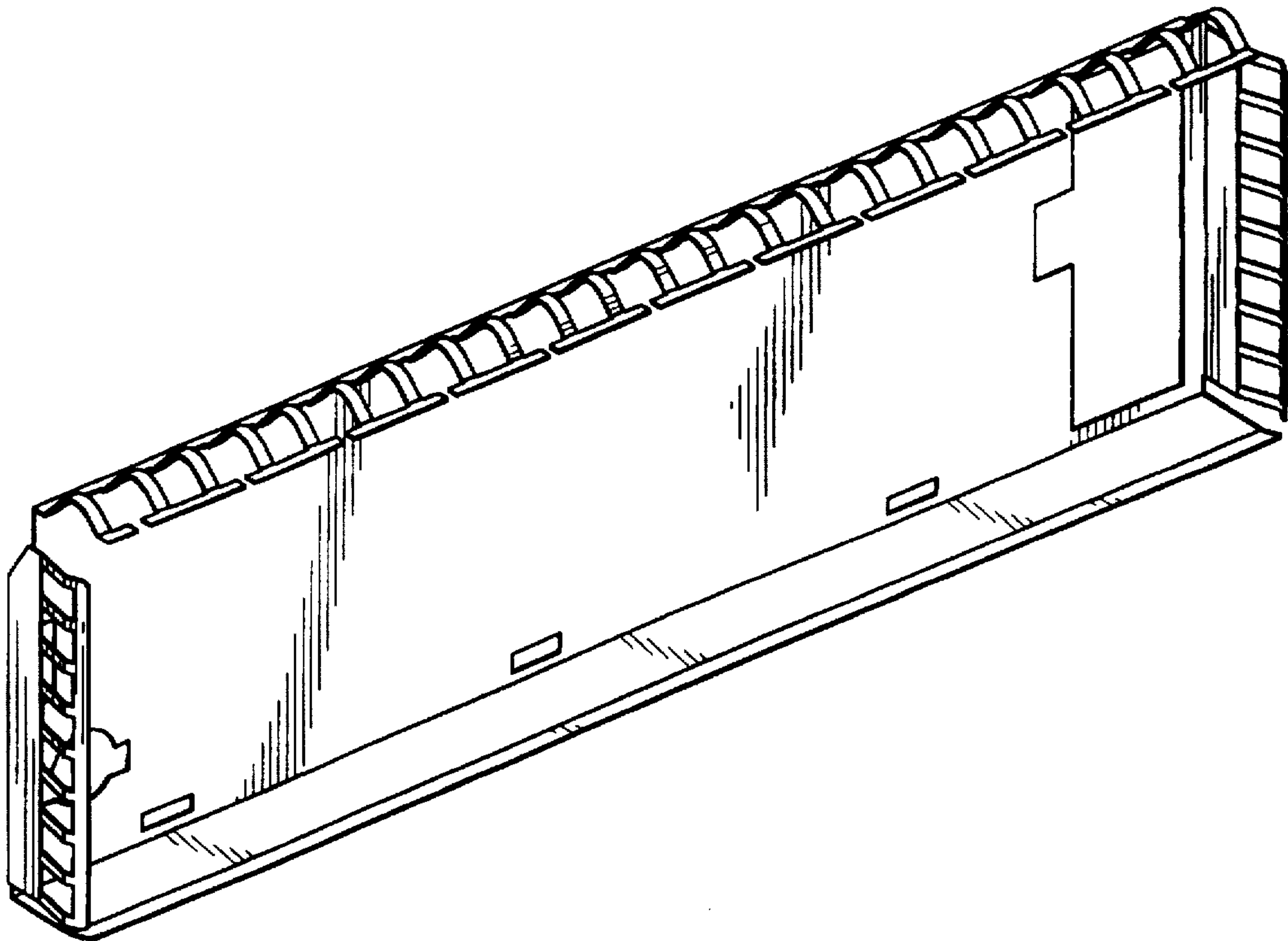
FIG. 5 is a bottom plan view thereof;

FIG. 6 is a top plan view thereof;

FIG. 7 is a right side elevational view thereof; and,

FIG. 8 is a left side elevational view thereof.

1 Claim, 3 Drawing Sheets



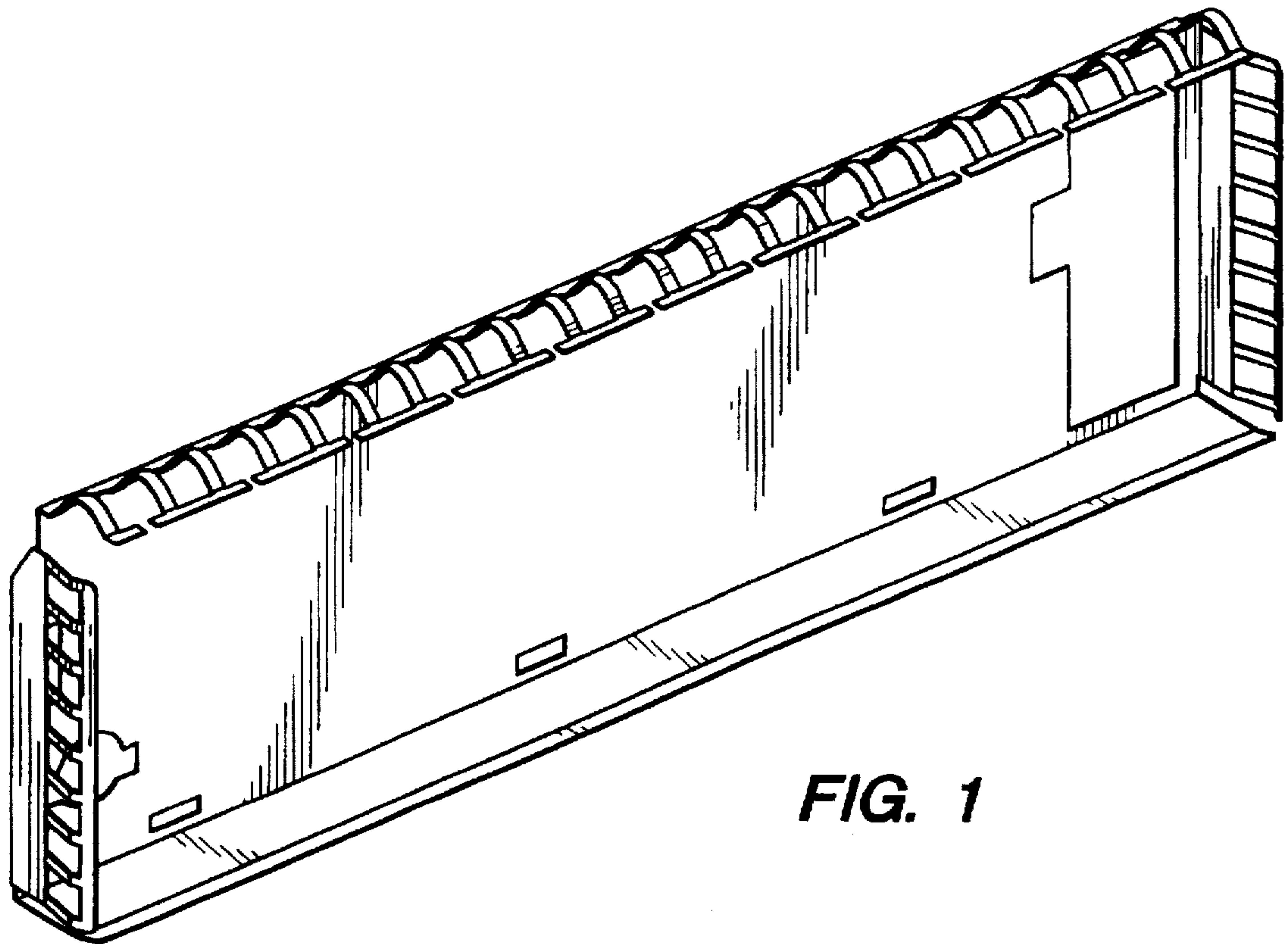


FIG. 1

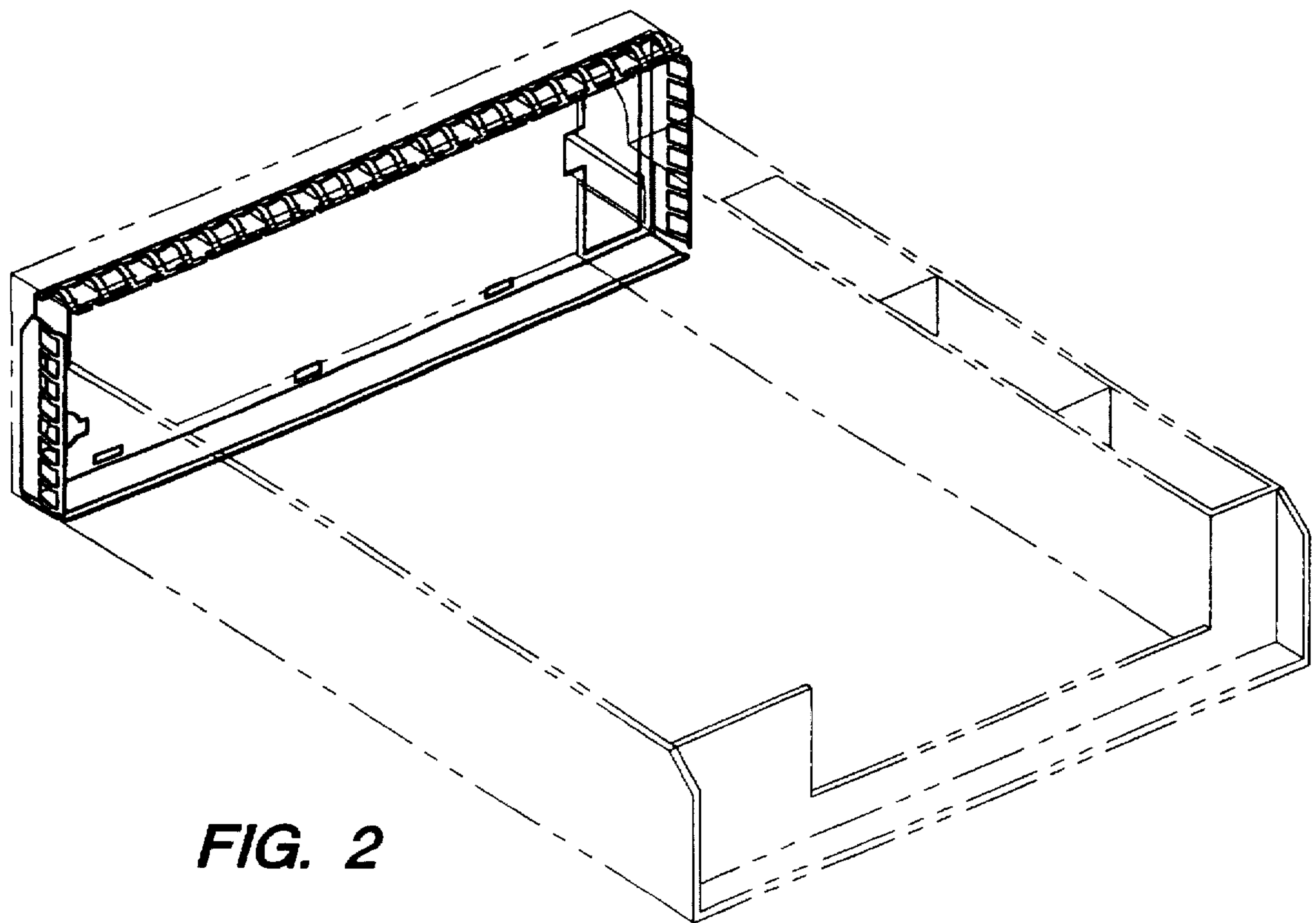


FIG. 2

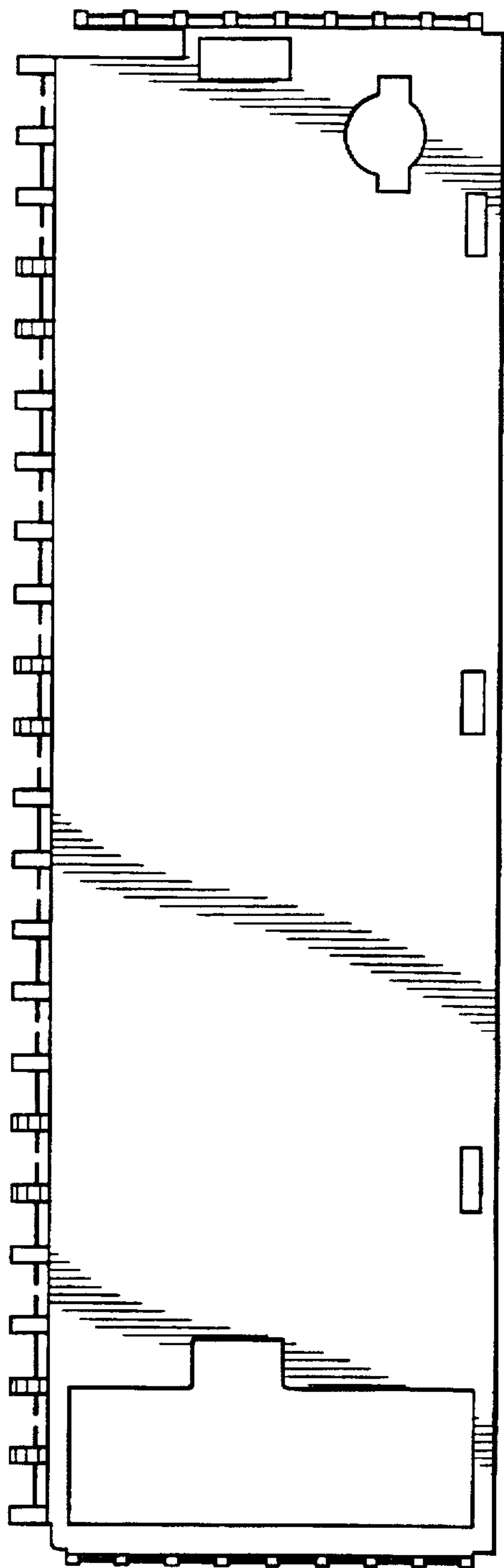


FIG. 3

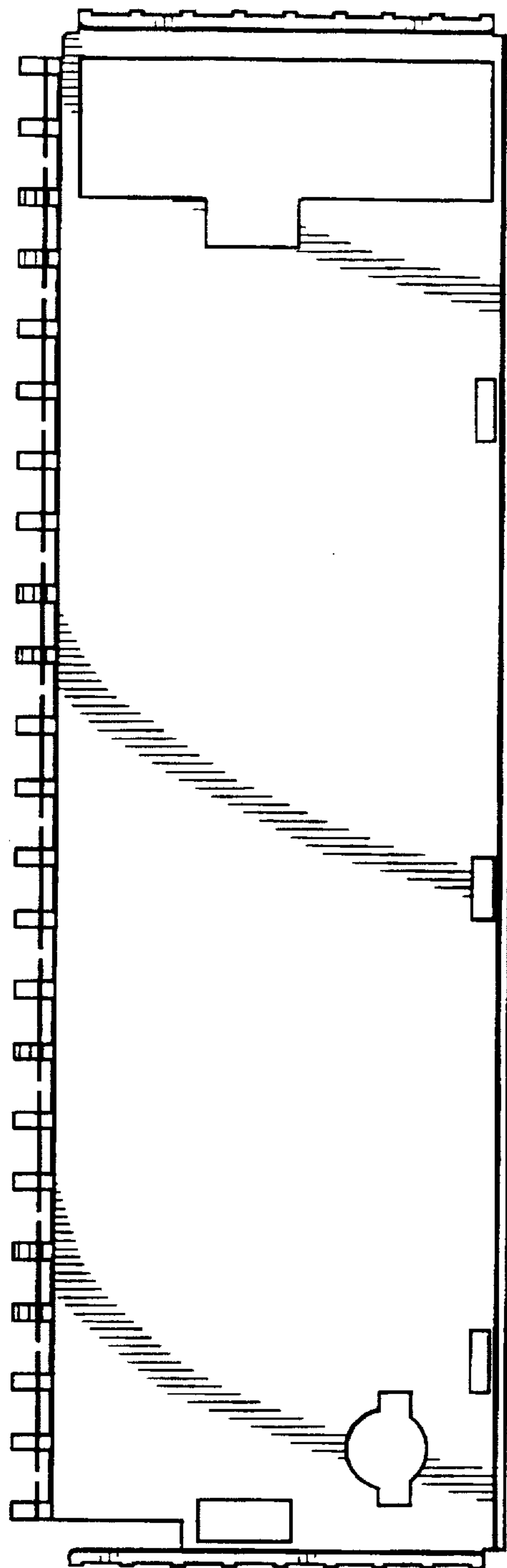


FIG. 4

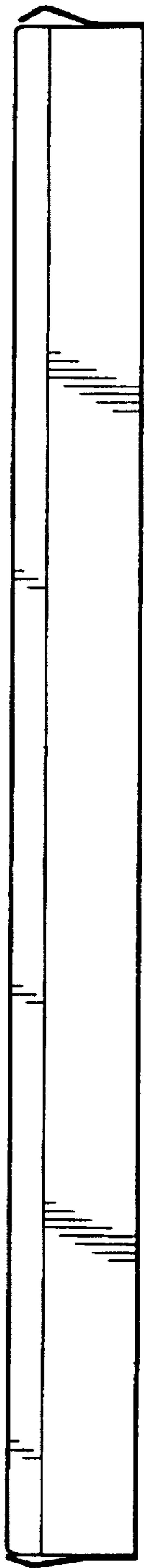


FIG. 5

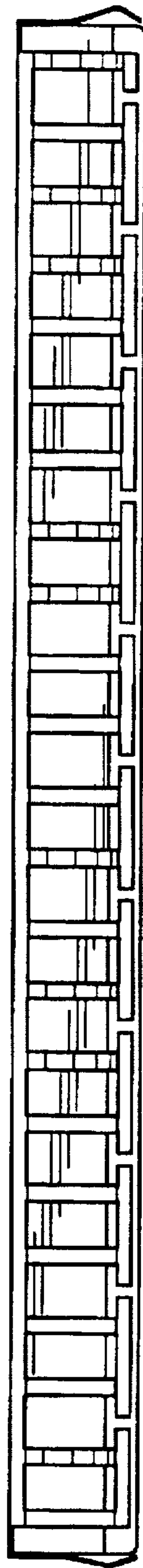


FIG. 6

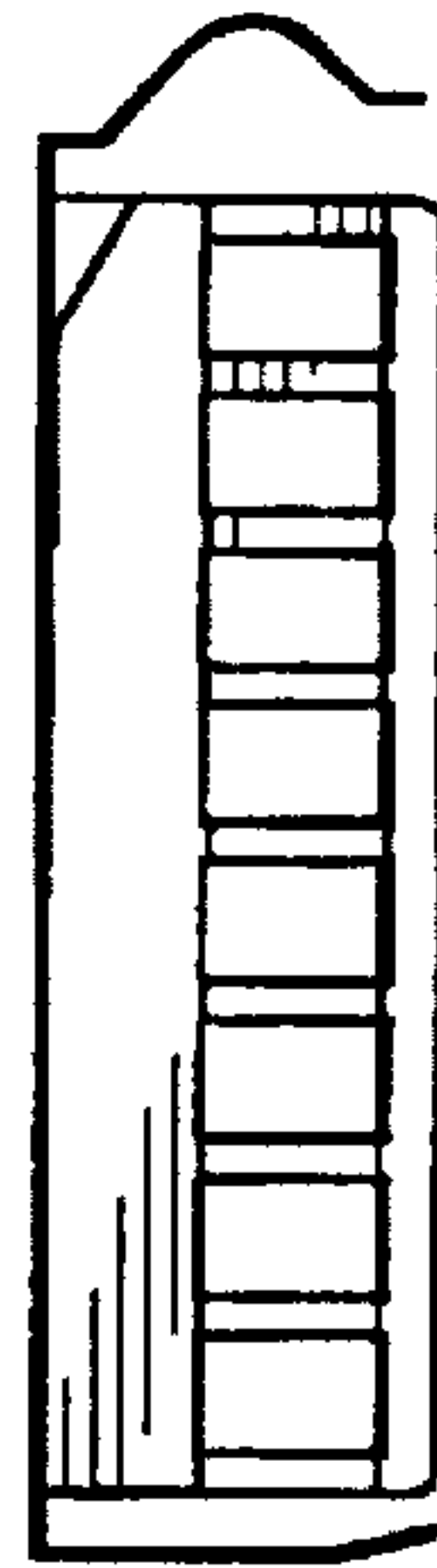


FIG. 7

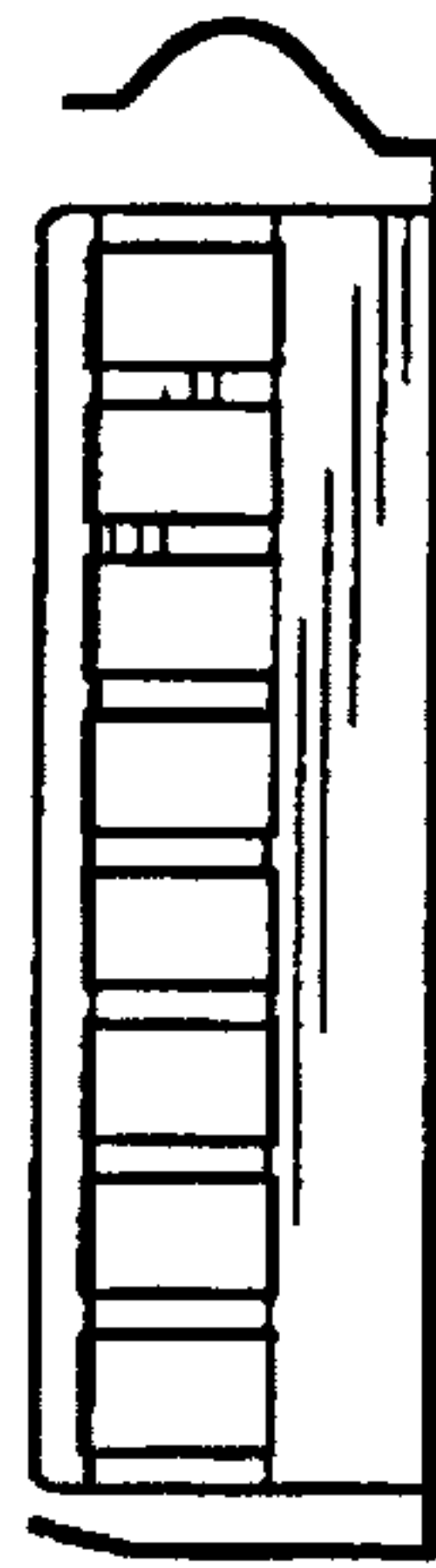


FIG. 8