



US00D397096S

# United States Patent [19]

Chen et al.

[11] Patent Number: **Des. 397,096**

[45] Date of Patent: **\*\*Aug. 18, 1998**

[54] **PAPER DELIVERING SCANNER**

[75] Inventors: **Tony Chen, Taipei; Thomas Chang, Hsin-Chu, both of Taiwan**

[73] Assignee: **Umax Data Systems Inc., Hsinchu, Taiwan**

[\*\*] Term: **14 Years**

[21] Appl. No.: **70,650**

[22] Filed: **May 13, 1997**

[51] LOC (6) Cl. .... **14-02**

[52] U.S. Cl. .... **D14/107**

[58] Field of Search ..... D14/100, 107, D14/114, 116; 358/490-1, 494, 496, 498, 474; 382/312-15; D18/36-7, 50, 54-5

[56] **References Cited**

**U.S. PATENT DOCUMENTS**

- D. 349,922 8/1994 Tashiro ..... D18/50
- D. 366,650 1/1996 McKinnon, Jr. et al. .... D14/114
- D. 369,180 4/1996 Fukaya et al. .... D18/50
- D. 370,008 5/1996 Cheng ..... D14/107
- D. 372,467 8/1996 Lee ..... D14/107

- D. 373,595 9/1996 Askren et al. .... D18/50
- D. 381,679 7/1997 Dubson ..... D18/56 X
- D. 382,256 8/1997 Lin ..... D14/107

*Primary Examiner*—M. H. Tung  
*Attorney, Agent, or Firm*—Beveridge, DeGrandi, Weilacher & Young LLP

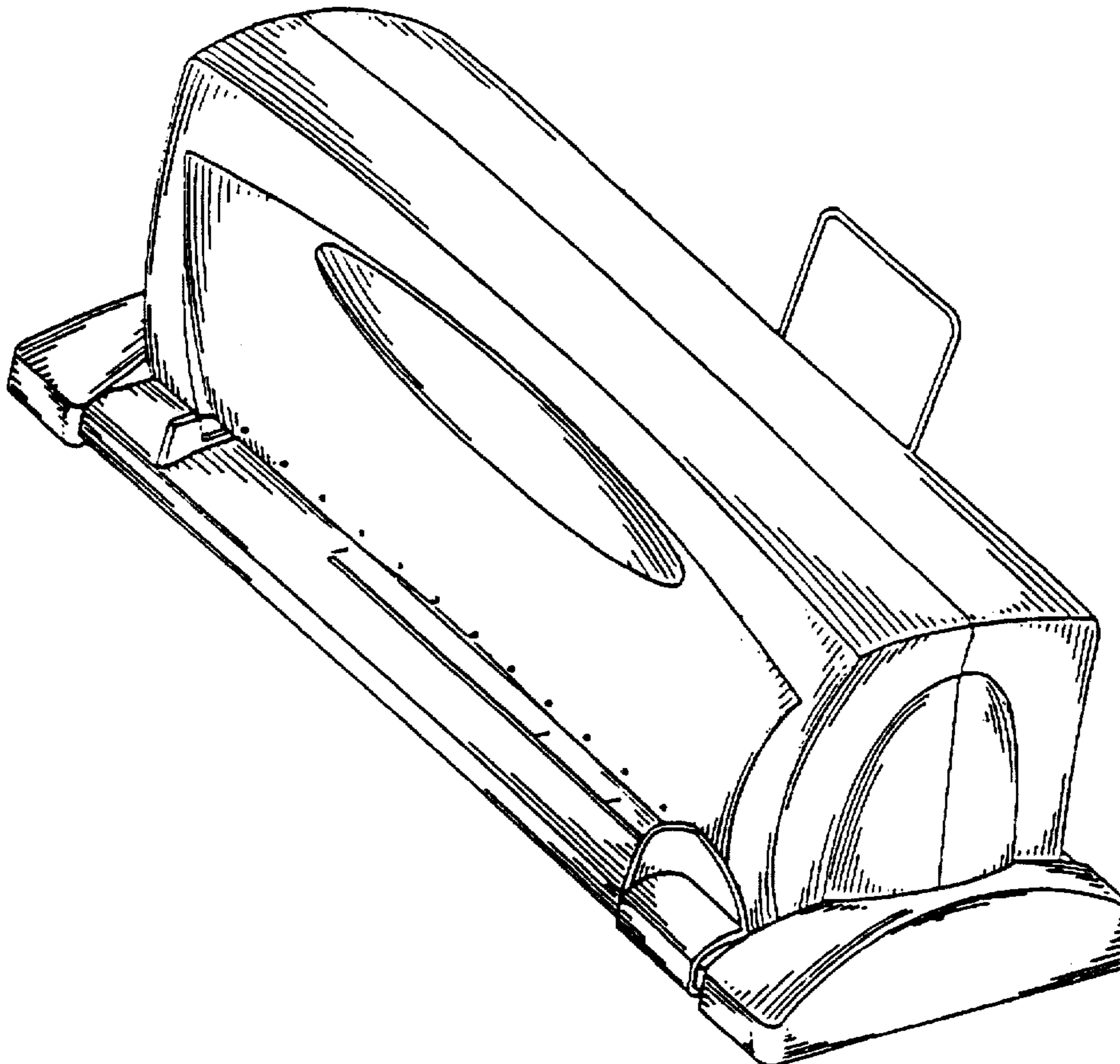
[57] **CLAIM**

The ornamental design for a paper delivering scanner, as shown.

**DESCRIPTION**

FIG. 1 is a top view of the paper delivering scanner showing our new design;  
 FIG. 2 is a front elevational view thereof;  
 FIG. 3 is a bottom view thereof;  
 FIG. 4 is a rear elevational view thereof;  
 FIG. 5 is a leftside elevational view thereof;  
 FIG. 6 is a rightside elevational view thereof;  
 FIG. 7 is an enlarged sectional view taken along a line A—A of FIG. 1;  
 FIG. 8 is a top, left perspective view thereof; and  
 FIG. 9 is a exploded, top, left perspective view thereof.

**1 Claim, 7 Drawing Sheets**



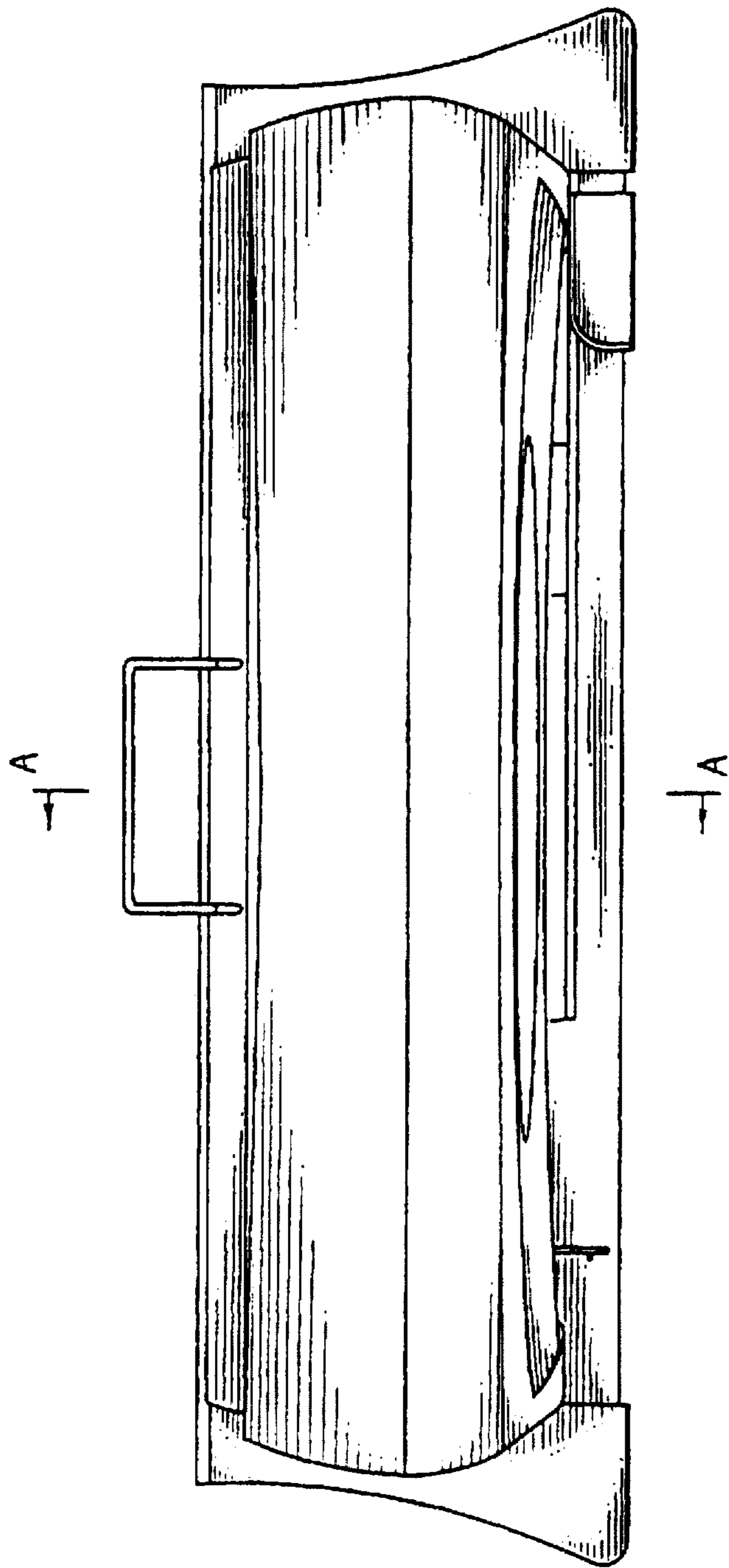


FIG. 1

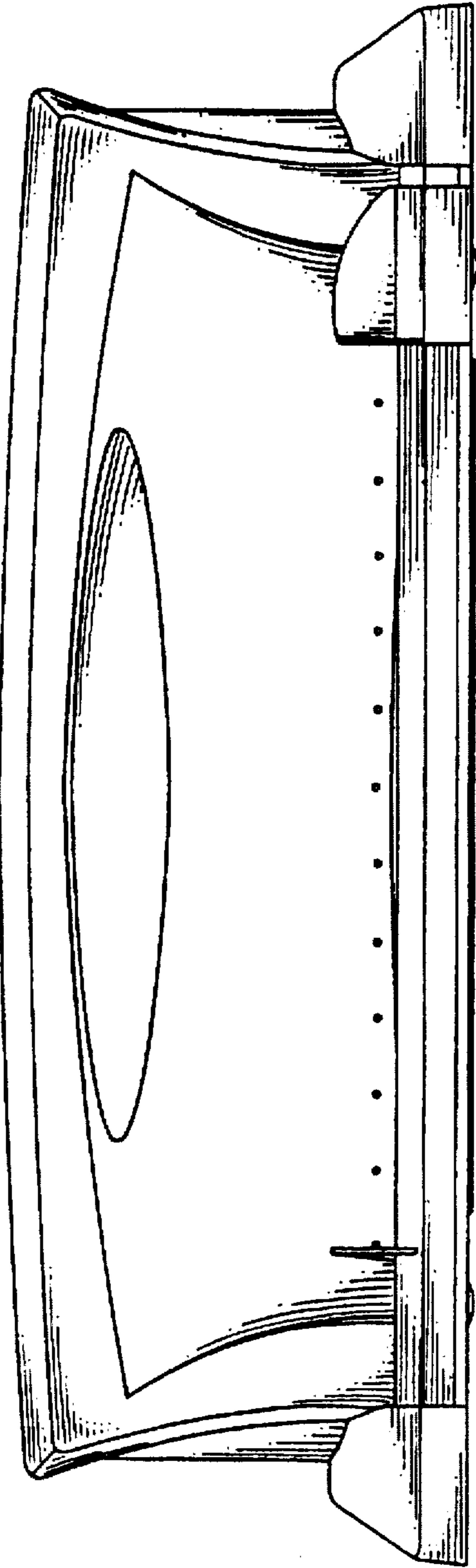


FIG. 2

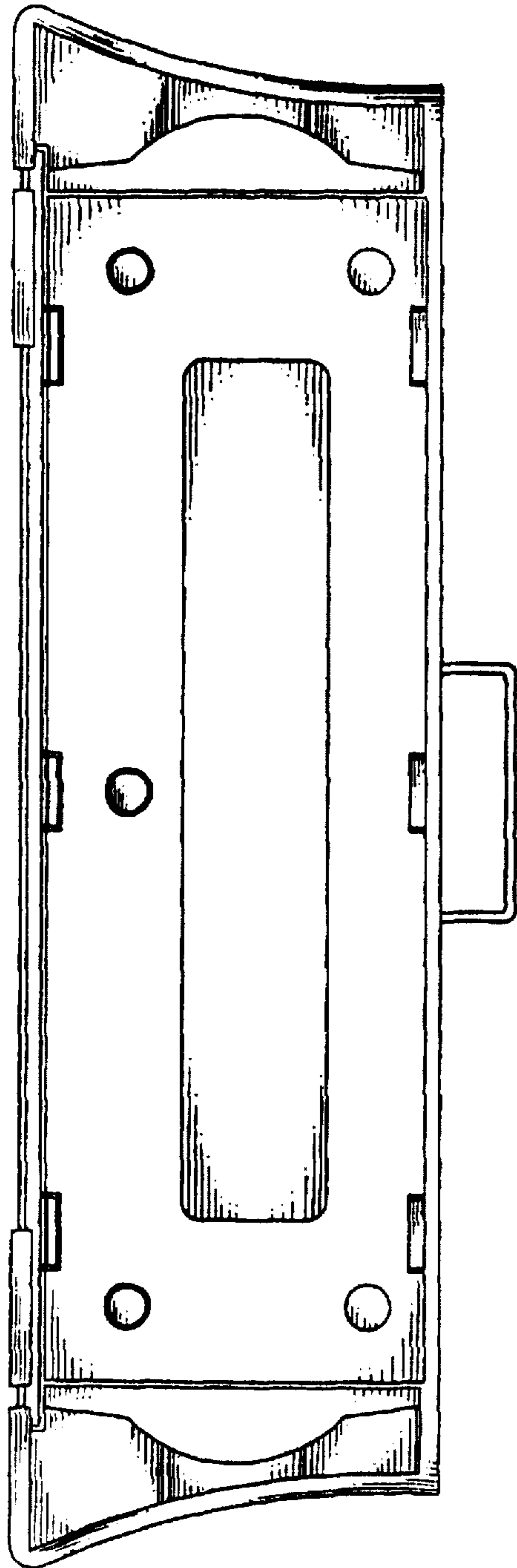


FIG. 3

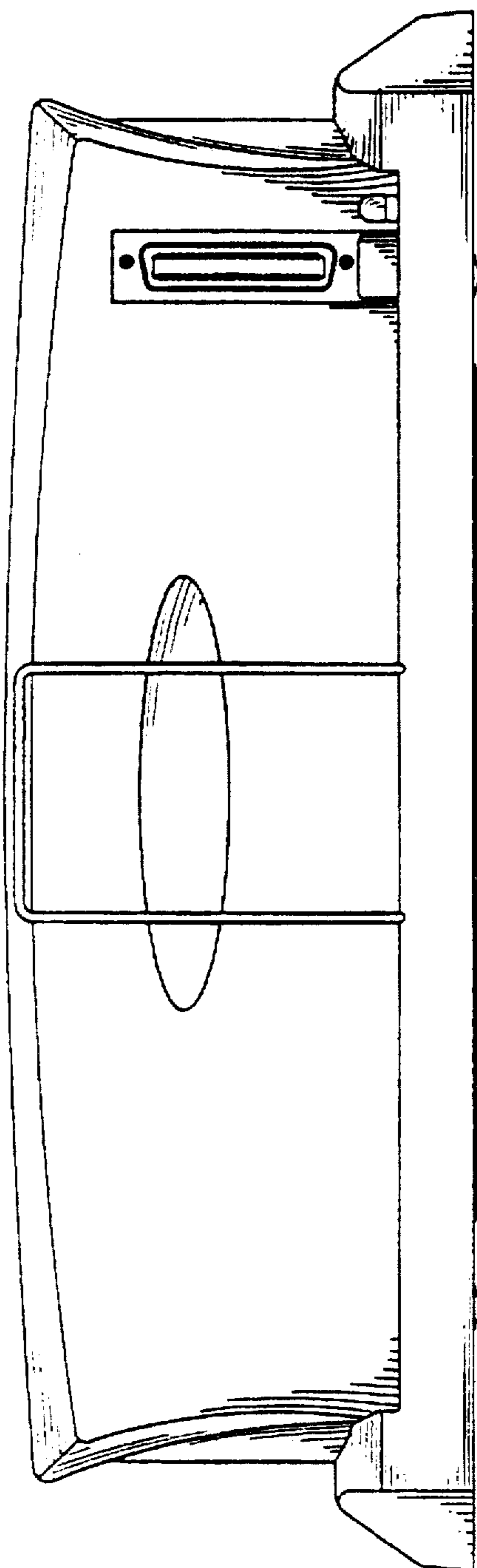


FIG. 4

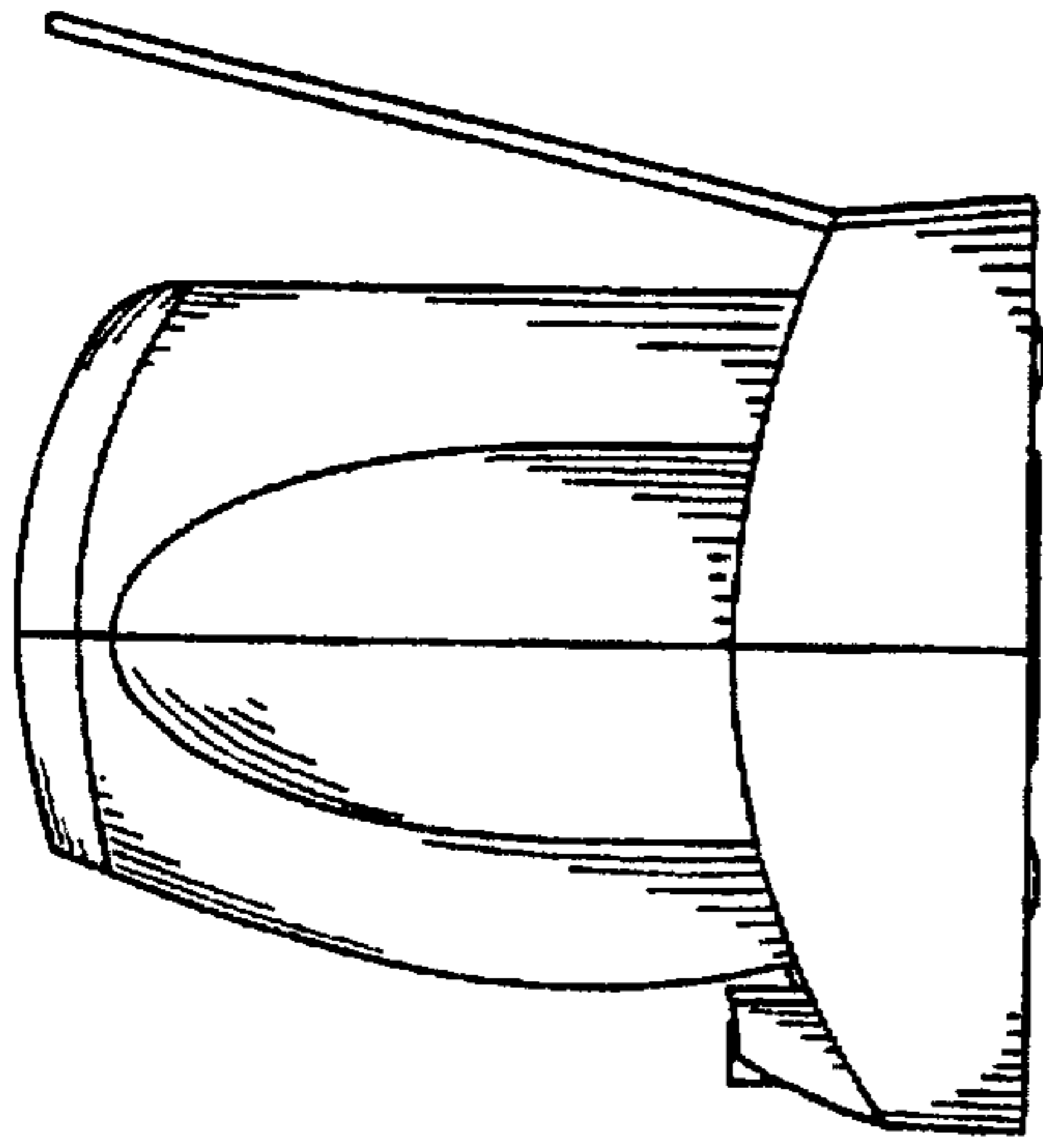


FIG. 5

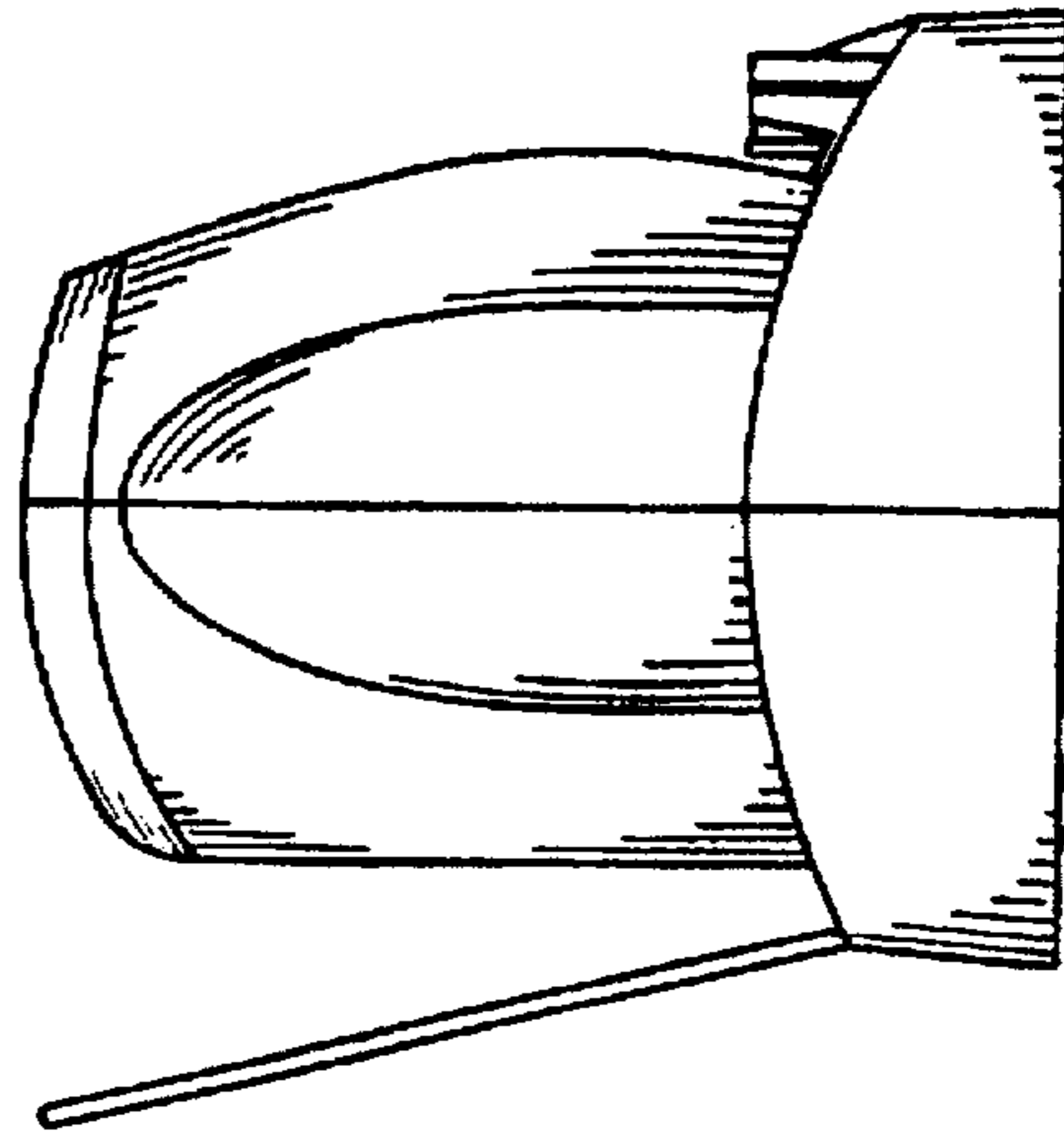


FIG. 6

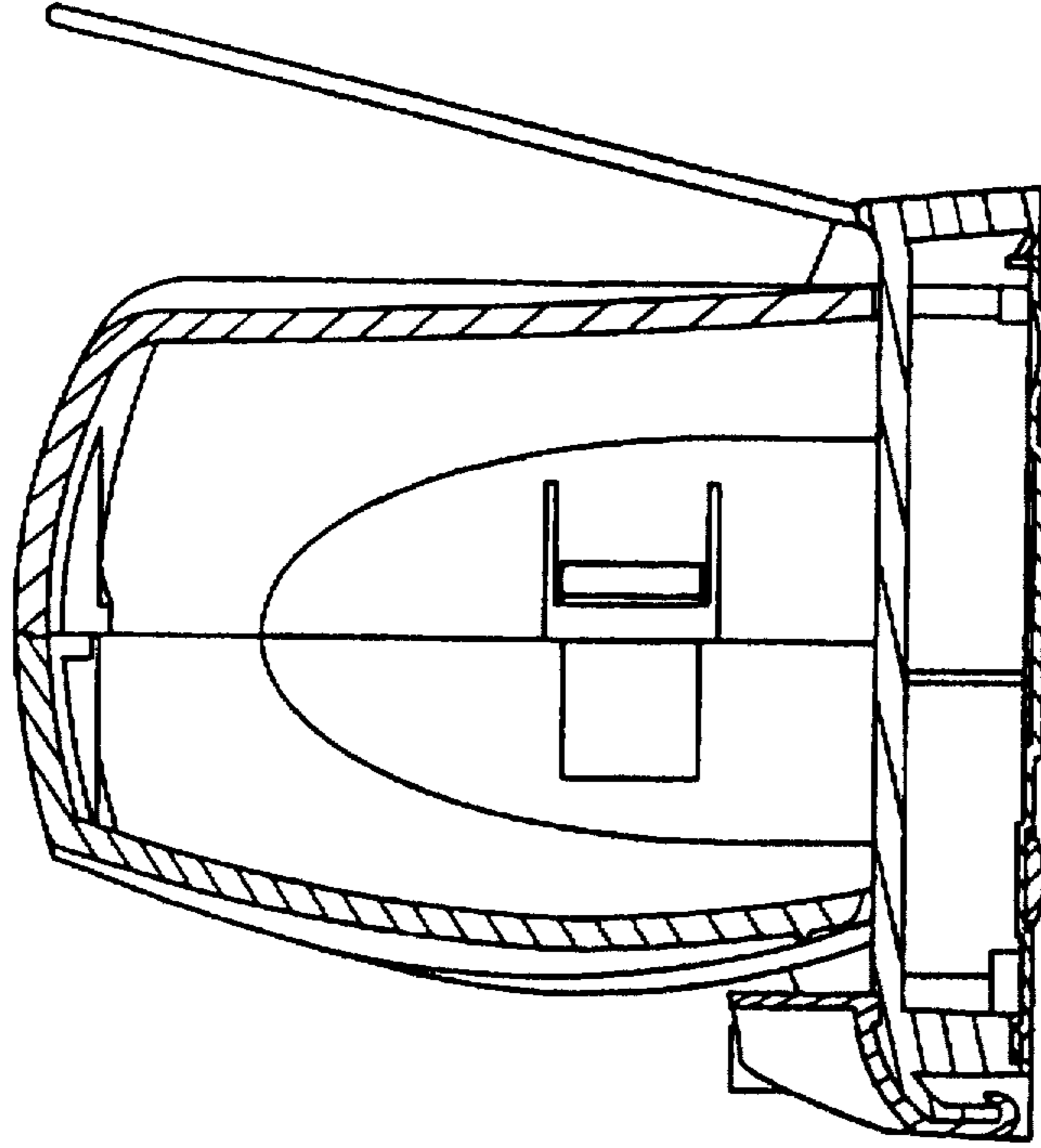


FIG. 7

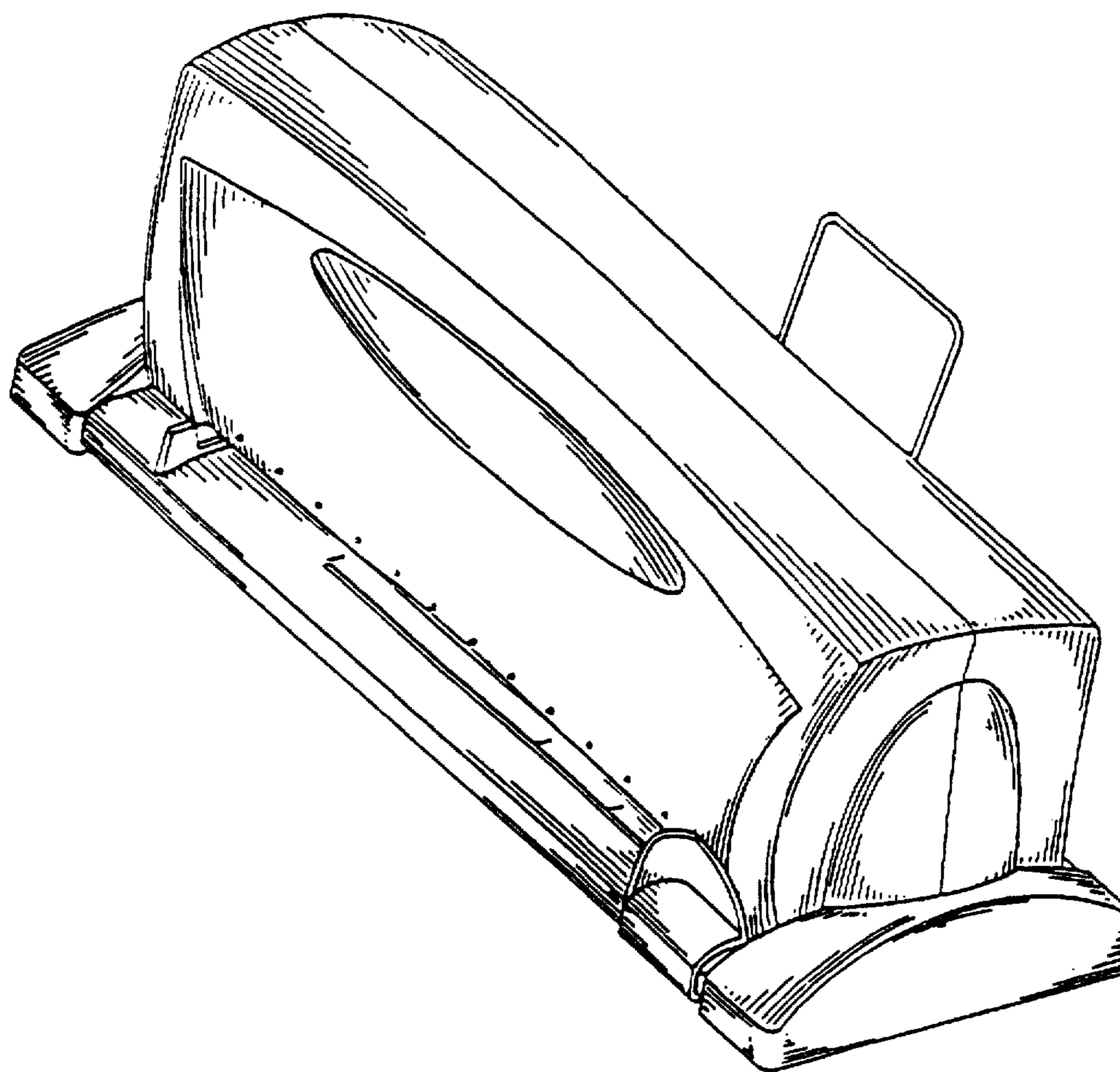


FIG. 8

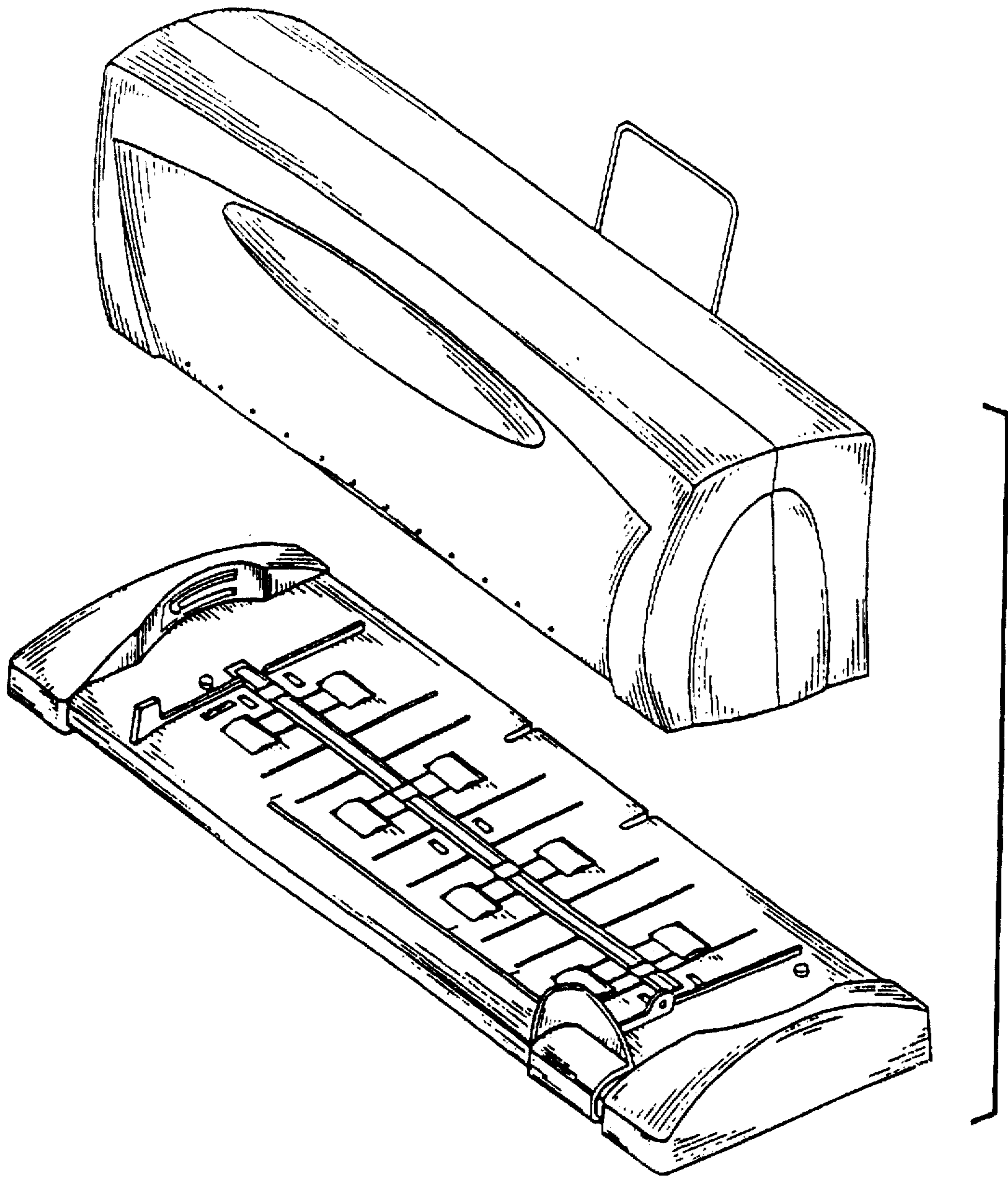


FIG. 9