



US00D397091S

United States Patent [19]
Wirth

[11] **Patent Number: Des. 397,091**

[45] **Date of Patent: **Aug. 18, 1998**

[54] **BATTERY SWITCH**

[75] **Inventor: Steven E. Wirth, Bloomington, Minn.**

[73] **Assignee: WirthCo Engineering, Inc.,
Bloomington, Minn.**

[**] **Term: 14 Years**

[21] **Appl. No.: 74,849**

[22] **Filed: Aug. 7, 1997**

[51] **LOC (6) Cl. 13-03**

[52] **U.S. Cl. D13/158**

[58] **Field of Search D13/158, 160,
D13/161; 200/331, 332, 334, 337**

[56] **References Cited**

U.S. PATENT DOCUMENTS

D. 331,041 11/1992 Fountain D13/158
5,401,930 3/1995 Eastlund 200/331 X

Primary Examiner—Brian N. Vinson
Attorney, Agent, or Firm—Roger W. Jensen

[57] **CLAIM**

The ornamental design for a battery switch, as shown and described.

DESCRIPTION

FIG. 1 is a top, front, and left side perspective view of a battery switch showing my new design, the broken-line disclosure of a portion of a battery terminal being for illustrative purposes only and forming no part of the claimed design;

FIG. 2 is a left side elevational view thereof;

FIG. 3 is a bottom plan view thereof;

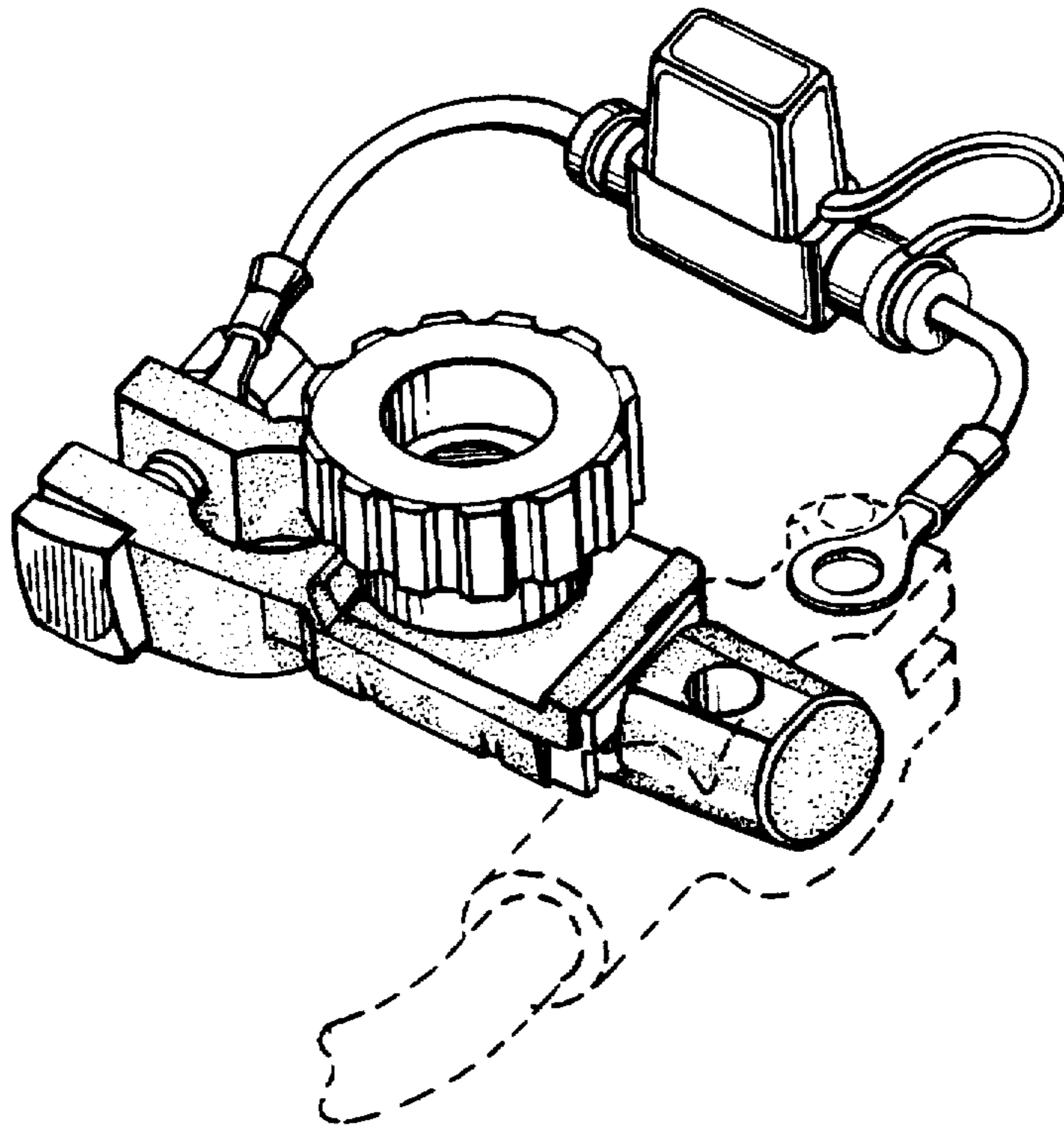
FIG. 4 is a front elevational view thereof;

FIG. 5 is a rear elevational view thereof;

FIG. 6 is a right side elevational view thereof; and,

FIG. 7 is a top plan view thereof.

1 Claim, 2 Drawing Sheets



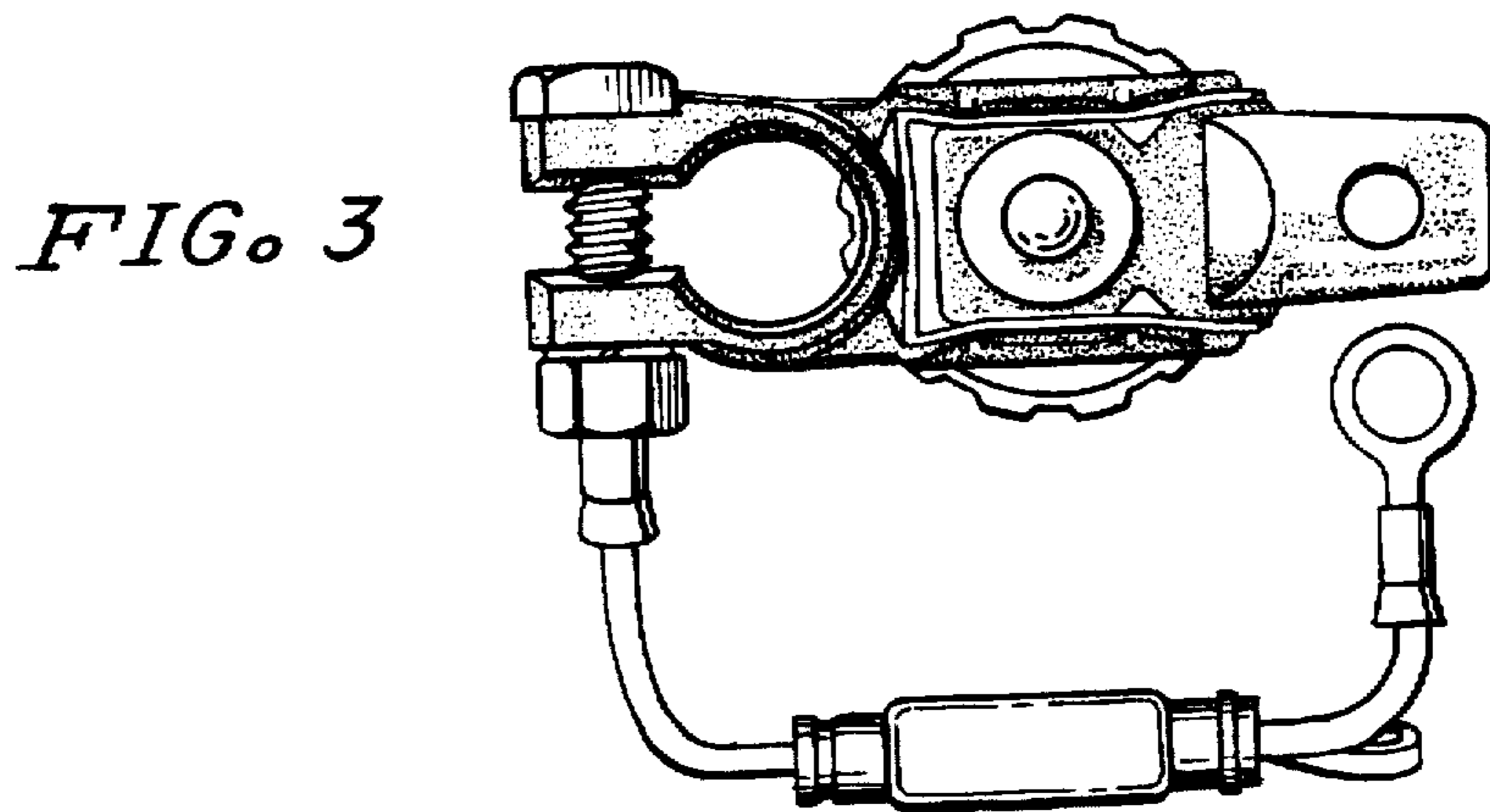
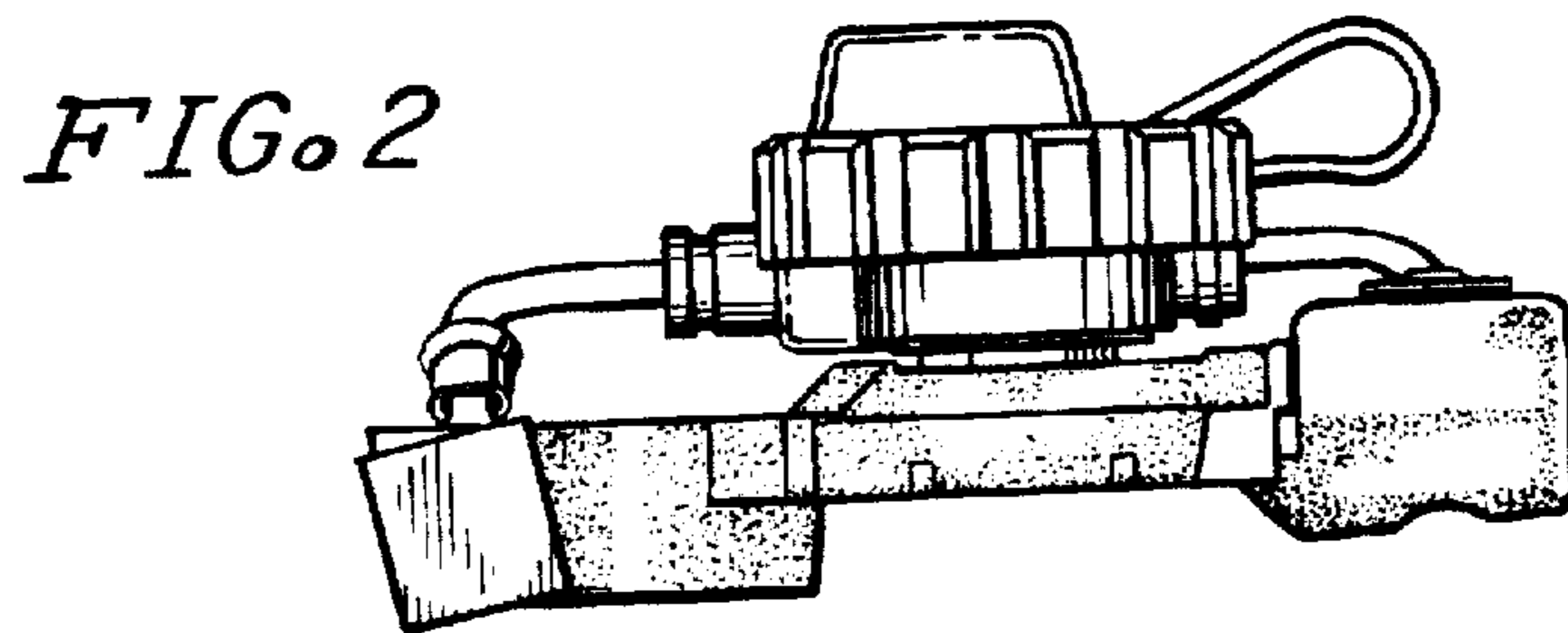
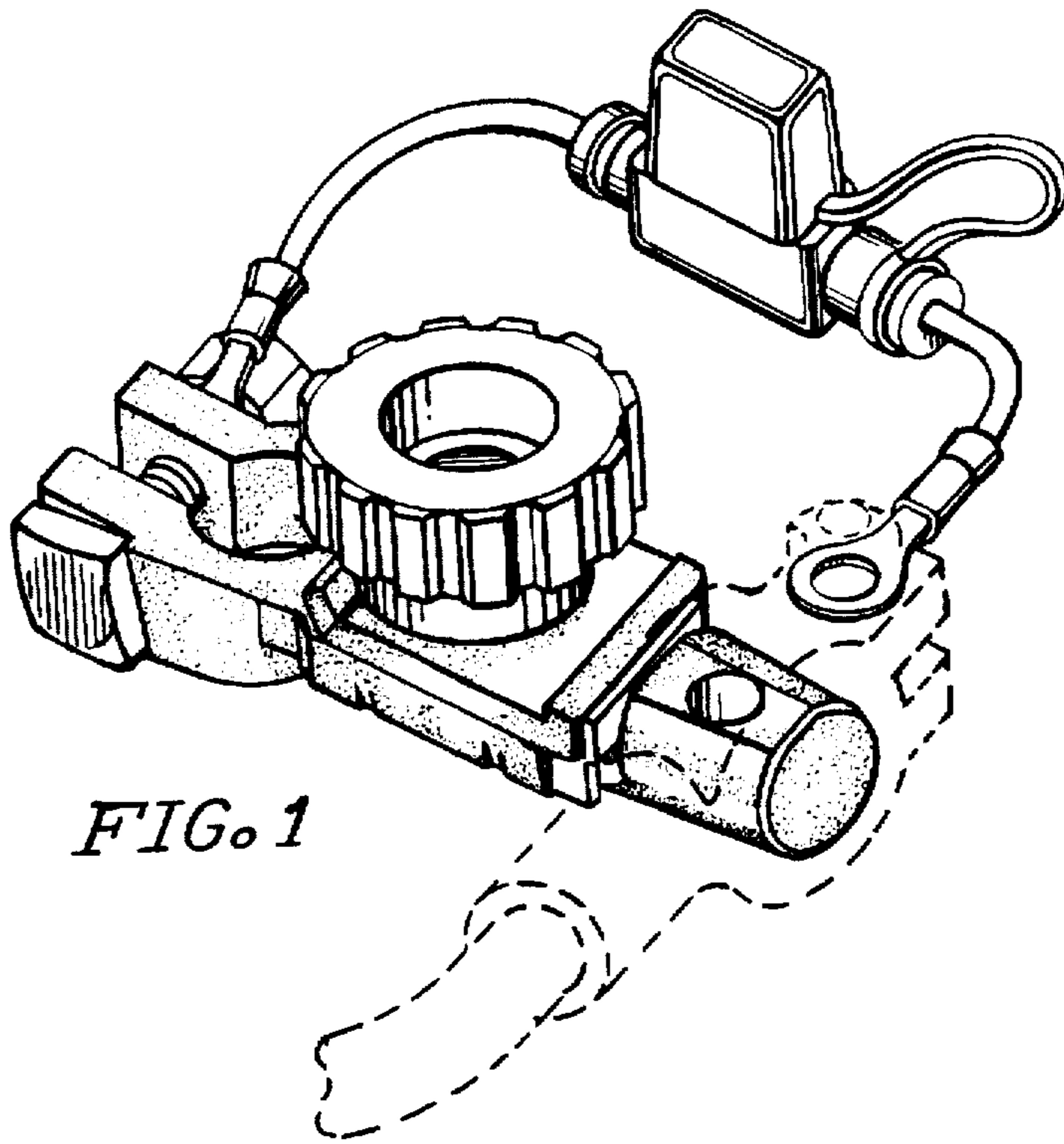


FIG. 4

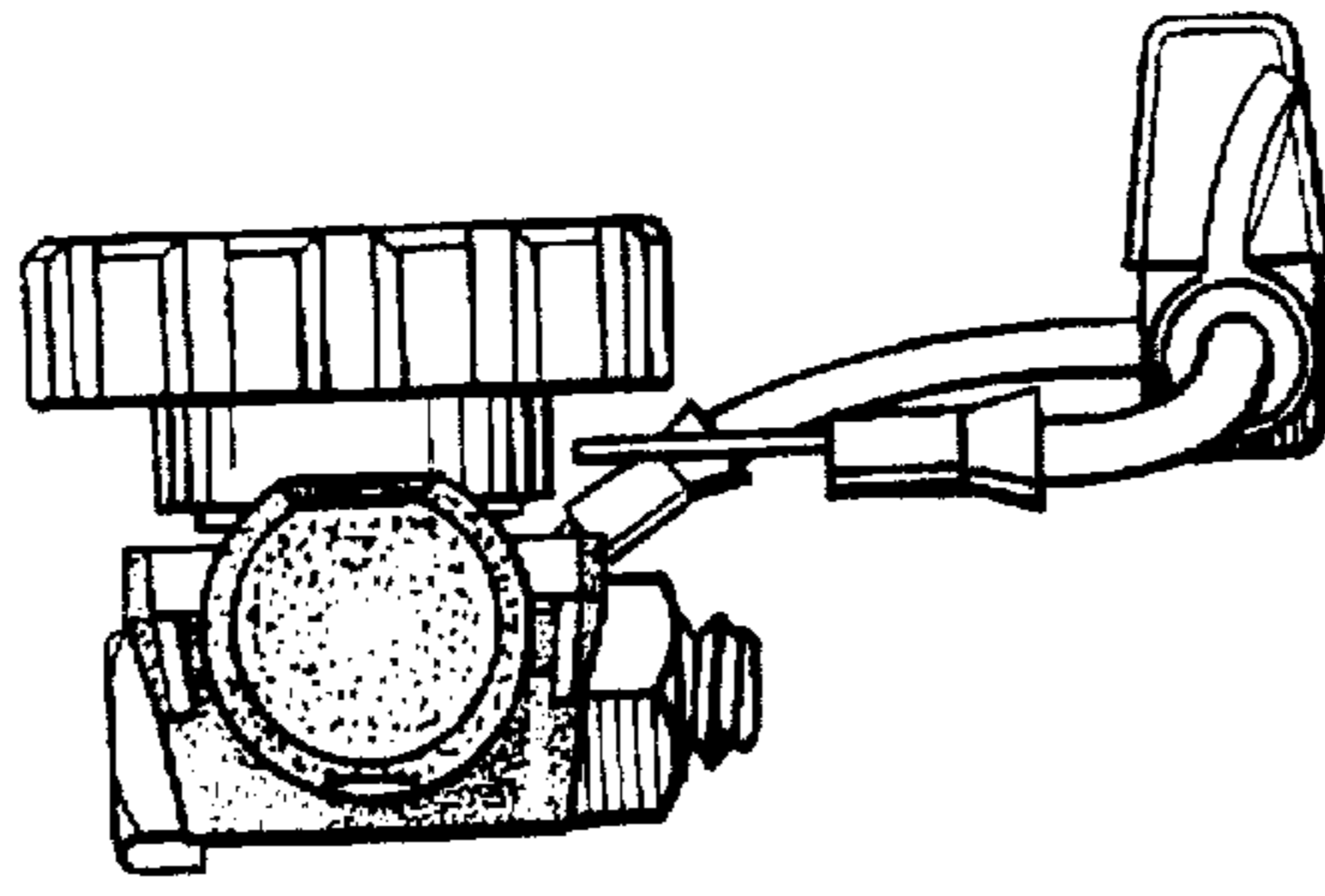


FIG. 5

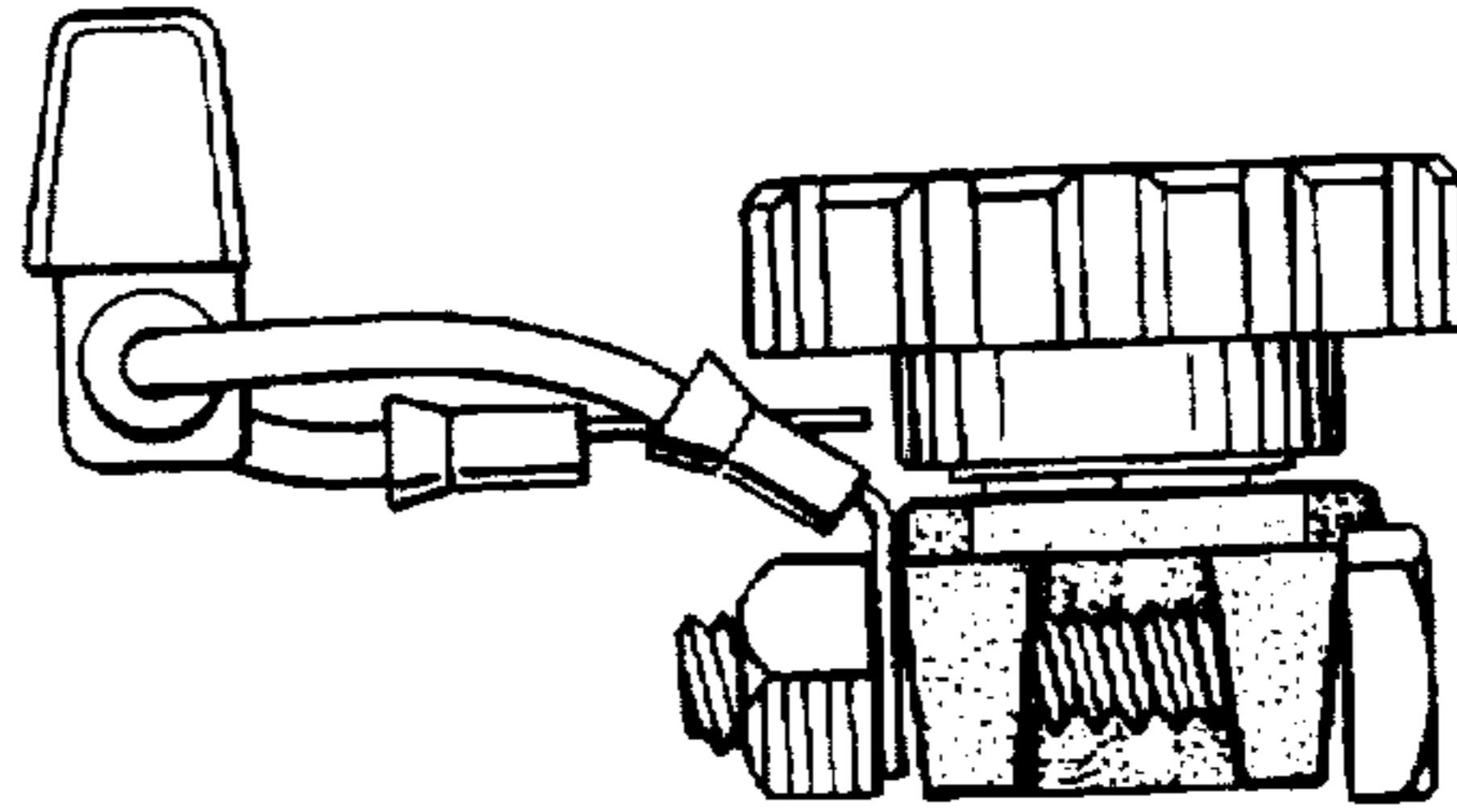


FIG. 6

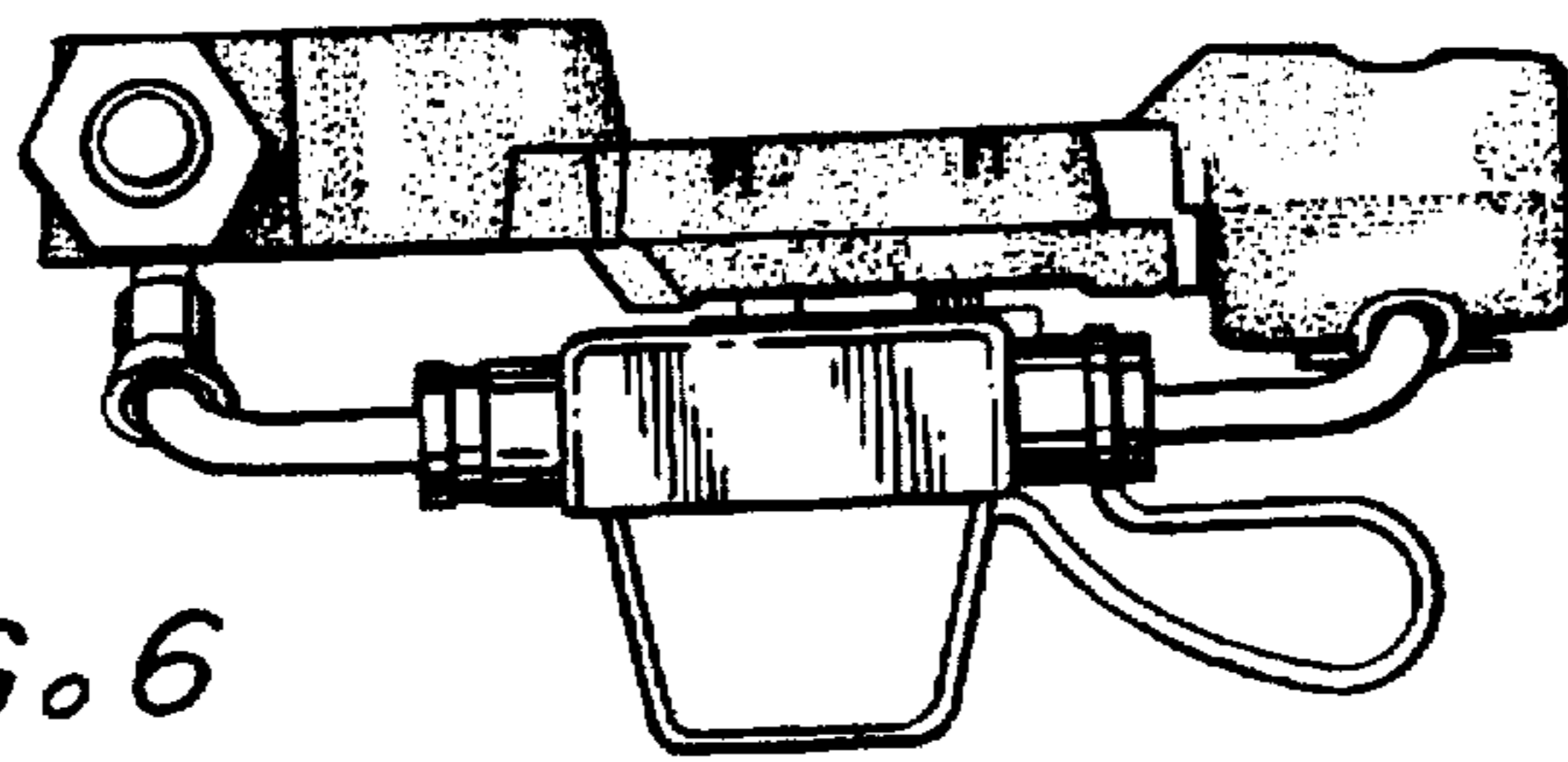


FIG. 7

