



US00D397088S

United States Patent [19]

Heung et al.

[11] Patent Number: **Des. 397,088**

[45] Date of Patent: ****Aug. 18, 1998**

[54] **SURGE PROTECTOR**

[75] Inventors: **Leny Heung; Samuel Cheung**, both of Hong Kong, Hong Kong

[73] Assignee: **Recoton Corporation**, Lake Mary, Fla.

[**] Term: **14 Years**

[21] Appl. No.: **69,736**

[22] Filed: **Apr. 16, 1997**

[51] **LOC (6) Cl.** **13-03**

[52] **U.S. Cl.** **D13/139.6**

[58] **Field of Search** D13/139.1-139.8, D13/137.1-137.4, 146, 147; 439/214, 215, 620, 638, 650, 651, 652, 653, 107, 535, 76.1, 502; 307/141; 361/115, 118, 119, 56; 200/51.11

[56] **References Cited**

U.S. PATENT DOCUMENTS

- D. 368,893 4/1996 Harwood et al. D13/139.8
- D. 380,733 7/1997 Parshad D13/139.6

D. 382,855 8/1997 Salmond et al. D13/139.8

Primary Examiner—Susan J. Lucas
Assistant Examiner—Jennifer Rivard
Attorney, Agent, or Firm—Levisohn, Lerner, Berger & Langsam

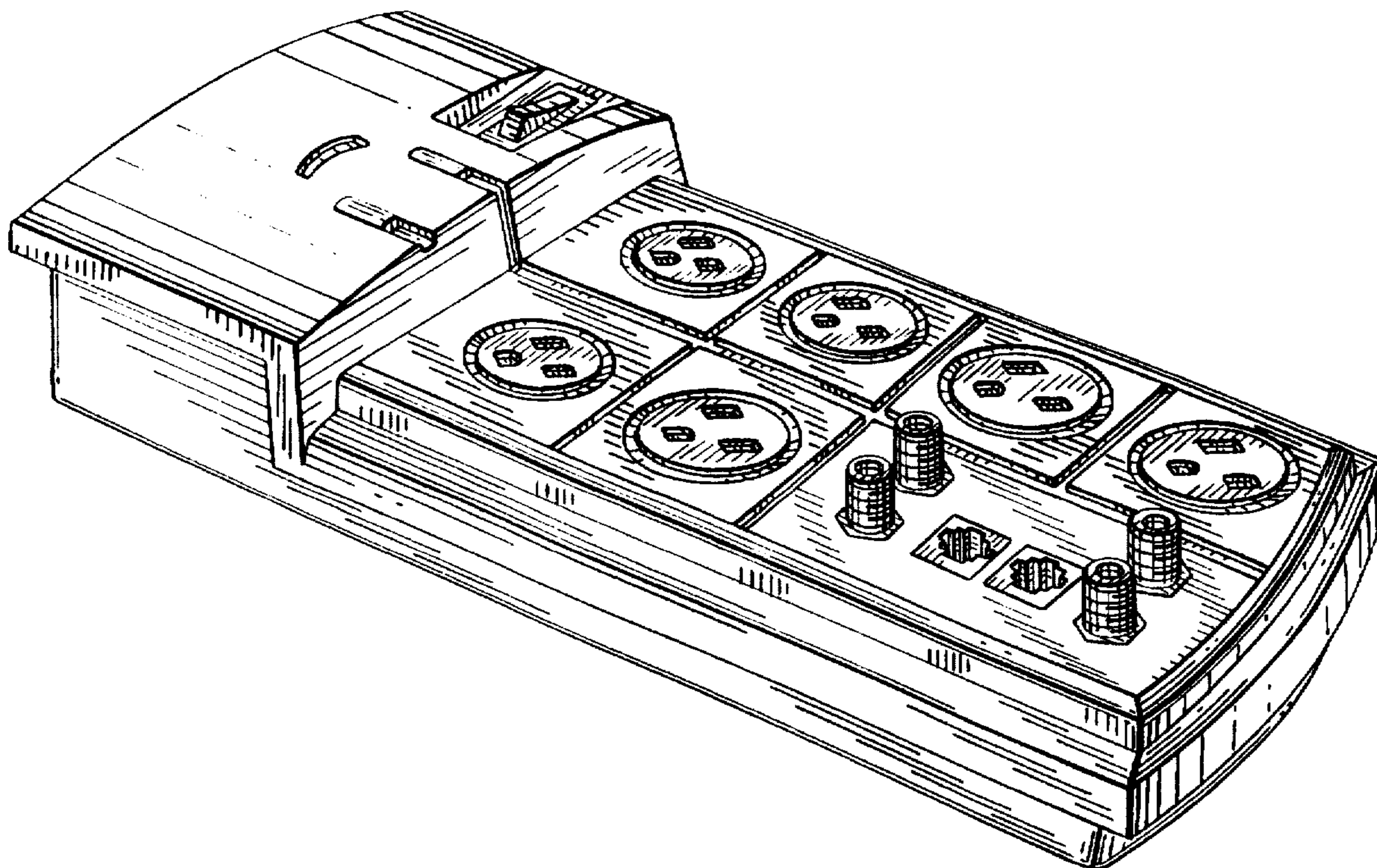
[57] **CLAIM**

The ornamental design for a surge protector, as shown and described.

DESCRIPTION

FIG. 1 is a perspective view of the surge protector of this invention;
FIG. 2 is a top view of the surge protector of this invention;
FIG. 3 is a left side view of the surge protector of this invention;
FIG. 4 is a front view of the surge protector of this invention;
FIG. 5 is a right view of the surge protector of this invention;
FIG. 6 is a rear view of the surge protector of this invention;
and,
FIG. 7 is a bottom view of the surge protector of this invention.

1 Claim, 4 Drawing Sheets



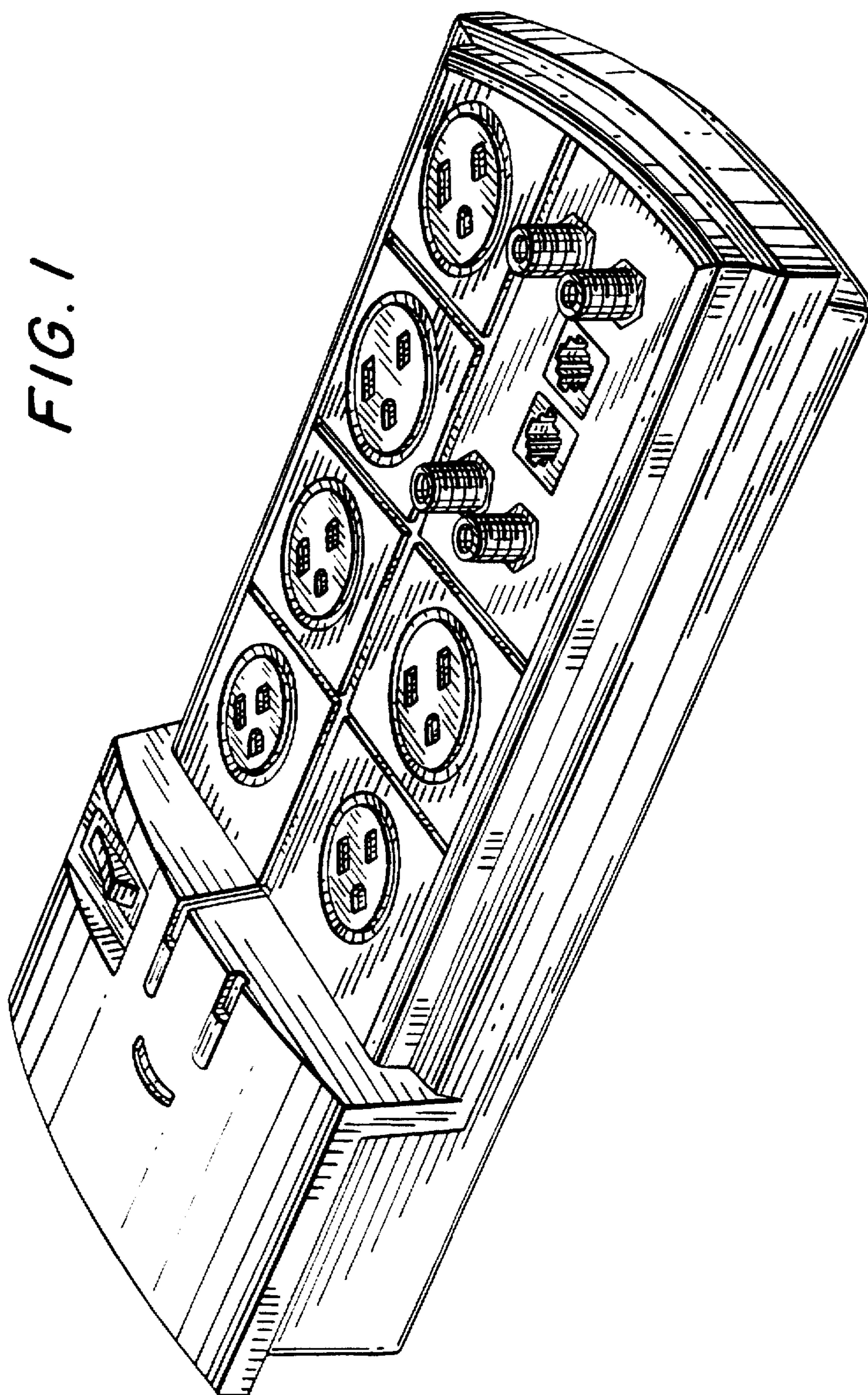


FIG. 1

FIG. 2

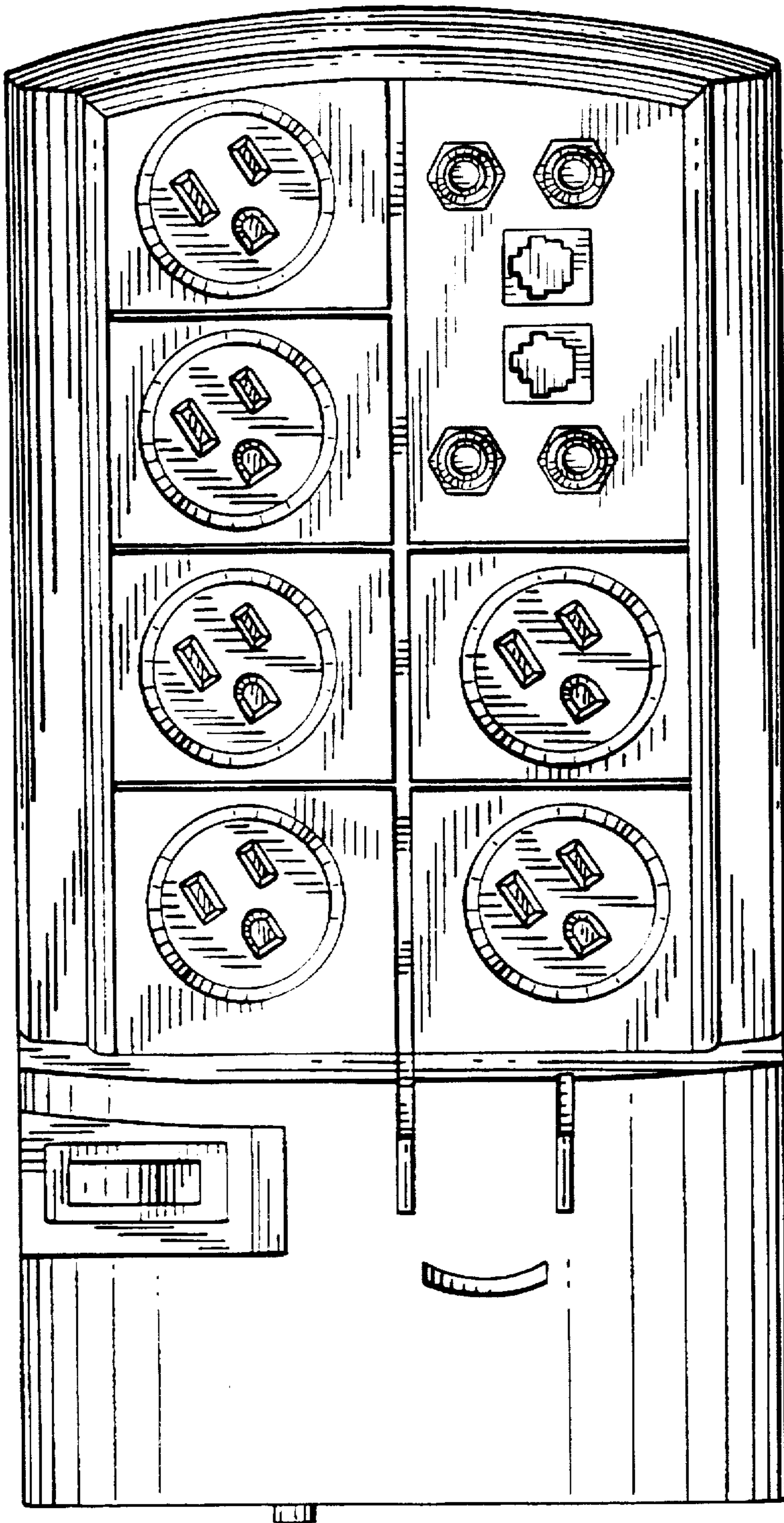


FIG. 3

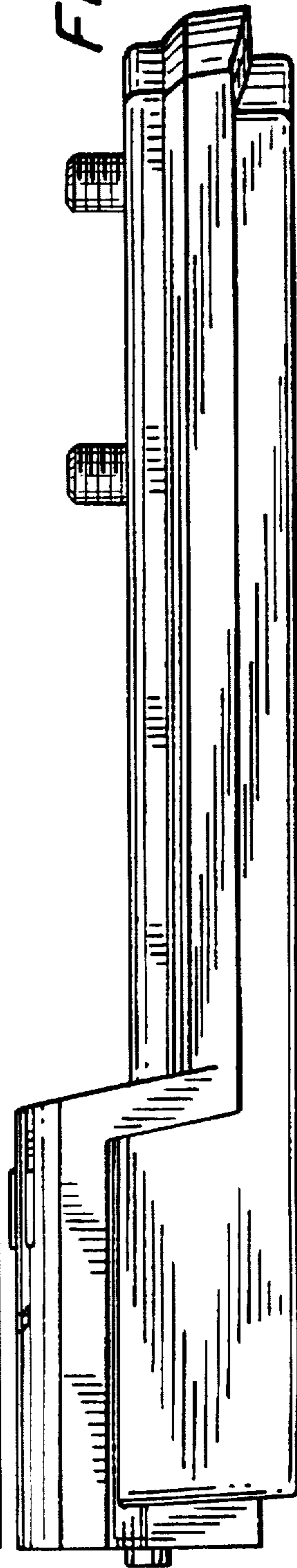


FIG. 4

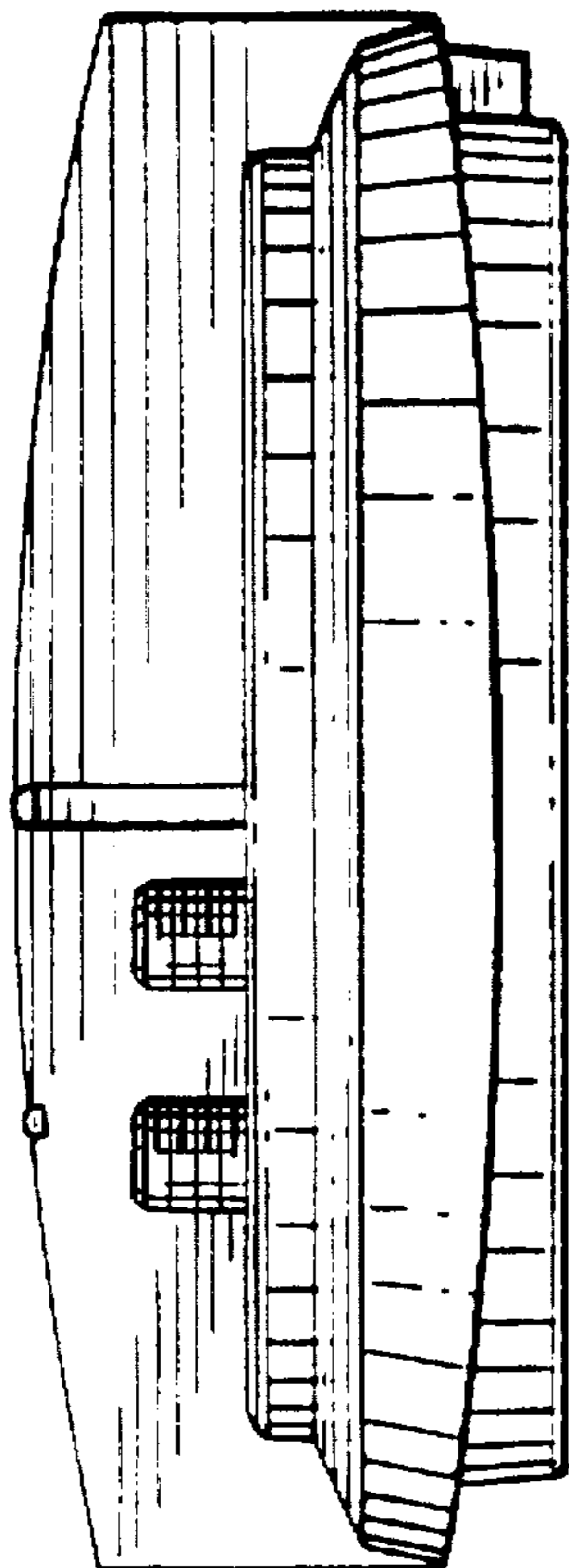


FIG. 5

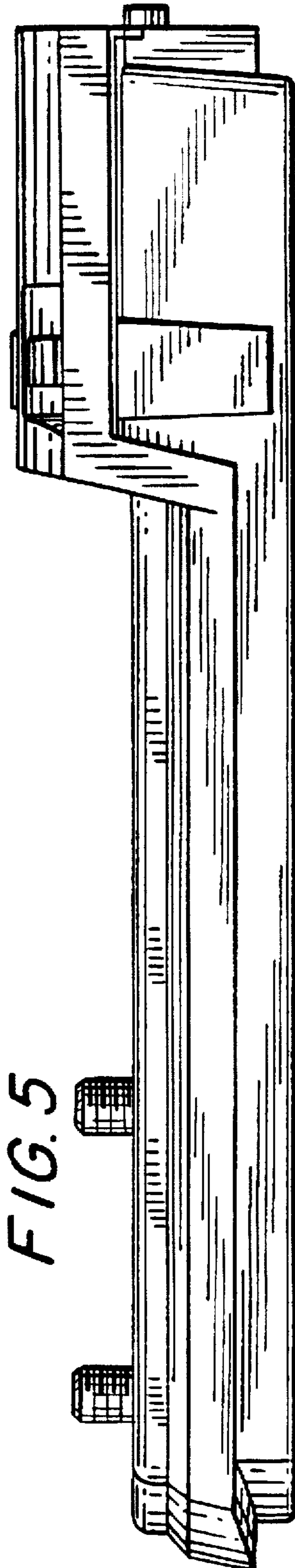


FIG. 6

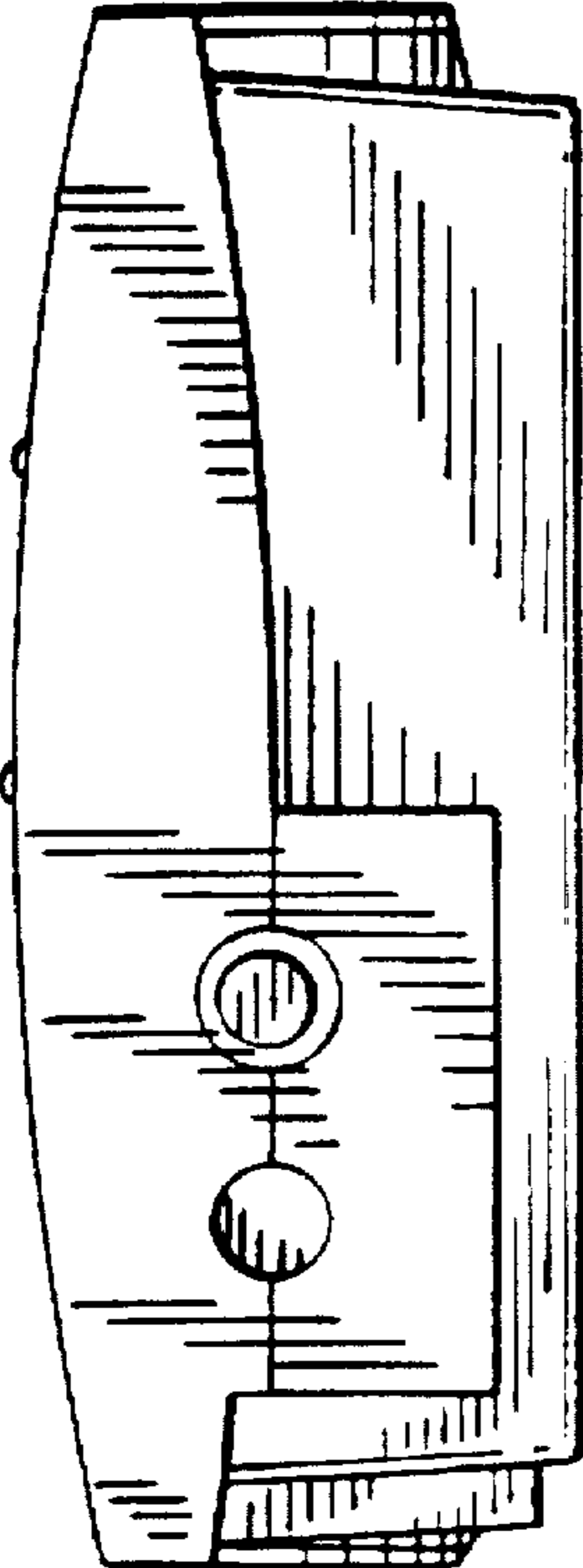


FIG. 7

