



US00D397087S

# United States Patent [19]

[11] Patent Number: **Des. 397,087**

Heung et al.

[45] Date of Patent: **\*\*Aug. 18, 1998**

[54] **SURGE PROTECTOR**

[75] Inventors: **Leny Heung; Samuel Cheung**, both of Hong Kong, Hong Kong

[73] Assignee: **Recoton Corporation**, Lake Mary, Fla.

[\*\*] Term: **14 Years**

[21] Appl. No.: **69,734**

[22] Filed: **Apr. 16, 1997**

[51] LOC (6) Cl. .... **13-03**

[52] U.S. Cl. .... **D13/139.6**

[58] Field of Search ..... **D13/139.1-139.8, D13/137.1, 137.4, 146, 147; 439/214, 620, 638, 650, 651, 652, 107, 535, 76.1, 502, 215; 307/141; 361/115, 119, 118, 56; 200/51.11**

[56] **References Cited**

**U.S. PATENT DOCUMENTS**

D. 368,893	4/1996	Harwood et al. ....	D13/139.8
D. 380,733	7/1997	Parshad .....	D13/139.6
D. 382,855	8/1997	Salmond et al. ....	D13/139.8

*Primary Examiner*—Susan J. Lucas

*Assistant Examiner*—Jennifer Rivard

*Attorney, Agent, or Firm*—Levisohn, Lerner, Berger & Langsam

[57] **CLAIM**

The ornamental design for a surge protector, as shown and described.

**DESCRIPTION**

FIG. 1 is a perspective view of the surge protector of this invention;

FIG. 2 is a top view of the surge protector of this invention;

FIG. 3 is a left side view of the surge protector of this invention;

FIG. 4 is a front view of the surge protector of this invention;

FIG. 5 is a right view of the surge protector of this invention;

FIG. 6 is a rear view of the surge protector of this invention; and,

FIG. 7 is a bottom view of the surge protector of this invention.

**1 Claim, 4 Drawing Sheets**

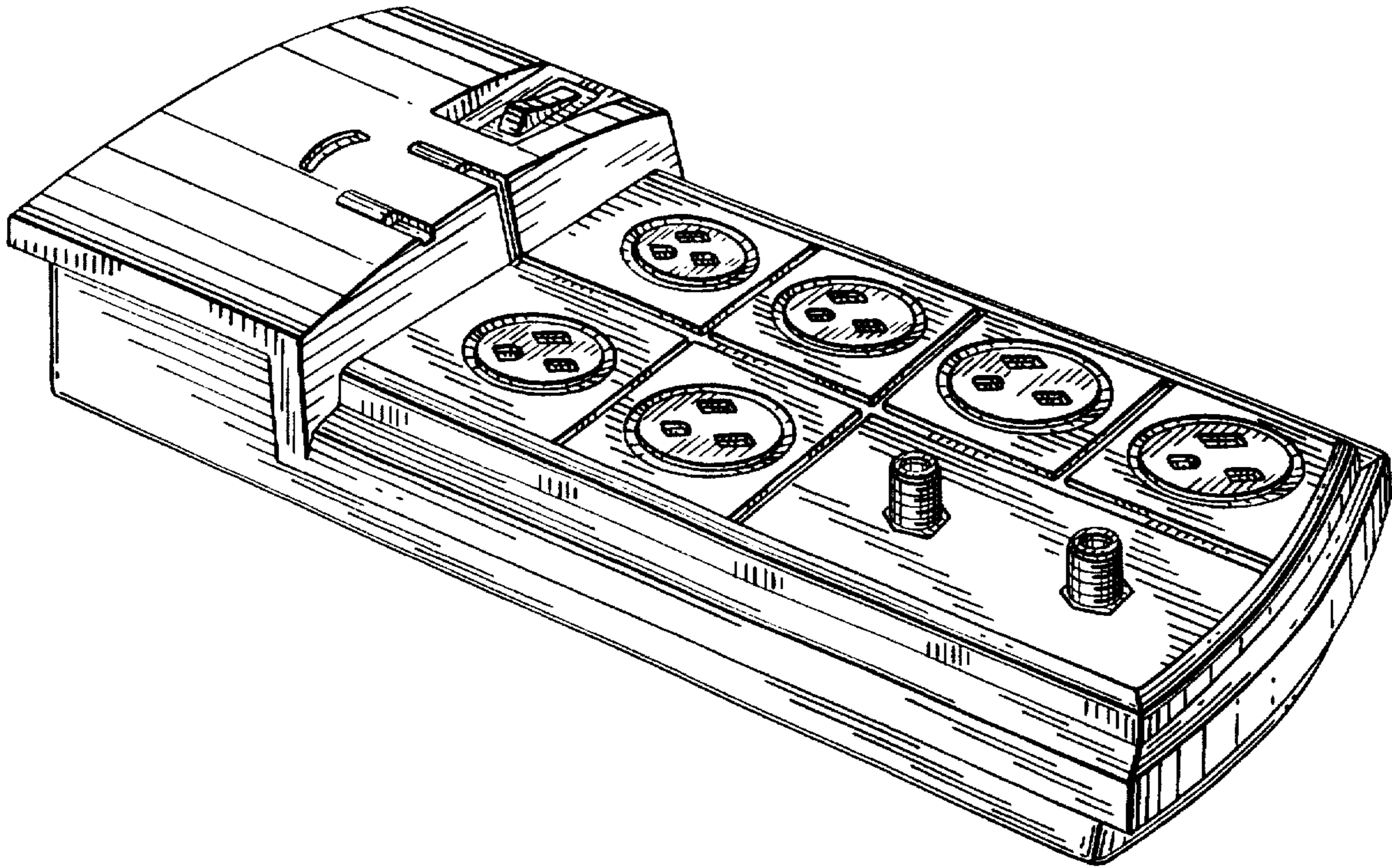


FIG. 1

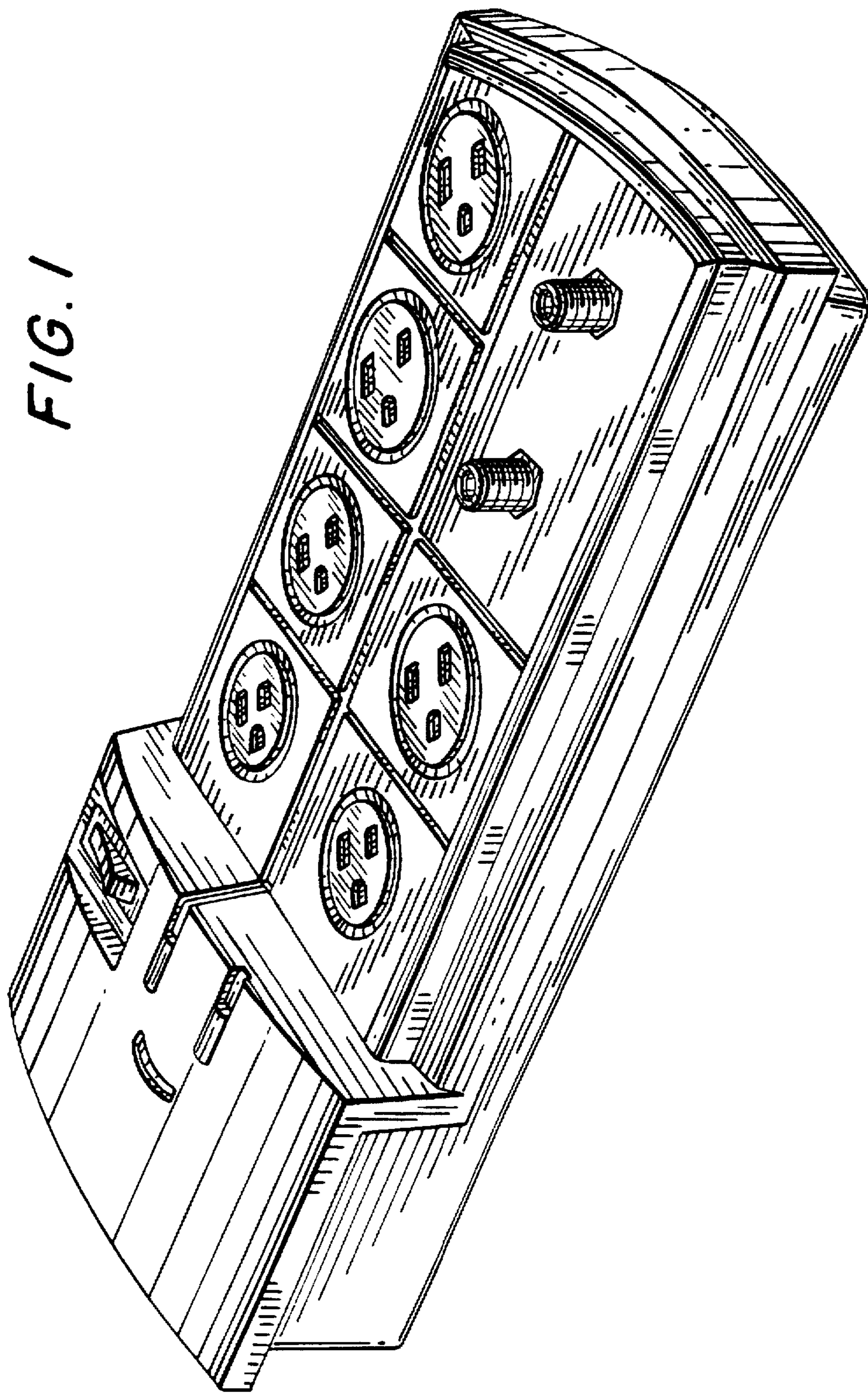


FIG. 2

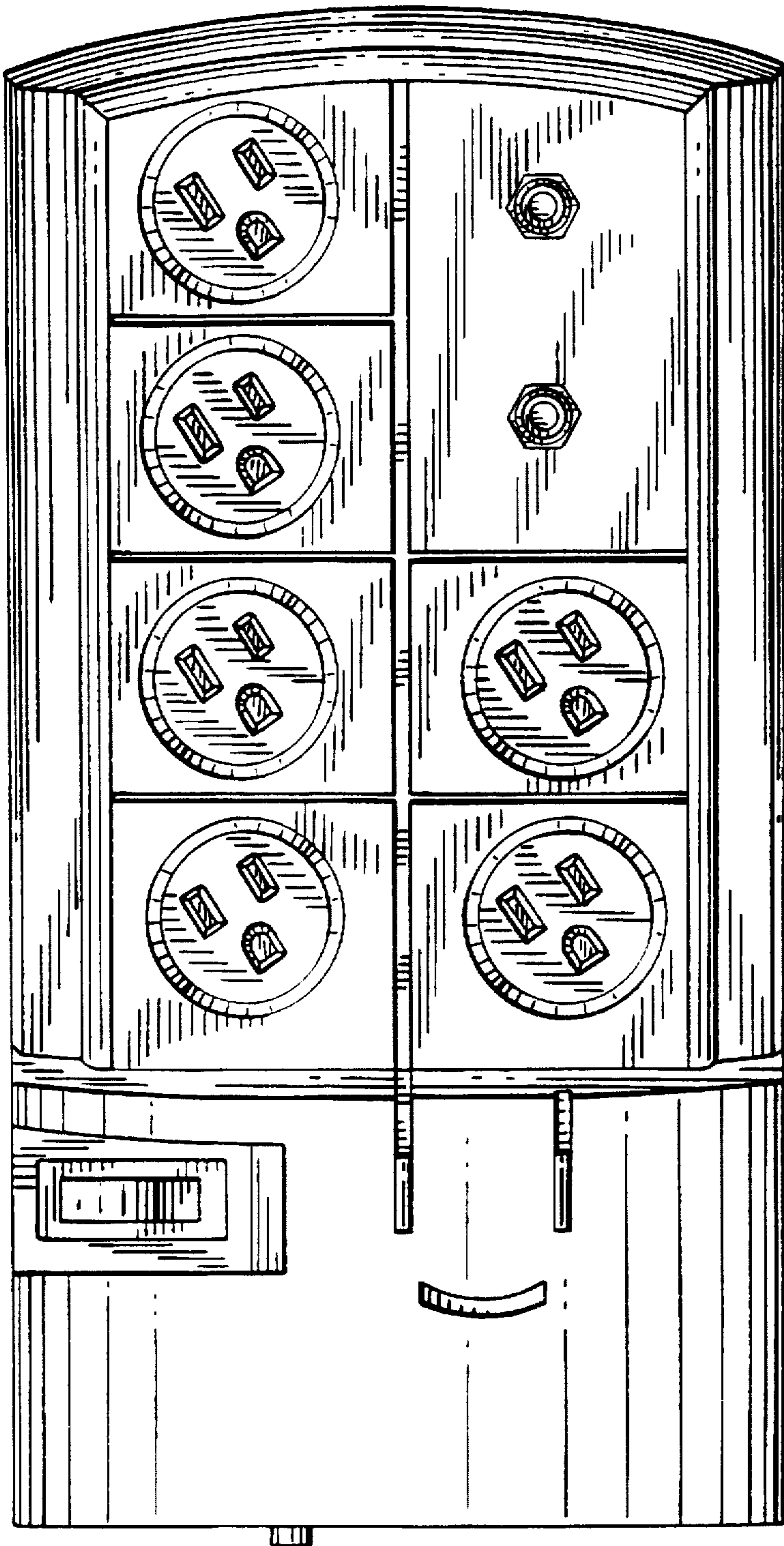


FIG. 3

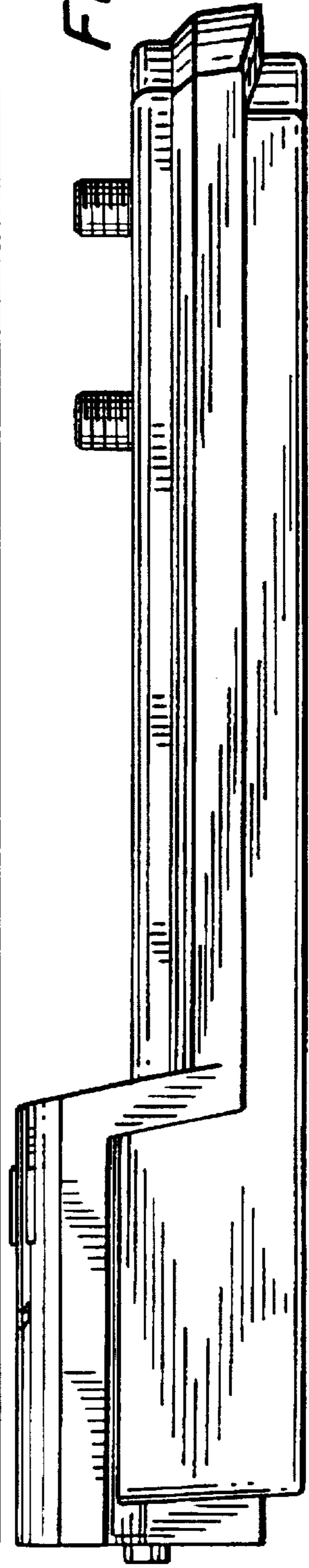


FIG. 4

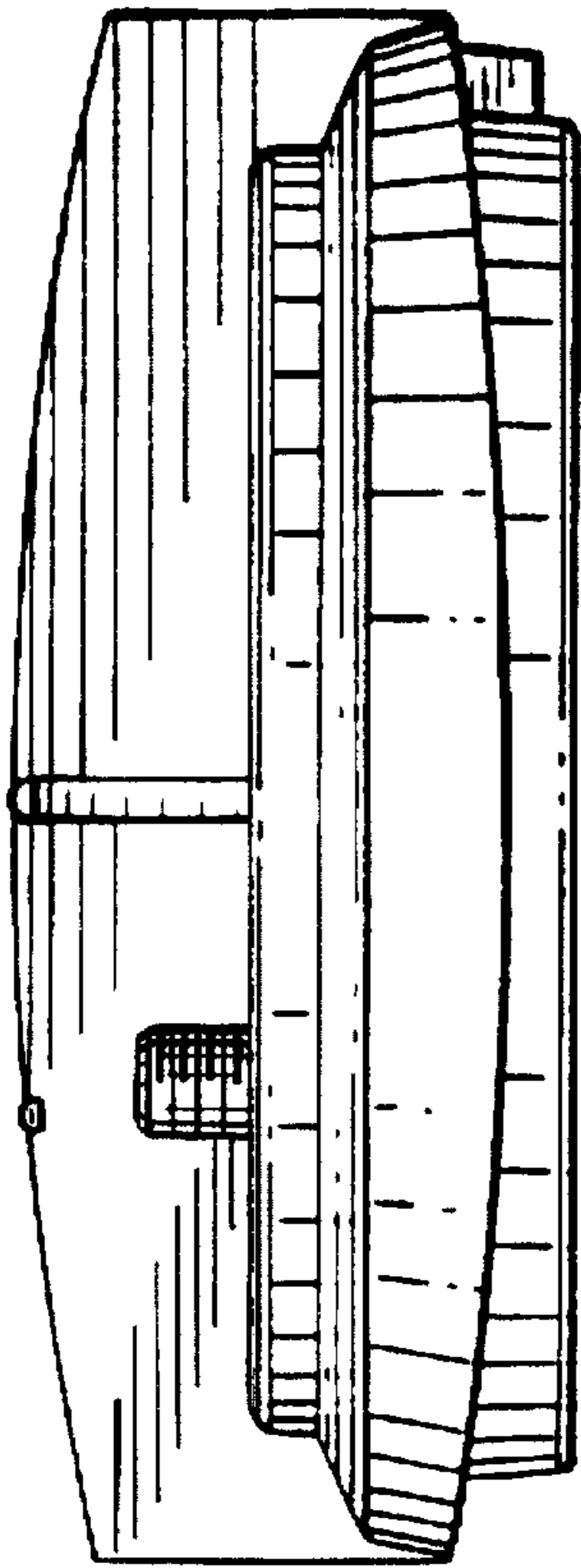


FIG. 5

