



US00D397085S

United States Patent [19]
Blase

[11] **Patent Number: Des. 397,085**
[45] **Date of Patent: **Aug. 18, 1998**

[54] **BATTERY CHARGER POCKET**
[75] **Inventor: Daniel J. Blase, Everett, Wash.**
[73] **Assignee: Intermec Technologies Corporation, Everett, Wash.**
[**] **Term: 14 Years**
[21] **Appl. No.: 70,380**
[22] **Filed: Apr. 28, 1997**
[51] **LOC (6) Cl. 13-02**
[52] **U.S. Cl. D13/118**
[58] **Field of Search D13/107, 108; 320/107, 112-115**

1487604 10/1977 United Kingdom .

OTHER PUBLICATIONS

VCR and Camcorder Batteries on p. 108 of *MCM Electronics* Summer 1991 catalog.
Sony Rechargeable Battery Pack, *NP-55/55H/66/66H/77/77H* Instruction Sheet, 1991.
Sony Rechargeable Battery Pack, *NP 60D* Instruction Sheet, 1991.

Primary Examiner—Joel Sincavage
Attorney, Agent, or Firm—Seed and Berry LLP

[57] **CLAIM**

The ornamental design for a battery charger pocket, as shown and described.

DESCRIPTION

FIG. 1 is a top front isometric view of a battery charger pocket showing my new design;
FIG. 2 is a top rear isometric view thereof;
FIG. 3 is a top plan view thereof;
FIG. 4 is a bottom plan view thereof;
FIG. 5 is a front elevational cross-sectional view taken along the lines 5—5 of FIG. 3;
FIG. 6 is a side elevational cross-sectional view taken along the lines 6—6 of FIG. 3;
FIG. 7 is a front elevational view, the rear elevational view being a mirror image thereof;
FIG. 8 is a left side elevational view, the right side elevational view being a mirror image thereof;
FIG. 9 is a side elevational cross-sectional view taken along the lines 9—9 of FIG. 7;
FIG. 10 is a side elevational cross-sectional view taken along the lines 10—10 of FIG. 7;
FIG. 11 is a front isometric view of a battery charger pocket showing my new design mounted in a panel;
FIG. 12 is a rear isometric view thereof; and,
FIG. 13 is a top plan view thereof.
The broken line showing of the panel in FIGS. 11, 12 and 13 is included for the purpose of illustrating environmental structure only and forms no part of the claimed design.

[56] **References Cited**

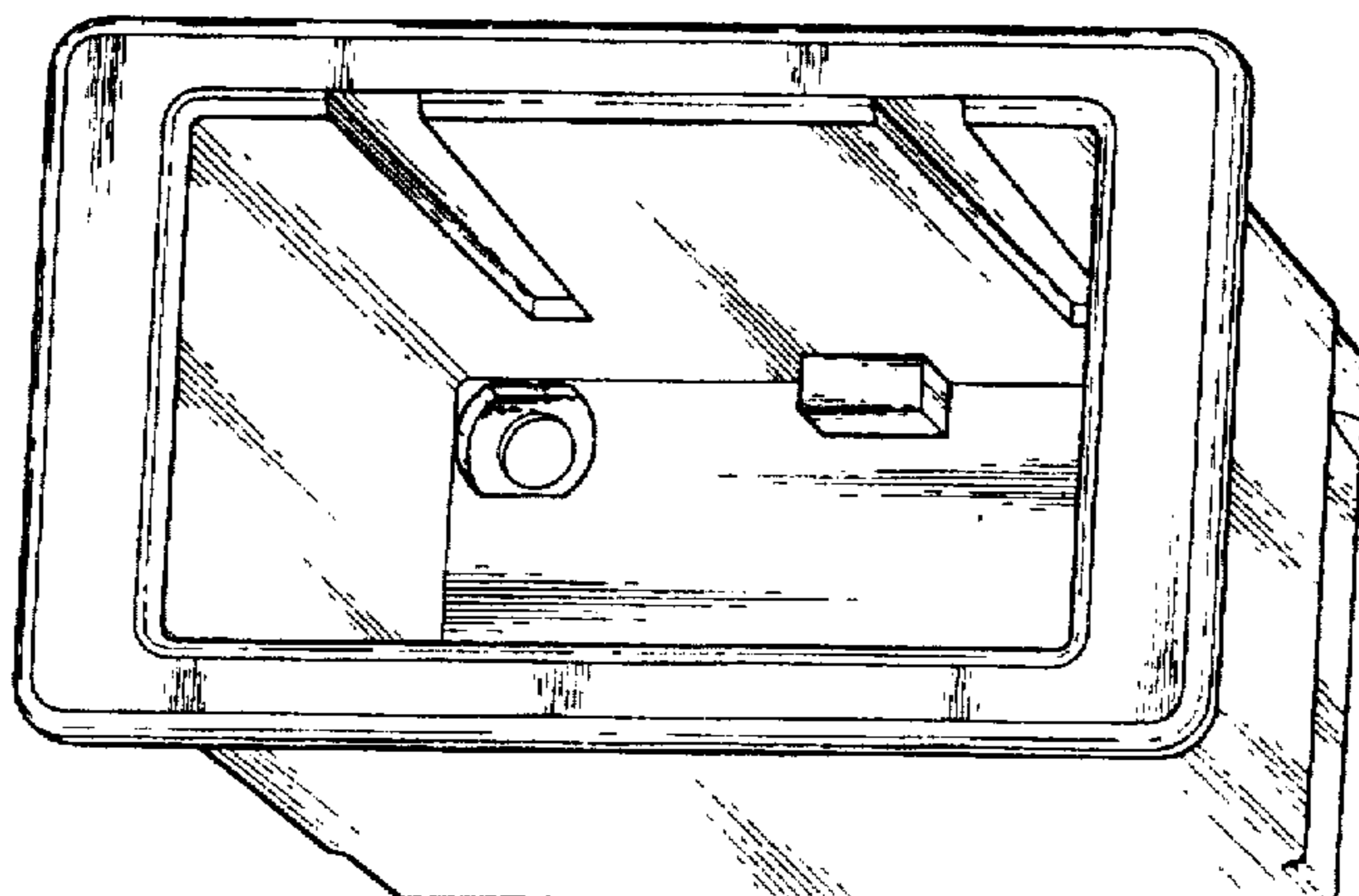
U.S. PATENT DOCUMENTS

D. 356,776	3/1995	Yoshii	D13/103
D. 362,424	9/1995	Sumita et al.	D13/103
2,225,460	12/1940	Porth	136/135
2,266,686	12/1941	Emanuel	136/6
3,644,873	2/1972	Dalton et al.	320/2
4,123,598	10/1978	Hammel	429/159
4,315,364	2/1982	Leffingwell	29/623.1
4,329,406	5/1982	Dahl et al.	429/92
4,530,034	7/1985	Kawarada	362/9
4,576,880	3/1986	Verdier et al.	429/99
4,637,965	1/1987	Davis	429/1
4,737,420	4/1988	Ikeda et al.	429/1
4,943,498	7/1990	Cooper et al.	429/97
4,969,206	11/1990	Desrochers	455/89
4,997,731	3/1991	Machida et al.	429/90
5,039,929	8/1991	Veistroffer et al.	320/2
5,111,128	5/1992	Branan, Jr. et al.	320/2
5,183,714	2/1993	Mitsui et al.	429/123
5,208,116	5/1993	Joh	429/96
5,227,262	7/1993	Ozer	429/98
5,229,701	7/1993	Leman	320/2
5,248,927	9/1993	Takei et al.	320/2
5,415,947	5/1995	Mitsui et al.	429/1
5,465,038	11/1995	Register	320/2

FOREIGN PATENT DOCUMENTS

9112374 2/1992 Germany .

1 Claim, 4 Drawing Sheets



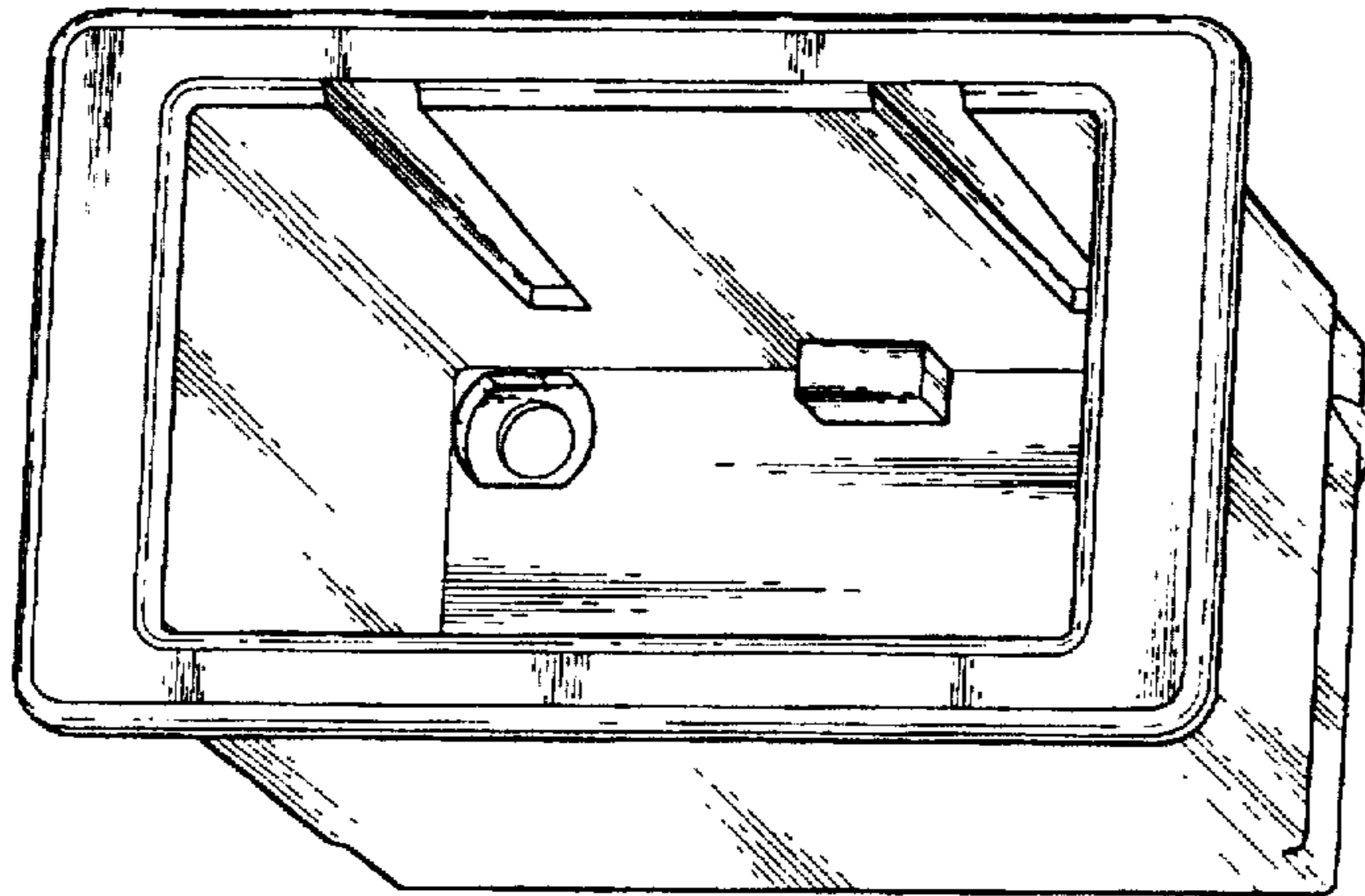


Fig. 1

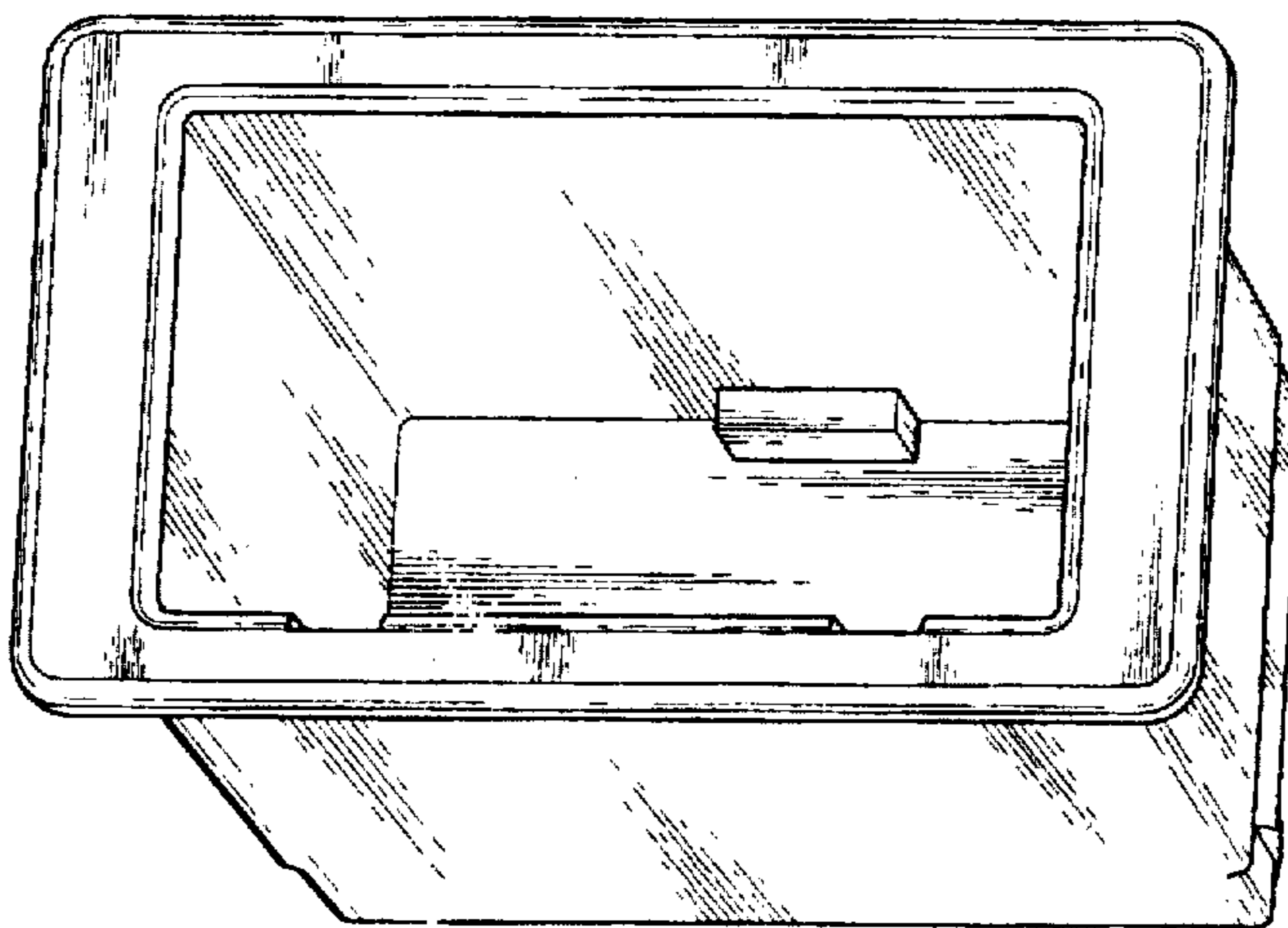


Fig. 2

Fig. 3

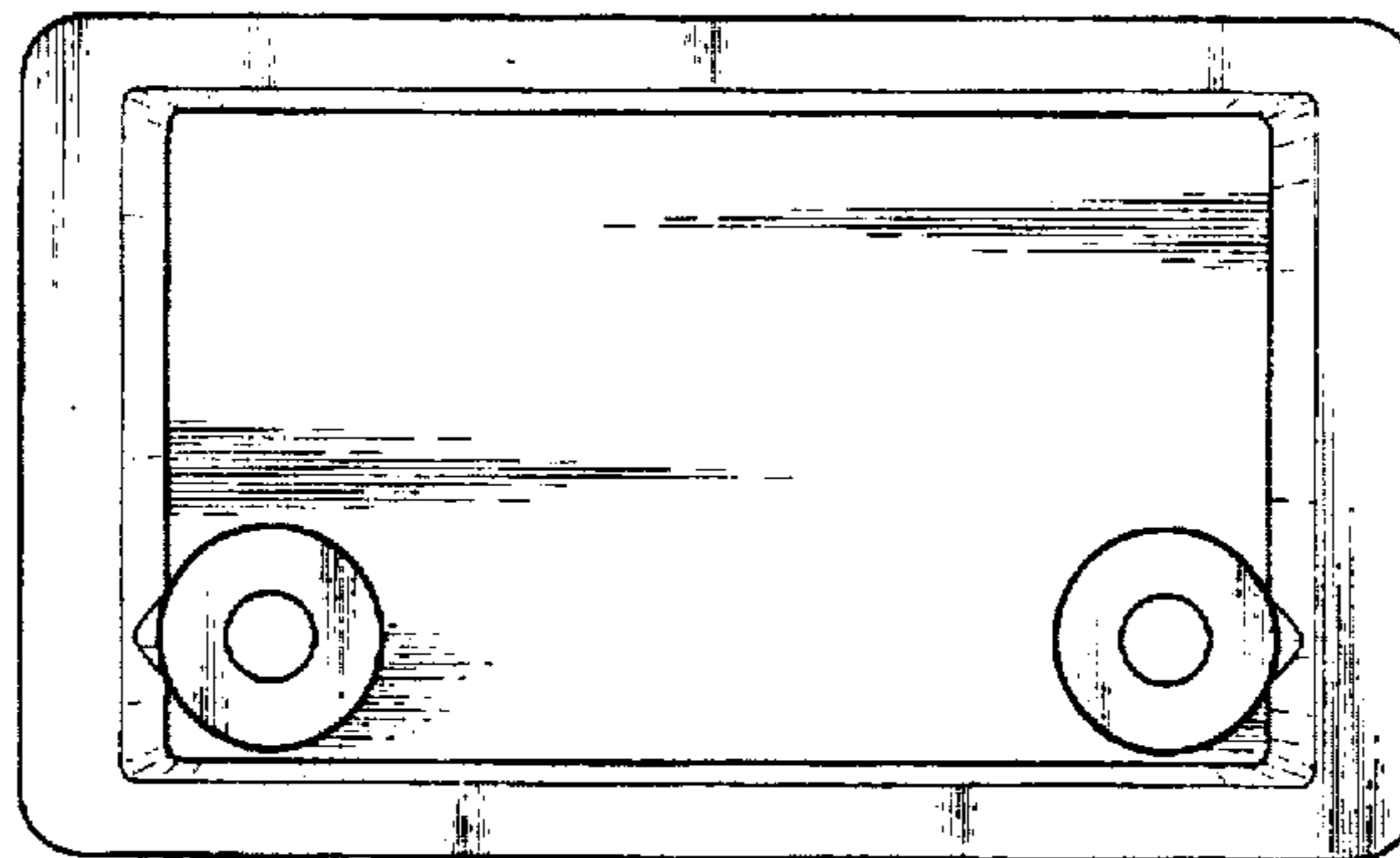
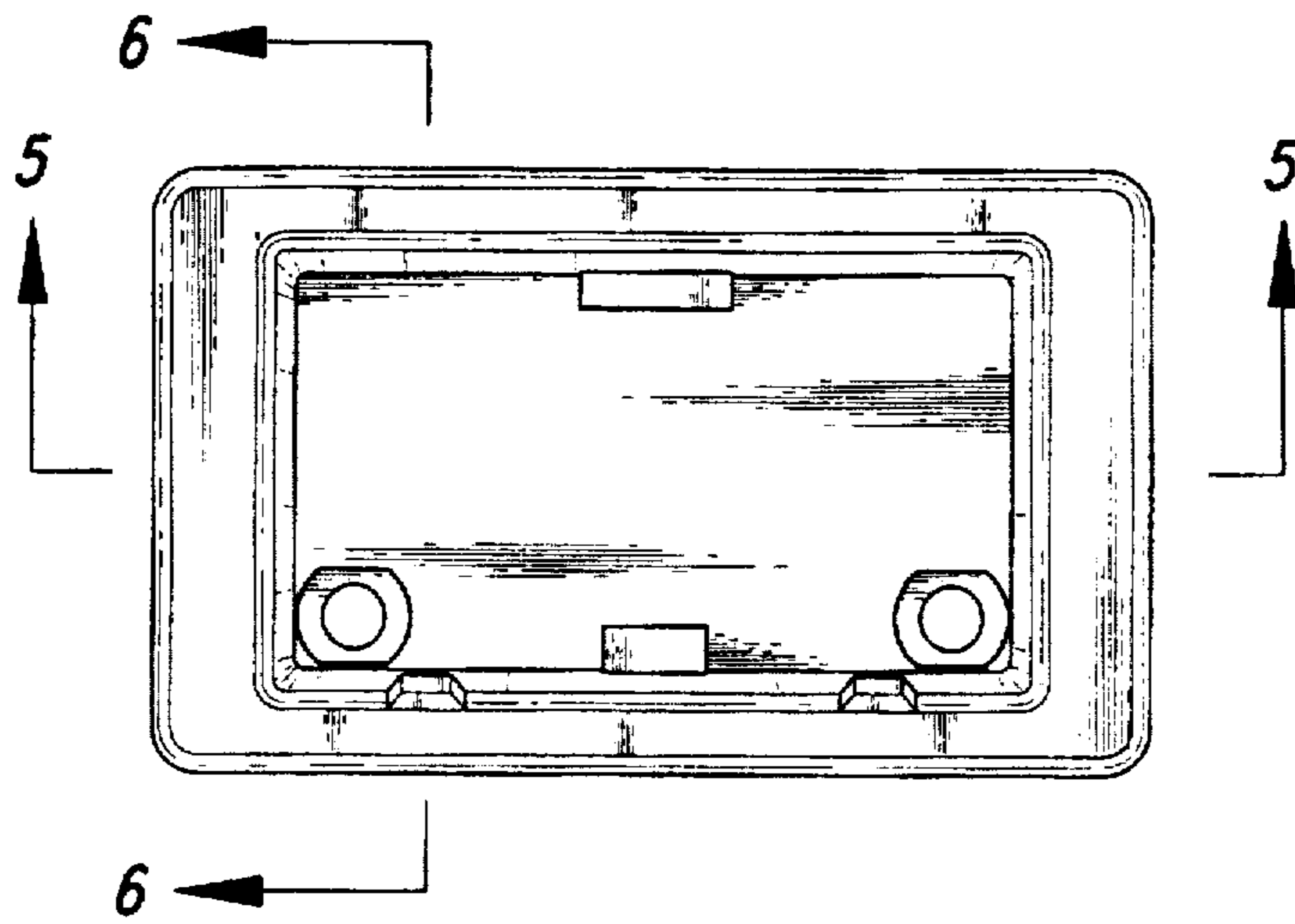


Fig. 4

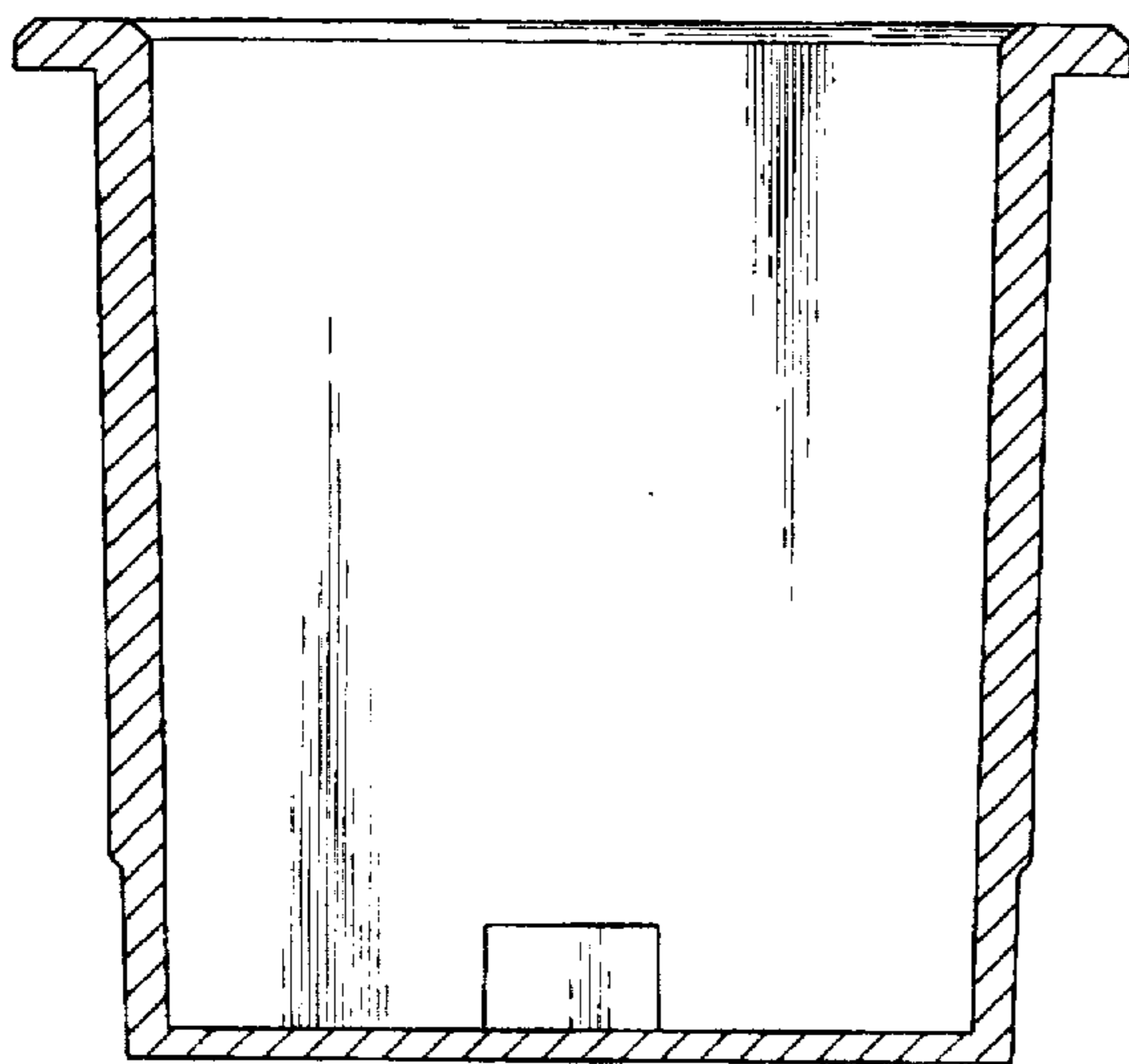


Fig. 5

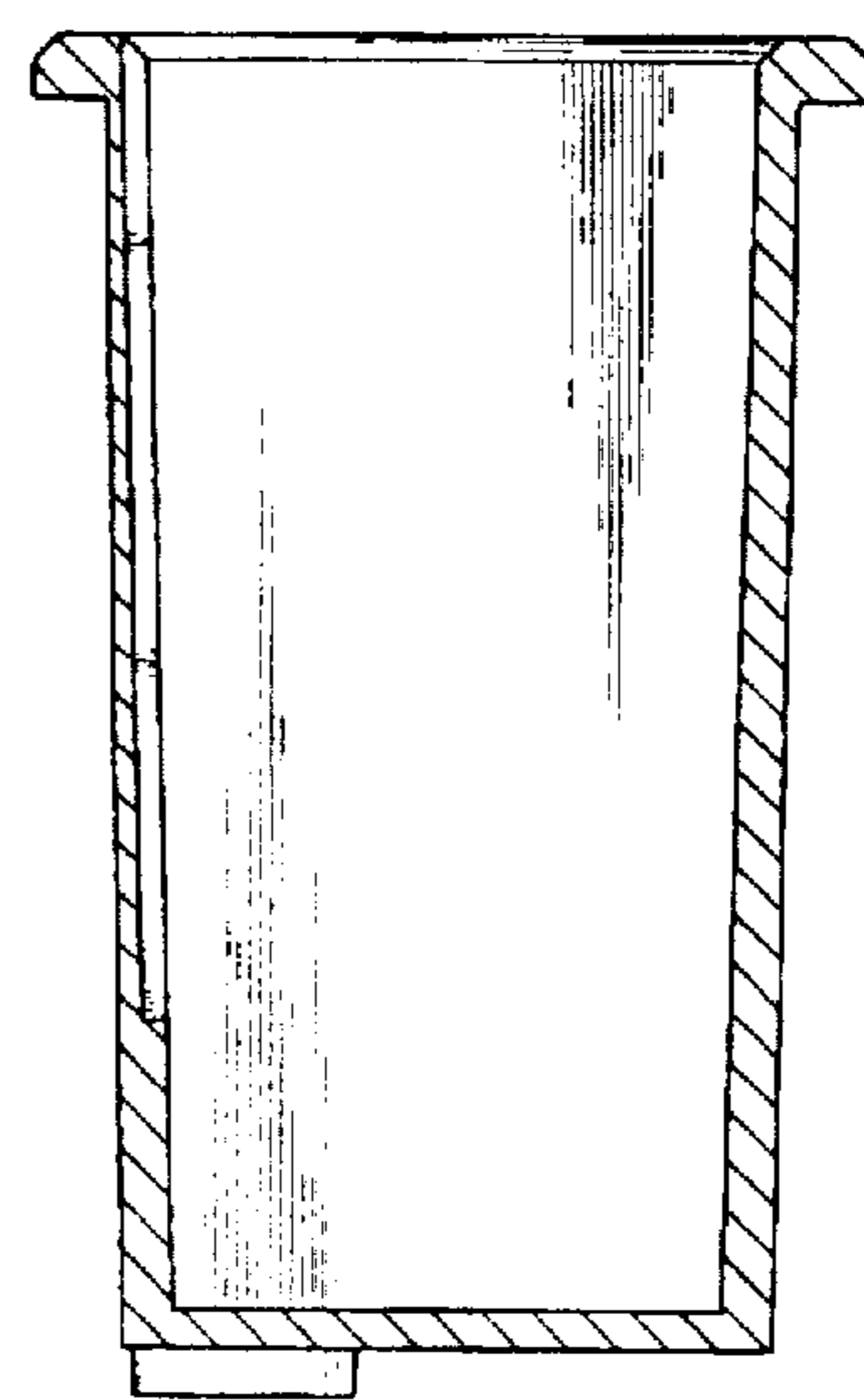


Fig. 6

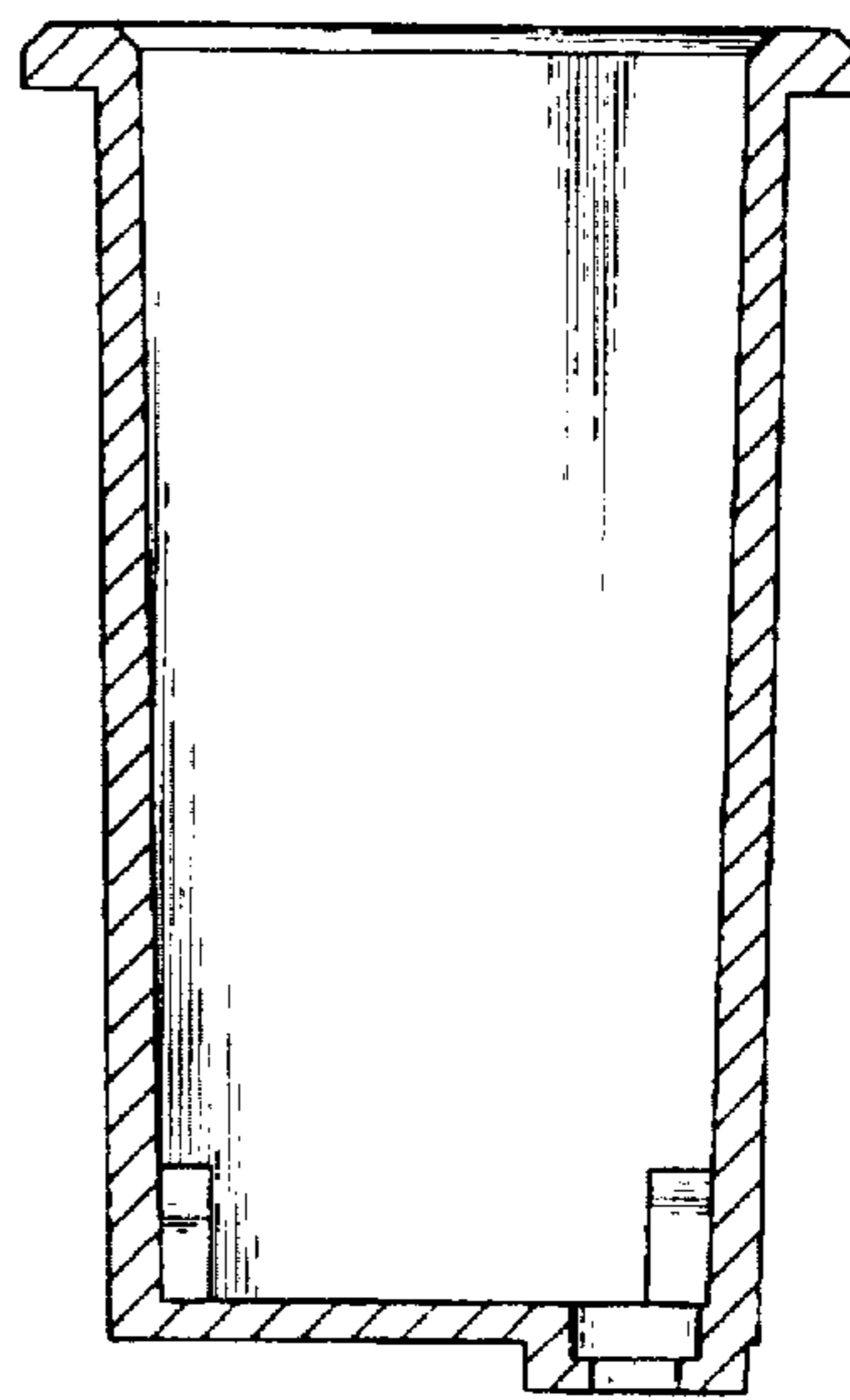
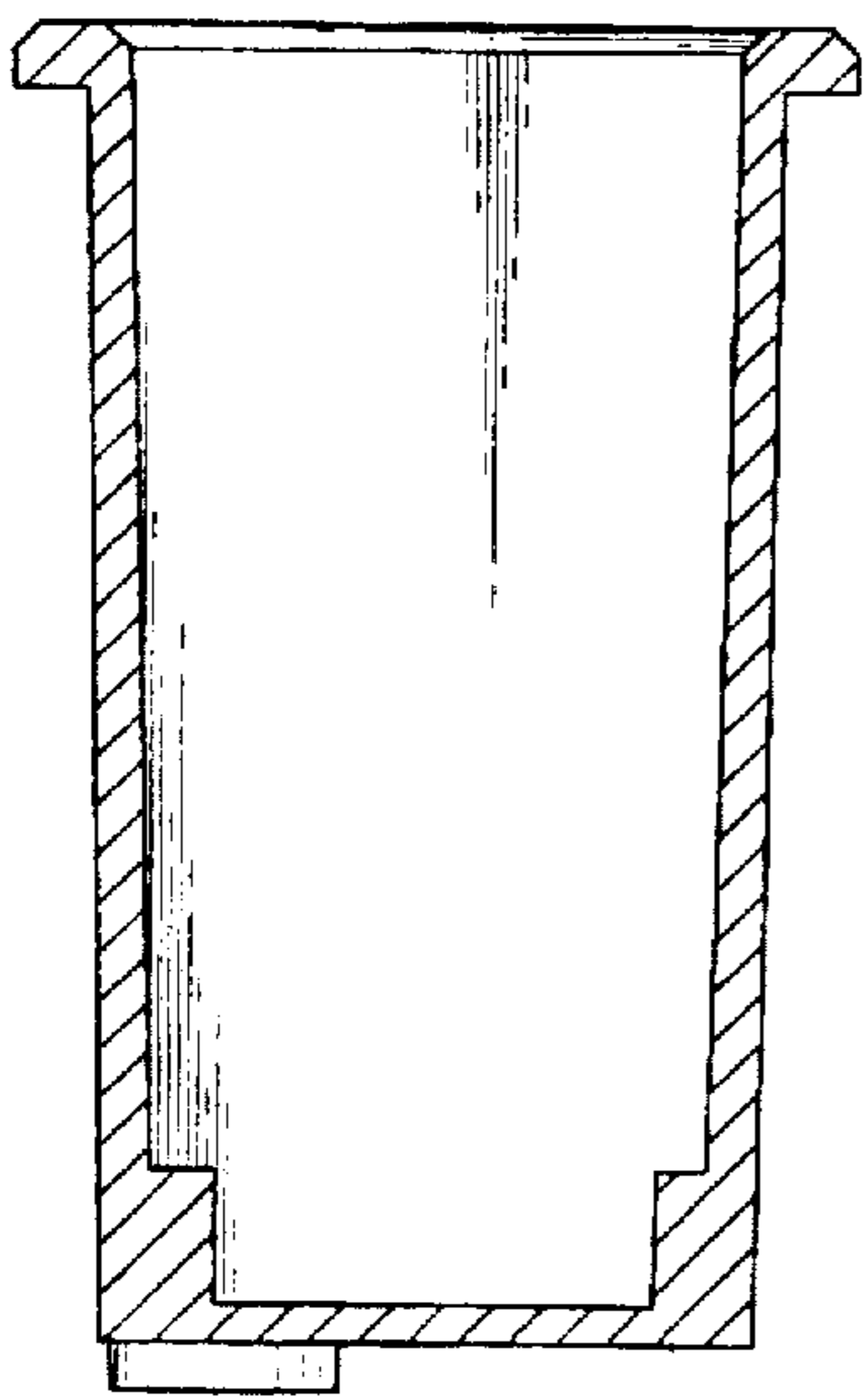
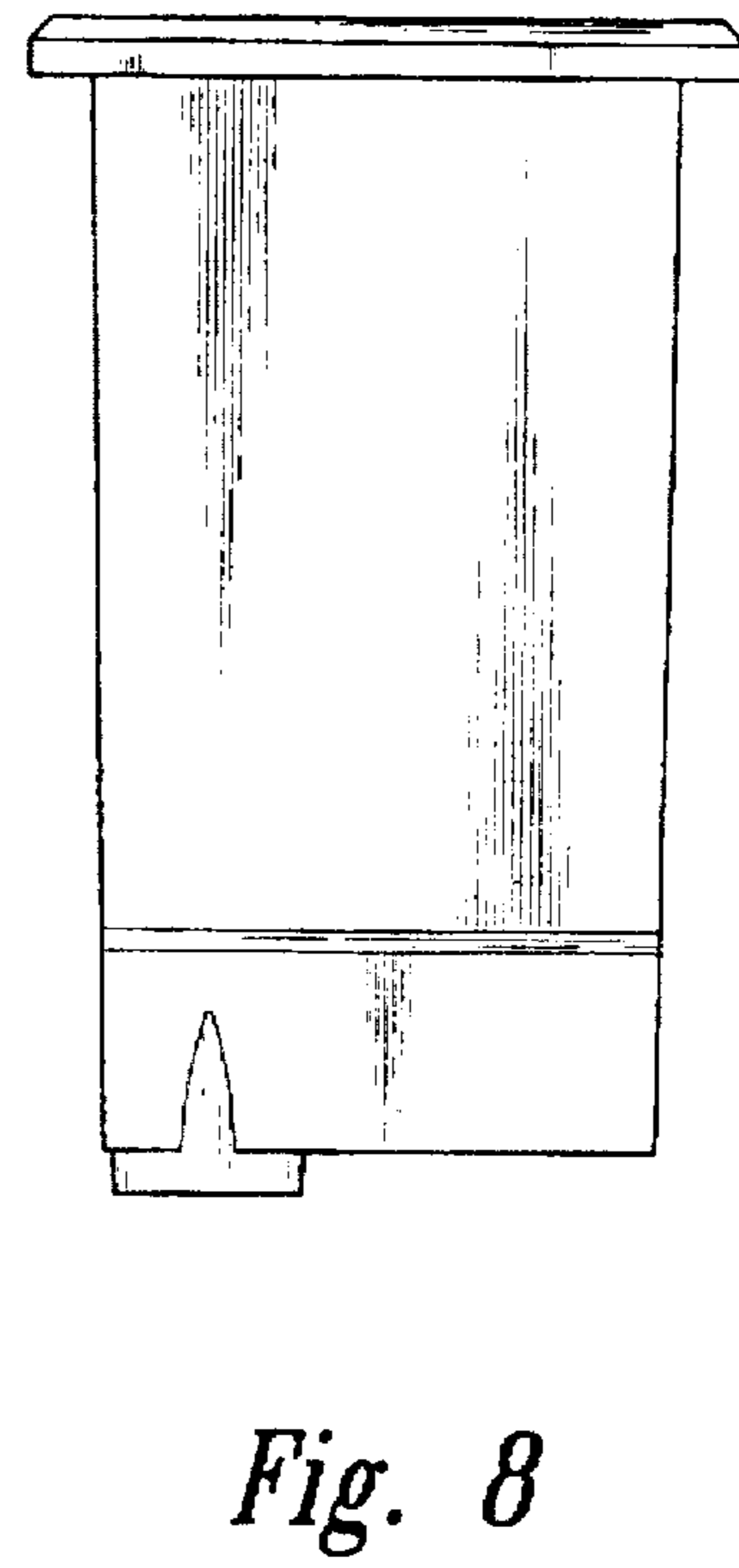
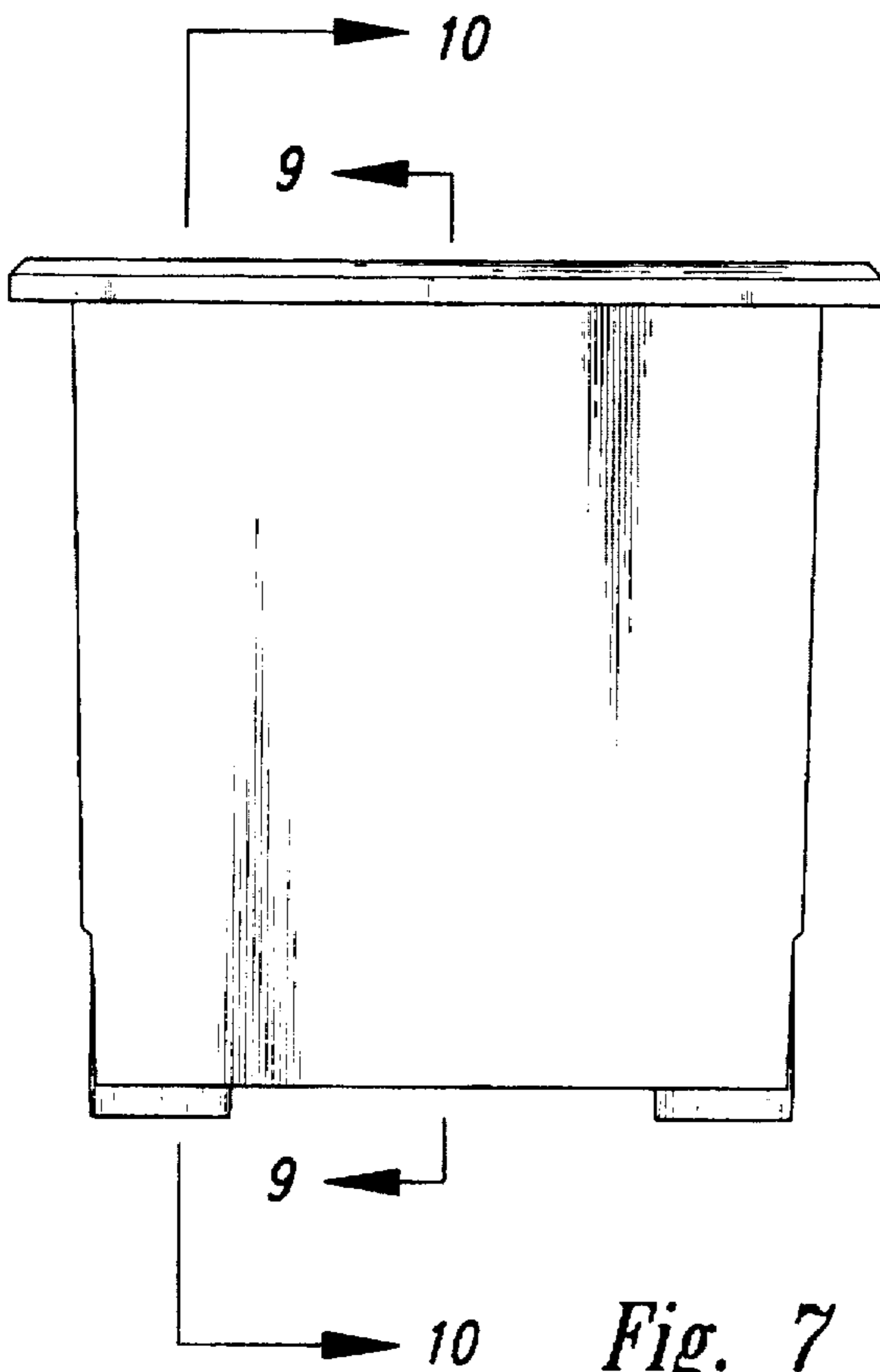


Fig. 11

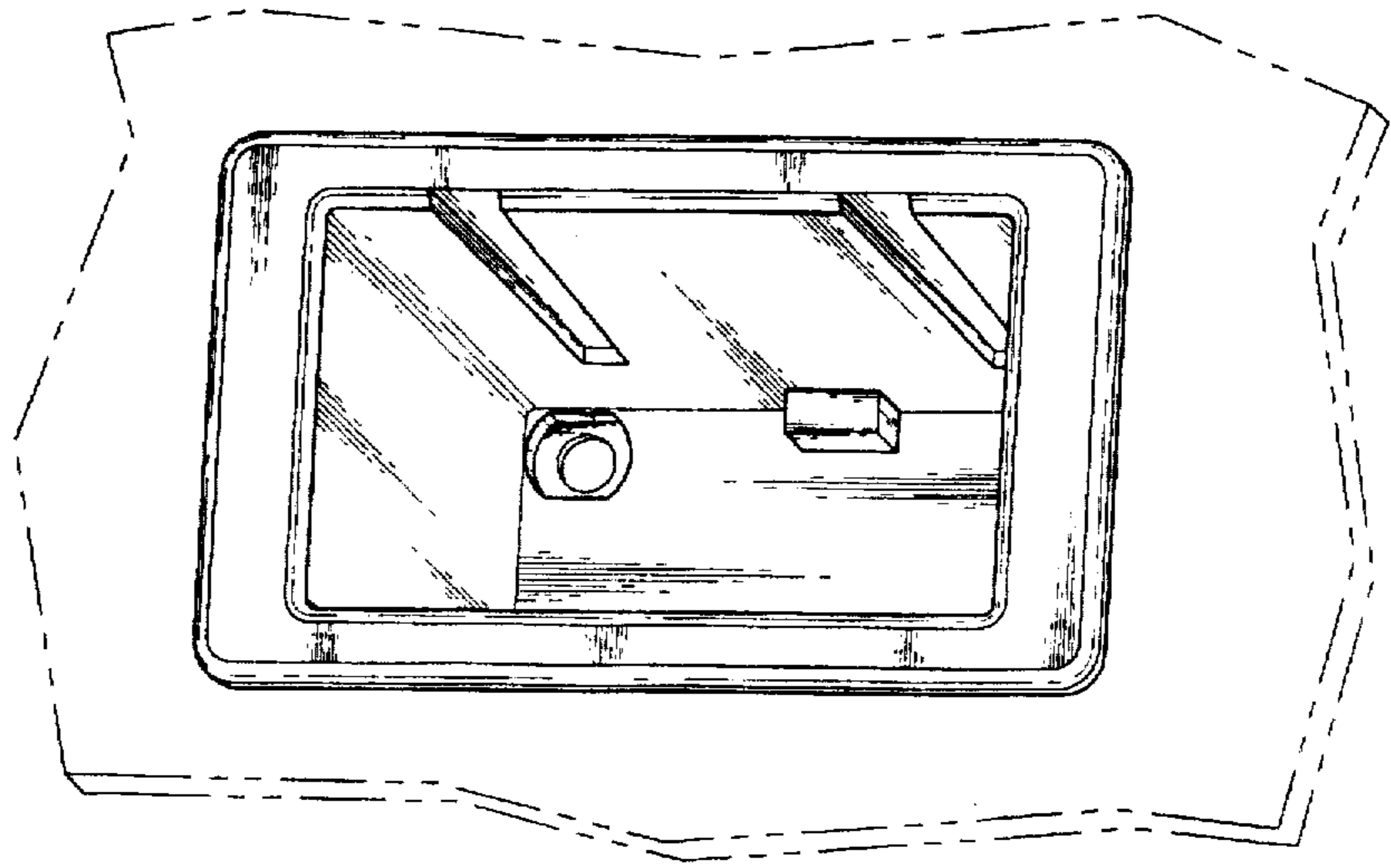


Fig. 12

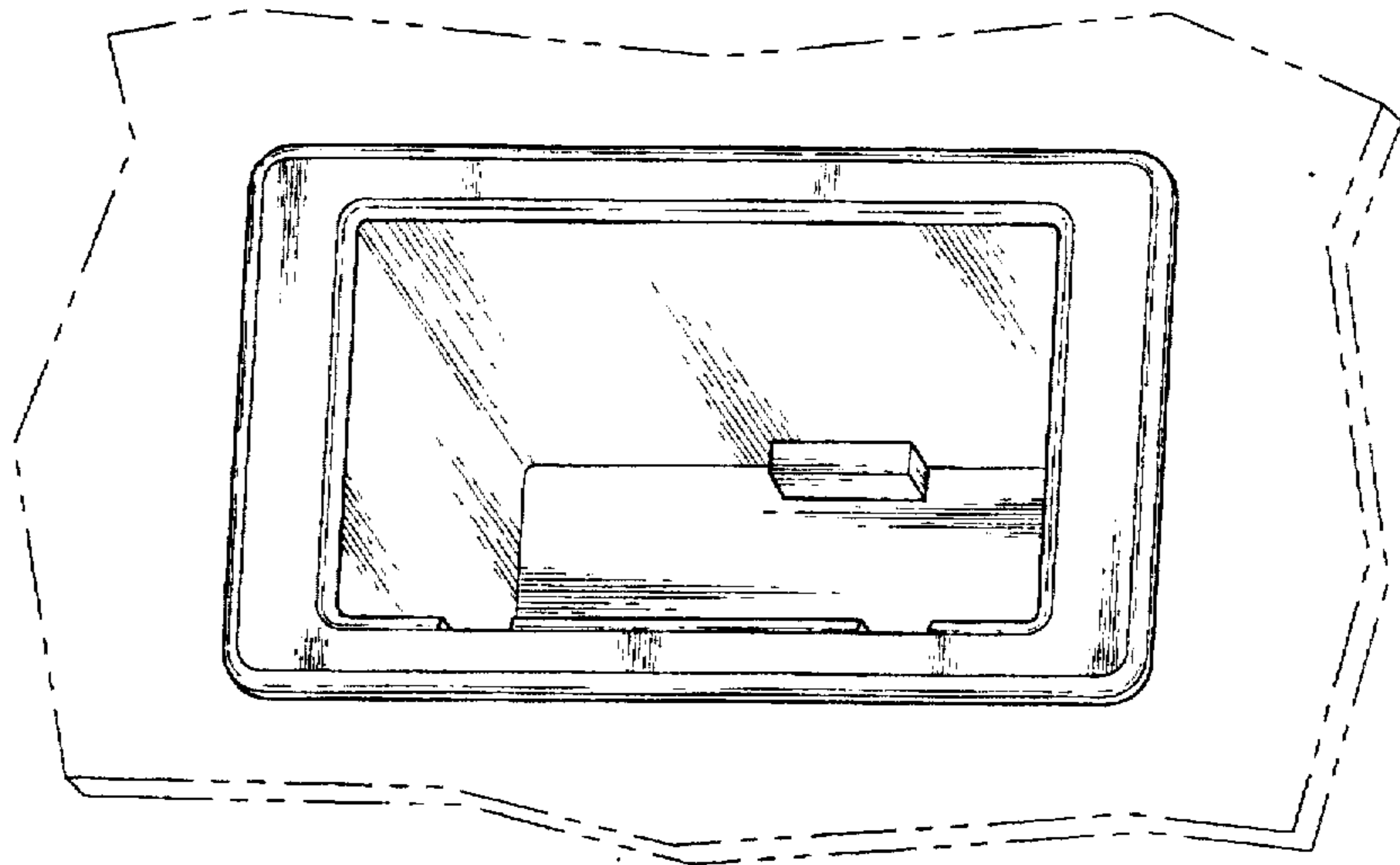


Fig. 13

