



US00D397083S

United States Patent [19] Smith

[11] Patent Number: **Des. 397,083**

[45] Date of Patent: ****Aug. 18, 1998**

[54] **CONSOLE FOR VAN VEHICLES**

[75] Inventor: **Daniel G. Smith**, Grand Prairie, Tex.

[73] Assignee: **Texas Saddlebags, Inc.**, Arlington, Tex.

[**] Term: **14 Years**

[21] Appl. No.: **75,470**

[22] Filed: **Aug. 21, 1997**

[51] **LOC (6) Cl.** **12-16**

[52] **U.S. Cl.** **D12/419; D12/424**

[58] **Field of Search** **D12/419-421, D12/425, 415-418; D7/619-620, 701, 708-707; D9/434, 455; 108/43, 44, 46, 132, 146, 157; 296/37.1-37.8, 37.12-37.16; 248/311.1-311.3; 224/42.11, 42.42, 311, 318, 275-276, 539-543, 926, 928, 406, 515-520**

[56] **References Cited**

U.S. PATENT DOCUMENTS

D. 218,438	8/1970	Shook	D12/419
D. 271,634	12/1983	Rockwell	D12/419
D. 316,183	4/1991	Pax	D12/419
D. 346,066	4/1994	Smith	D12/416
D. 352,495	11/1994	Mawhinney	D12/419

D. 359,266	6/1995	Karp et al.	D12/419
D. 368,890	4/1996	Morris	D12/419
D. 375,480	11/1996	Smith	D12/419
D. 375,931	11/1996	Ferrigan	D12/419

Primary Examiner—James Gandy
Assistant Examiner—Stacia Sinuik
Attorney, Agent, or Firm—Daniel Rubin

[57] **CLAIM**

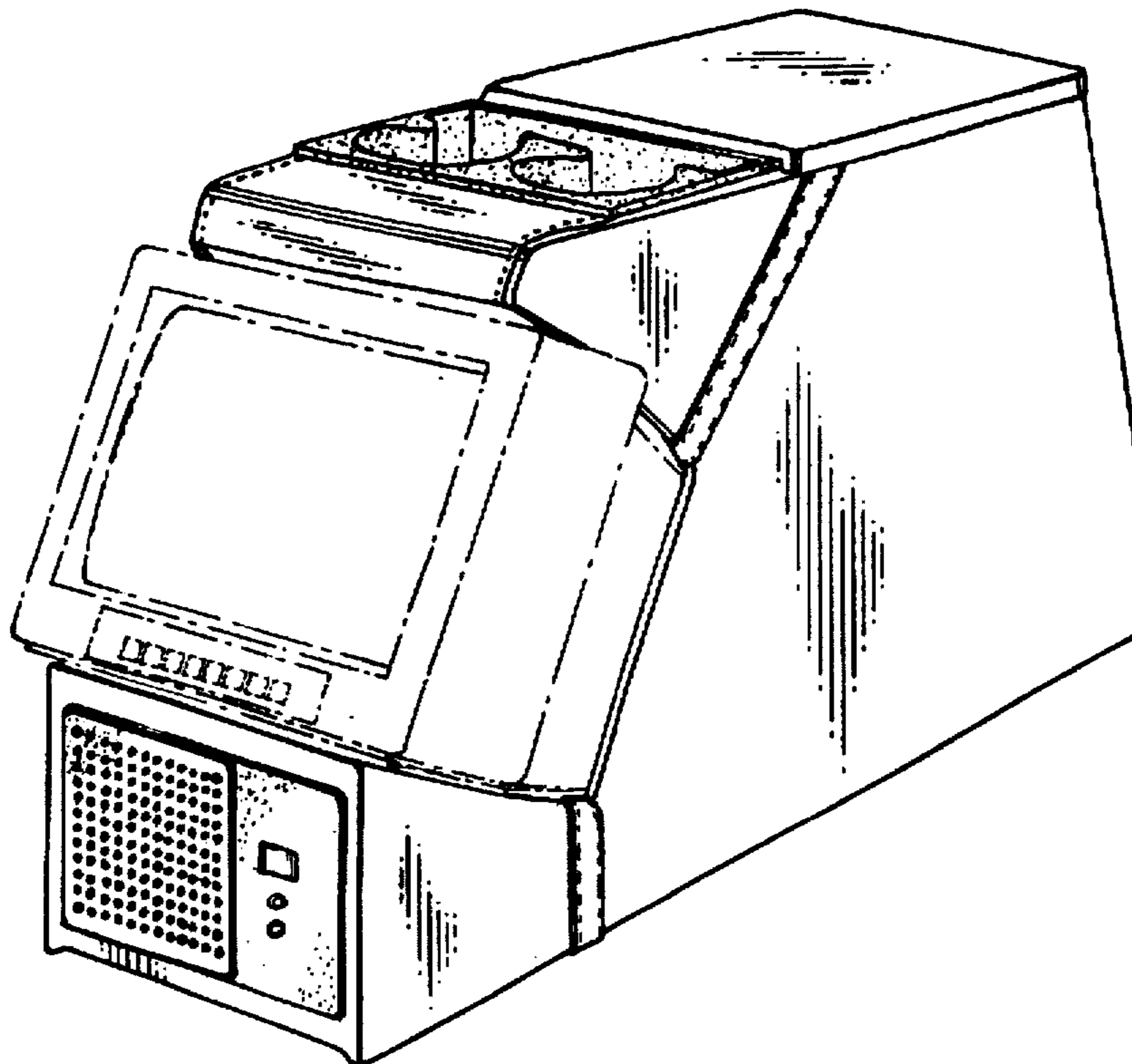
The ornamental design of a console for van vehicles, as shown and described.

DESCRIPTION

FIG. 1 is a side front perspective view of the console for van vehicles hereof showing my new design; FIG. 2 is a side rear perspective view thereof; FIG. 3 is a top plan view thereof; FIG. 4 is a left side elevational view thereof; FIG. 5 is a bottom view thereof; and, FIG. 6 is top plan view of thereof with the top lid shown in open condition.

The broken line showing of environment is for illustrative purposes only and forms no part of the claimed design. The dashed lines on the console in FIGS. 1, 2 and 4 are understood to represent stitching.

1 Claim, 3 Drawing Sheets



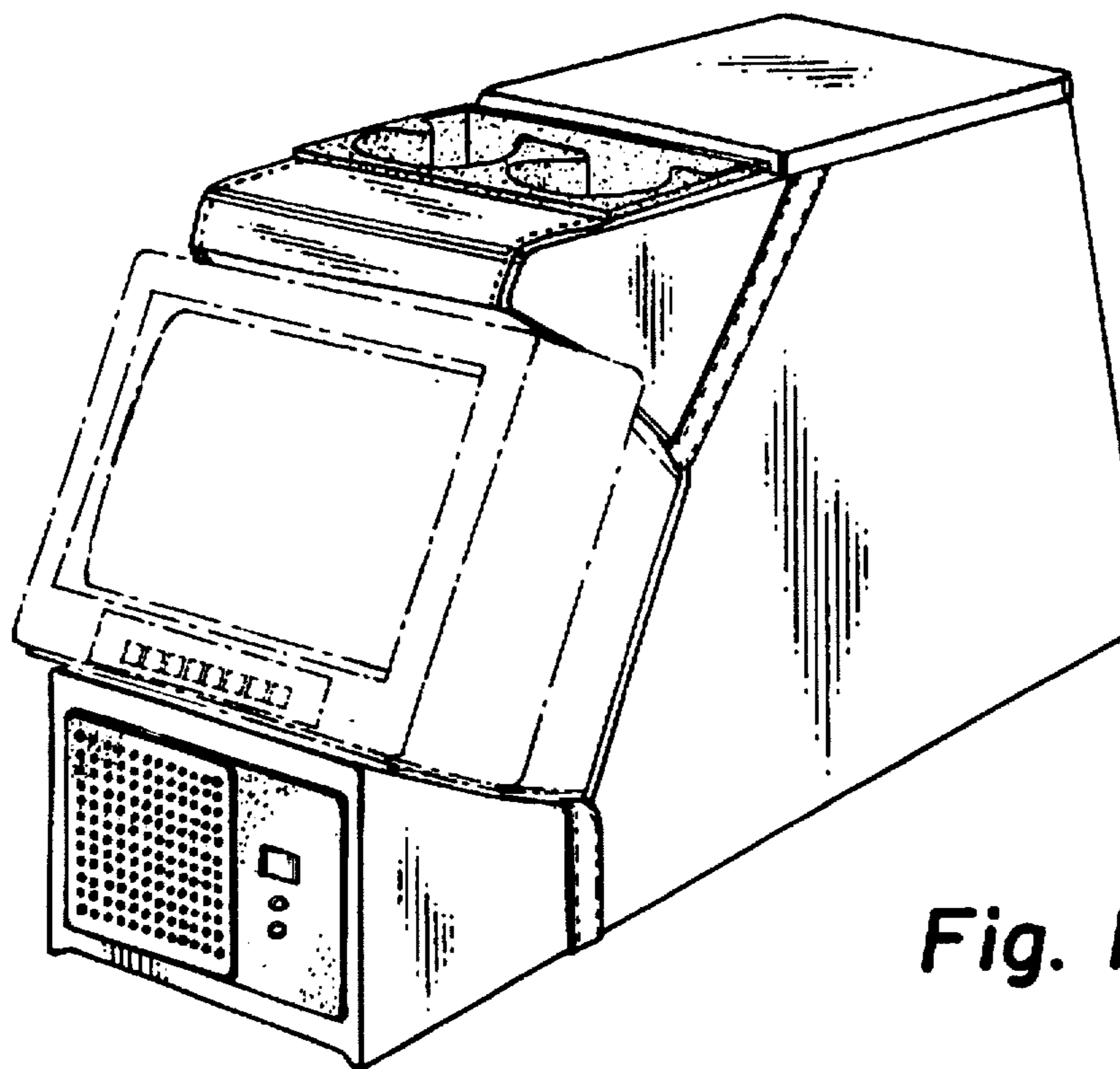


Fig. 1

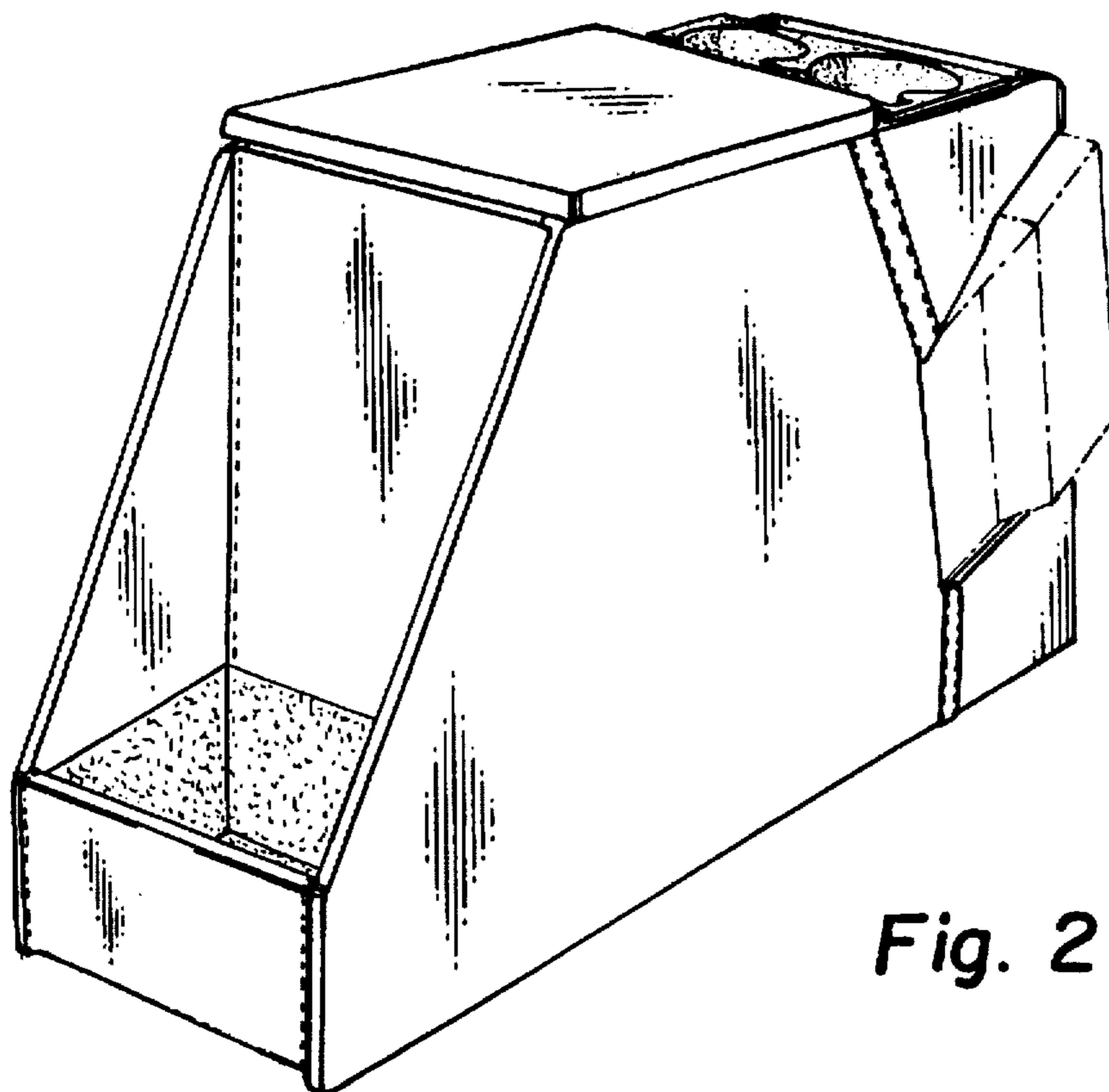


Fig. 2

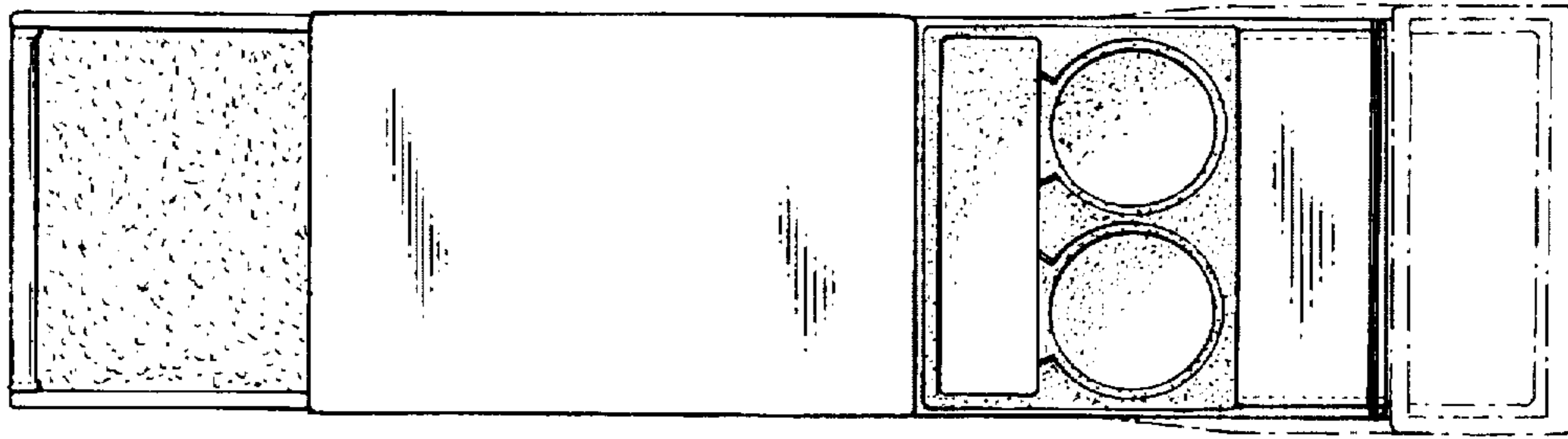


Fig. 3

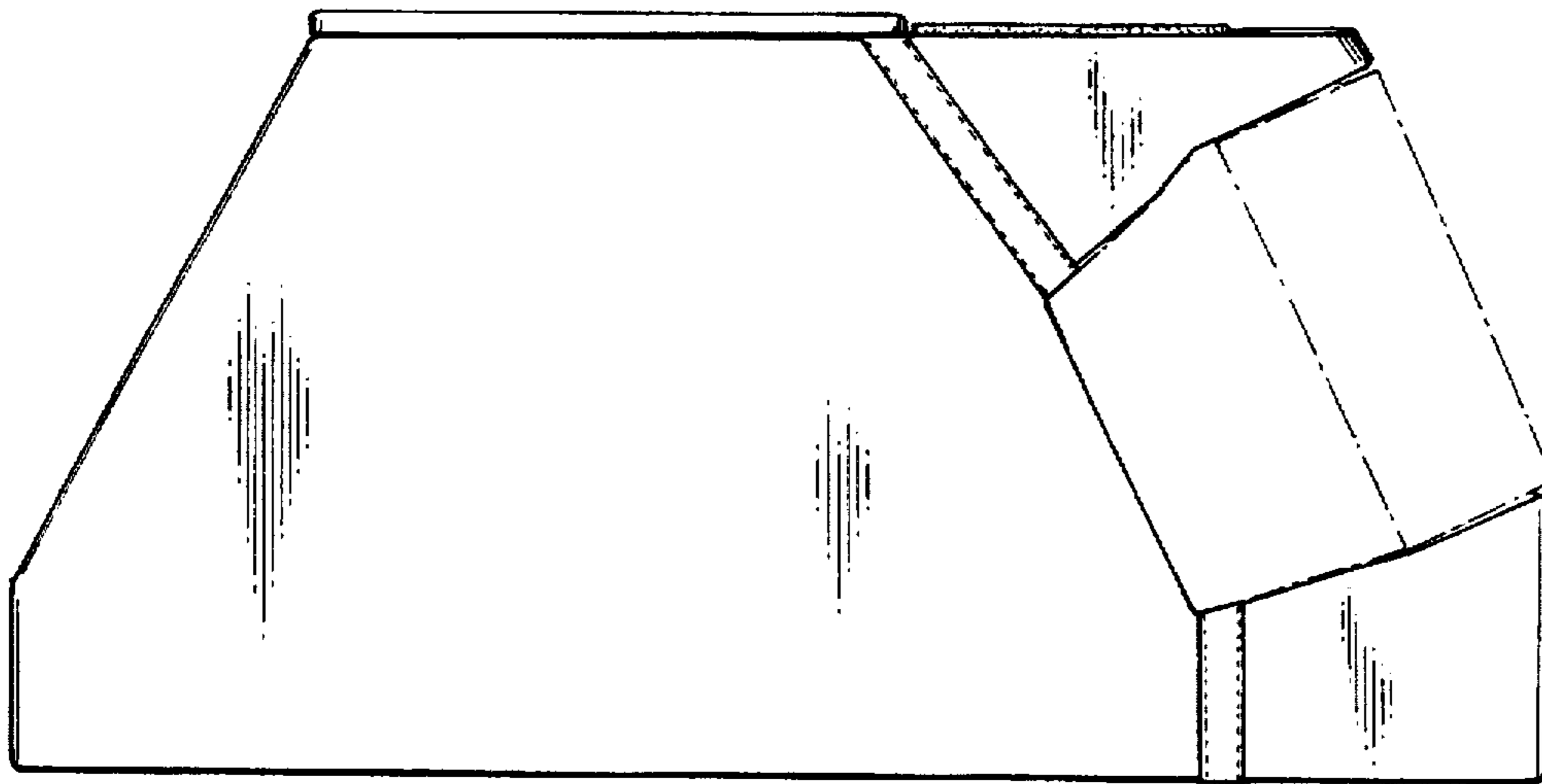


Fig. 4

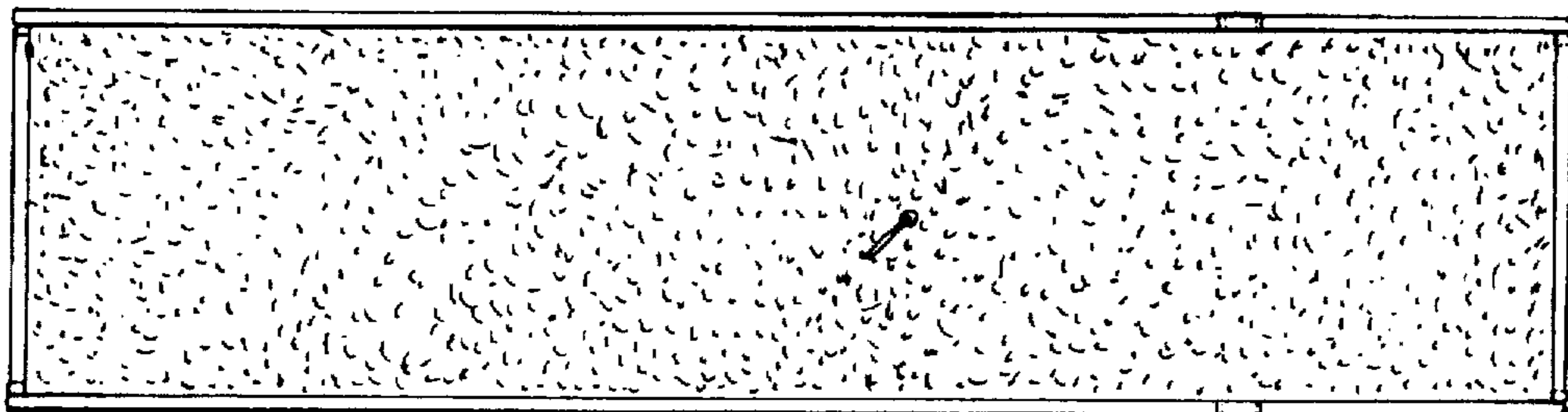


Fig. 5

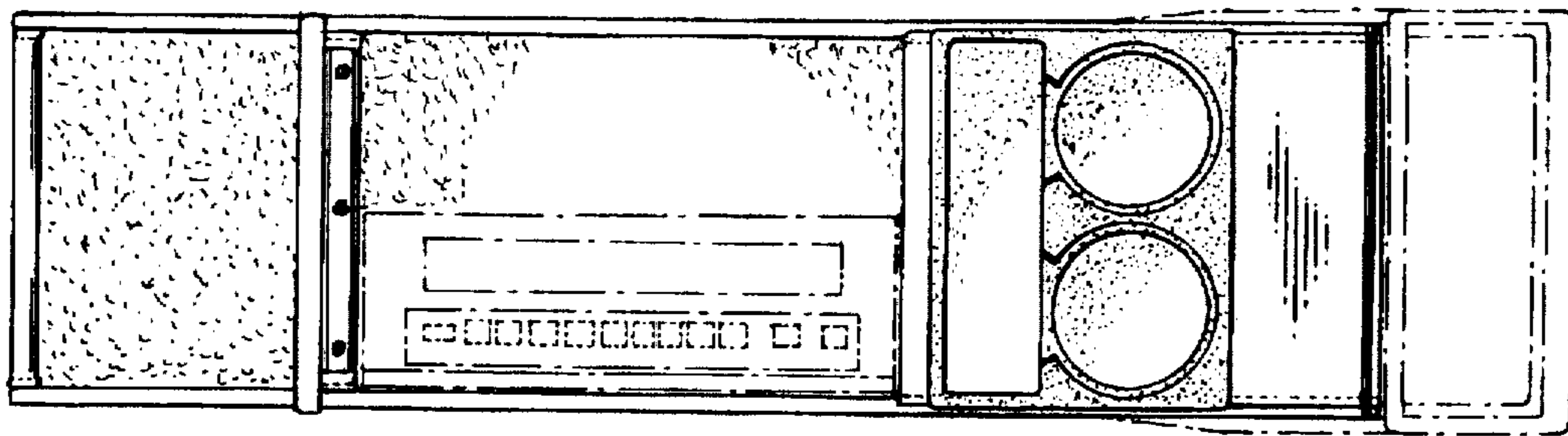


Fig. 6