



US00D397081S

# United States Patent [19]

Arvilla

[11] Patent Number: Des. 397,081

[45] Date of Patent: \*\*Aug. 18, 1998

[54] BOAT CAP

[76] Inventor: Joel W. Arvilla, 6203 James La.,  
Naples, Fla. 33942

[\*\*] Term: 14 Years

[21] Appl. No.: 78,627

[22] Filed: Oct. 30, 1997

[51] LOC (6) Cl. .... 12-06

[52] U.S. Cl. .... D12/318; D12/315

[58] Field of Search ..... D12/300-318;  
114/363, 364, 288-292, 343

### [56] References Cited

#### U.S. PATENT DOCUMENTS

- D. 242,848 12/1976 Morrison et al. .... D12/315
- D. 259,480 6/1981 Bednar ..... D12/318
- D. 331,564 12/1992 Scarboro ..... D12/318

Primary Examiner—Kay H. Chin  
Attorney, Agent, or Firm—Gifford, Krass, Groh, Sprinkle,  
Patmore, Anderson & Citkowski, P.C.

### [57] CLAIM

The ornamental design for a boat cap, as shown and described.

### DESCRIPTION

FIG. 1 is a bottom plan view of a boat cap showing my new design;

FIG. 2 is a top plan view thereof;

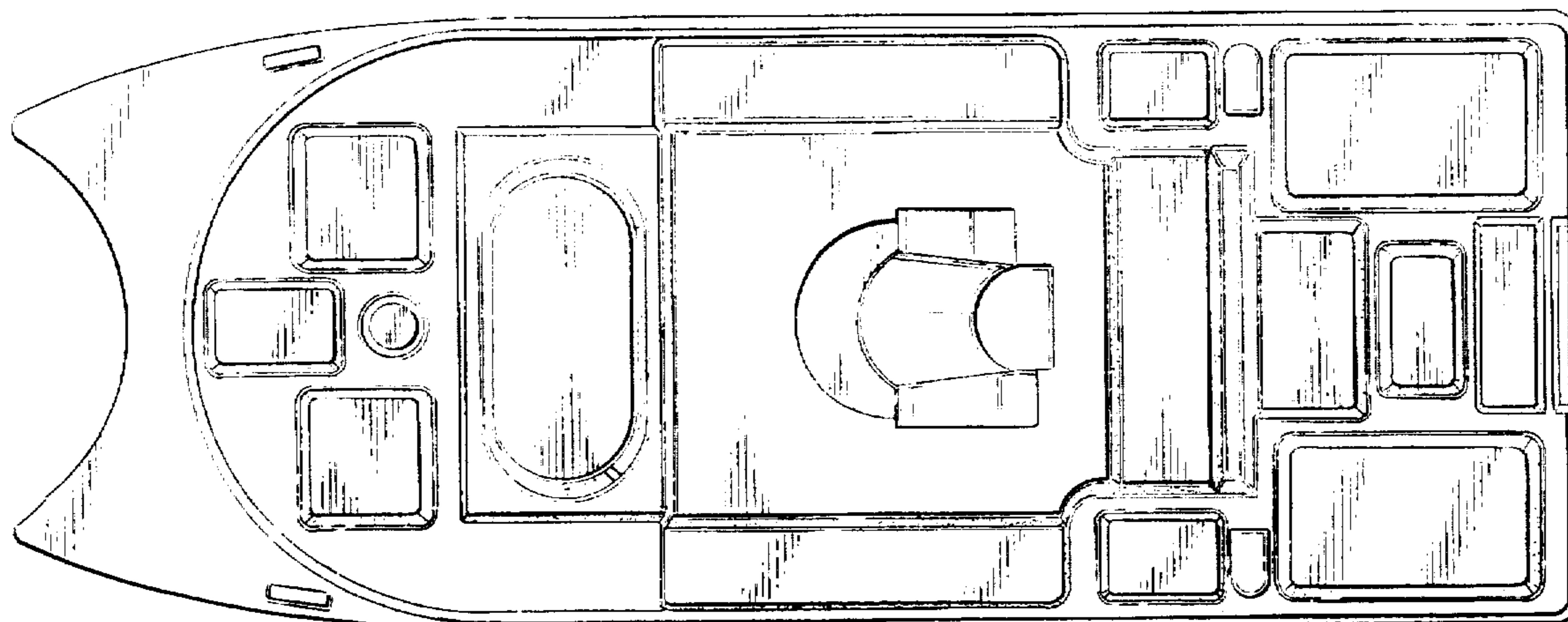
FIG. 3 is a front view thereof;

FIG. 4 is a rear view thereof; and,

FIG. 5 is a side elevational view thereof, the opposite side view being a mirror image of that shown.

The broken lines shown in FIGS. 3 through 5 are for illustrative purposes only and form no part of the claimed design.

1 Claim, 3 Drawing Sheets



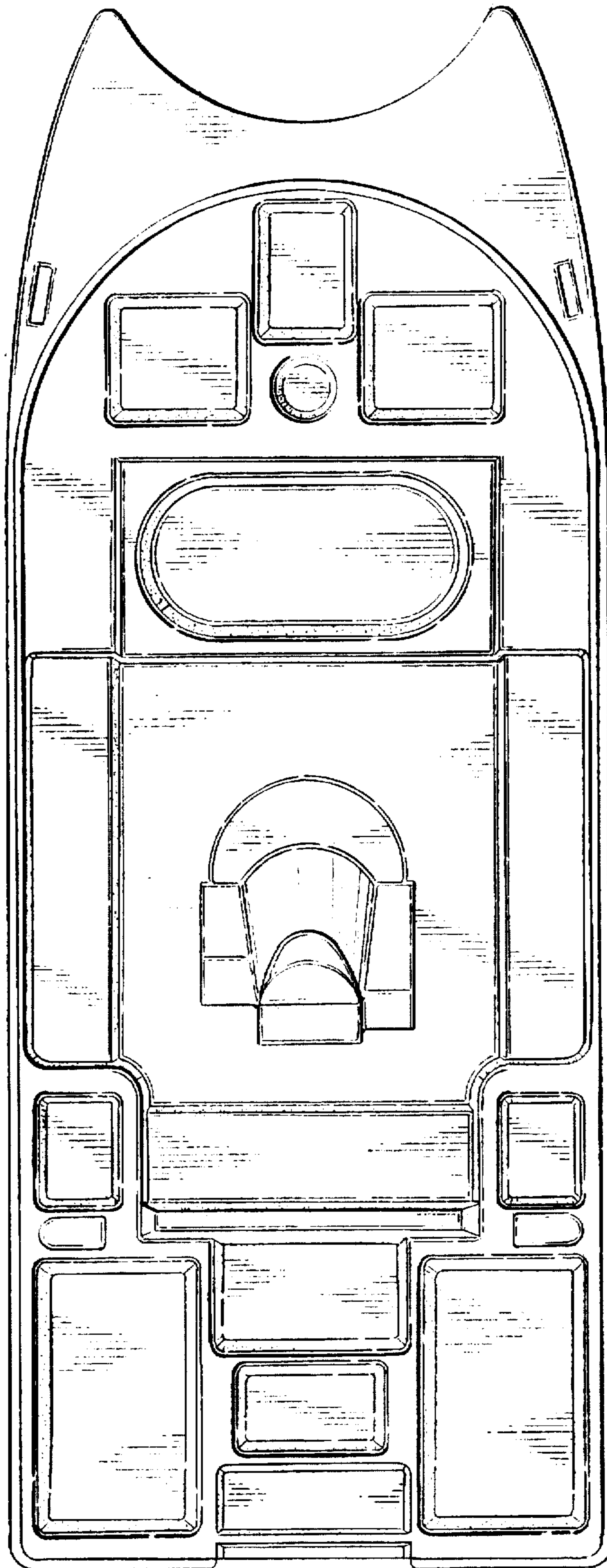
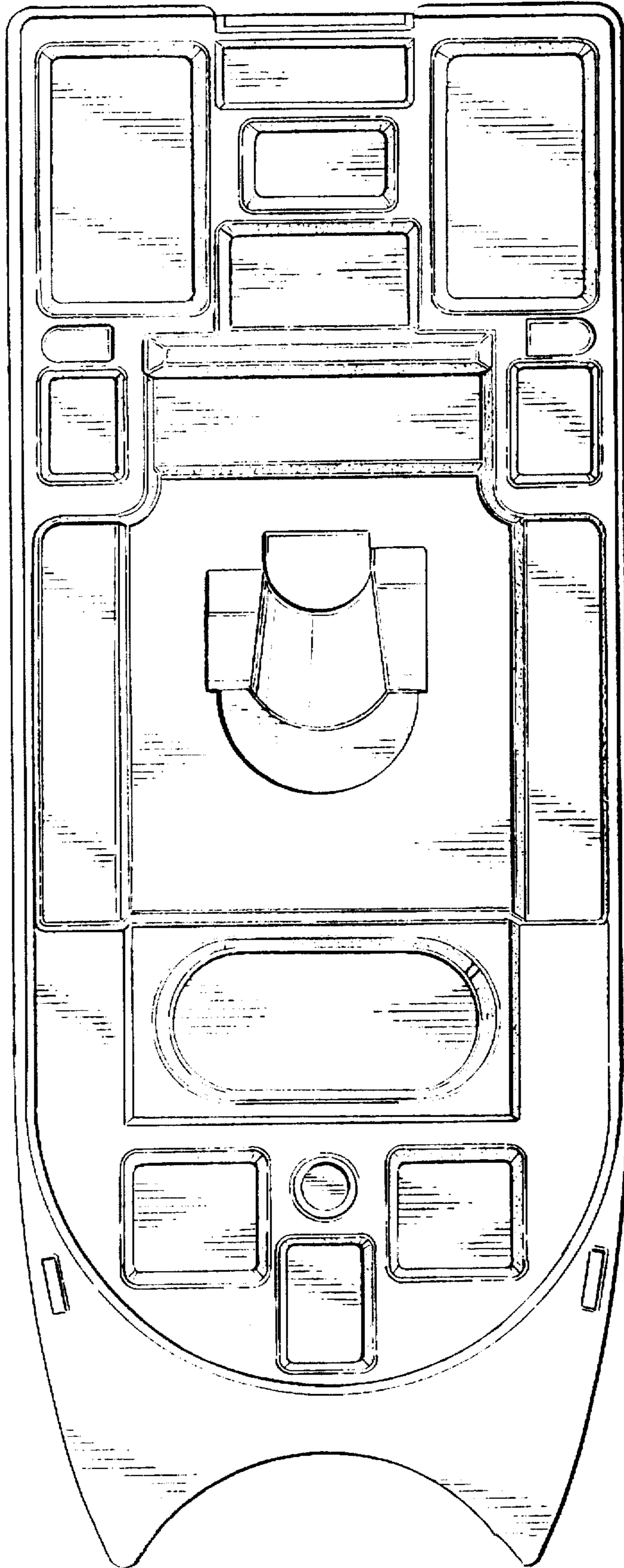


FIG-1

FIG-2



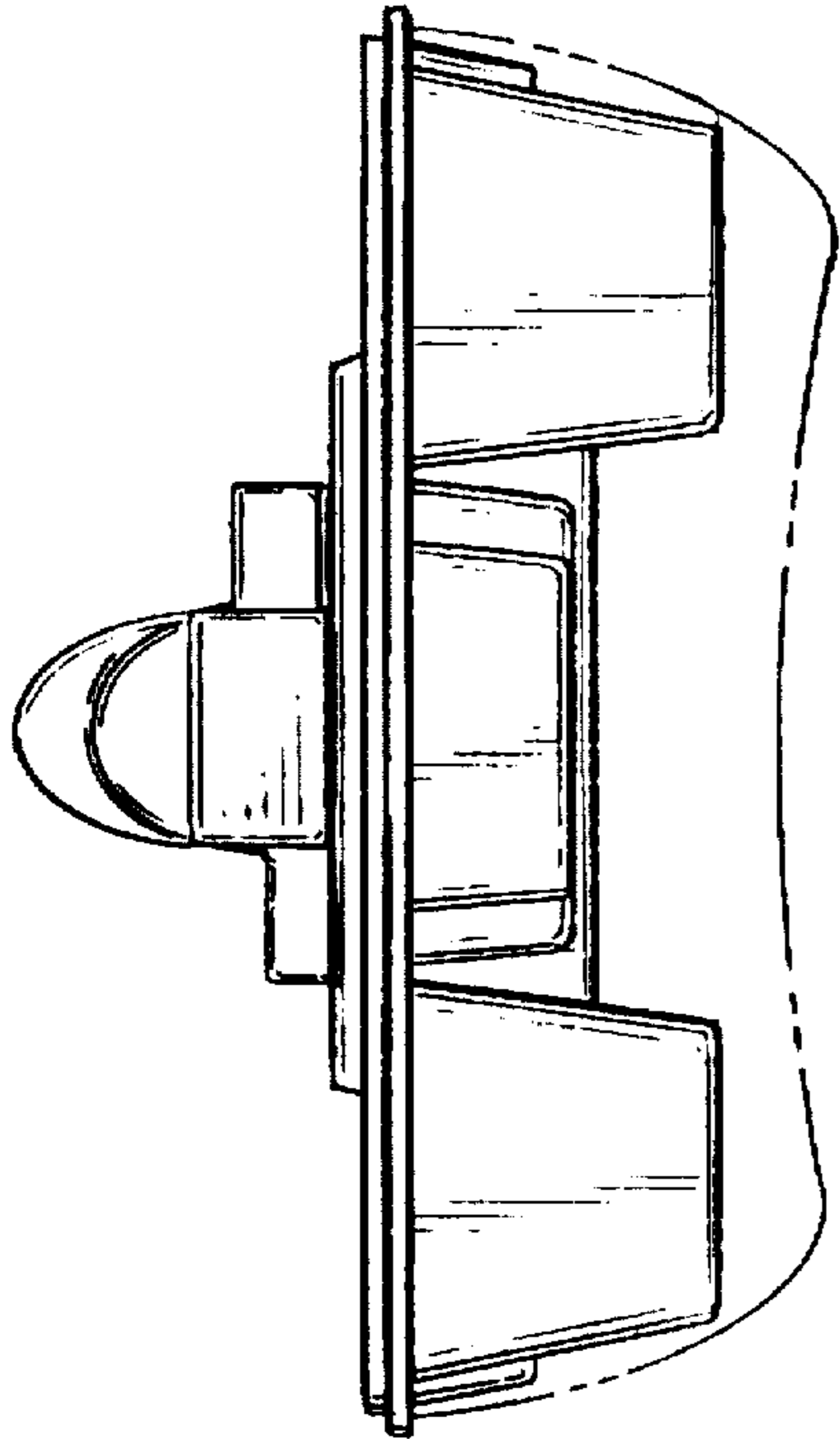


FIG - 3

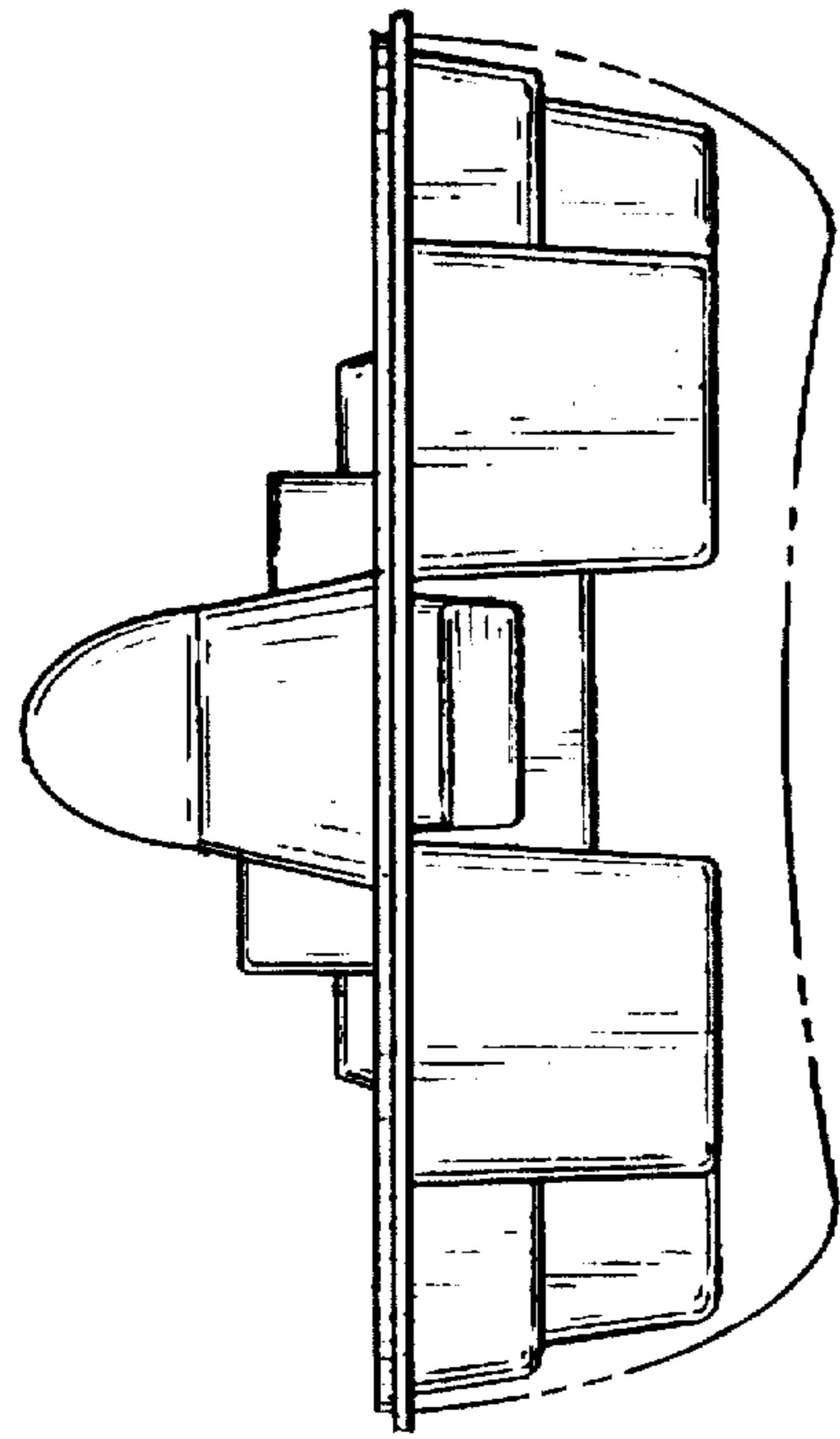


FIG - 4

FIG - 5

