



US00D397073S

United States Patent [19]
Kui

[11] **Patent Number: Des. 397,073**

[45] **Date of Patent: **Aug. 18, 1998**

[54] **VISOR MIRROR WITH NOTEPAD AND PEN**

[76] **Inventor: Tong Wing Kui, c/o Chi Kuan
Manufactory Limited, Flat A, 9/F, Chi
Wan Industrial Building, 1-7 Kin Hon
Street, Kwai Chung, Kowloon, Hong
Kong**

[**] **Term: 14 Years**

[21] **Appl. No.: 63,733**

[22] **Filed: Dec. 13, 1996**

[30] **Foreign Application Priority Data**

Sep. 3, 1996 [GB] United Kingdom 2058984

[51] **LOC (6) Cl. 12-16**

[52] **U.S. Cl. D12/191**

[58] **Field of Search D12/191, 417;
D6/308; D19/78; 296/97.1, 97.2, 97.5;
359/838, 843-844, 849-850, 860, 862,
866, 868, 881**

[56] **References Cited**

U.S. PATENT DOCUMENTS

D. 168,707 1/1953 Pavenick D12/191
D. 218,214 7/1970 Goldman D12/191
D. 278,996 5/1985 Cheung D12/191
D. 320,778 10/1991 Palett D12/191
D. 325,554 4/1992 Min-Jenn D12/191

D. 353,356 12/1994 Tong D12/191
D. 365,074 12/1995 Tong D12/191
3,016,262 1/1962 Hunt D12/191 X

*Primary Examiner—James Gandy
Assistant Examiner—Stacia Sinuik
Attorney, Agent, or Firm—Volpe and Koenig, P.C.*

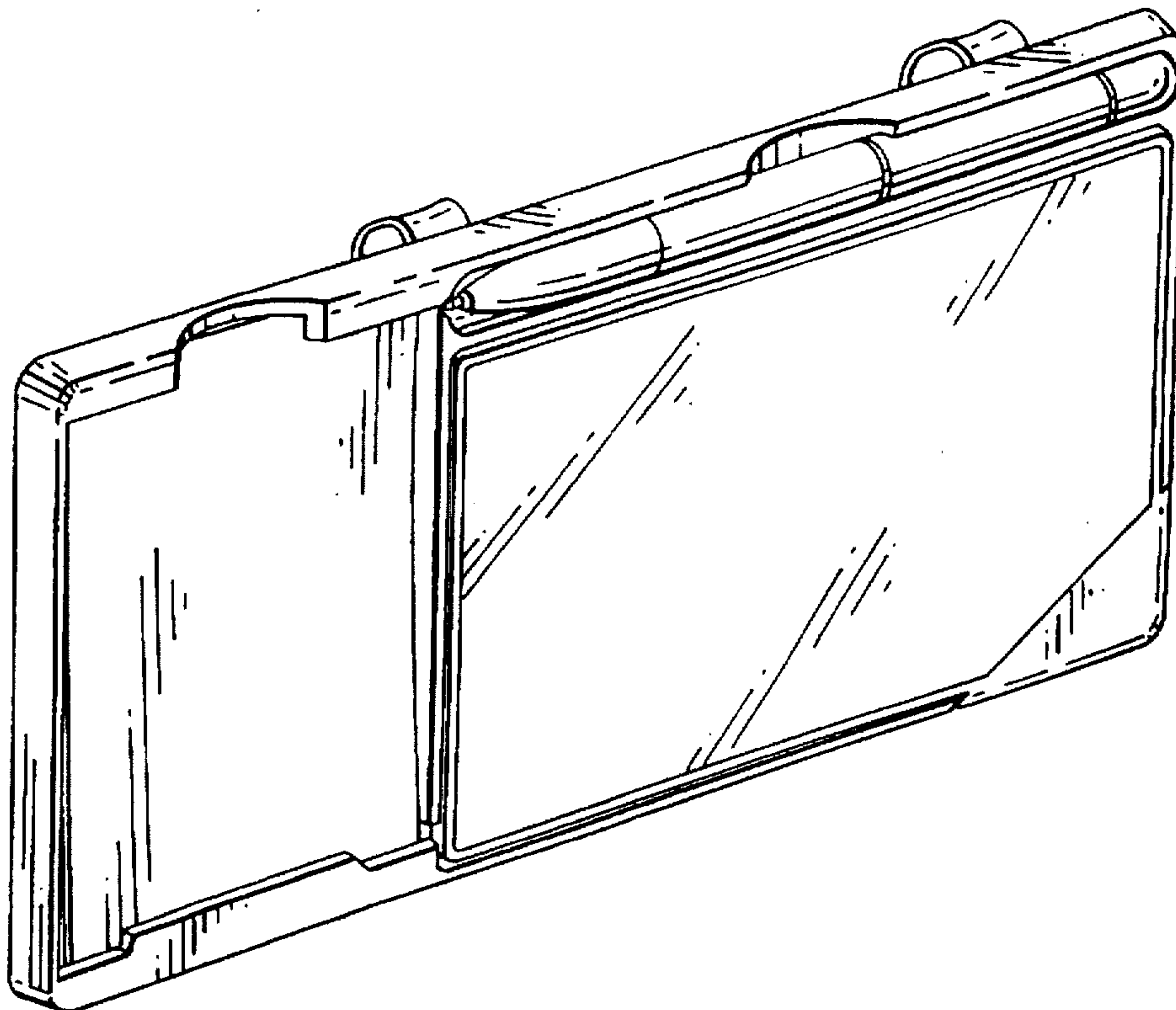
[57] **CLAIM**

The ornamental design for a visor mirror with notepad and pen, as shown.

DESCRIPTION

FIG. 1 is a top plan view of my visor mirror with notepad and pen;
FIG. 2 is a front elevation view of my visor mirror with notepad and pen;
FIG. 3 is a bottom plan view of my visor mirror with notepad and pen;
FIG. 4 is a rear elevation view of my visor mirror with notepad and pen;
FIG. 5 is a right side elevation view of my visor mirror with notepad and pen;
FIG. 6 is a left side elevation view of my visor mirror with notepad and pen;
FIG. 7 is a perspective view of my visor mirror with notepad and pen, from the front and above; and,
FIG. 8 is a view similar to FIG. 7 but with the mirror and pen detached.

1 Claim, 4 Drawing Sheets



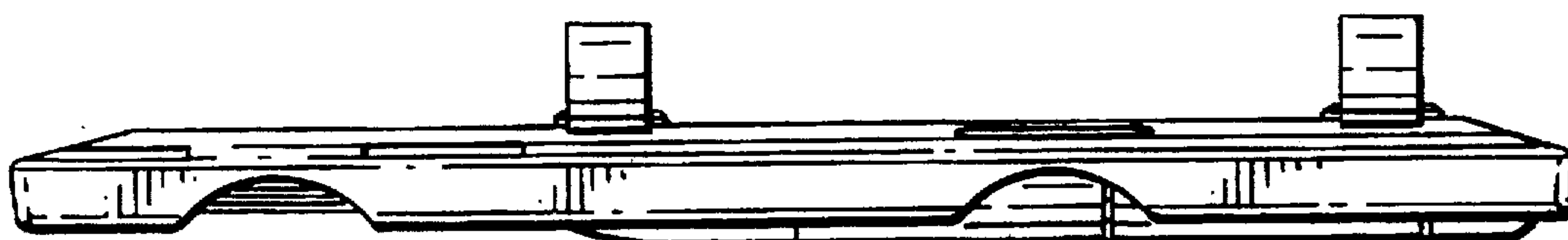


FIG . 1

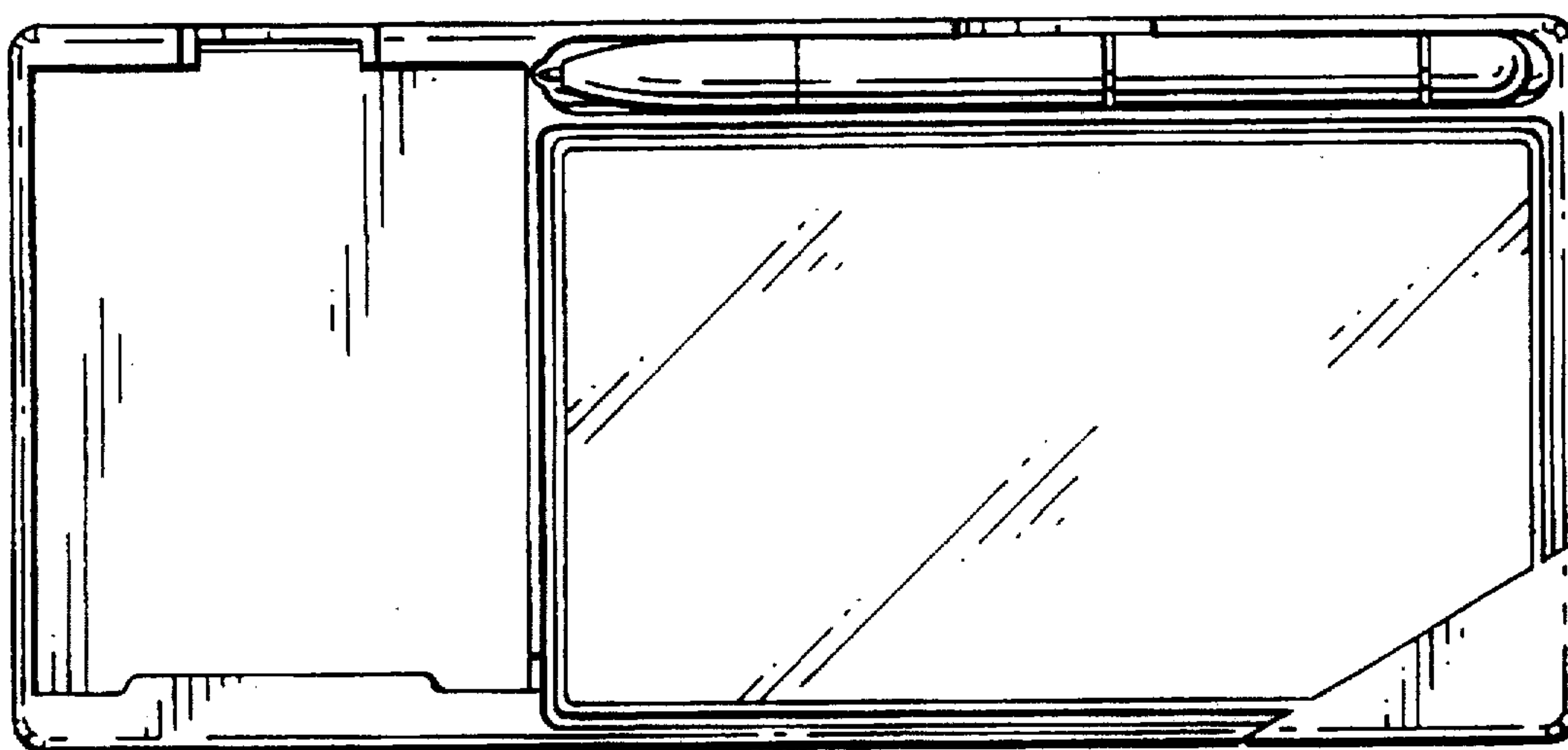


FIG . 2

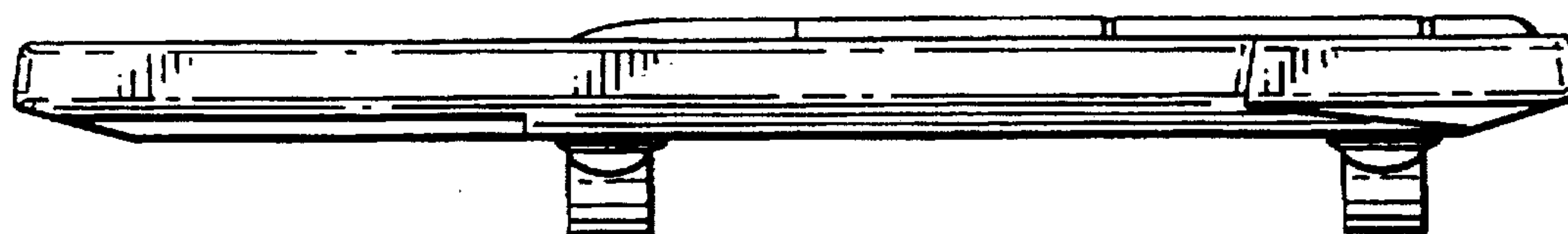


FIG . 3

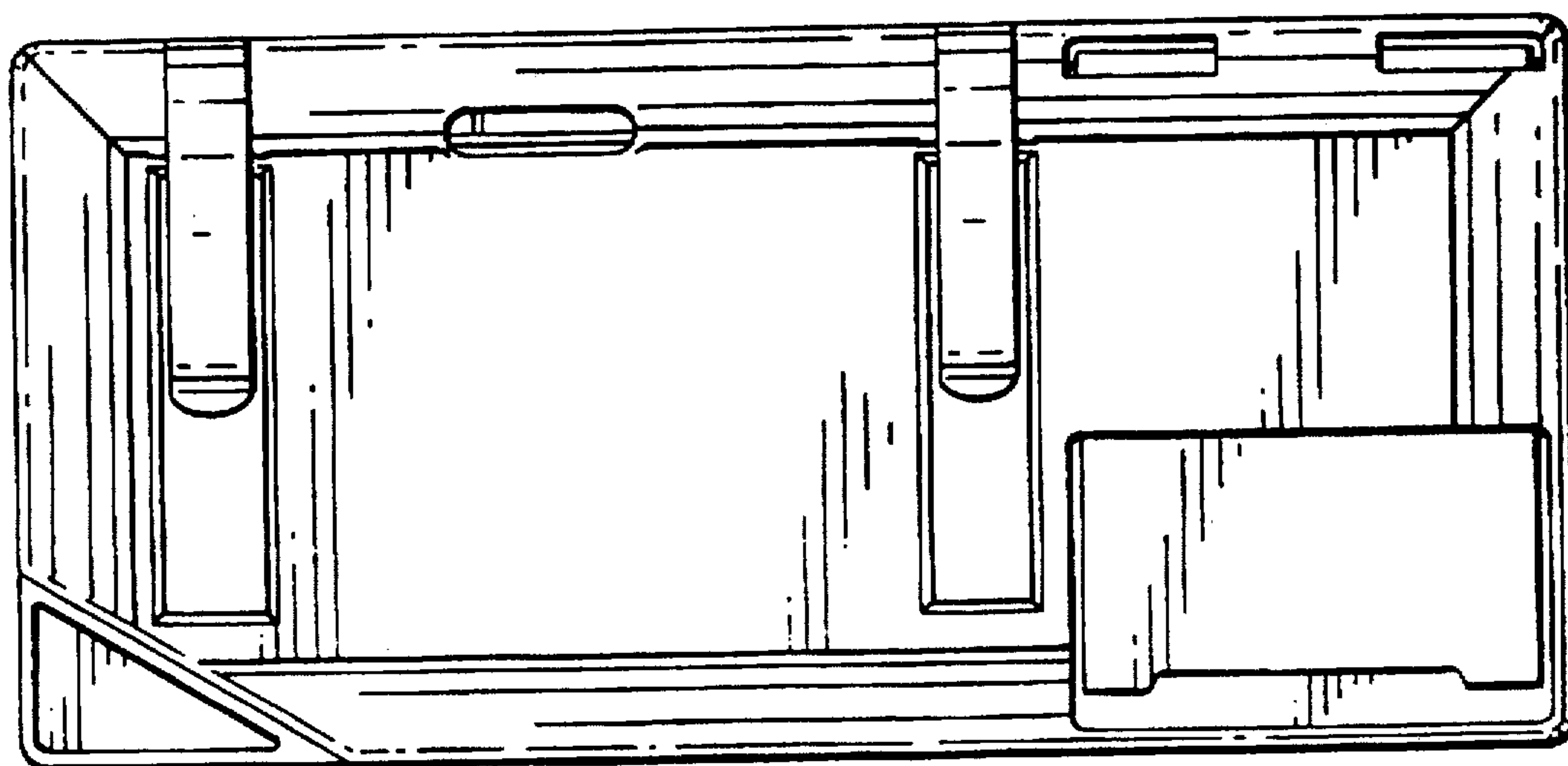


FIG . 4

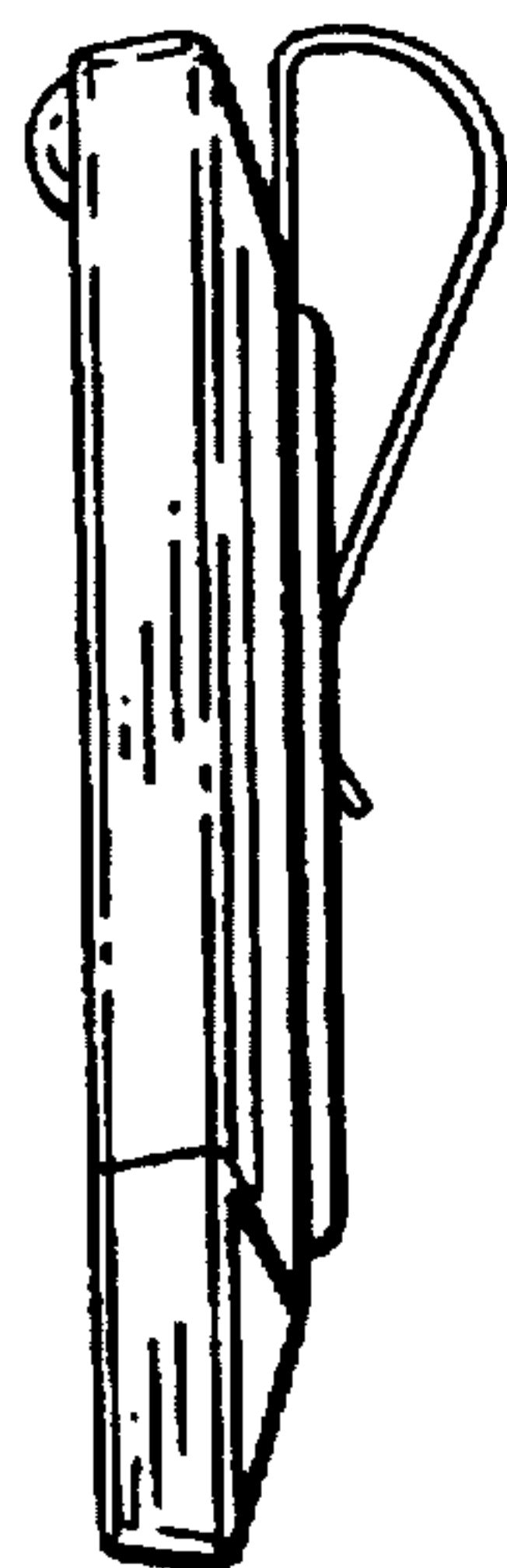


FIG . 5

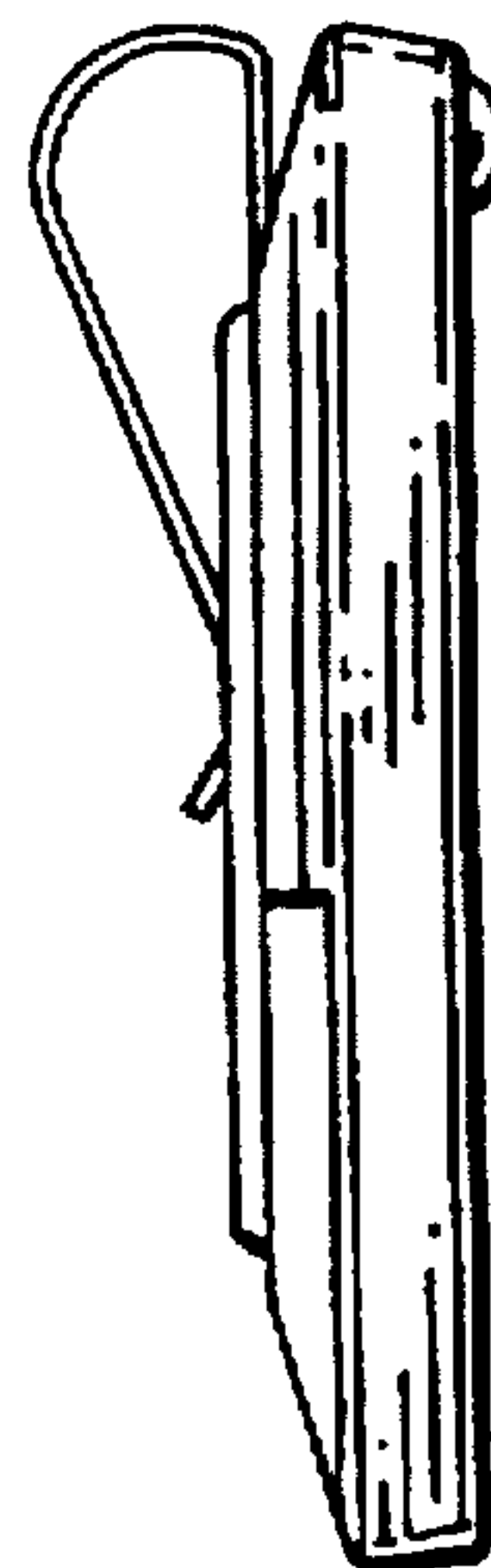


FIG . 6

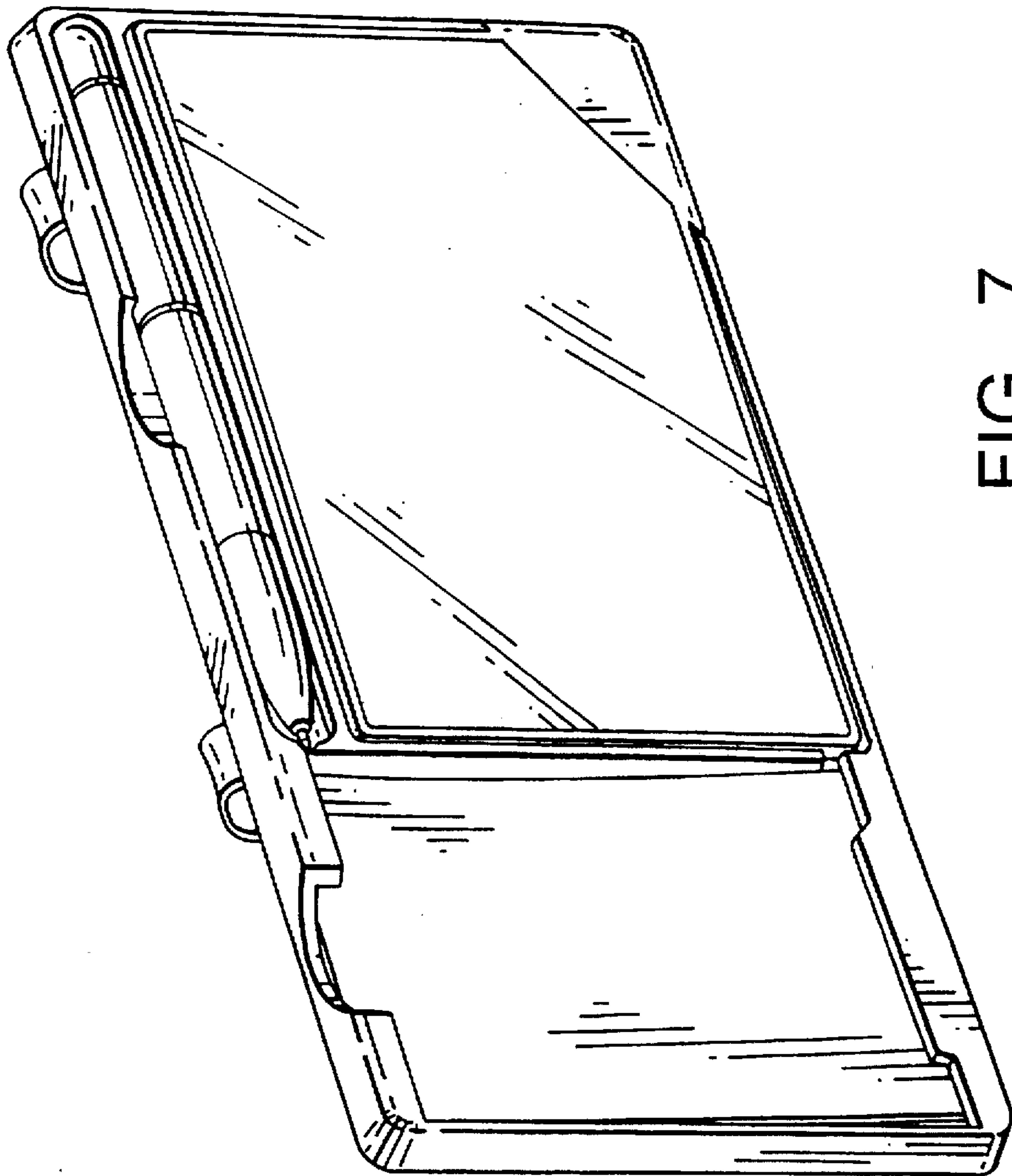


FIG. 7

FIG. 8

