

US00D397070S

United States Patent [19]

Adams, III

[11] Patent Number: **Des. 397,070**

[45] Date of Patent: ****Aug. 18, 1998**

[54] **CLUTCH PLATE**

[75] Inventor: **Herbert Lester Adams, III**, Waterford, Mich.

[73] Assignee: **SLP Engineering, Inc.**, Troy, Mich.

[**] Term: **14 Years**

[21] Appl. No.: **69,908**

[22] Filed: **Apr. 24, 1997**

[51] LOC (6) Cl. **12-16**

[52] U.S. Cl. **D12/180**

[58] Field of Search D12/180, 124; 188/72.7, 180, 218 XL, 264 AA; 192/103 A, 104 C, 105 C, 105 CD, 105 CF, 70.24, 70.26, 35, 81 C

[56] **References Cited**

U.S. PATENT DOCUMENTS

D. 270,048 8/1983 Bytheway D12/124

D. 381,609	7/1997	Ohata et al.	D12/180
D. 381,610	7/1997	Ohata et al.	D12/180
D. 381,611	7/1997	Ohata et al.	D12/180
4,673,073	6/1987	Weatherby	D12/35
4,687,085	8/1987	Shimizu et al.	192/103 A X
4,732,251	3/1988	Tipton	192/709.24
5,165,551	11/1992	Lunati	192/105 CF

Primary Examiner—Melody N. Brown

Attorney, Agent, or Firm—Harness, Dickey & Pierce, P.L.C.

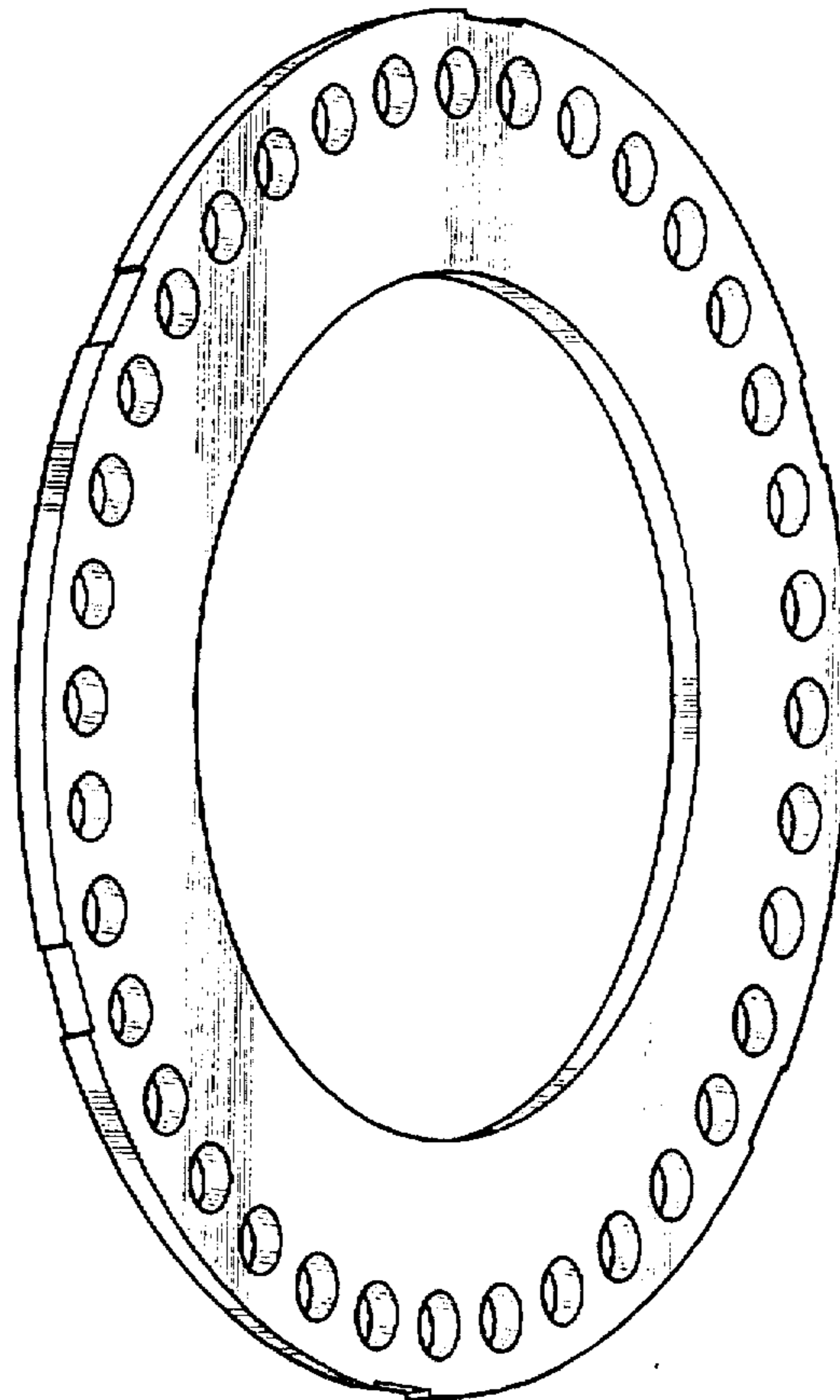
[57] **CLAIM**

The ornamental design for a clutch plate, as shown and described.

DESCRIPTION

FIG. 1 is a perspective view of a clutch plate constructed in accordance with my new design; FIG. 2 is a front view thereof; and, FIG. 3 is a side view thereof.

1 Claim, 1 Drawing Sheet



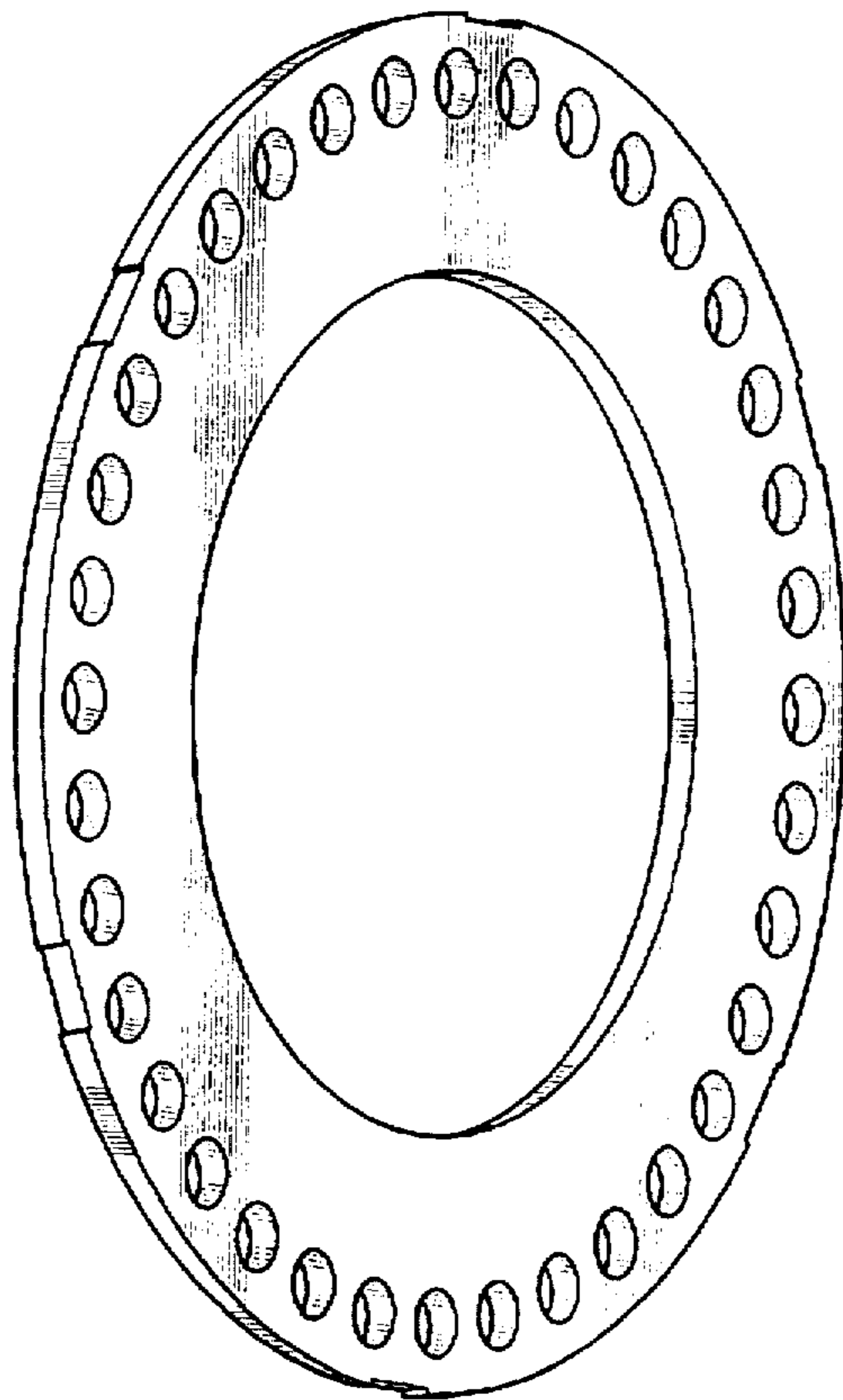


Fig-1

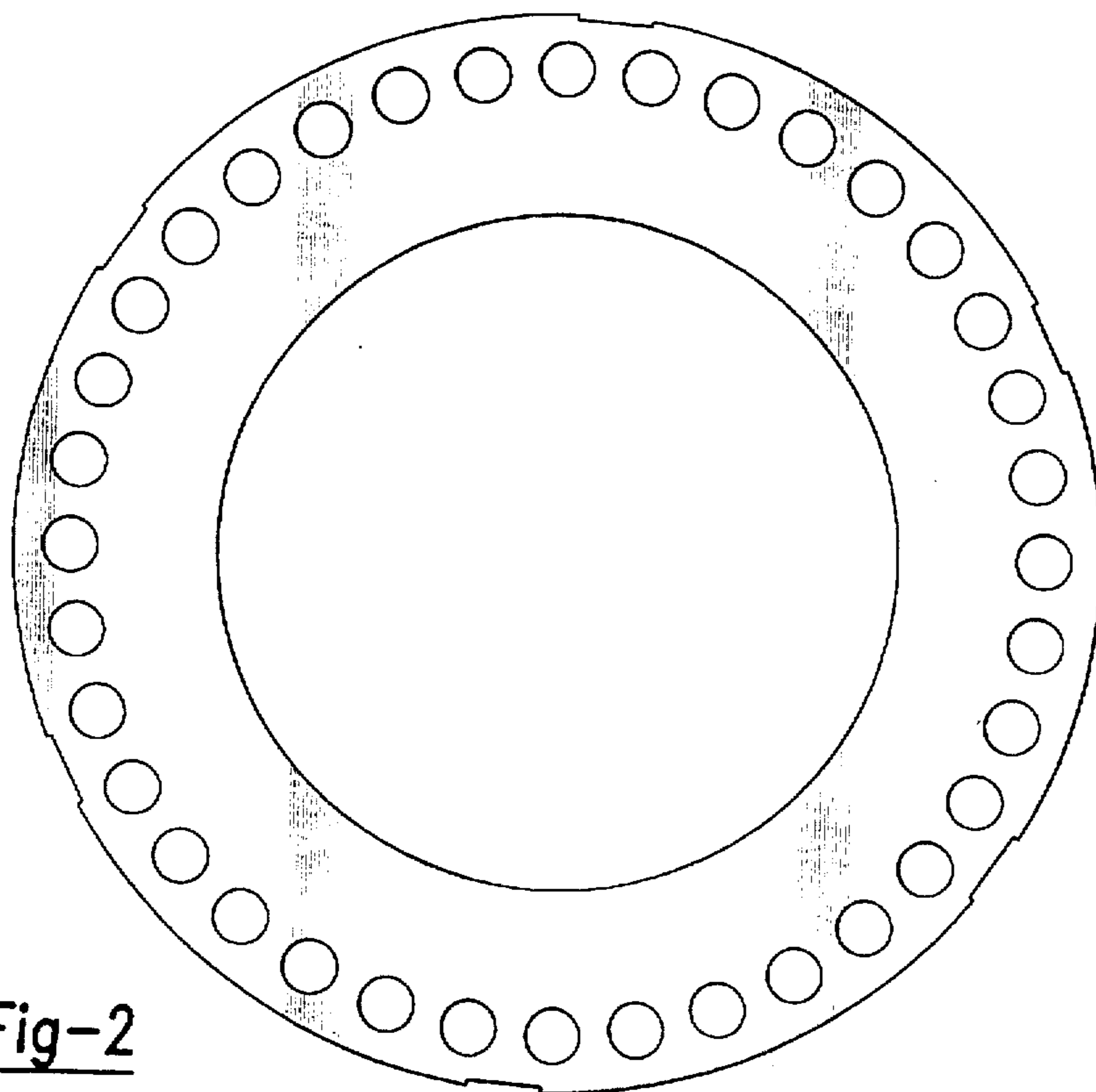


Fig-2



Fig-3