



US00D397067S

United States Patent [19]

McCoy et al.

[11] Patent Number: **Des. 397,067**

[45] Date of Patent: ****Aug. 18, 1998**

[54] **NOTCHED END HITCH BAR**

[75] Inventors: **Richard McCoy**, Granger; **Chad A. McCoige**, Mishawaka, both of Ind.; **Marvin L. Hanson**, Vandalia; **Jon L. Krager**, Cassopolis, both of Mich.

[73] Assignee: **Reese Products, Inc.**, Elkhart, Ind.

[**] Term: **14 Years**

[21] Appl. No.: **62,891**

[22] Filed: **Nov. 27, 1996**

[51] **LOC (6) Cl.** **12-16**

[52] **U.S. Cl.** **D12/162**

[58] **Field of Search** **D12/162; D8/381; 280/490.1**

[56] **References Cited**

U.S. PATENT DOCUMENTS

D. 343,569	1/1994	Jeng	D8/381
D. 346,735	5/1994	Glisch et al.	D8/381
D. 358,321	5/1995	Tayar	D8/381
D. 369,581	5/1996	McCoy et al.	..	
D. 369,582	5/1996	McCoy et al.	..	
D. 386,145	11/1997	Staller	D8/381
2,549,734	4/1951	White	280/490.1

3,664,686	5/1972	Anderson	280/490.1
4,033,601	7/1977	Lindahl et al.	280/490.1
5,647,603	7/1997	Kass et al.	280/406.1

FOREIGN PATENT DOCUMENTS

594646	3/1960	Canada	280/490.1
1208344	10/1970	United Kingdom	280/490.1

Primary Examiner—Robert M. Spear
Attorney, Agent, or Firm—King & Schickli

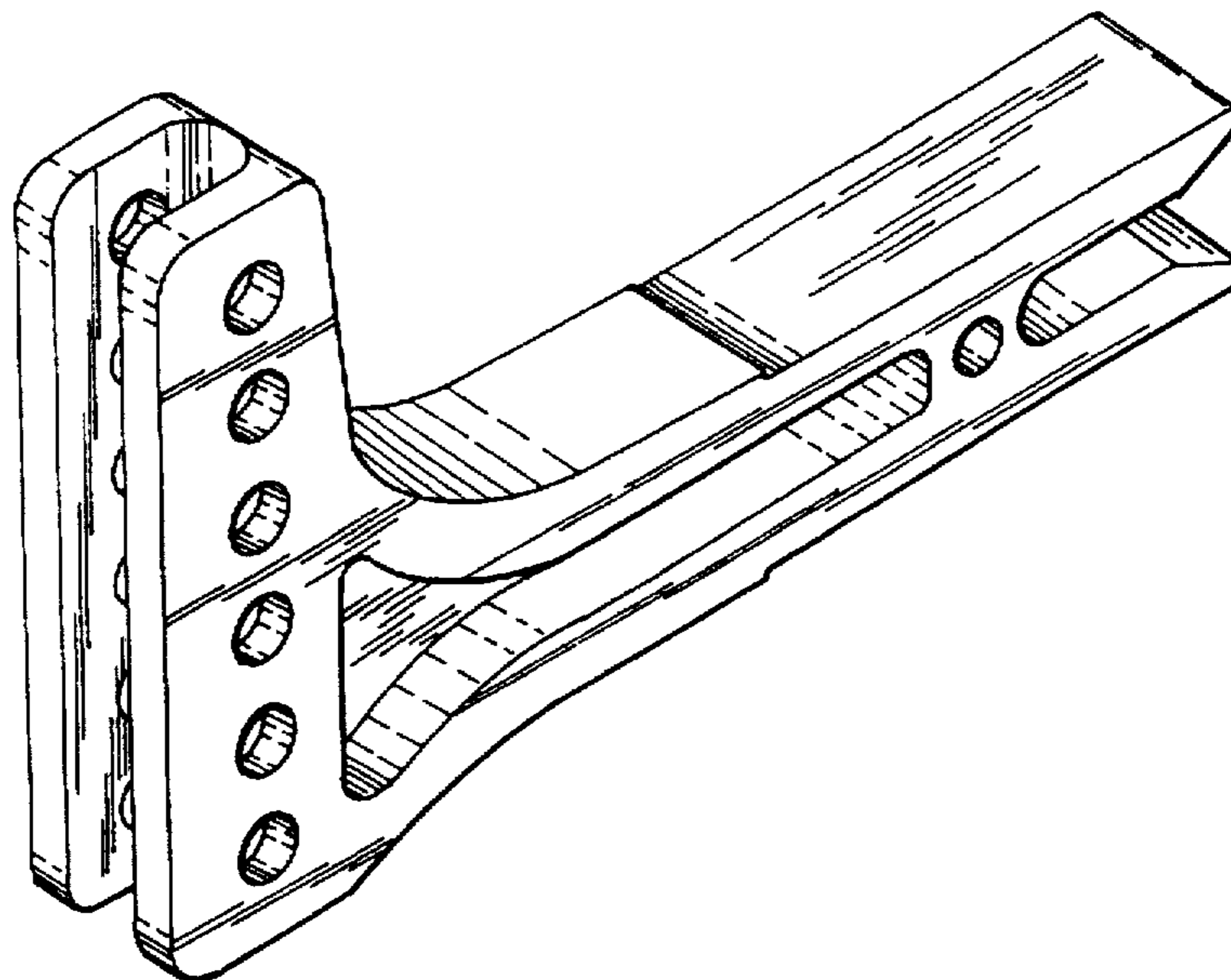
[57] **CLAIM**

The ornamental design for a notched end hitch bar, as shown and described.

DESCRIPTION

FIG. 1 is a perspective view of the notched end hitch bar of the present invention;
FIG. 2 is a right side elevational view thereof;
FIG. 3 is a rear elevational view thereof;
FIG. 4 is a left side elevational view thereof;
FIG. 5 is a front view thereof;
FIG. 6 is a top plan view thereof; and,
FIG. 7 is a bottom plan view thereof.
FIGS. 2-7 are shown at an enlarged scale for ease of disclosure.

1 Claim, 3 Drawing Sheets



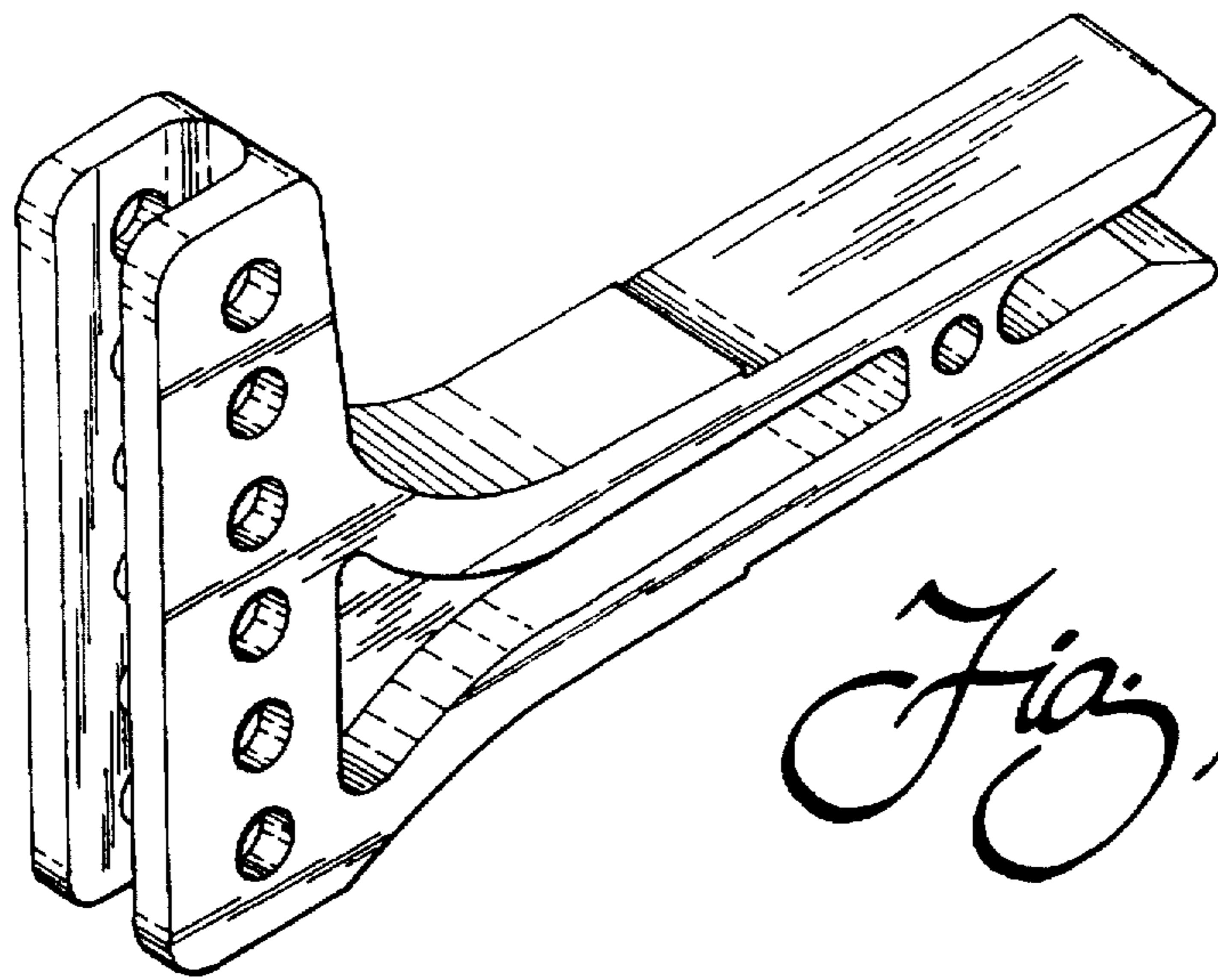


Fig. 1

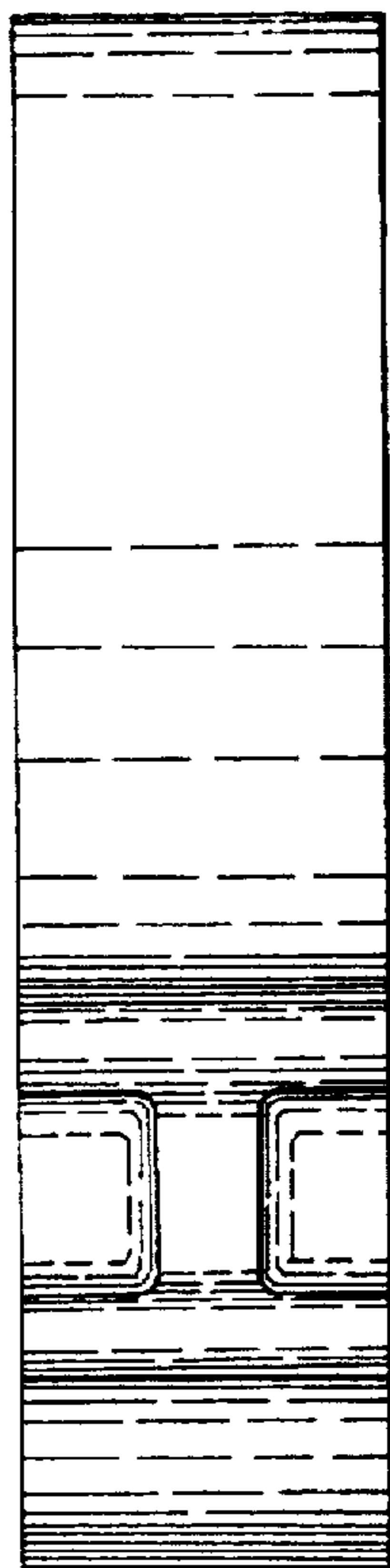


Fig. 3

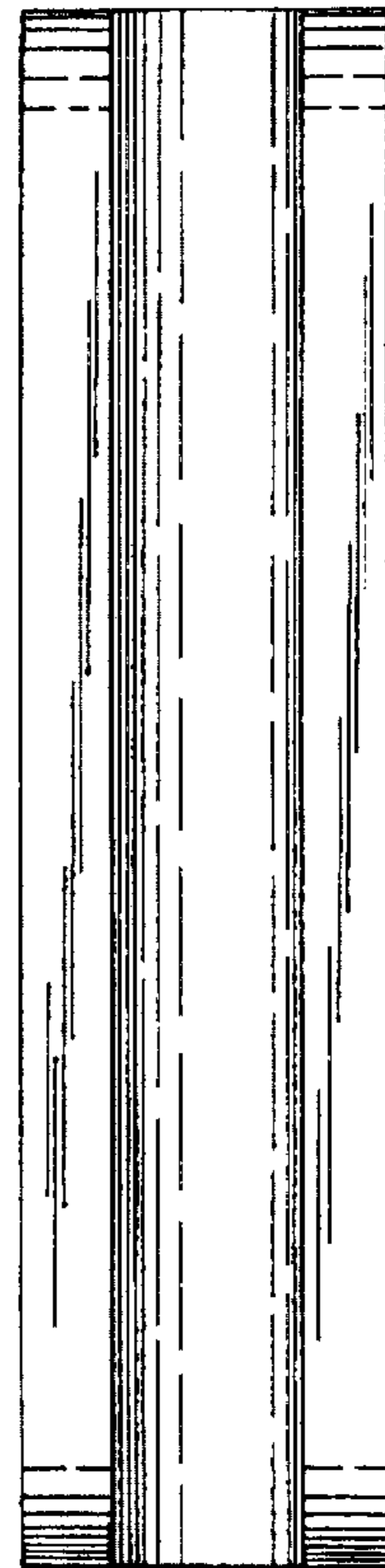


Fig. 5

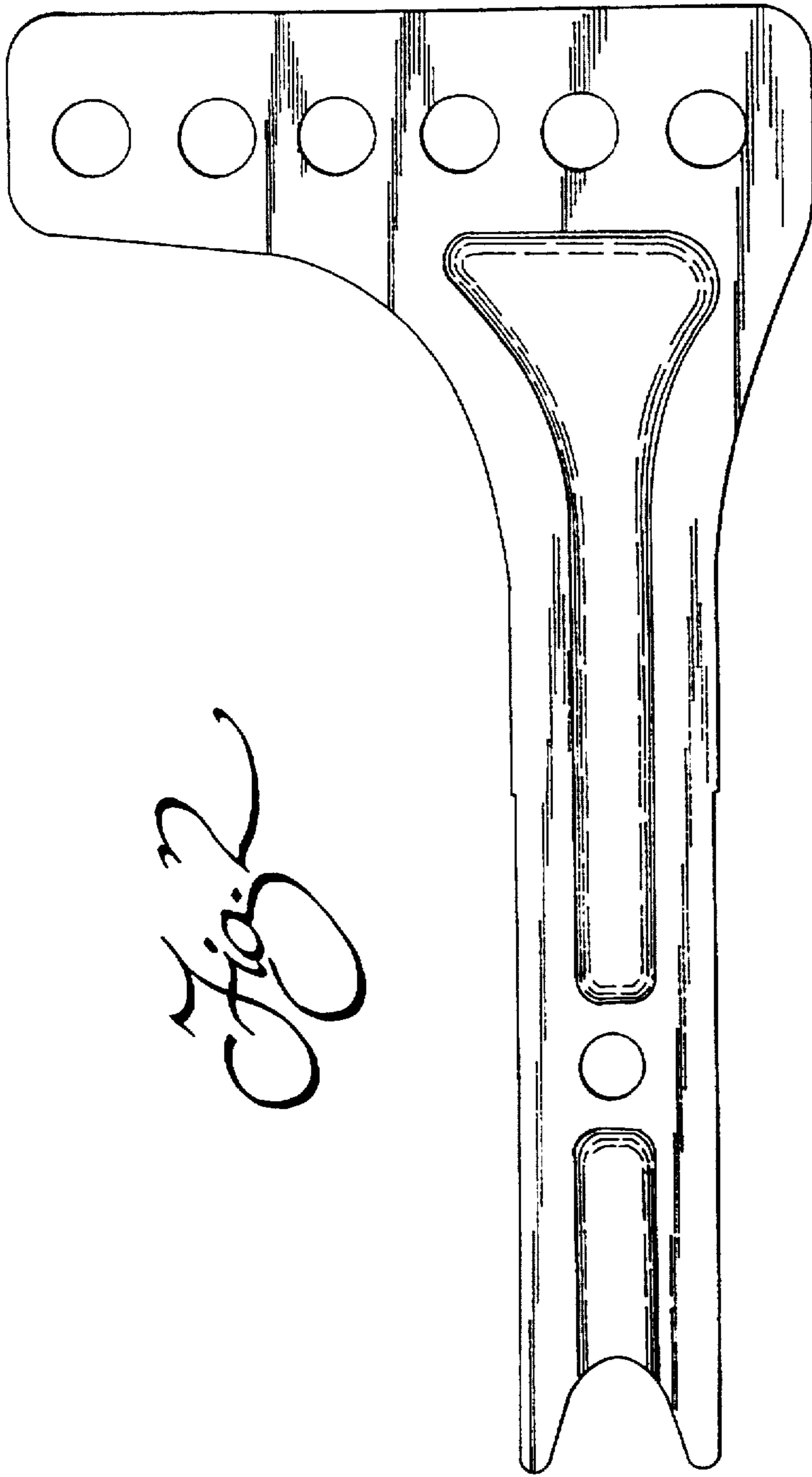


Fig. 2

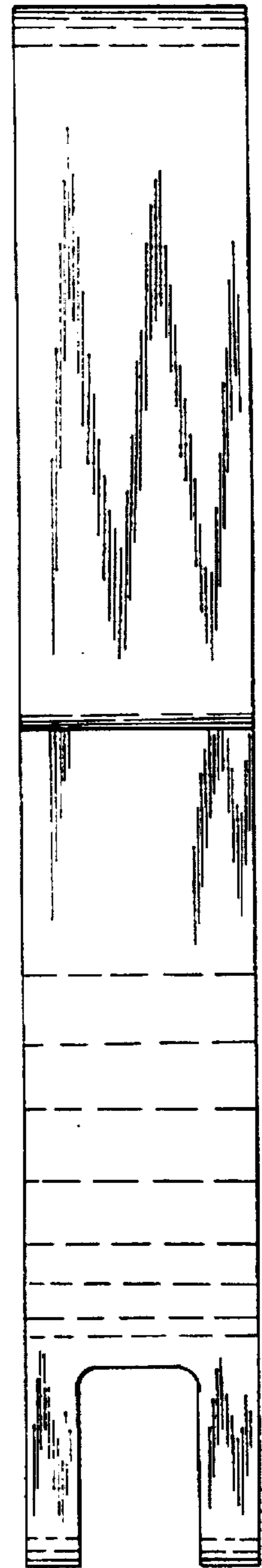


Fig. 1

Fig. 24

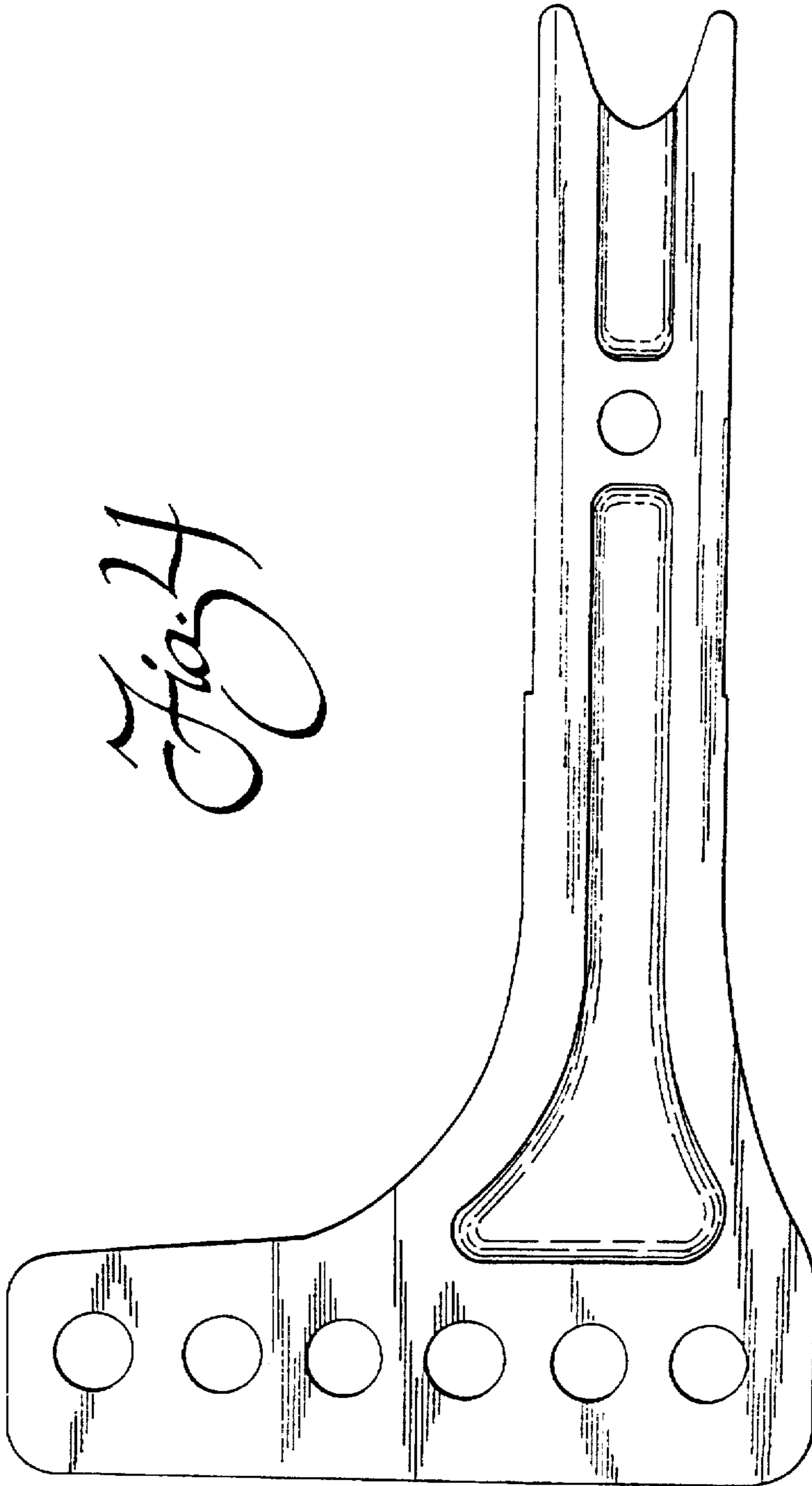


Fig. 6

