



US00D397065S

United States Patent [19]

Uematsu et al.

[11] Patent Number: Des. 397,065

[45] Date of Patent: **Aug. 18, 1998

[54] MOTOR VEHICLE

D. 367,441 2/1996 Taylor et al. D12/91

[75] Inventors: **Takahiro Uematsu; Toru Takagi; Akihiro Sugita**, all of Kanagawa, Japan

[73] Assignee: **Isuzu Motors Limited**, Kanagawa, Japan

[**] Term: **14 Years**

[21] Appl. No.: **75,320**

[22] Filed: **Aug. 28, 1997**

[30] Foreign Application Priority Data

Mar. 5, 1997 [JP] Japan 9-6269

[51] LOC (6) Cl. **12-08**

[52] U.S. Cl. **D12/91**

[58] Field of Search D12/90-92, 82, D12/96, 99; 296/185

[56] References Cited

U.S. PATENT DOCUMENTS

D. 318,823 8/1991 Wada et al. D12/91

D. 318,827 8/1991 Wada et al. D12/91

D. 318,829 8/1991 Wada et al. D12/96

OTHER PUBLICATIONS

Isuzumotors "MU type S" in Japanese Motor Vehicle Guidebook issued Oct. 25, 1996 (3 pages).

Primary Examiner—Melody N. Brown
Attorney, Agent, or Firm—Sughrue, Mion, Zinn, Macpeak & Seas, PLLC

[57] CLAIM

The ornamental design for a motor vehicle, as shown and described.

DESCRIPTION

FIG. 1 is a perspective view of the top, front and right side of a motor vehicle showing our new design;

FIG. 2 is a perspective view of the top, rear and right side thereof;

FIG. 3 is a right side elevational view, the left side elevational view being a mirror image thereof;

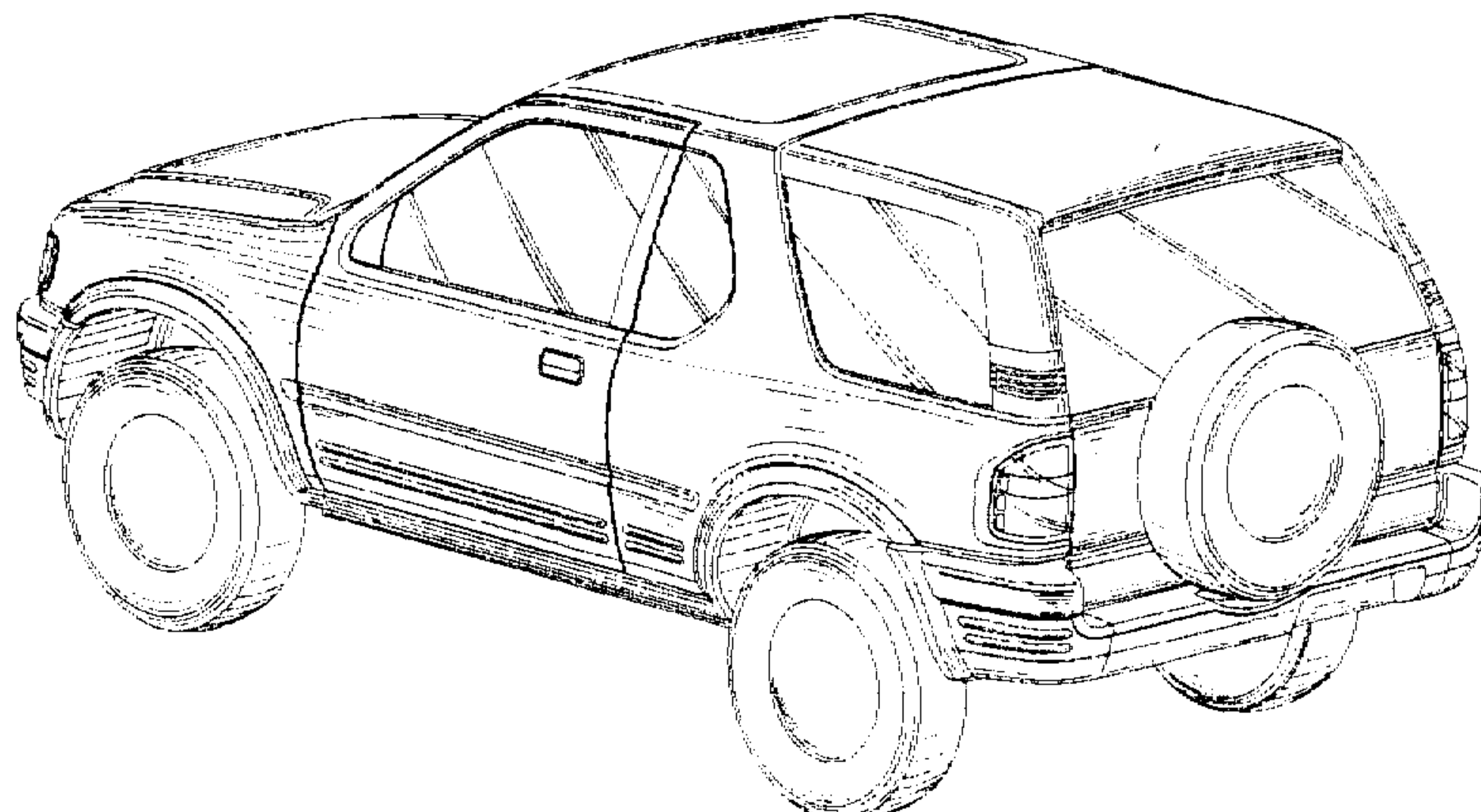
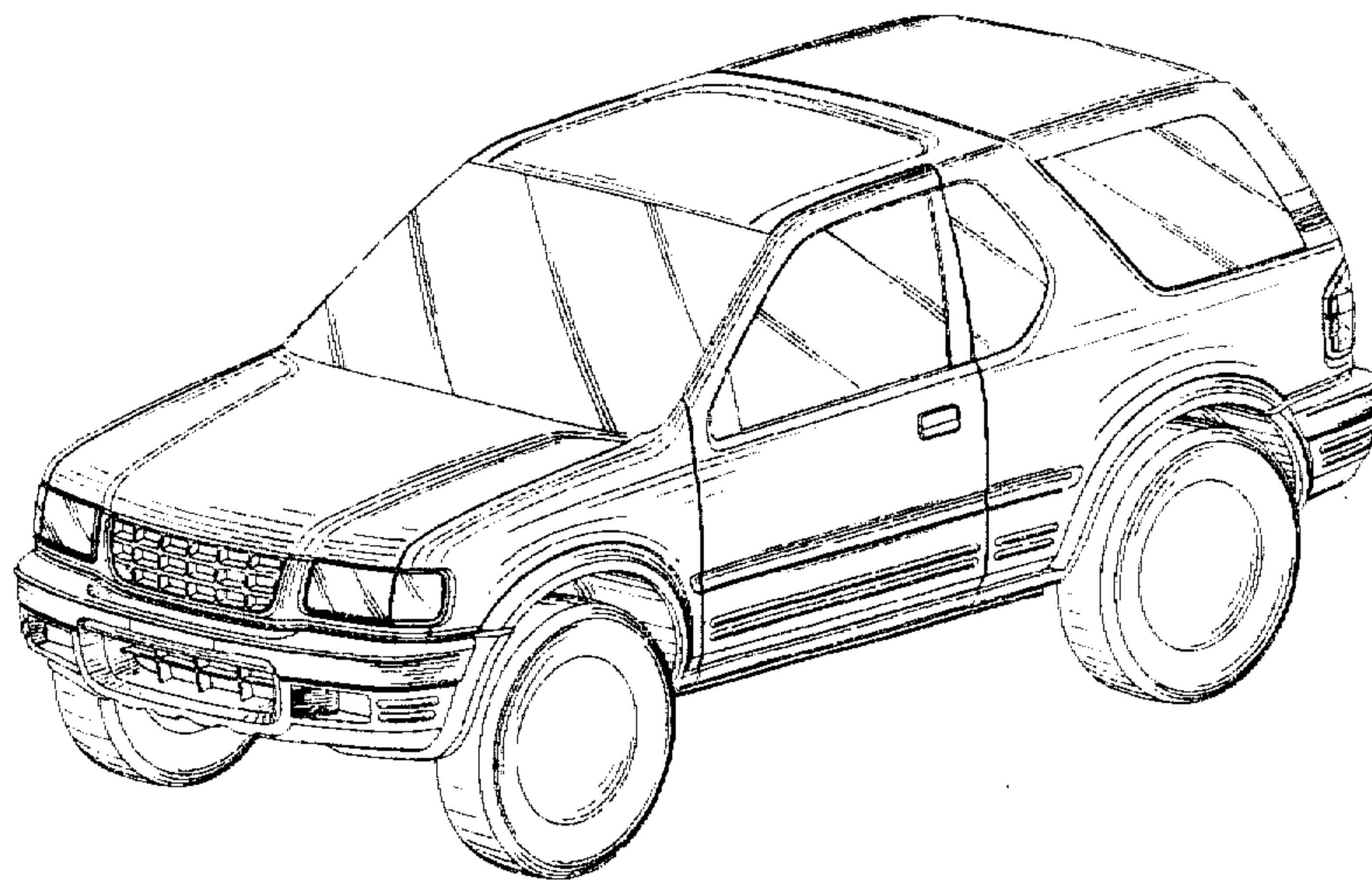
FIG. 4 is a top plan view thereof;

FIG. 5 is a front elevational view thereof;

FIG. 6 is a rear elevational view thereof; and,

FIG. 7 is a bottom plan view thereof.

1 Claim, 6 Drawing Sheets



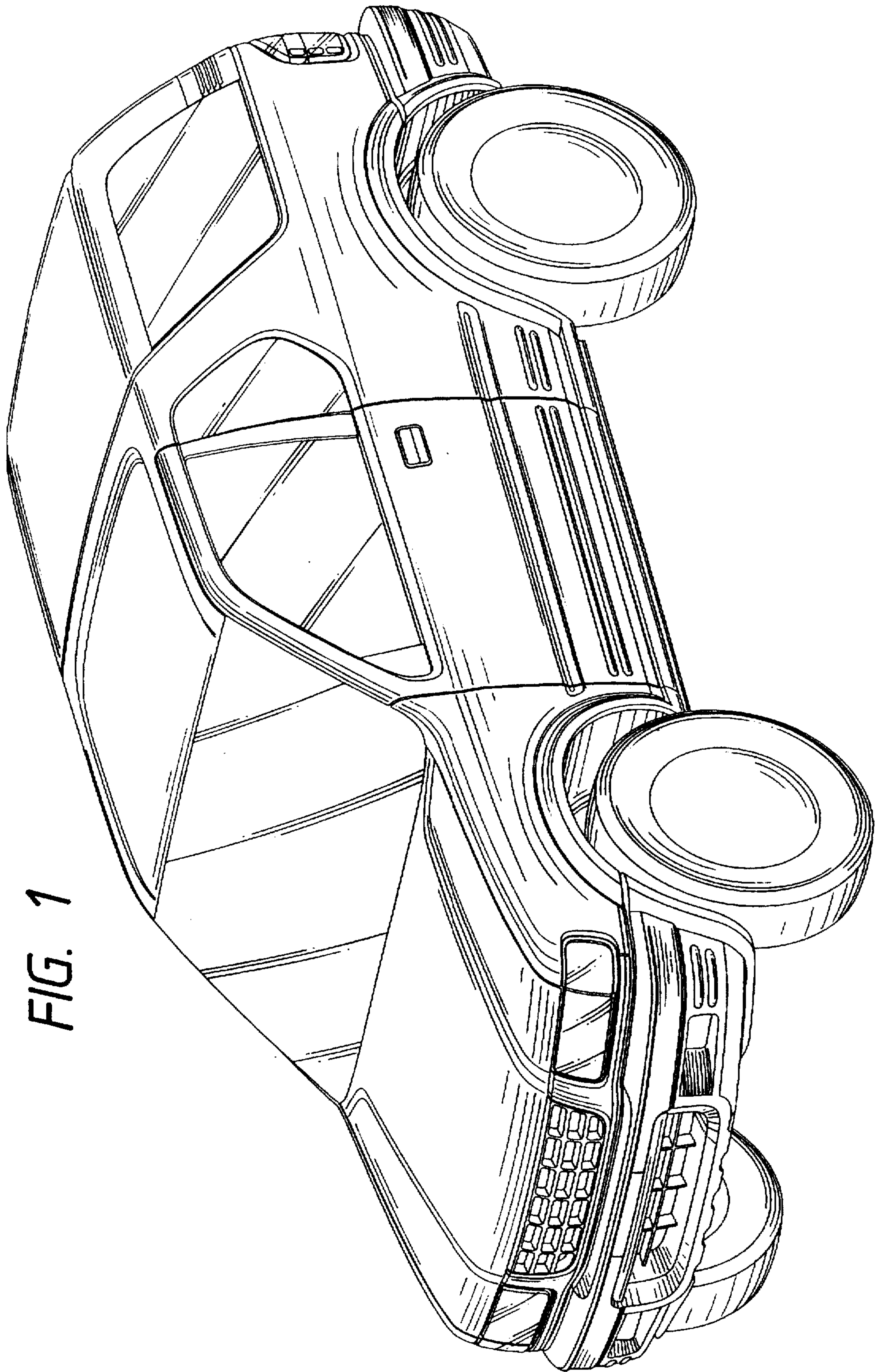


FIG. 1

FIG. 2

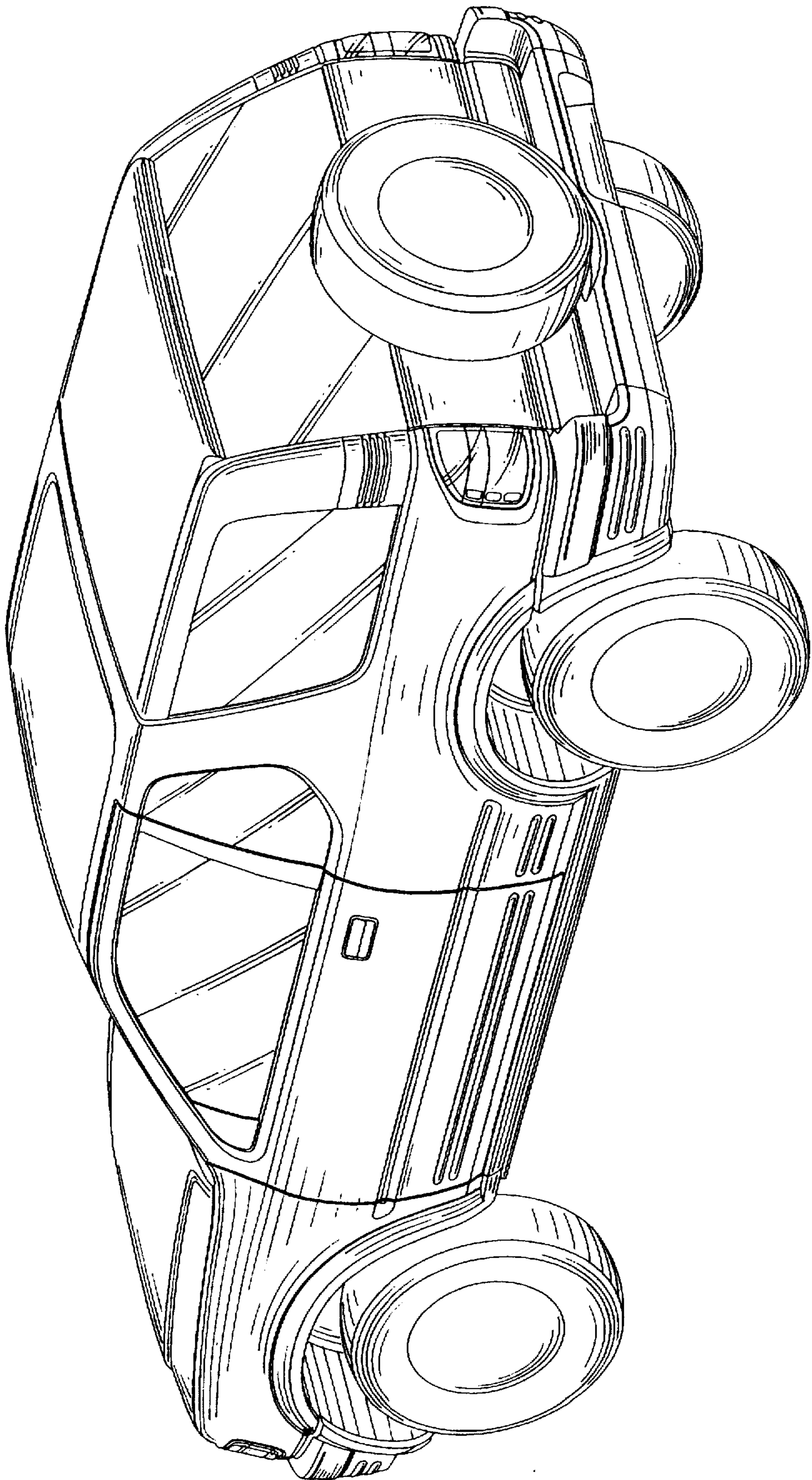


FIG. 3

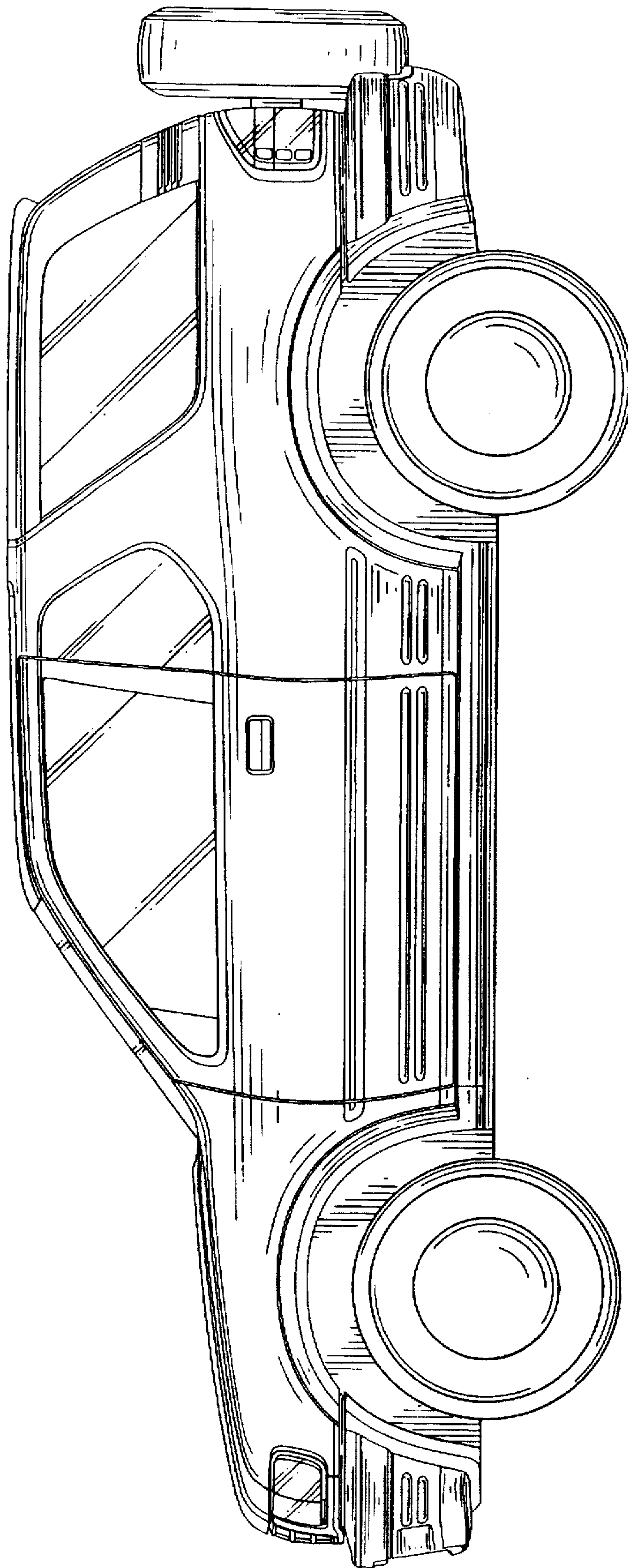


FIG. 4

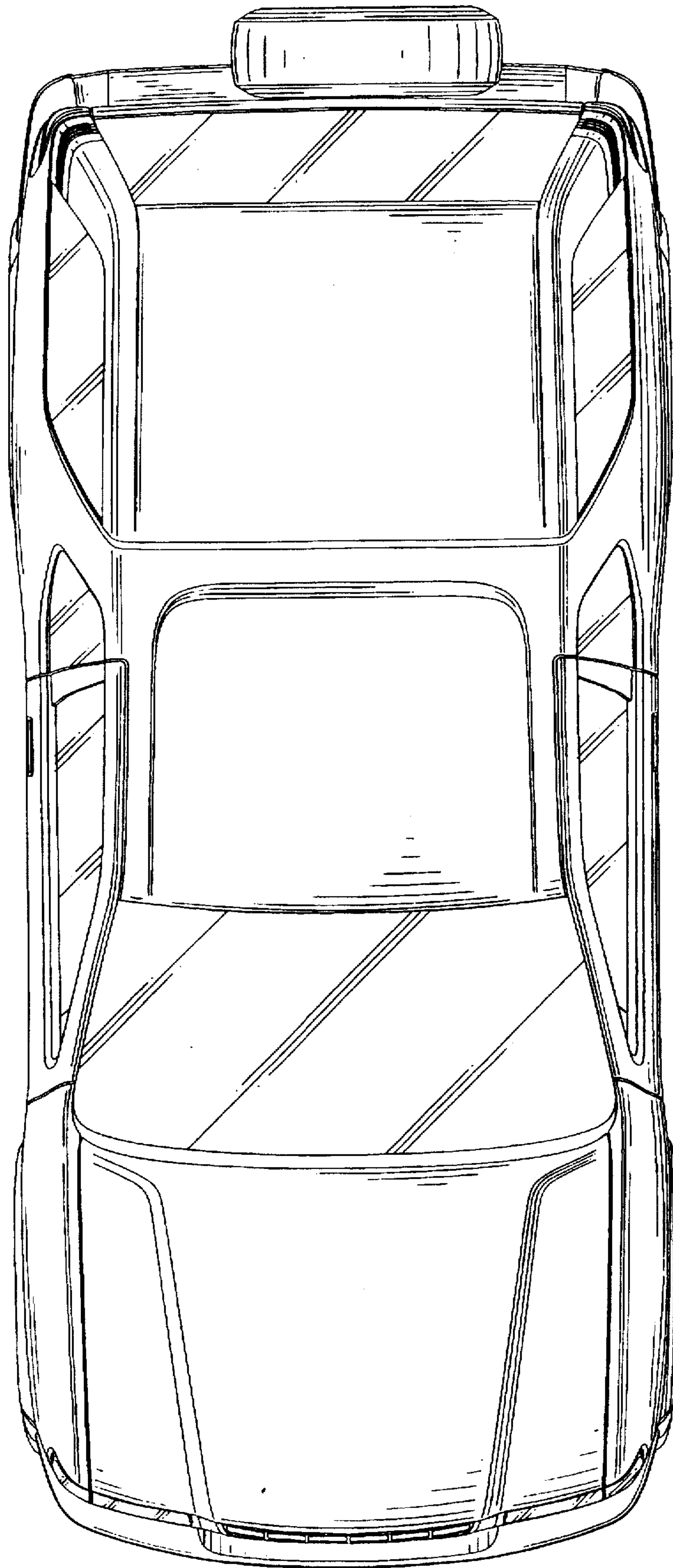


FIG. 5

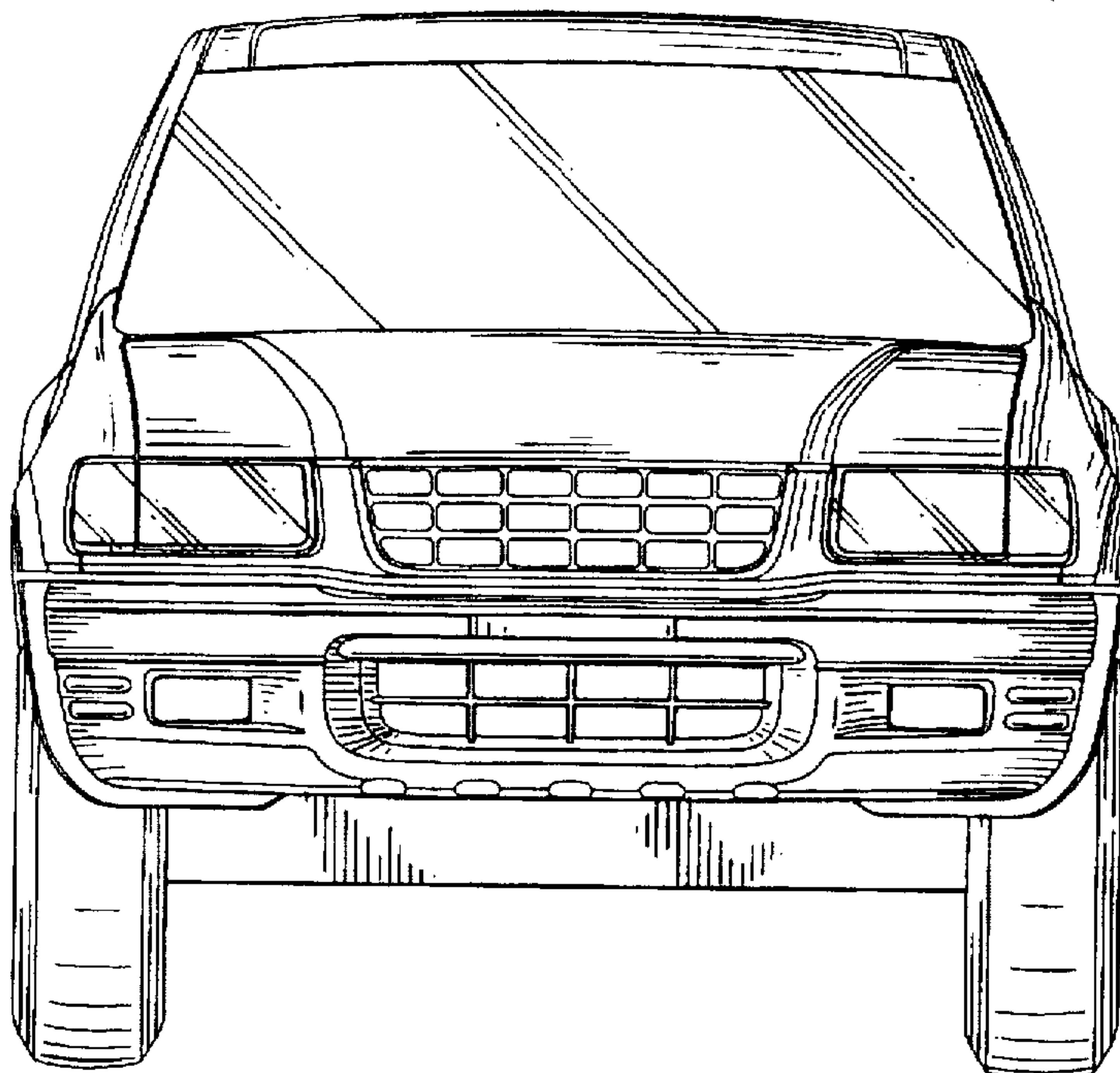
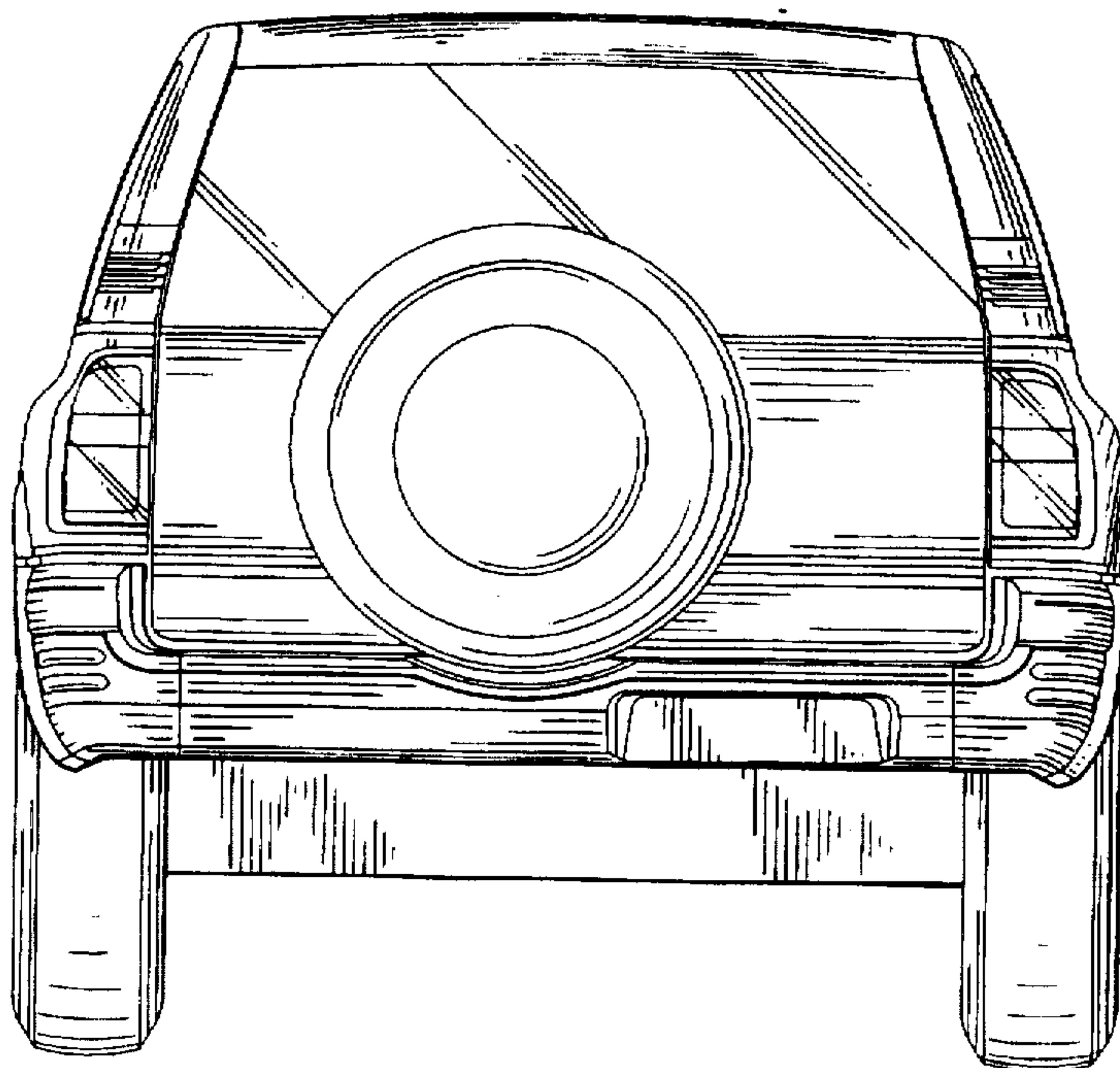


FIG. 6



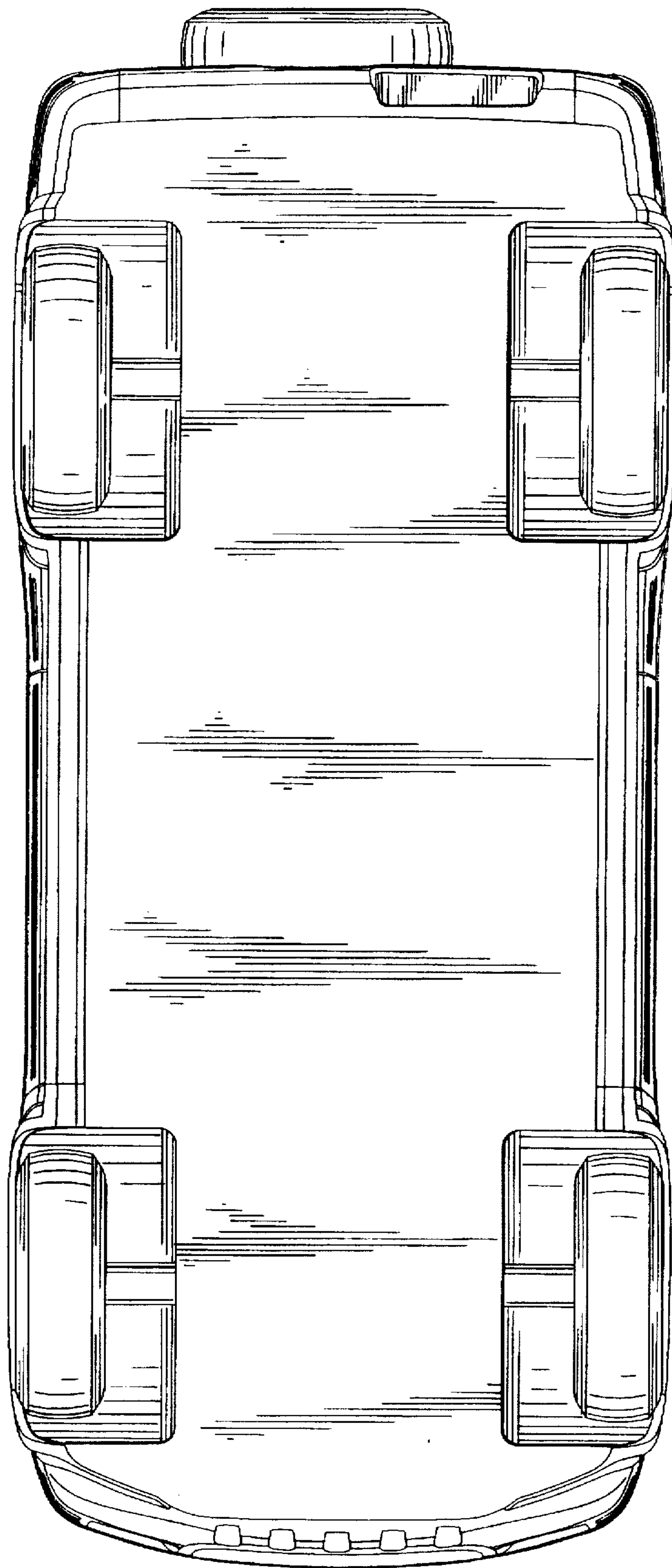


FIG. 7