



US00D397064S

United States Patent [19]

Nelson

[11] Patent Number: **Des. 397,064**

[45] Date of Patent: ****Aug. 18, 1998**

[54] CUFF LINK

[76] Inventor: **Barbara Bosha Nelson**, P.O. Box 496,
Quakertown, N.J. 08868

[**] Term: **14 Years**

[21] Appl. No.: **44,628**

[22] Filed: **Sep. 27, 1995**

[51] LOC (6) Cl. **02-07**

[52] U.S. Cl. **D11/222**

[58] Field of Search **D11/1-3, 86, 87,
D11/200, 222, 226-228; D8/382, 356, 388;
24/41-47, 95; 63/20; 411/510**

[56] References Cited

U.S. PATENT DOCUMENTS

2,123,790	7/1938	Mix	D11/226
3,080,630	3/1963	Paliotta	D11/228
3,119,161	1/1964	McNeill	D11/226

OTHER PUBLICATIONS

Bennett Brothers 1992 Blue Book Item L Upper Rt. of p. 139.

Bennett Bros. 1992 Blue Book—Item "E" Upper Left of p. 65.

Primary Examiner—Ralf Seifert

Attorney, Agent, or Firm—Louis Weinstein

[57] CLAIM

A design for a cuff link, as shown and described.

DESCRIPTION

FIG. 1 is a top perspective view of a cuff link showing my new design;

FIG. 2 is a side perspective view;

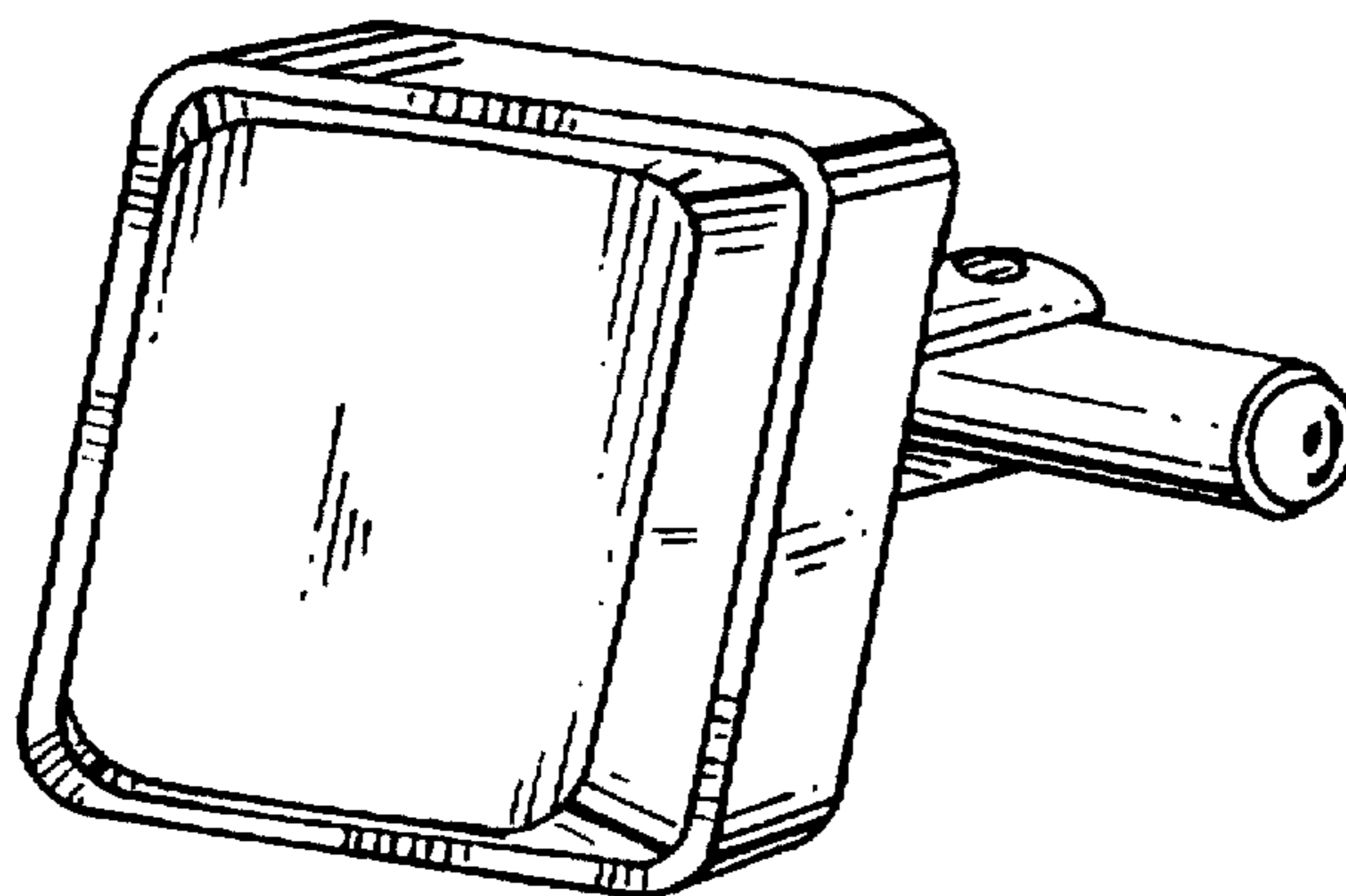
FIG. 3 is a bottom perspective view;

FIG. 4 is a top plan view of a cuff link showing a second embodiment of my new design;

FIG. 5 is a side perspective view of FIG. 4; and

FIG. 6 is a bottom side perspective view of FIG. 4.

1 Claim, 2 Drawing Sheets



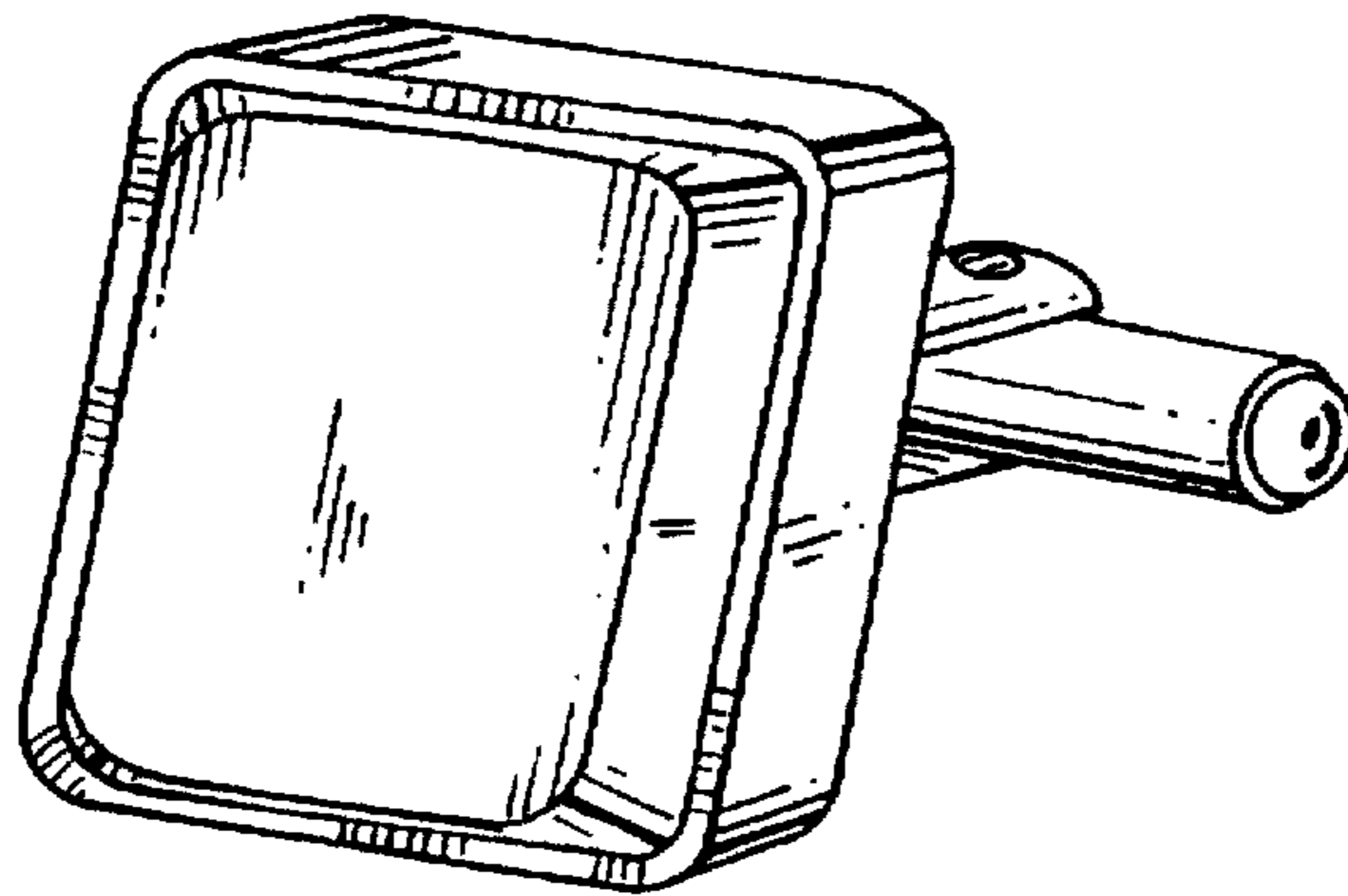


FIG. 1

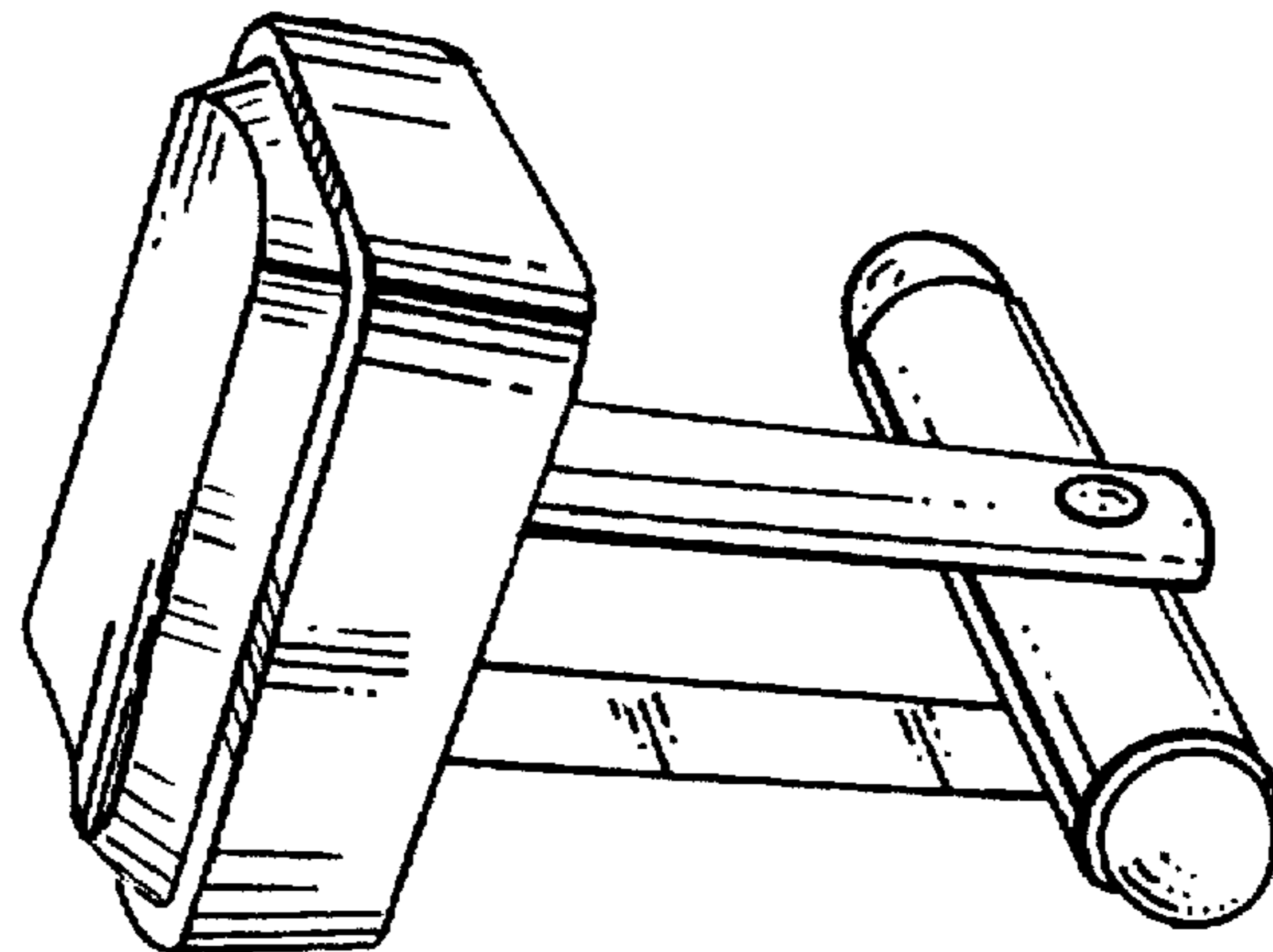


FIG. 2

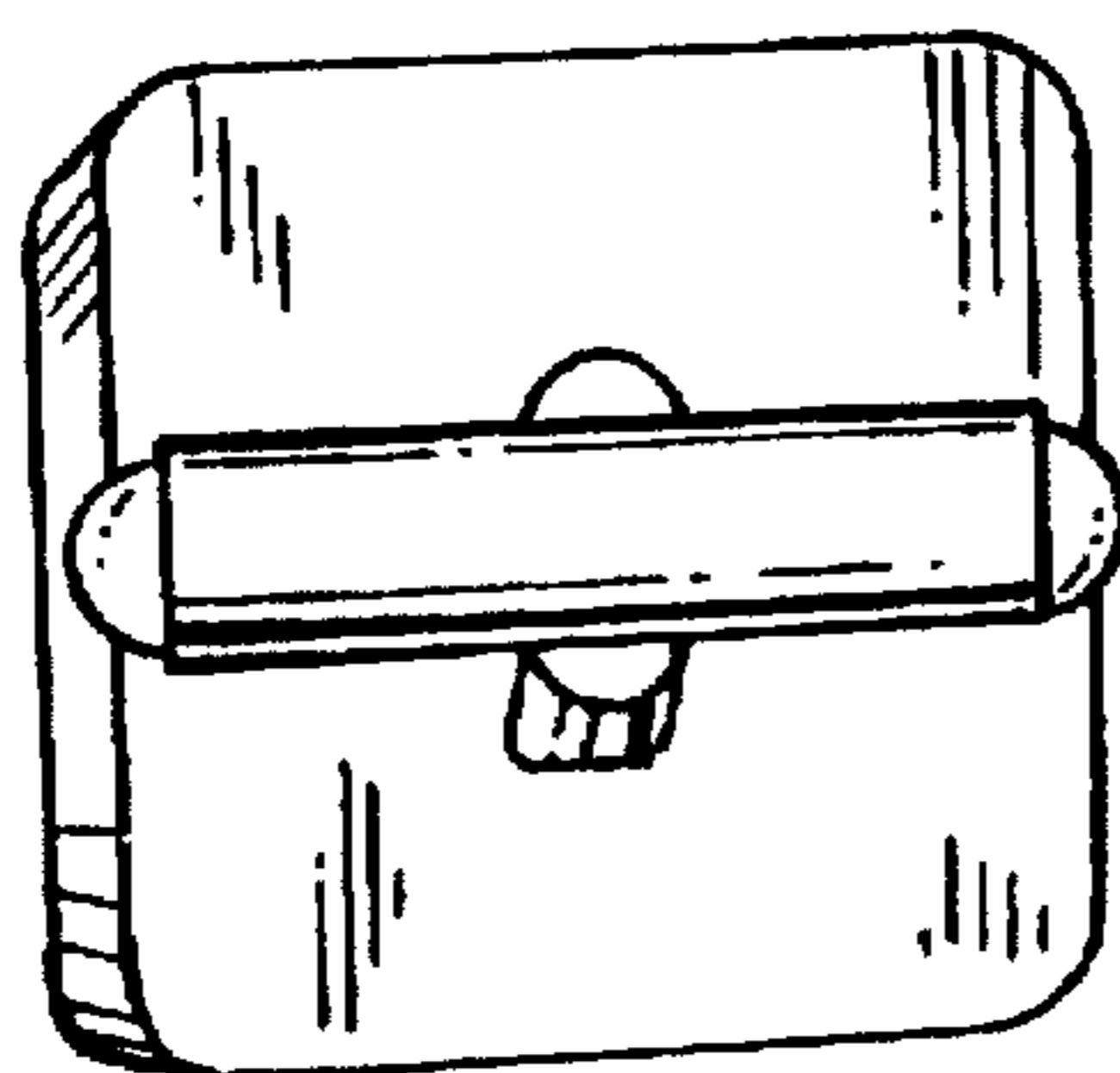


FIG. 3

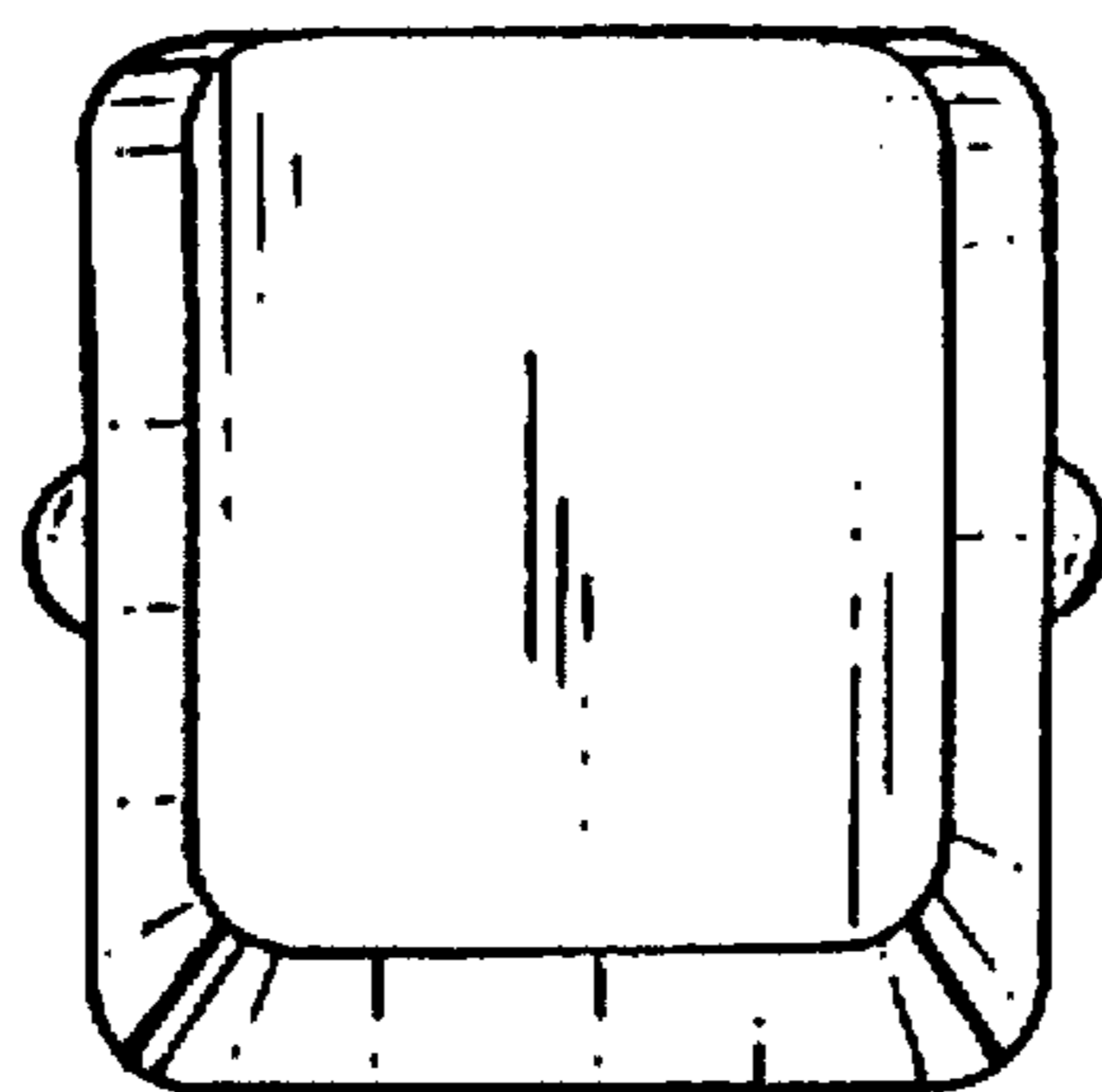


FIG. 4

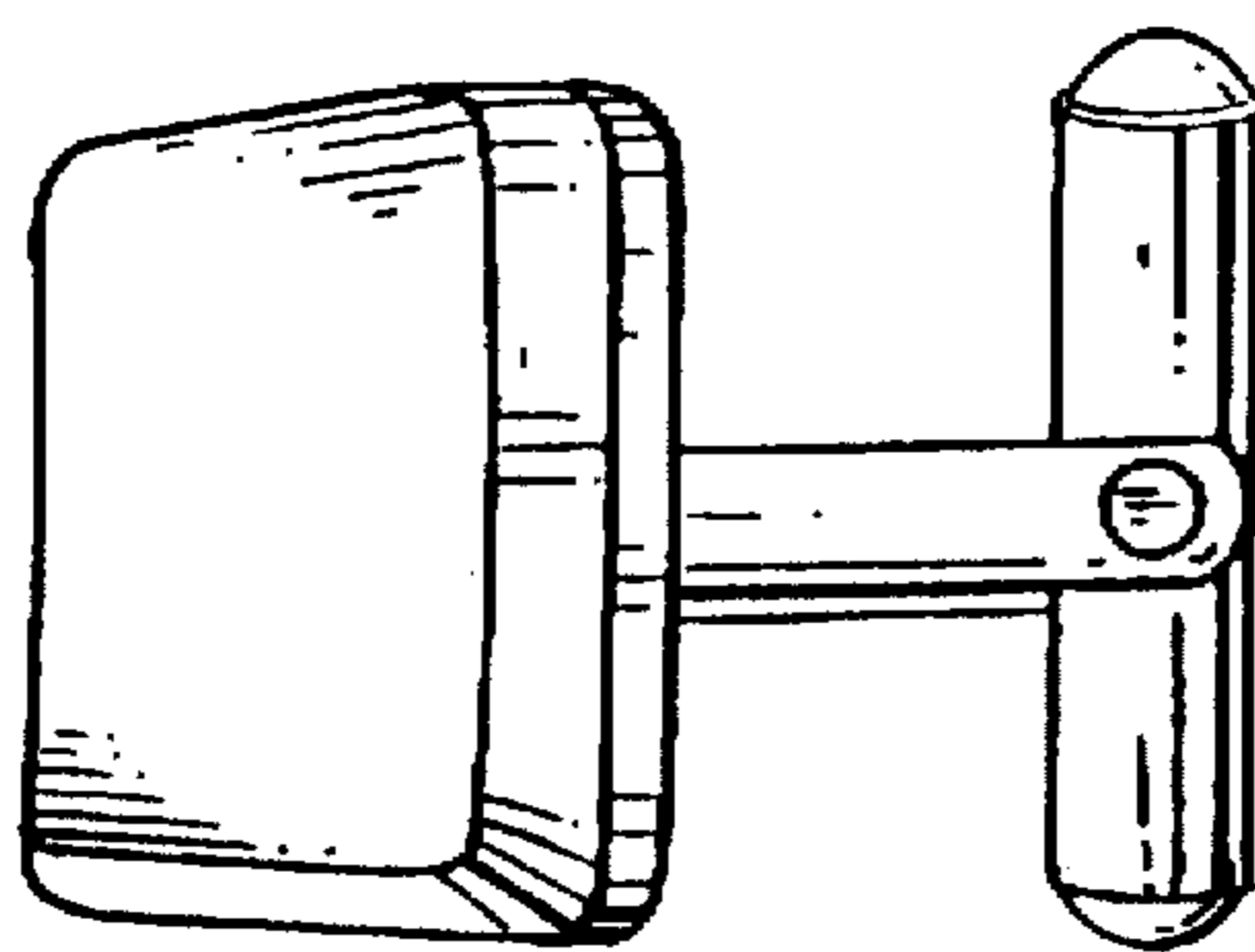


FIG. 5

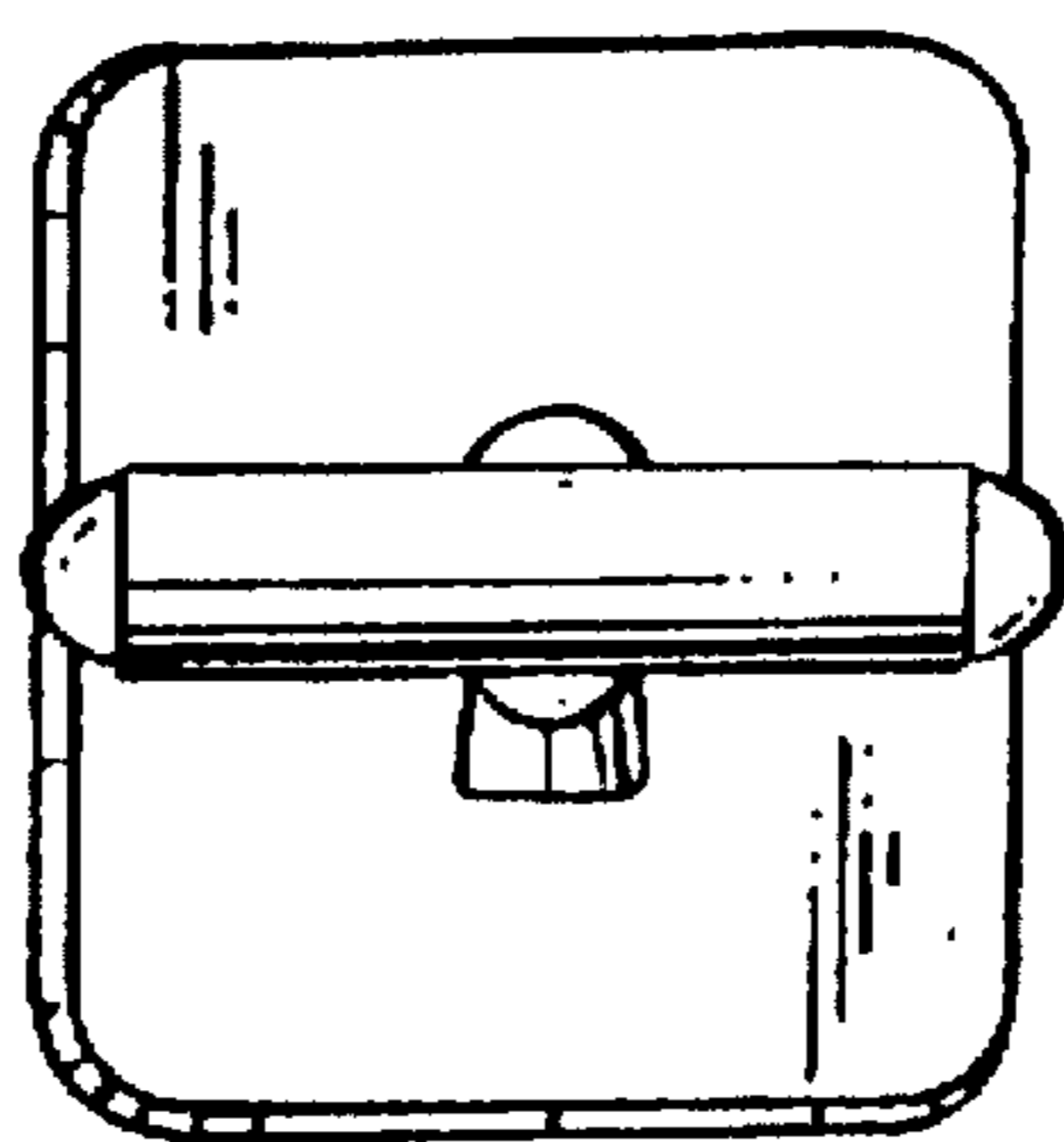


FIG. 6