



US00D397063S

United States Patent [19]

[11] Patent Number: Des. 397,063

Woellert et al.

[45] Date of Patent: **Aug. 18, 1998

[54] BUCKLE WITH WEB ADJUSTER

Attorney, Agent, or Firm—Woodard, Emhardt, Naughton, Moriarty & McNett

[75] Inventors: **Thomas P. Woellert**, Indianapolis;
James R. Anthony, Carmel, both of Ind.

[57] CLAIM

[73] Assignee: **Indiana Mills and Manufacturing, Inc.**, Westfield, Ind.

The ornamental design for a buckle with web adjuster, as shown and described.

[**] Term: 14 Years

DESCRIPTION

[21] Appl. No.: 72,807

FIG. 1 is a perspective view of a buckle with web adjuster showing my new design;

[22] Filed: Jun. 30, 1997

FIG. 2 is a plan view;

[51] LOC (6) Cl. 02-07

FIG. 3 is a right side view with the opposite side view being a mirror image thereof;

[52] U.S. Cl. D11/216

[58] Field of Search D11/200, 201,
D11/215-218; 24/163 R, 196, 625, 633,
616, 650

FIG. 4 is a rear view;

FIG. 5 is a top view;

FIG. 6 is a bottom view;

[56] References Cited

FIG. 7 is perspective view of a buckle with web adjuster showing a second embodiment of my new design;

U.S. PATENT DOCUMENTS

D. 364,124	11/1995	Lortz et al.	D11/216
D. 385,826	11/1997	Anscher	D11/216
3,566,455	3/1971	Kuszynski	24/63
4,282,634	8/1981	Krauss	24/641
5,267,377	12/1993	Gillis et al.	24/641
5,551,131	9/1996	Anscher	24/614

FIG. 8 is a plan view of the buckle of FIG. 7;

FIG. 9 is a right side view of the buckle of FIG. 7 with the opposite side view being a mirror image thereof;

FIG. 10 is a rear view of the buckle of FIG. 7;

FIG. 11 is a top view of the buckle of FIG. 7; and,

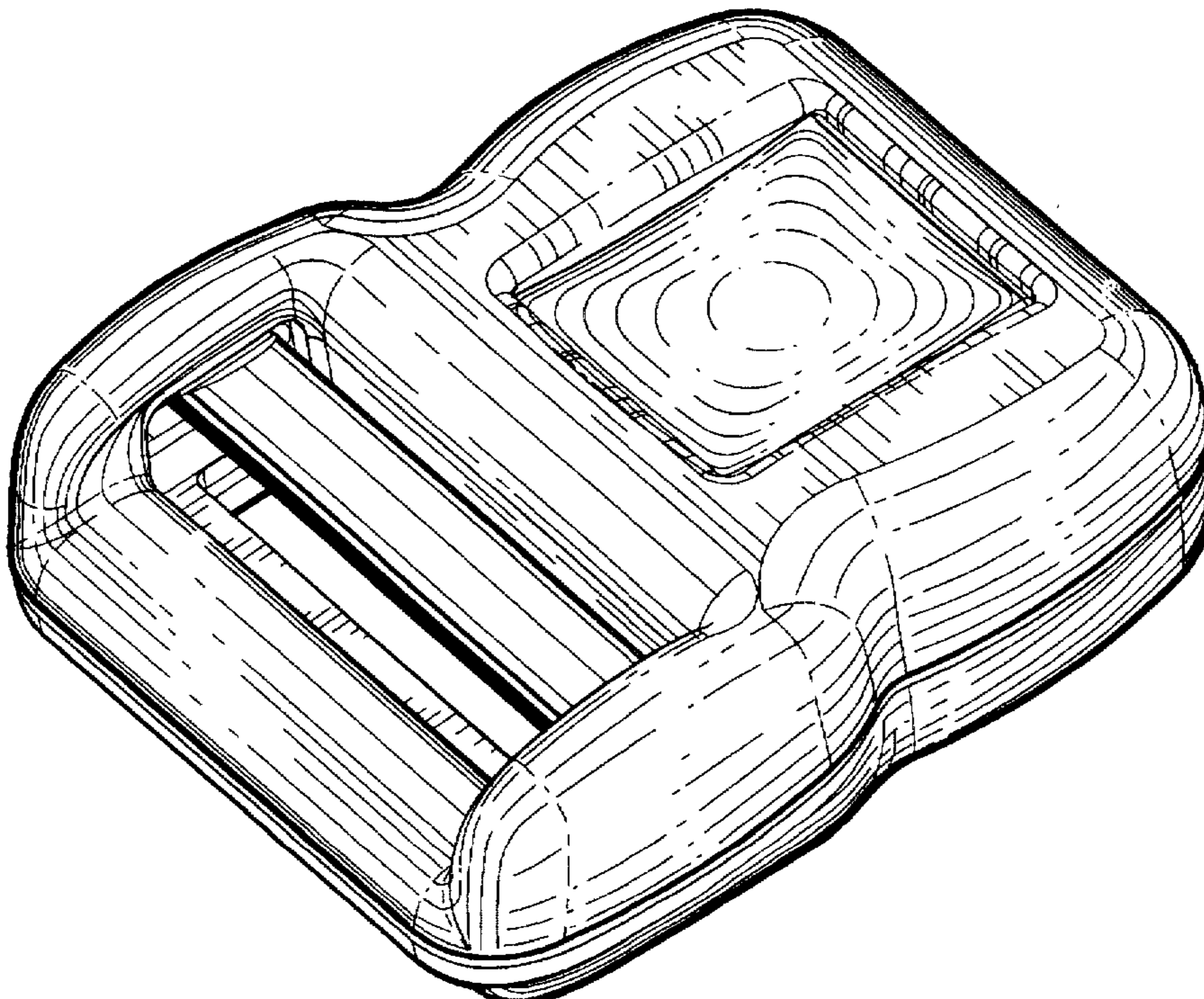
FIG. 12 is a bottom view of the buckle of FIG. 7.

OTHER PUBLICATIONS

U.S. application No. 08/695,122, Anthony, filed Aug. 5, 1996.

Primary Examiner—Ralf Seifert

1 Claim, 6 Drawing Sheets



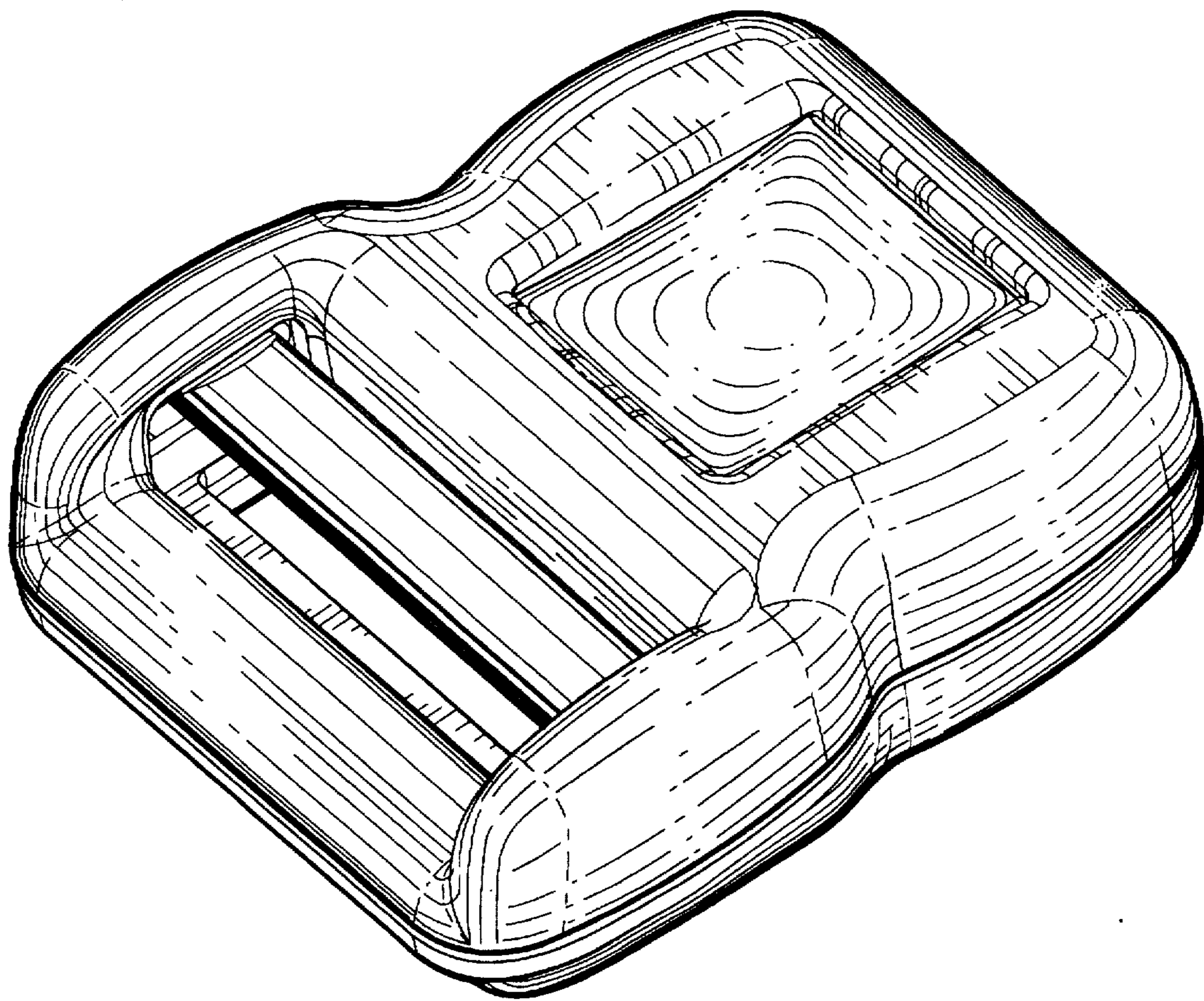


Fig. 1

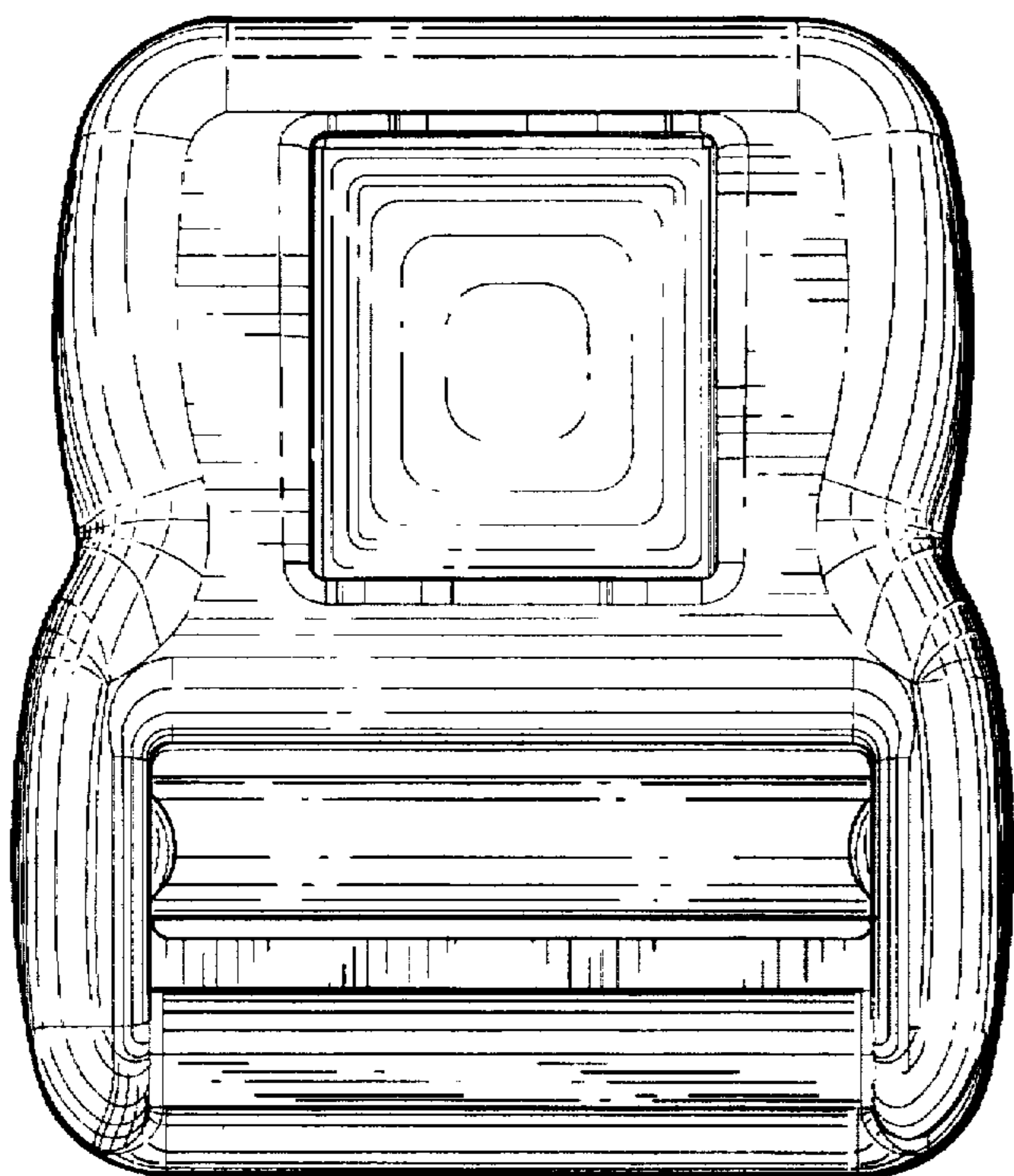


Fig. 2

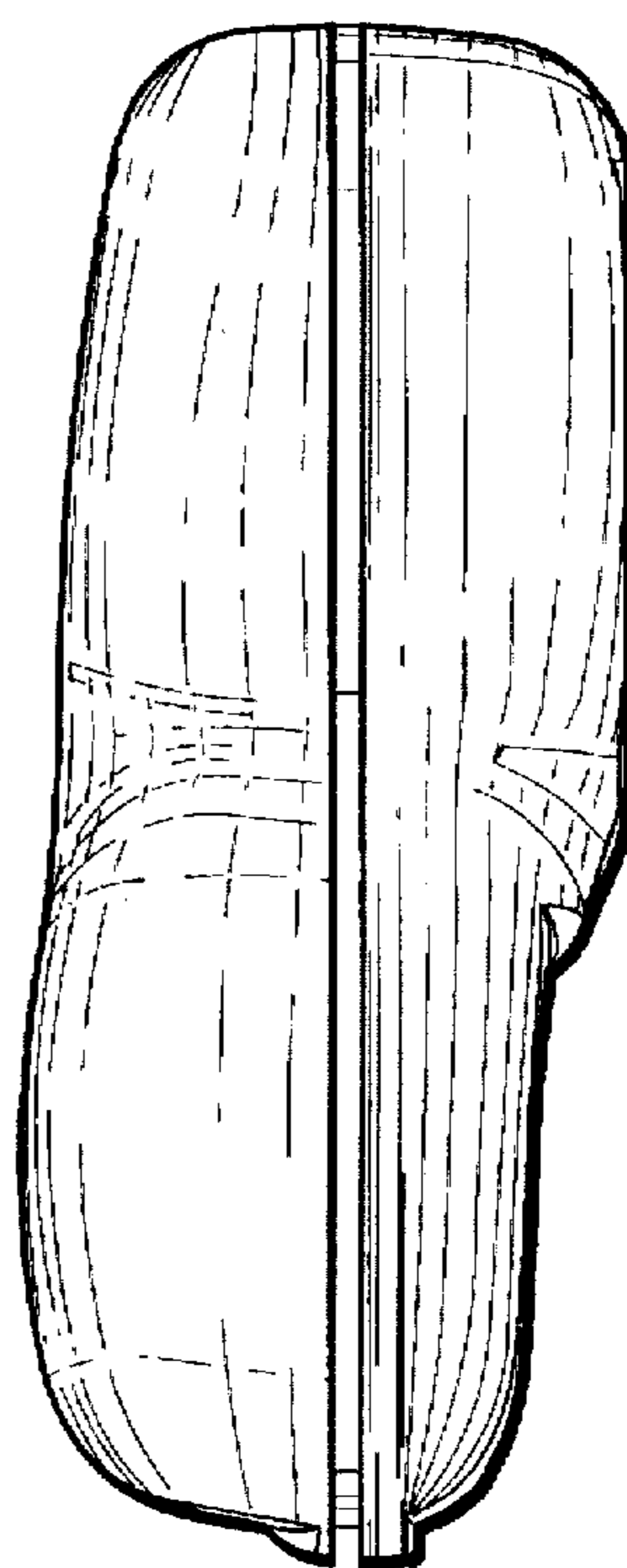


Fig. 3

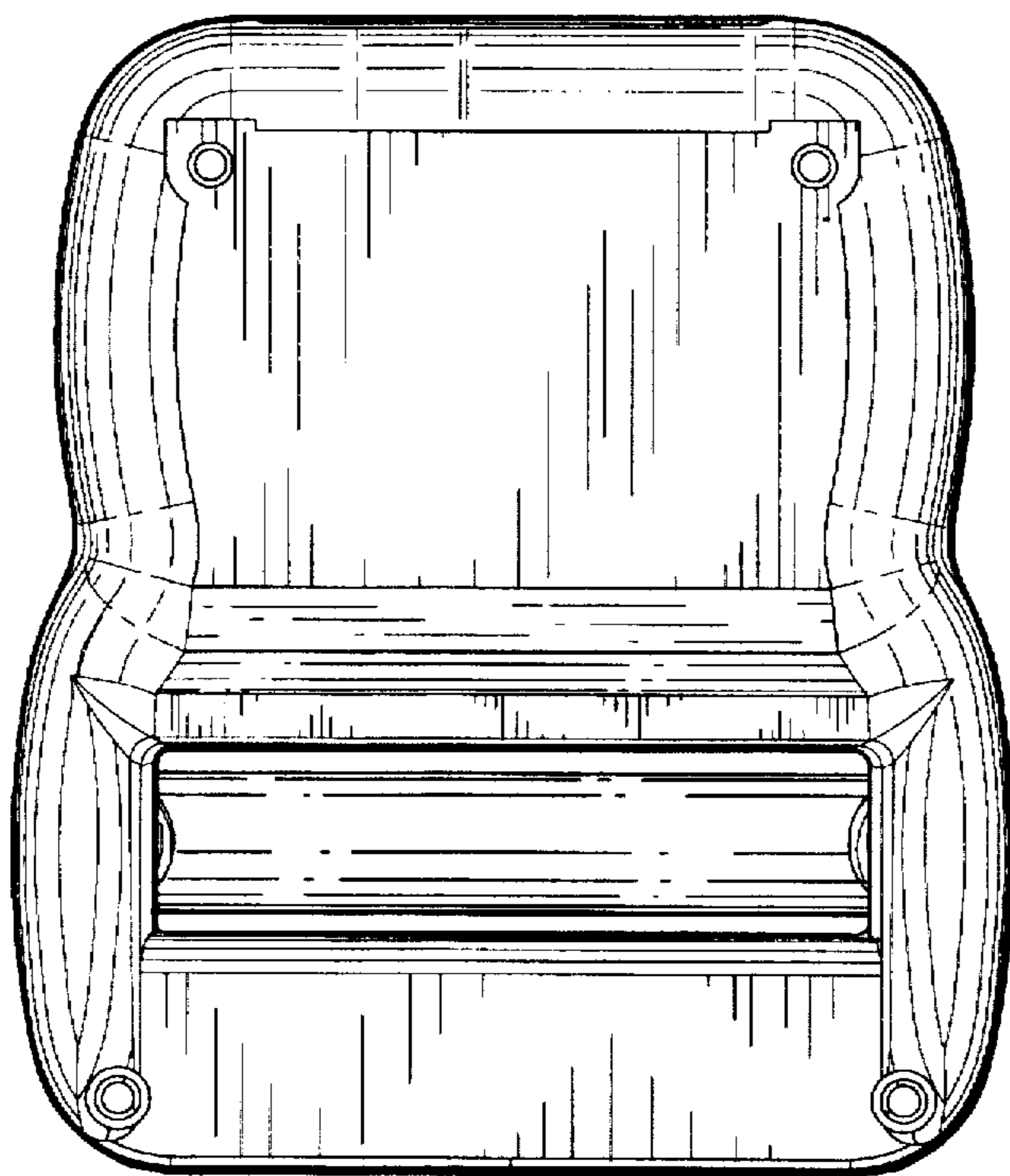


Fig. 4

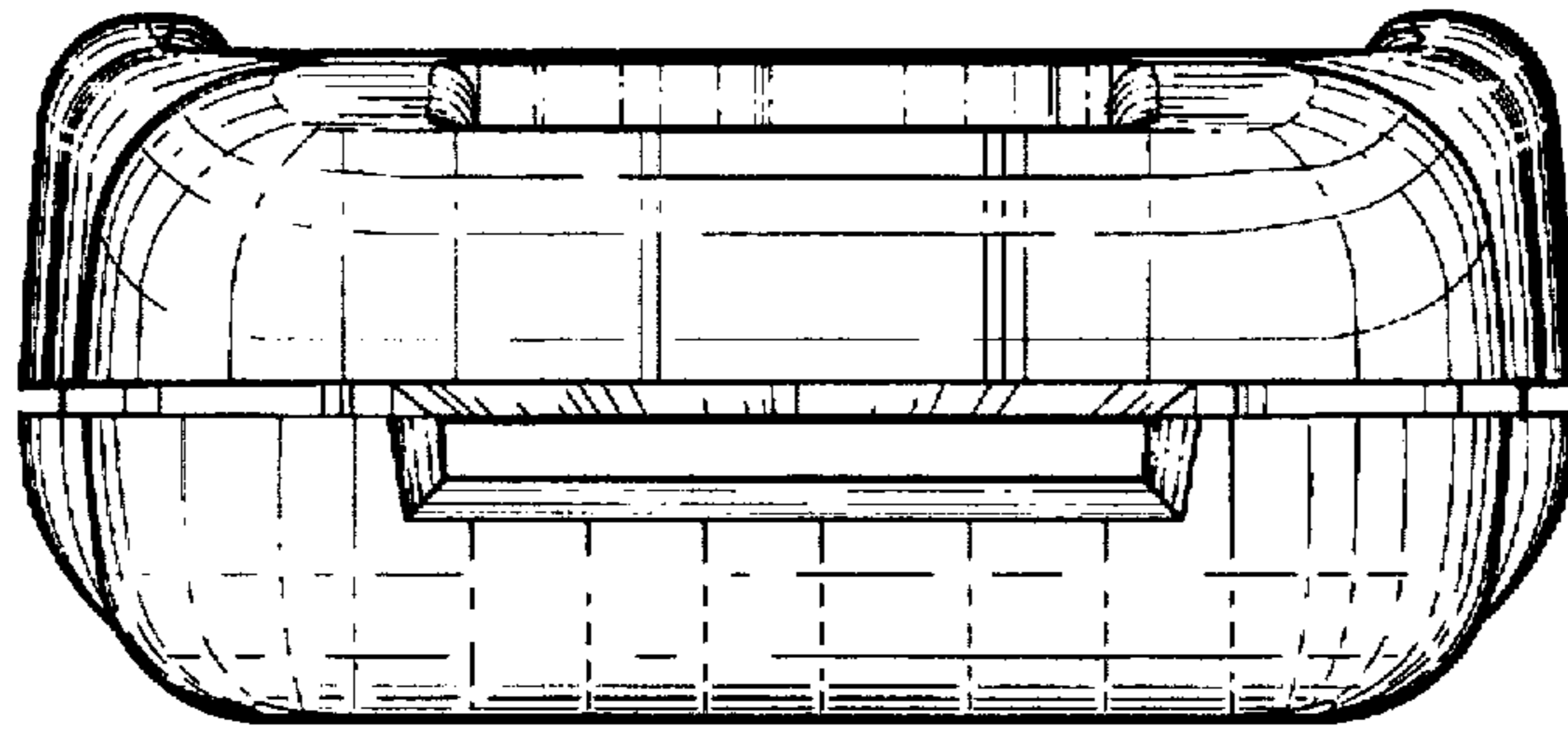


Fig. 5

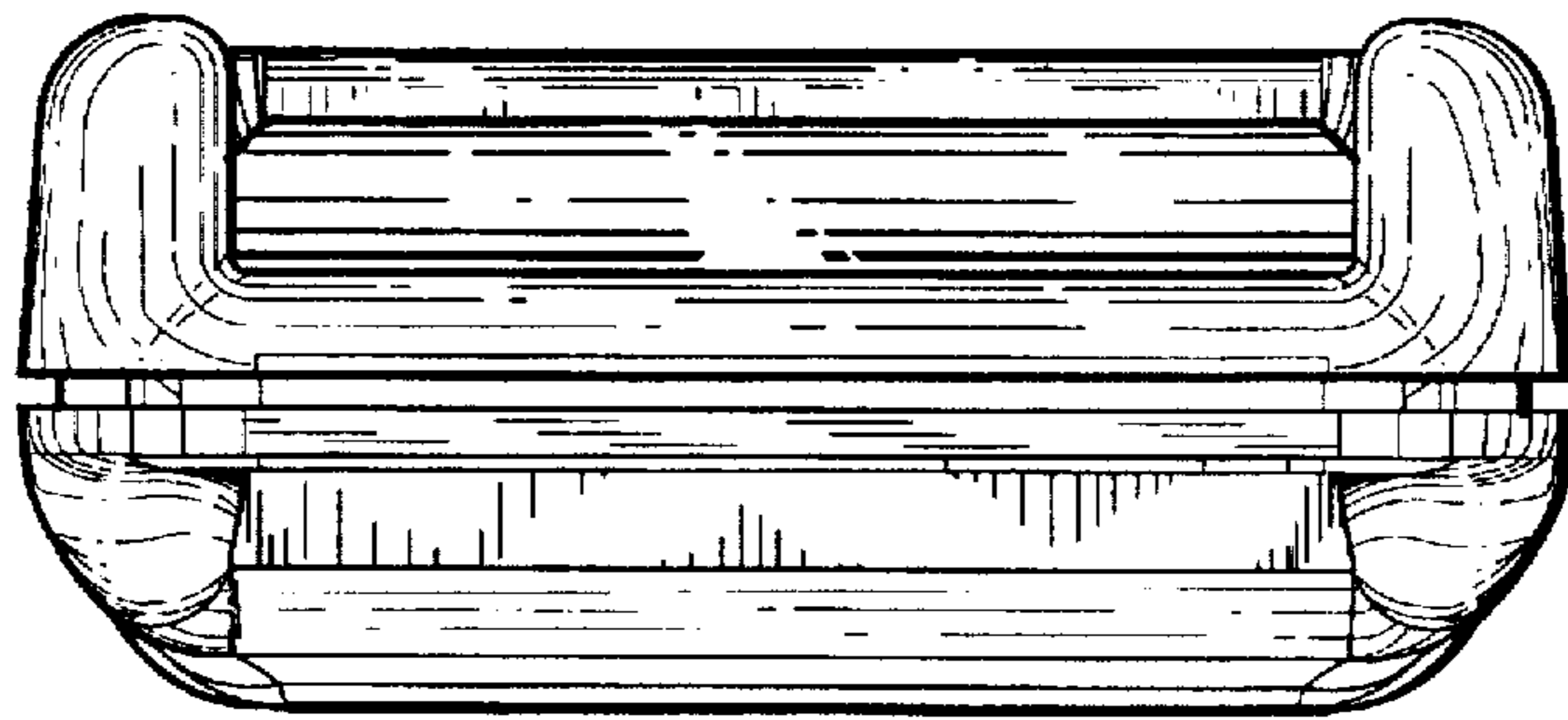


Fig. 6

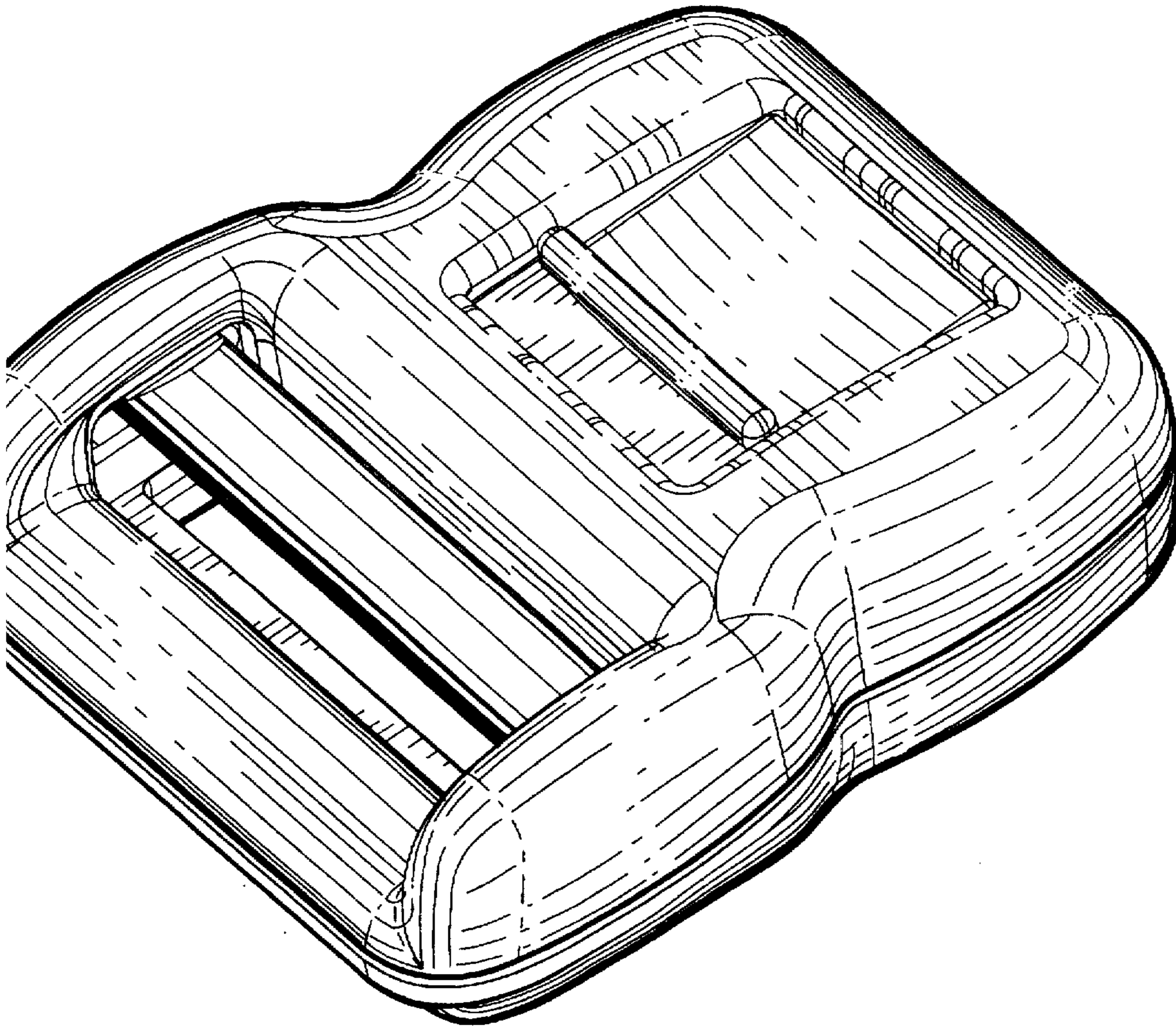


Fig. 7

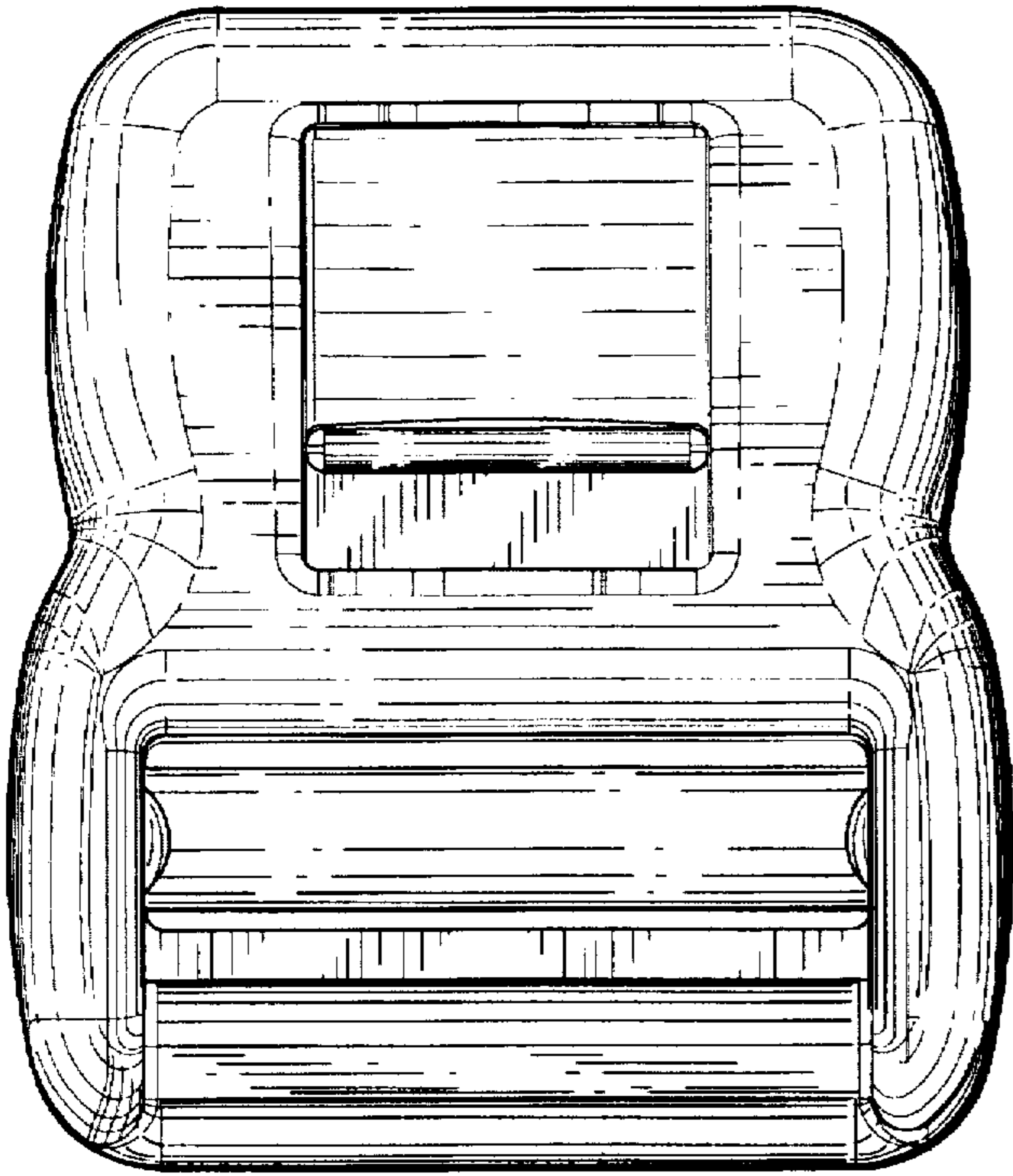


Fig. 8

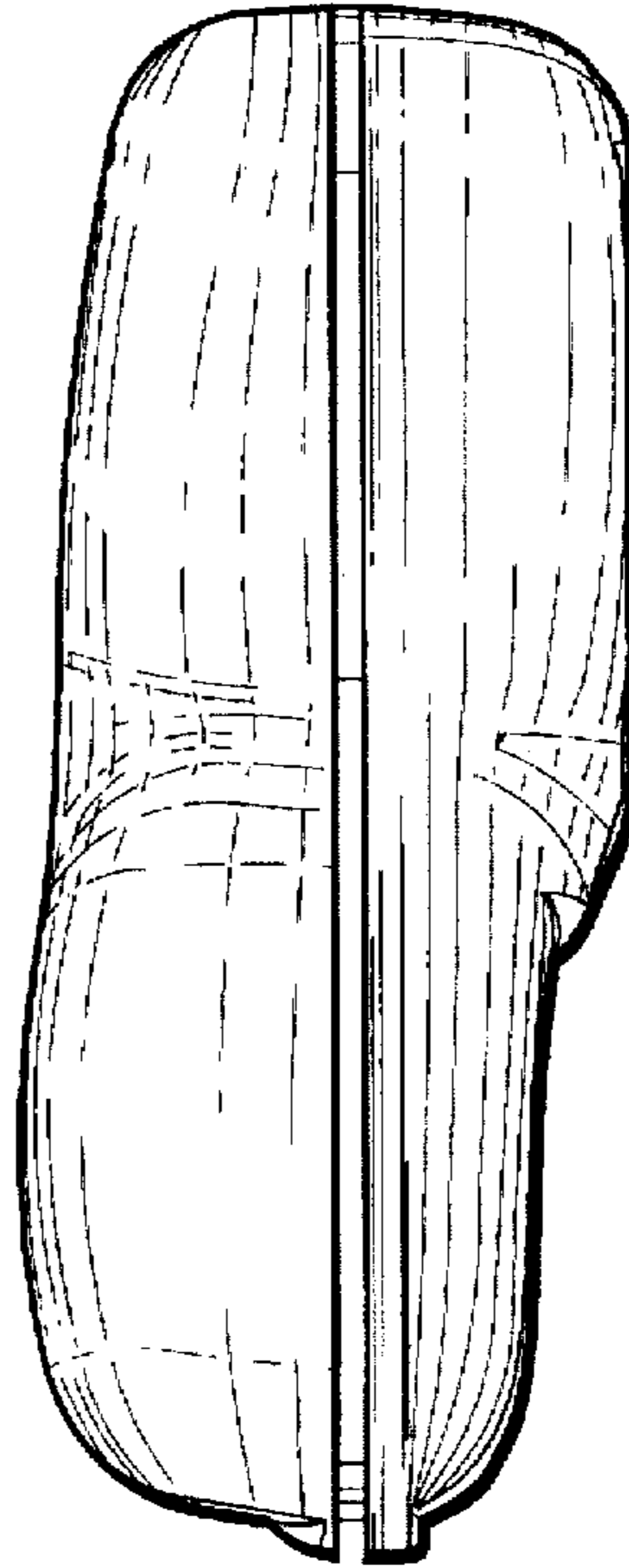


Fig. 9

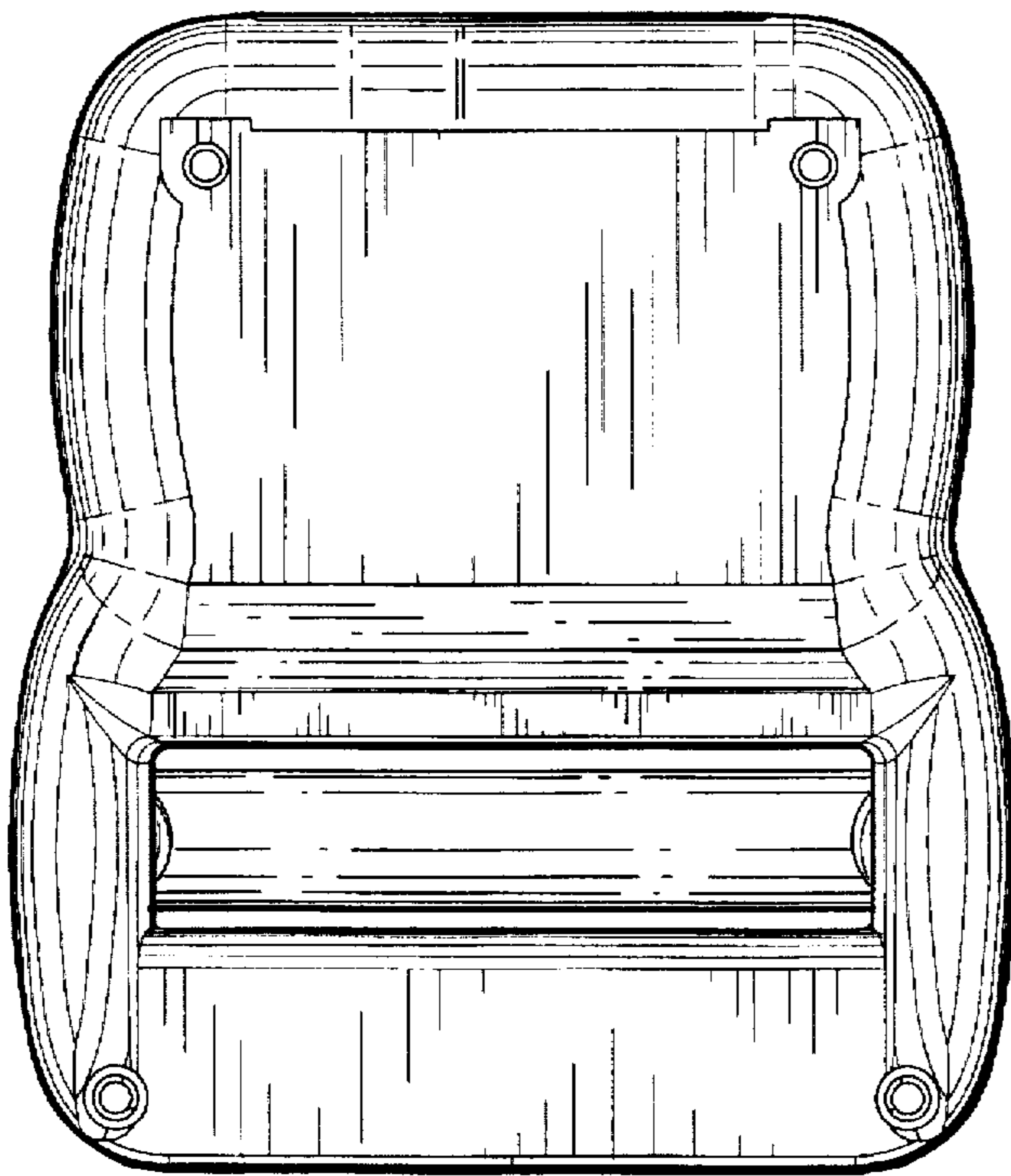


Fig. 10

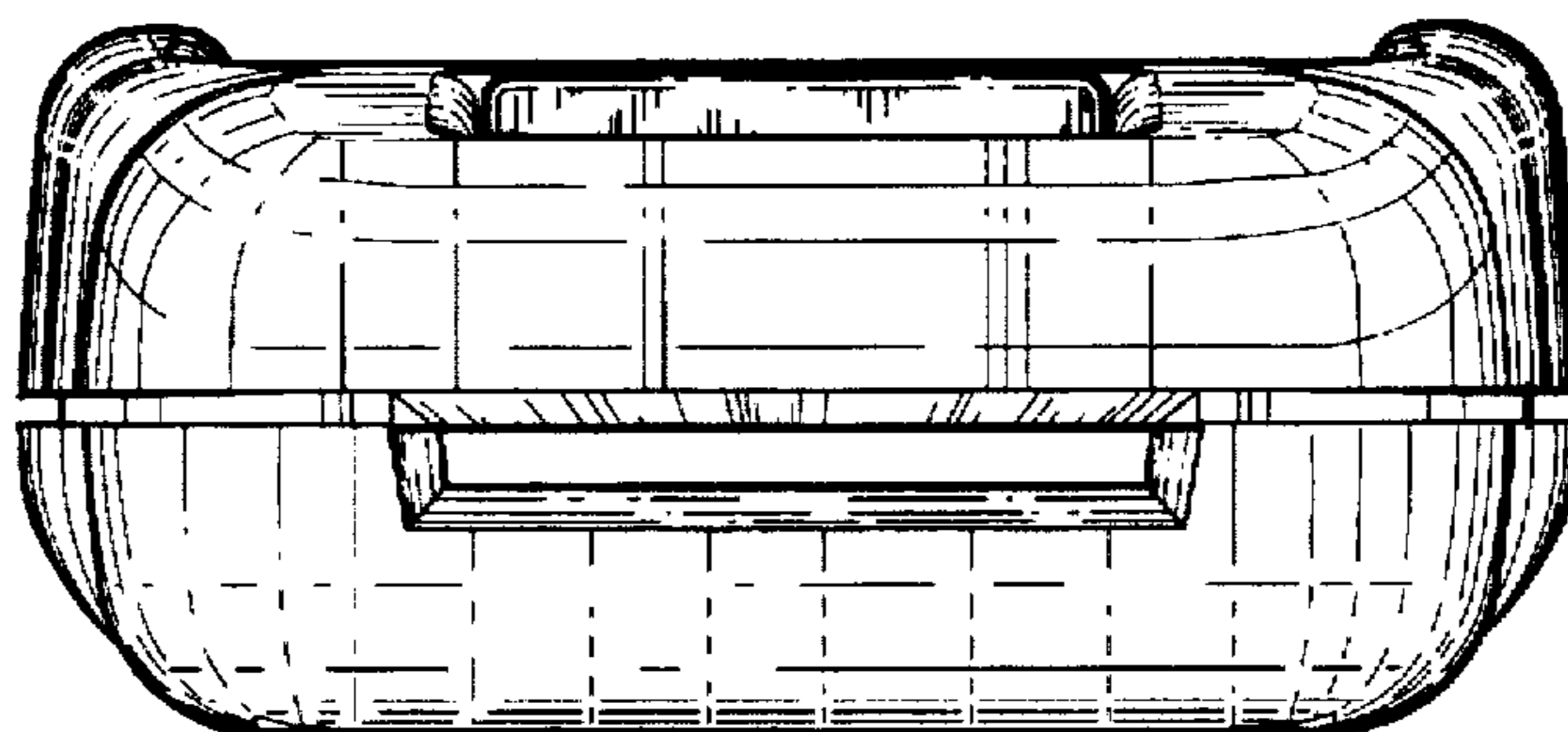


Fig. 11

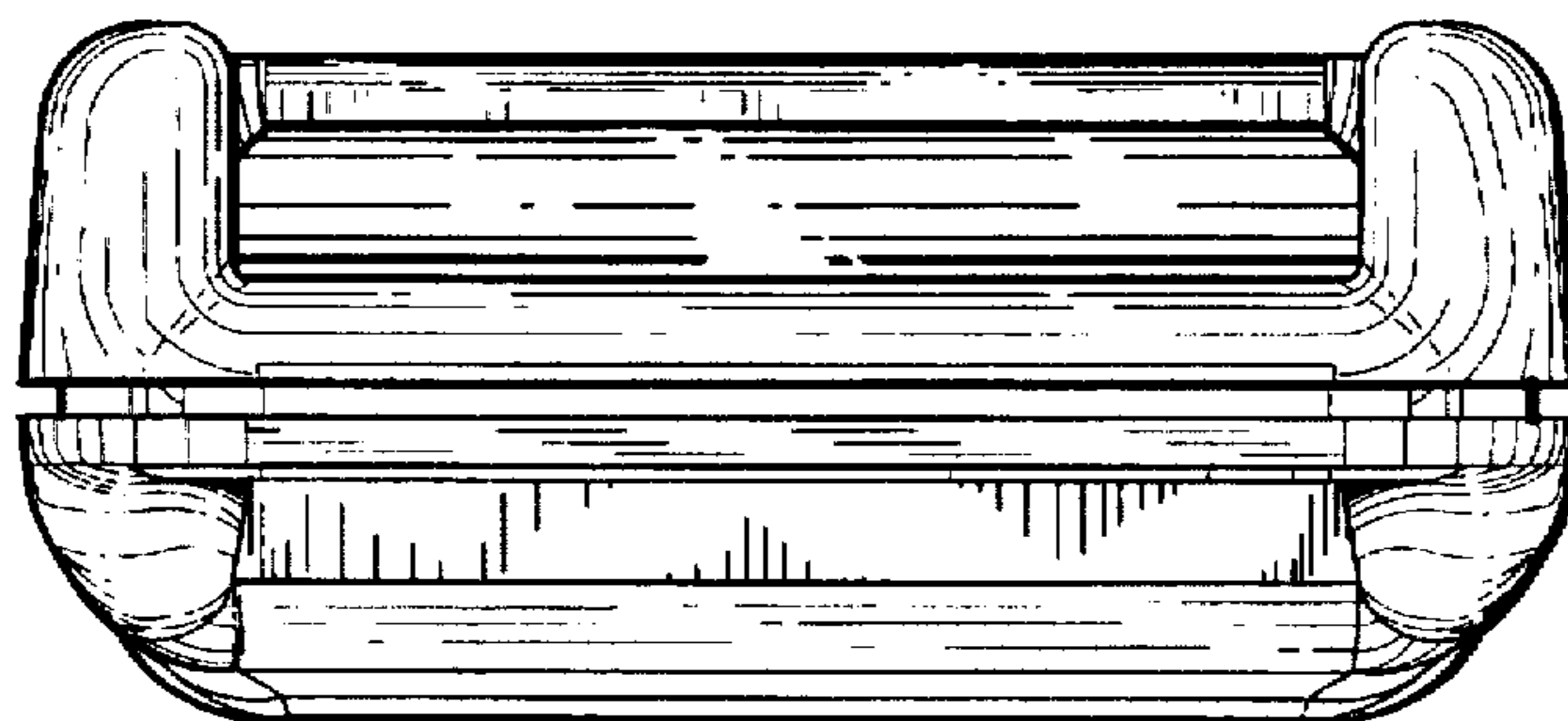


Fig. 12