



US00D397062S

United States Patent [19]
Hollington

[11] **Patent Number: Des. 397,062**

[45] **Date of Patent: **Aug. 18, 1998**

[54] **CONTAINER BASE**

[75] **Inventor: Geoff Hollington, London, England**

[73] **Assignee: Design Ideas, Ltd., Springfield, Ill.**

[**] **Term: 14 Years**

[21] **Appl. No.: 72,586**

[22] **Filed: Jun. 23, 1997**

Related U.S. Application Data

[62] **Division of Ser. No. 48,611, Jan. 5, 1996, abandoned.**

[51] **LOC (6) Cl. 11-02**

[52] **U.S. Cl. D11/164**

[58] **Field of Search D11/143, 145,
D11/146, 152-154; D7/500, 509, 511, 523,
532, 584; D9/341, 418, 501, 516, 537,
538, 559; 47/66, 69, 41.01; 206/370, 372,
373, 376, 392, 393, 395, 423; 248/27.8;
D30/121, 129, 132, 133**

[56] **References Cited**

U.S. PATENT DOCUMENTS

D. 95,903 6/1935 Fenton D7/523

D. 287,204 12/1986 Bierlein et al. D7/523
D. 289,143 4/1987 Guillaume D9/341 X
D. 313,176 12/1990 Okuda et al. D9/341
D. 376,979 12/1996 Davidson, III D9/341 X

Primary Examiner—Caron D. Veynar
Attorney, Agent, or Firm—Saidman Design Law Group

[57] **CLAIM**

The ornamental design for a container base, as shown and described.

DESCRIPTION

FIG. 1 is a perspective view of a container base showing my new design;

FIG. 2 is a front view in elevation thereof;

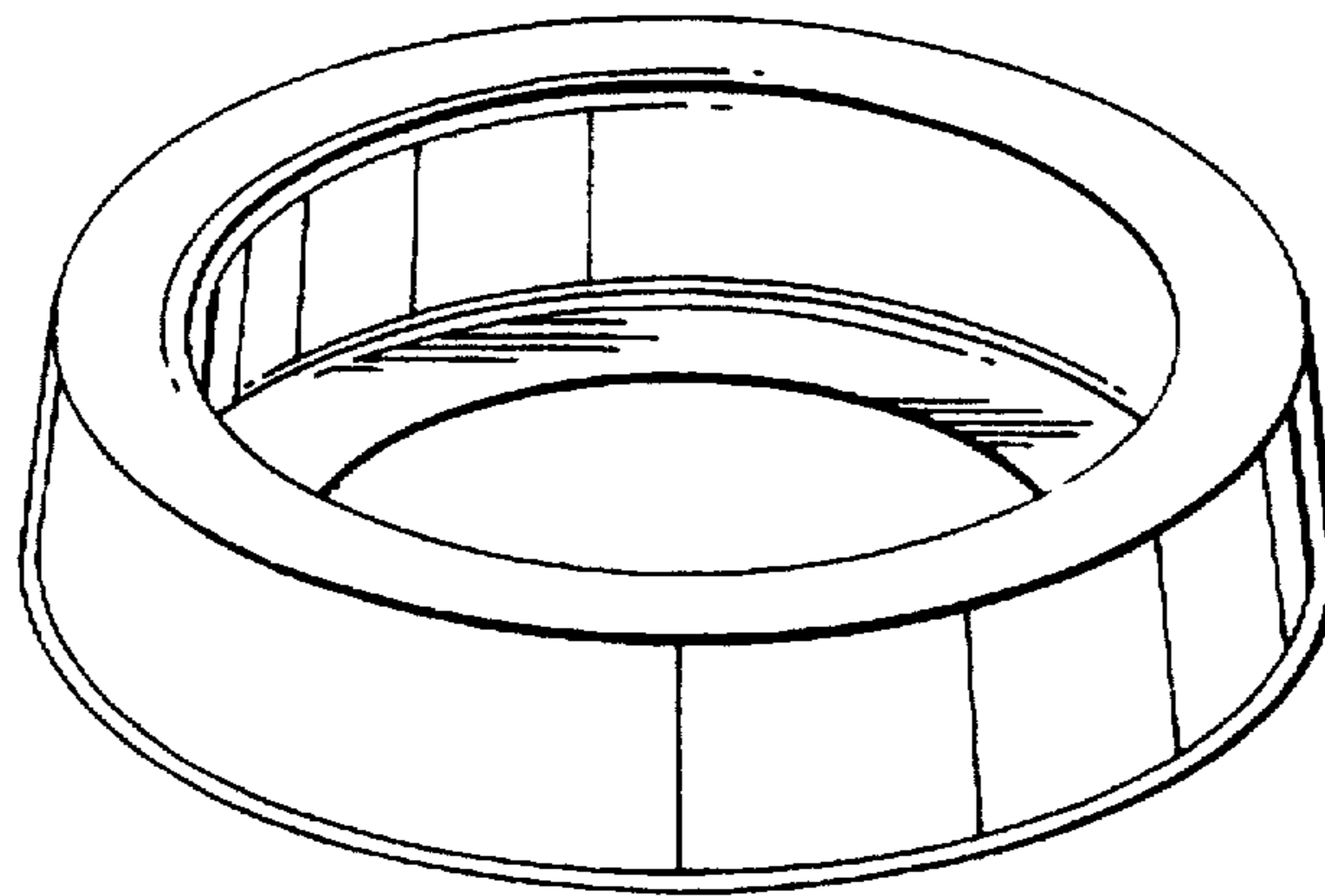
FIG. 3 is a top view thereof;

FIG. 4 is a bottom view thereof; and,

FIG. 5 is a sectional view thereof taken along line 5—5 of FIG. 4.

The broken lines in FIG. 2 represent the originally claimed vase which now forms no part of the claimed design.

1 Claim, 2 Drawing Sheets



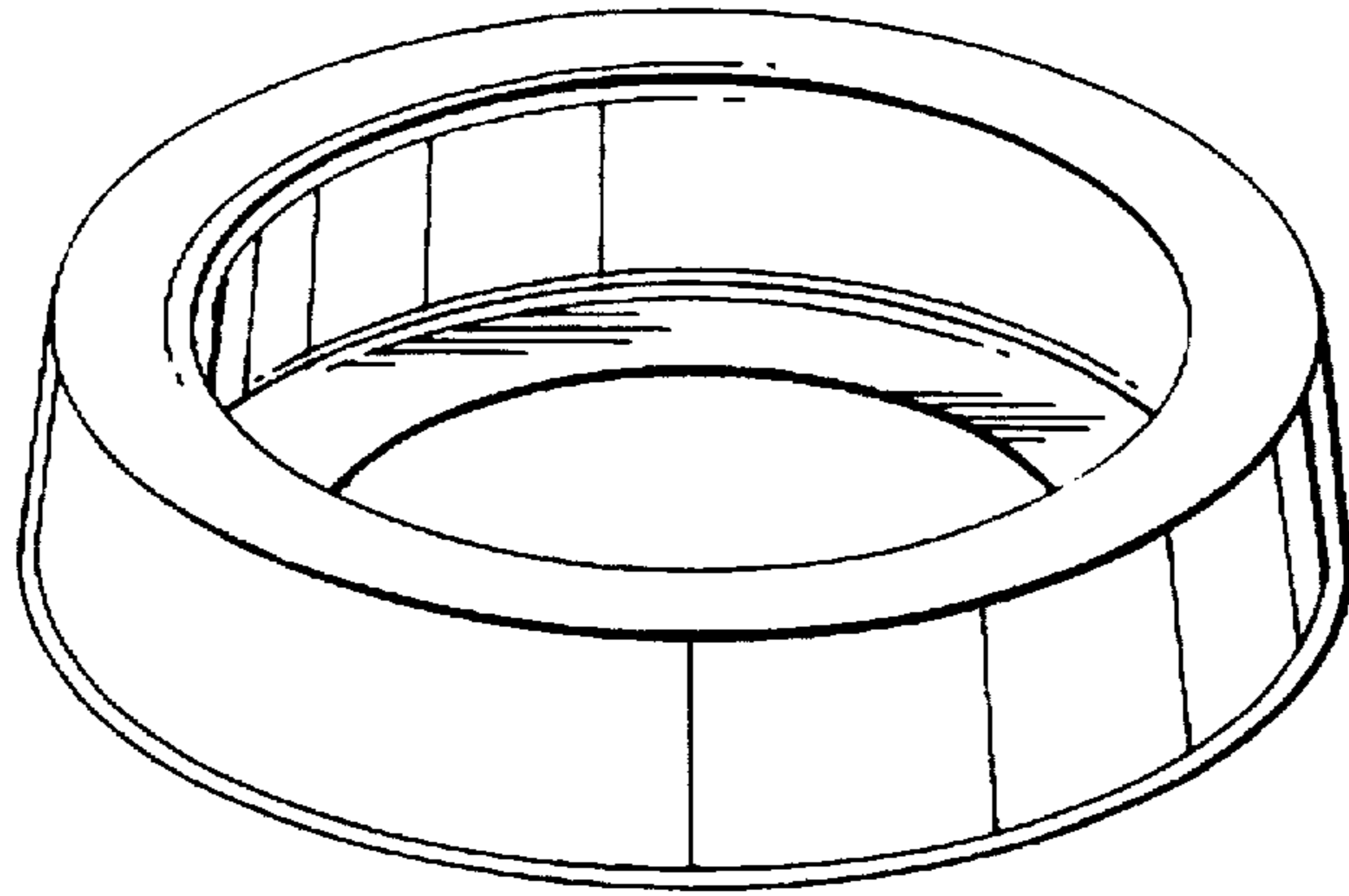


FIG. 1

FIG. 2

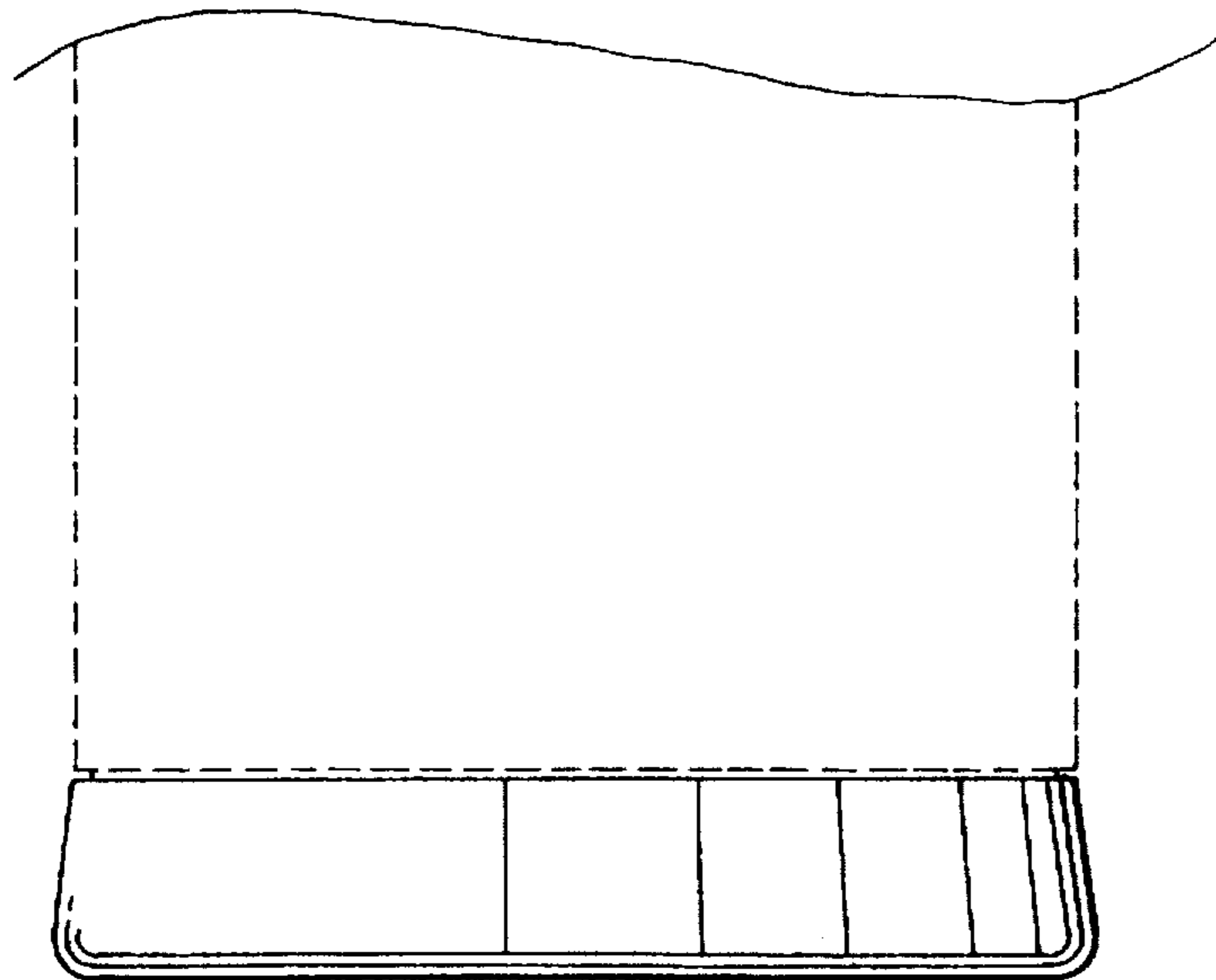


FIG. 3

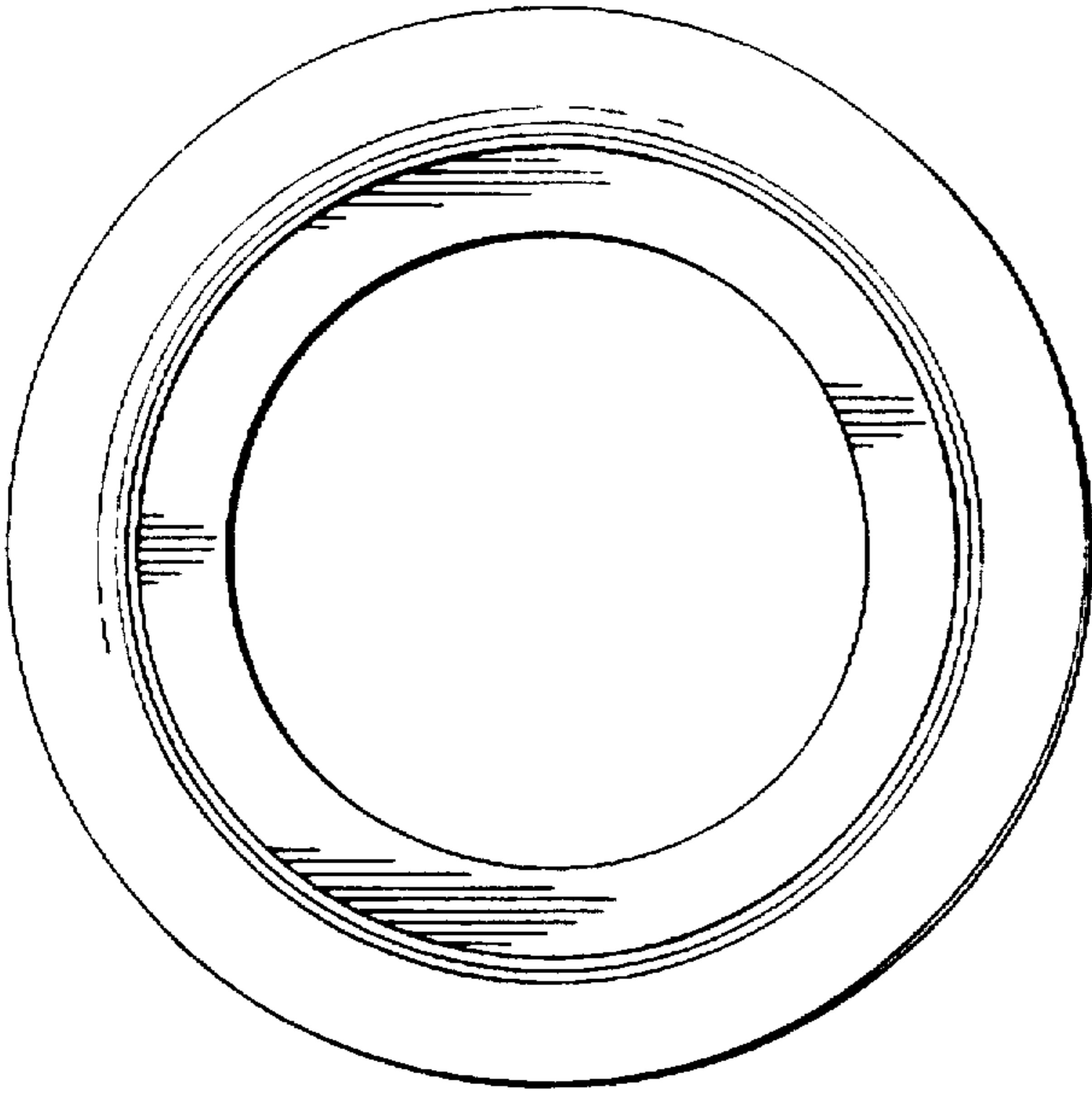


FIG. 4

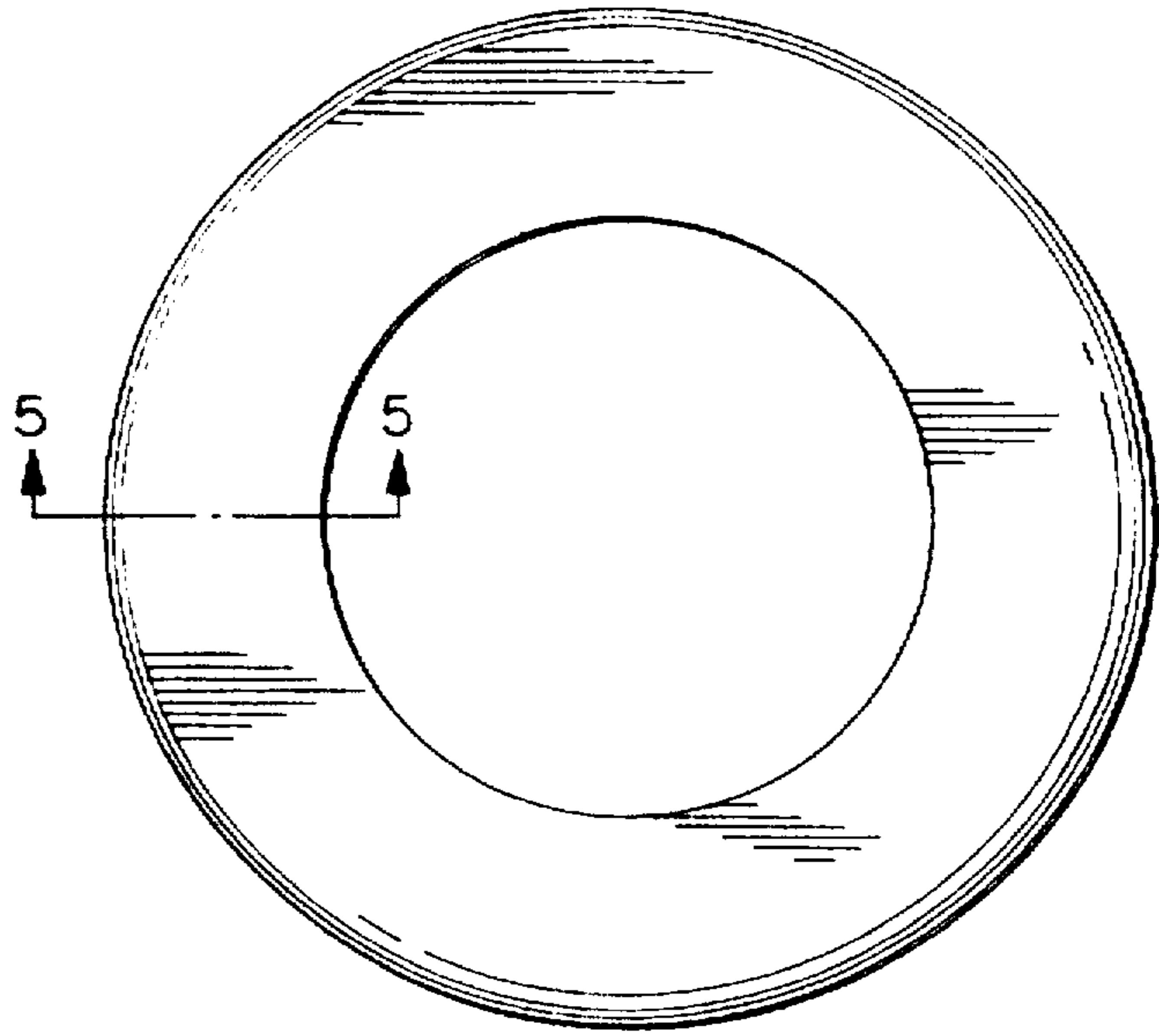


FIG. 5

