



US00D397061S

United States Patent [19] Wright

[11] Patent Number: Des. 397,061

[45] Date of Patent: **Aug. 18, 1998

[54] TREE STAND

[75] Inventor: Daniel L. Wright, Sausalito, Calif.

[73] Assignee: Richmond Engineering, San Diego, Calif.

[**] Term: 14 Years

[21] Appl. No.: 77,814

[22] Filed: Oct. 14, 1997

[51] LOC (6) Cl. 11-05

[52] U.S. Cl. D11/130.1

[58] Field of Search D11/130.1; 47/40.5

[56] **References Cited**

U.S. PATENT DOCUMENTS

D. 168,379	12/1952	Scanland	D11/130.1
D. 193,864	10/1962	Austenson	D11/130.1
D. 292,392	10/1987	Breen	D11/130.1
D. 374,195	10/1996	Wright et al.	D11/130.1
1,481,015	1/1924	Klein	47/40.5 X
1,943,269	1/1934	Holden	47/40.5 X
2,522,156	9/1950	Balmer	47/40.5
2,821,353	1/1958	Hasenohrl	47/40.5 X
3,697,026	10/1972	Hambnick	47/40.55 X

Primary Examiner—Dominic Simone
Attorney, Agent, or Firm—Harris Zimmerman

[57] **CLAIM**

The ornamental design for a tree stand, as shown and described.

DESCRIPTION

FIG. 1 is a perspective view of a tree stand showing my new design;

FIG. 2 is a top plan view;

FIG. 3 is a front elevational view;

FIG. 4 is a right side view, the left side view being a mirror image thereof;

FIG. 5 is a rear elevational view;

FIG. 6 is a bottom plan view;

FIG. 7 is a perspective view of a second embodiment of the invention;

FIG. 8 is a top plan view thereof;

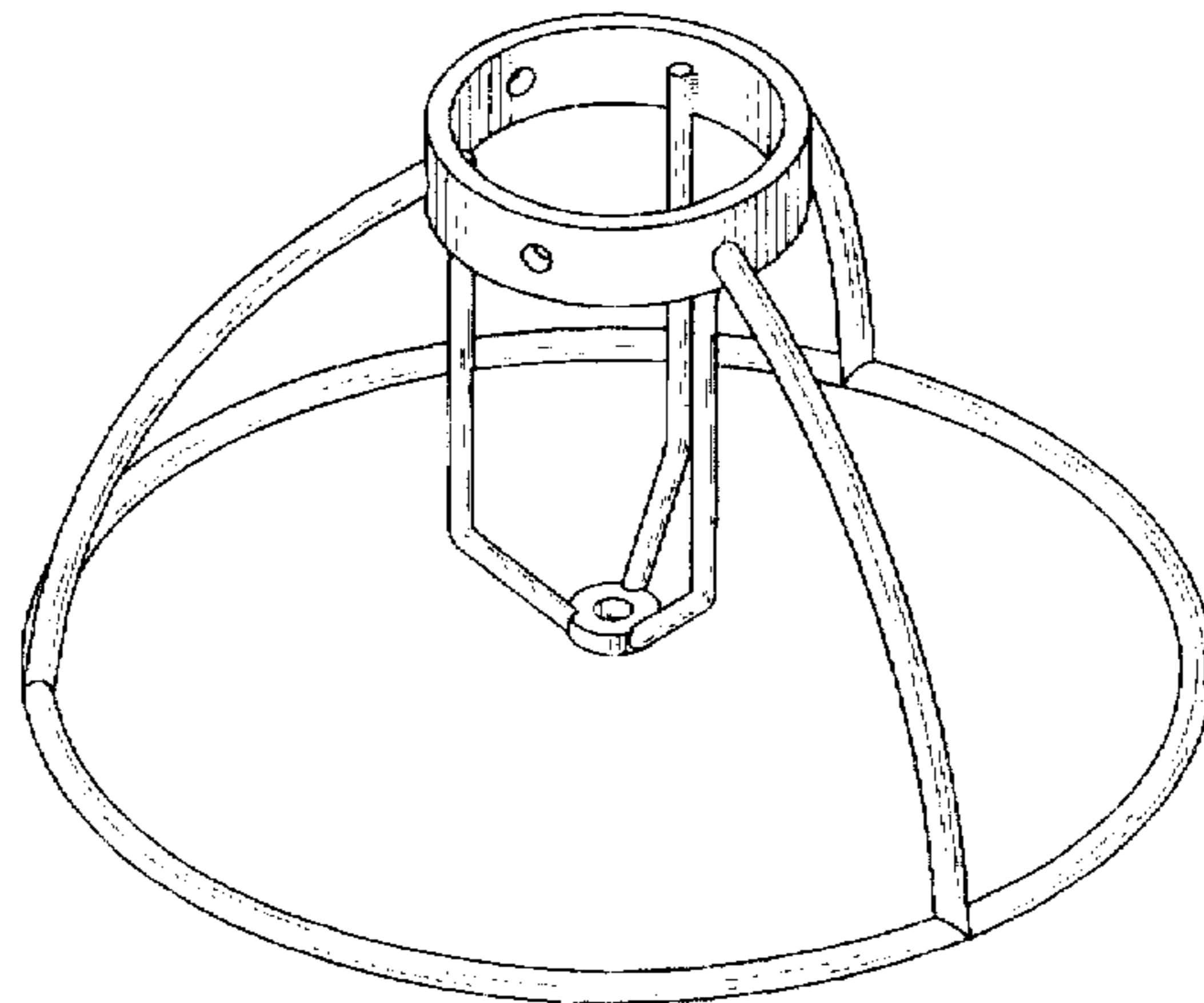
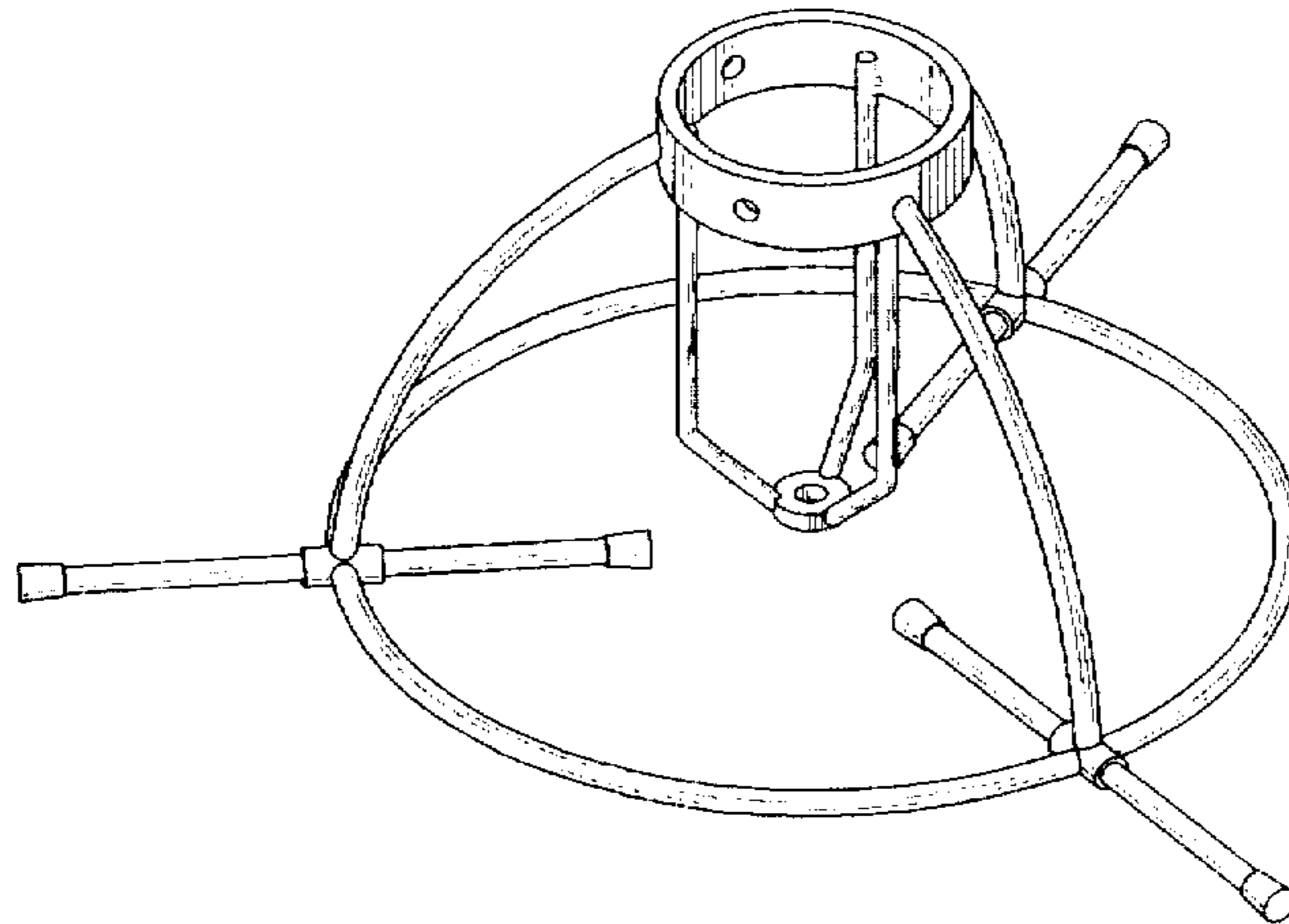
FIG. 9 is a front elevational view thereof;

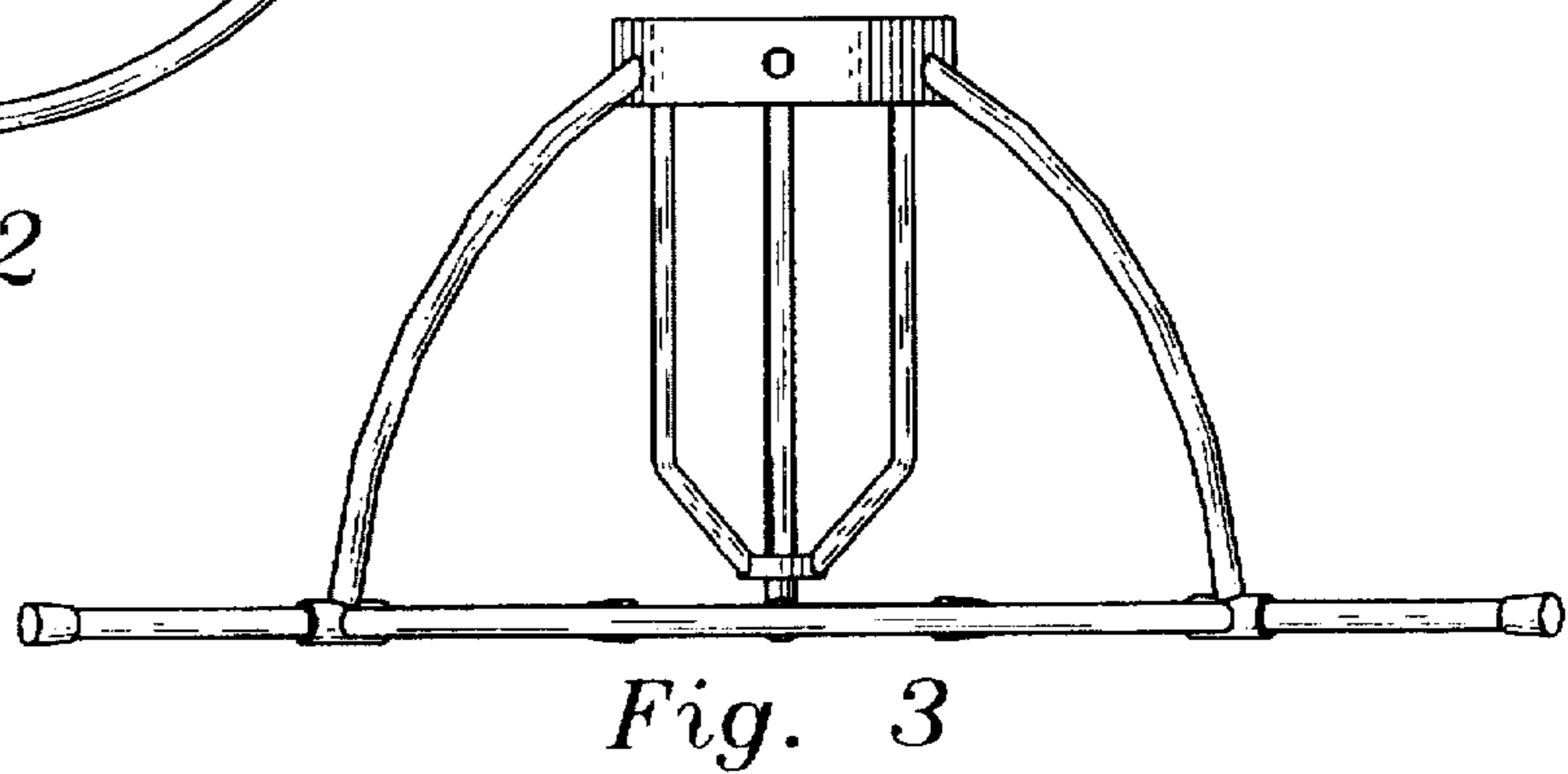
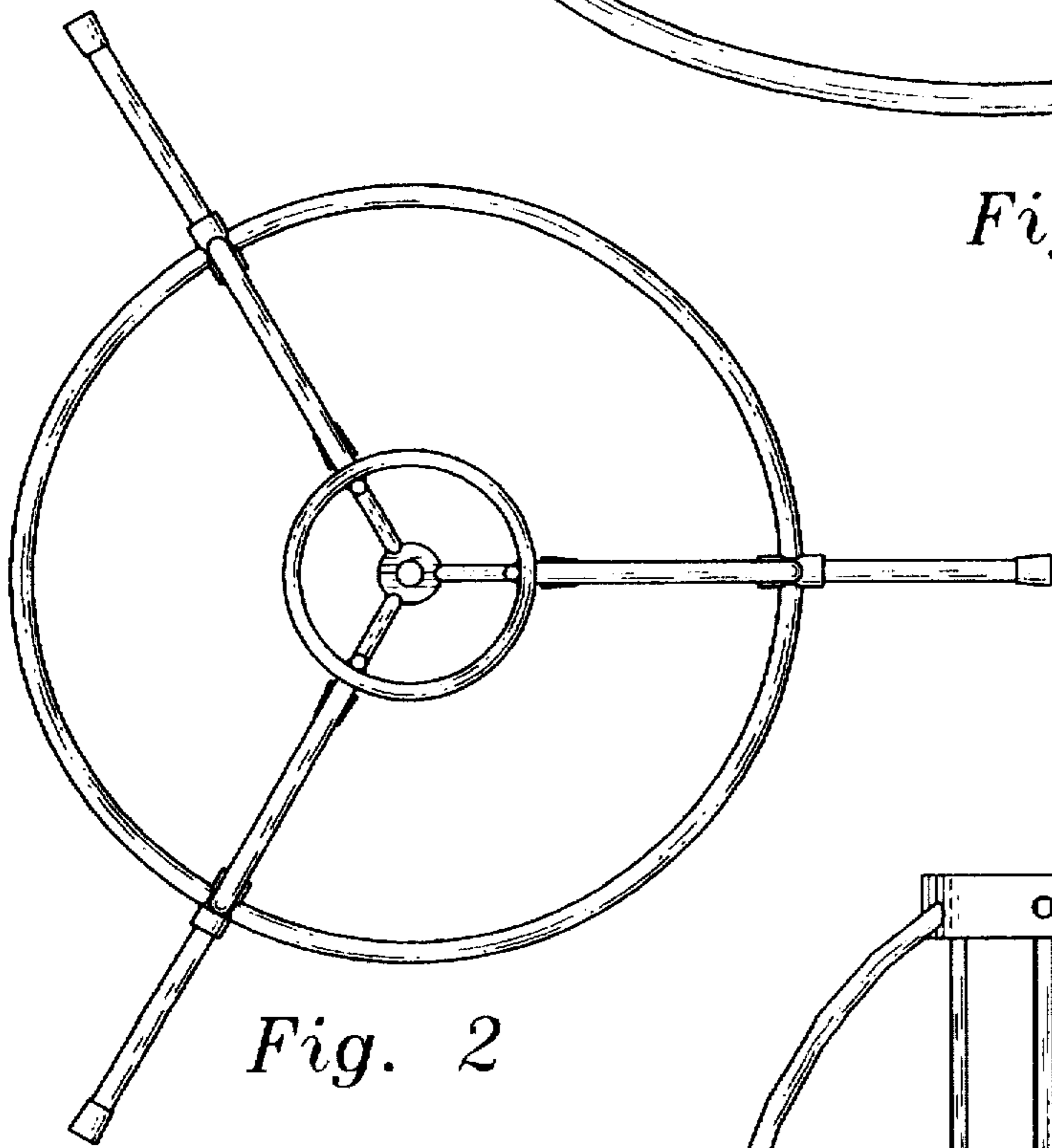
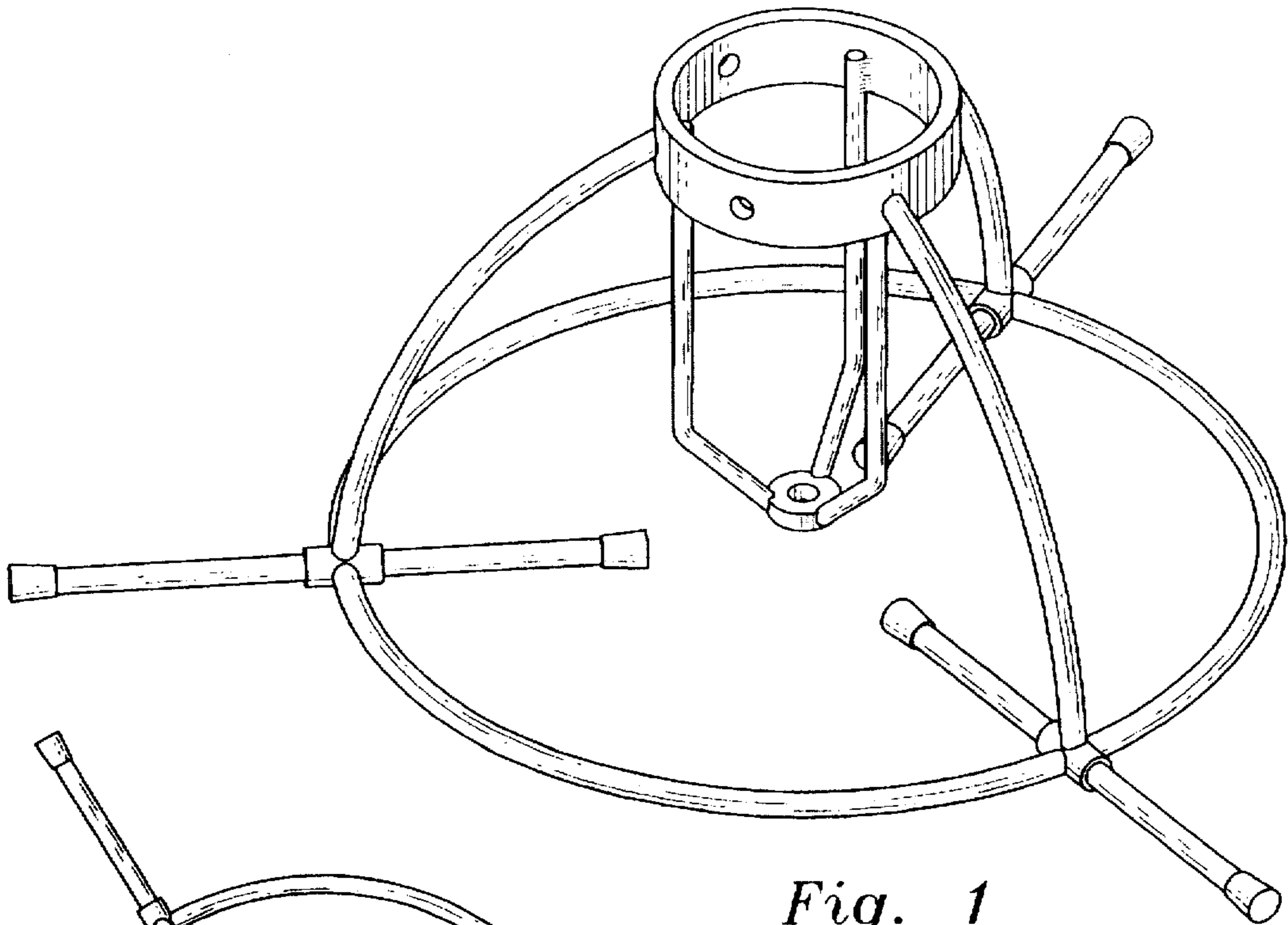
FIG. 10 is a right side view, the left side view being a mirror image thereof;

FIG. 11 is a rear elevational view; and,

FIG. 12 is a bottom plan view.

1 Claim, 4 Drawing Sheets





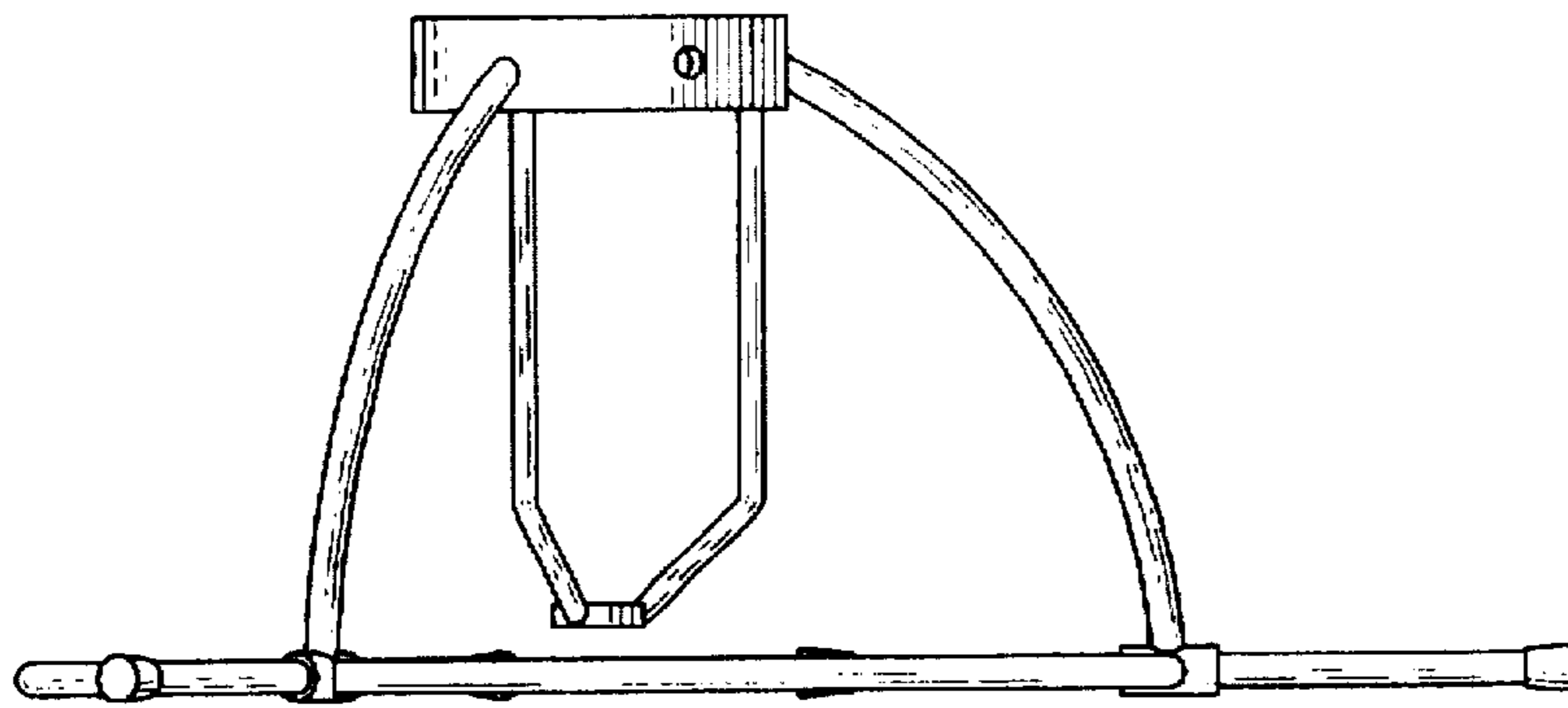


Fig. 4

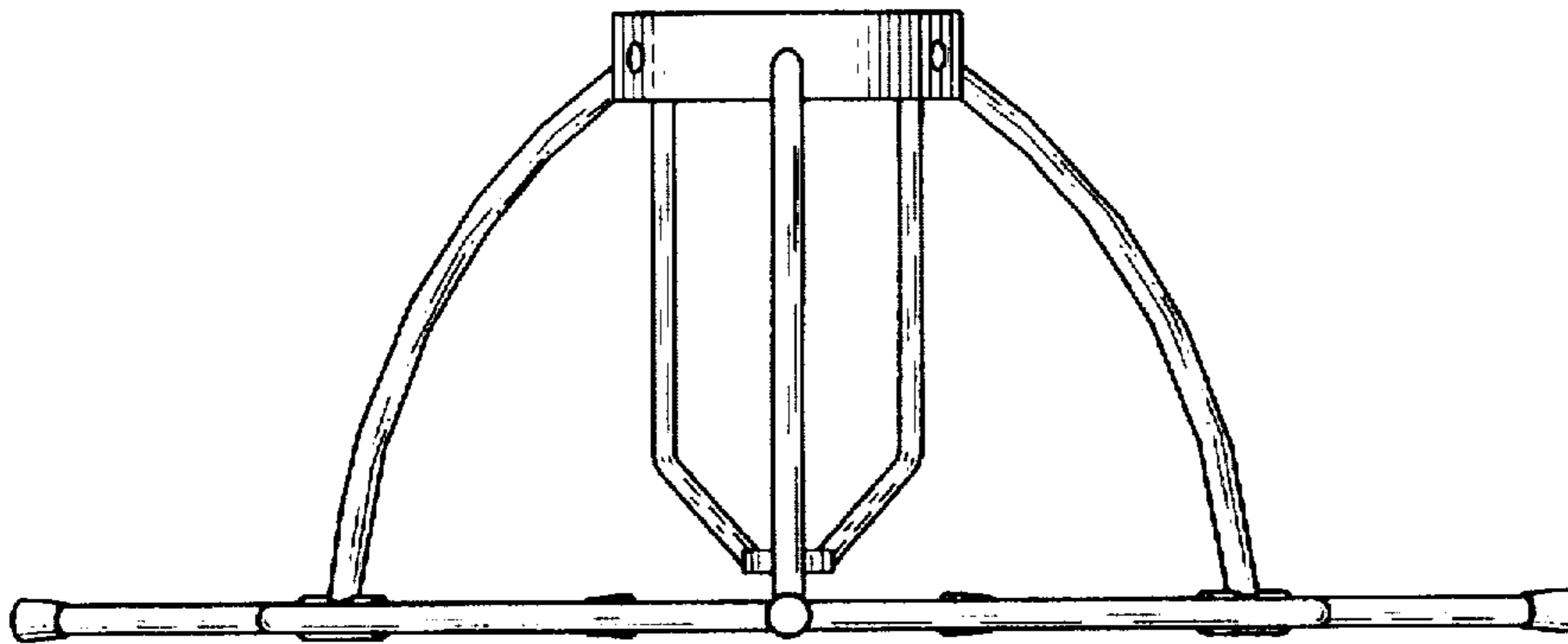


Fig. 5

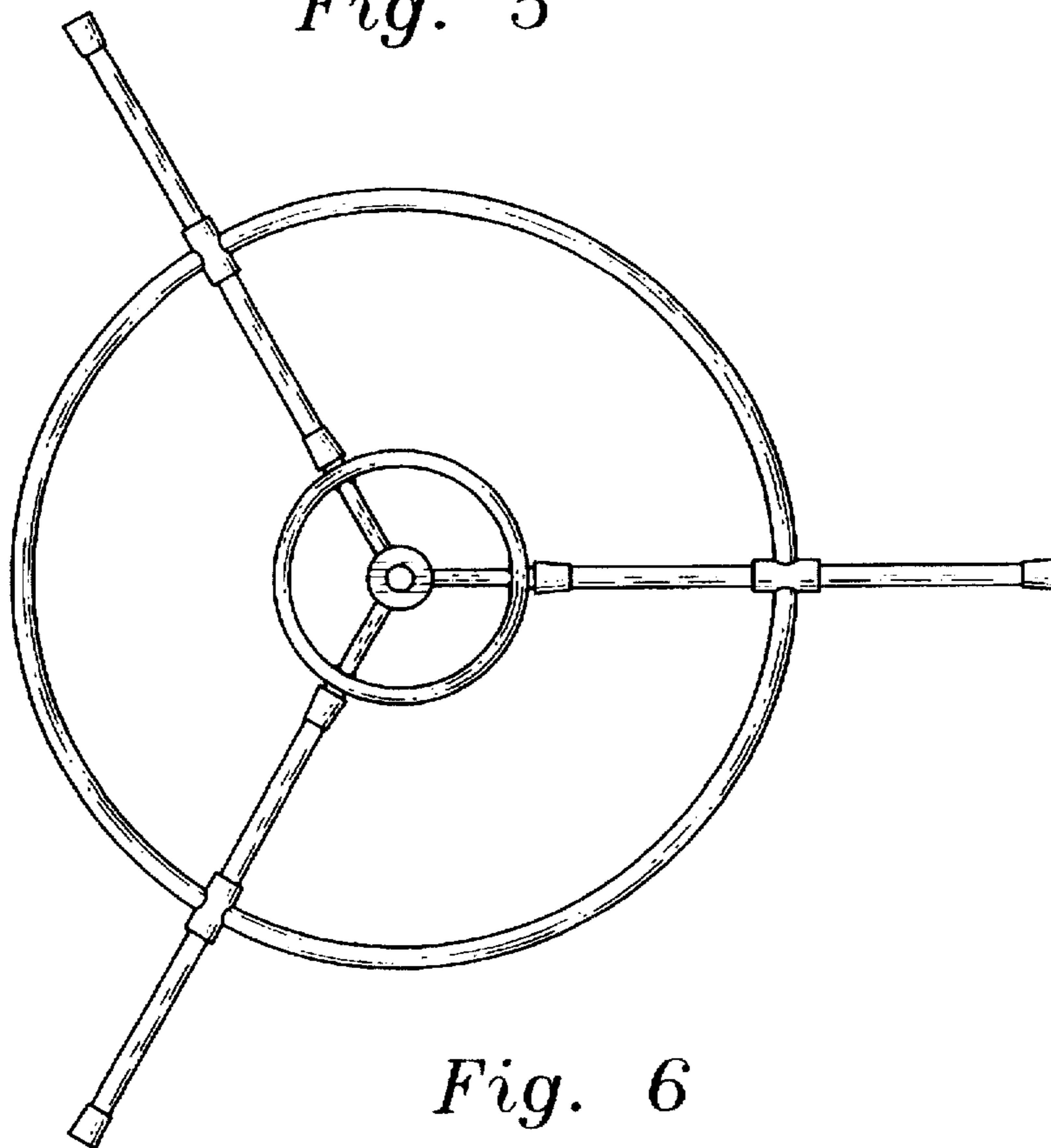


Fig. 6

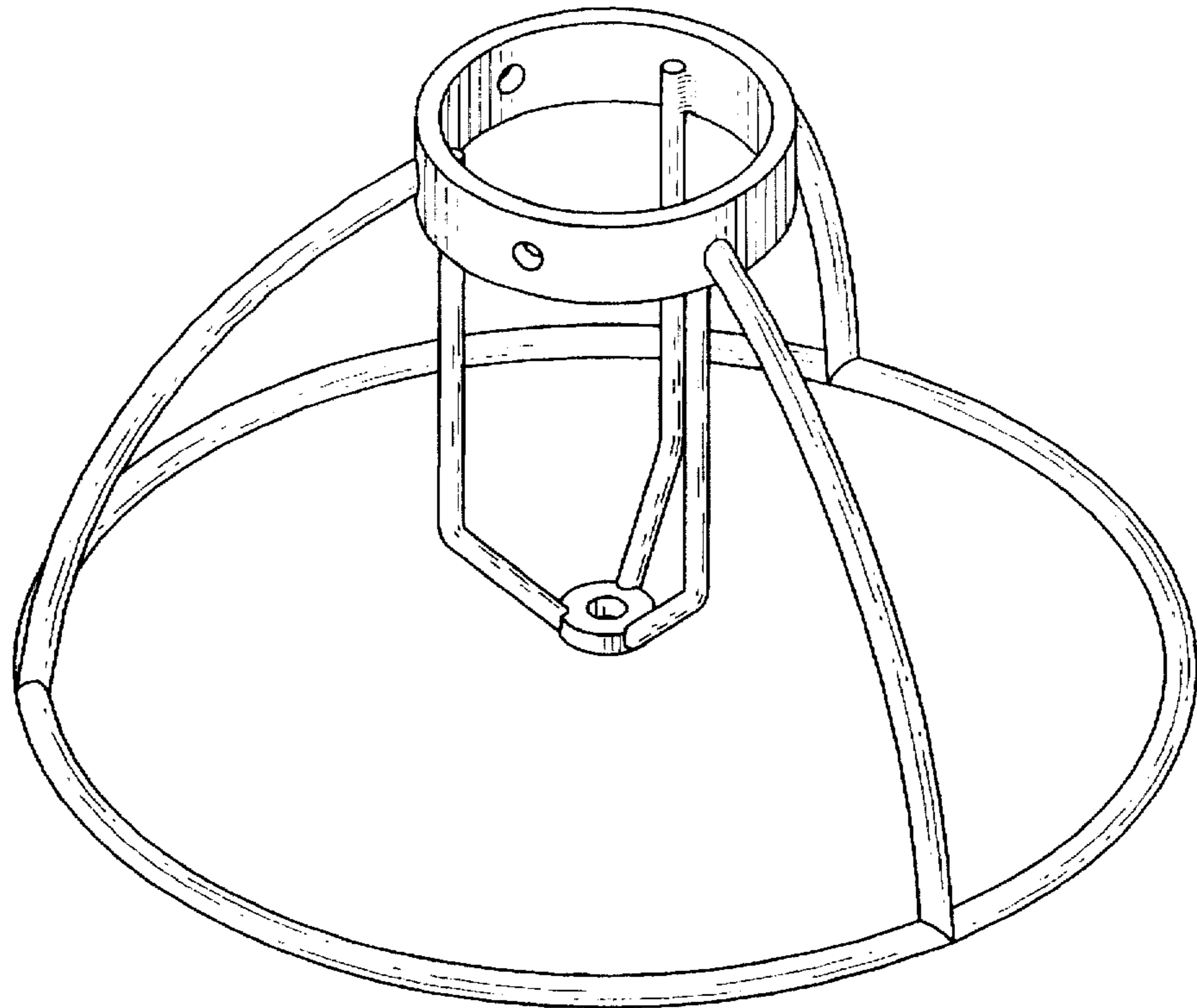


Fig. 7

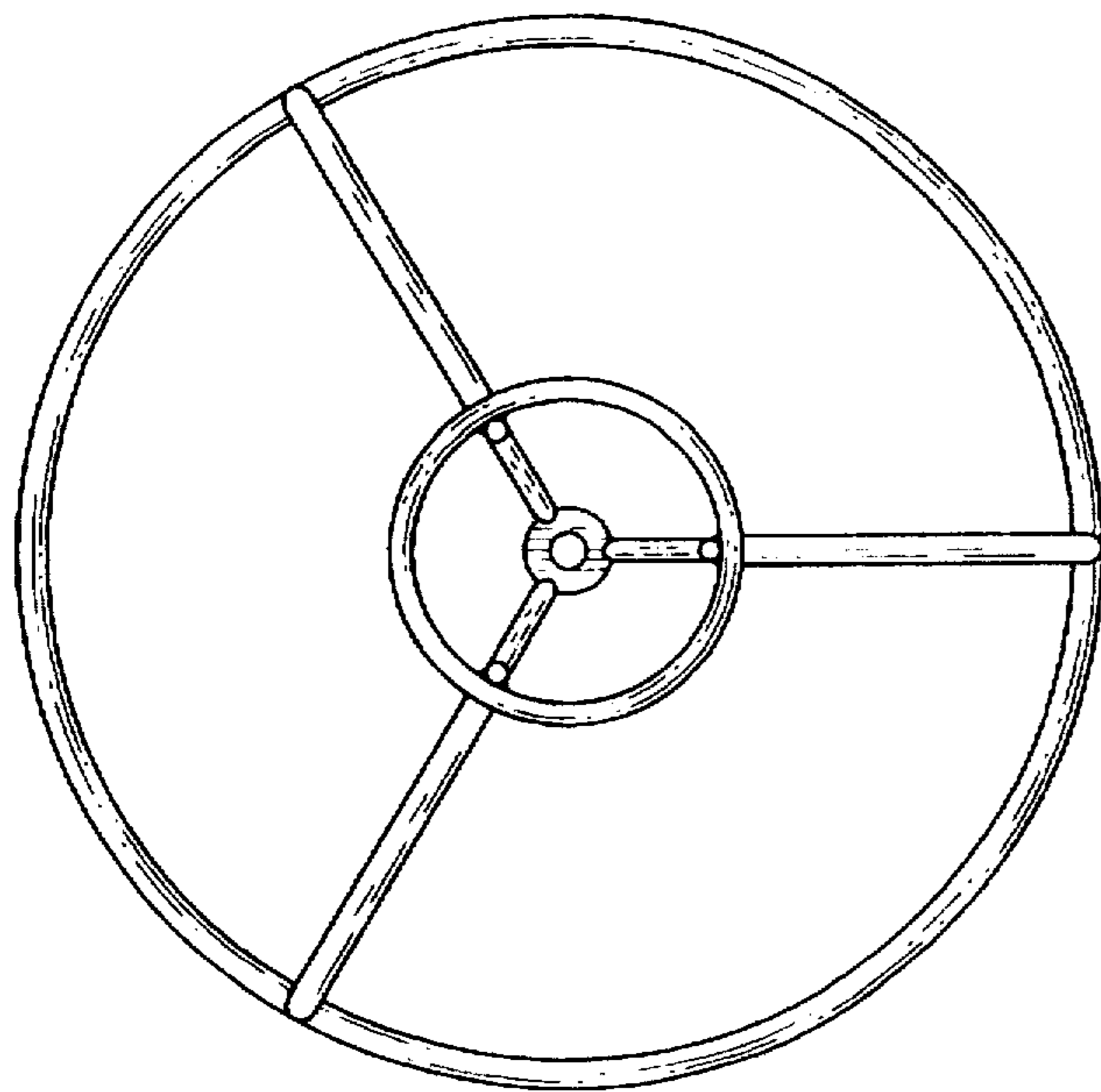


Fig. 8

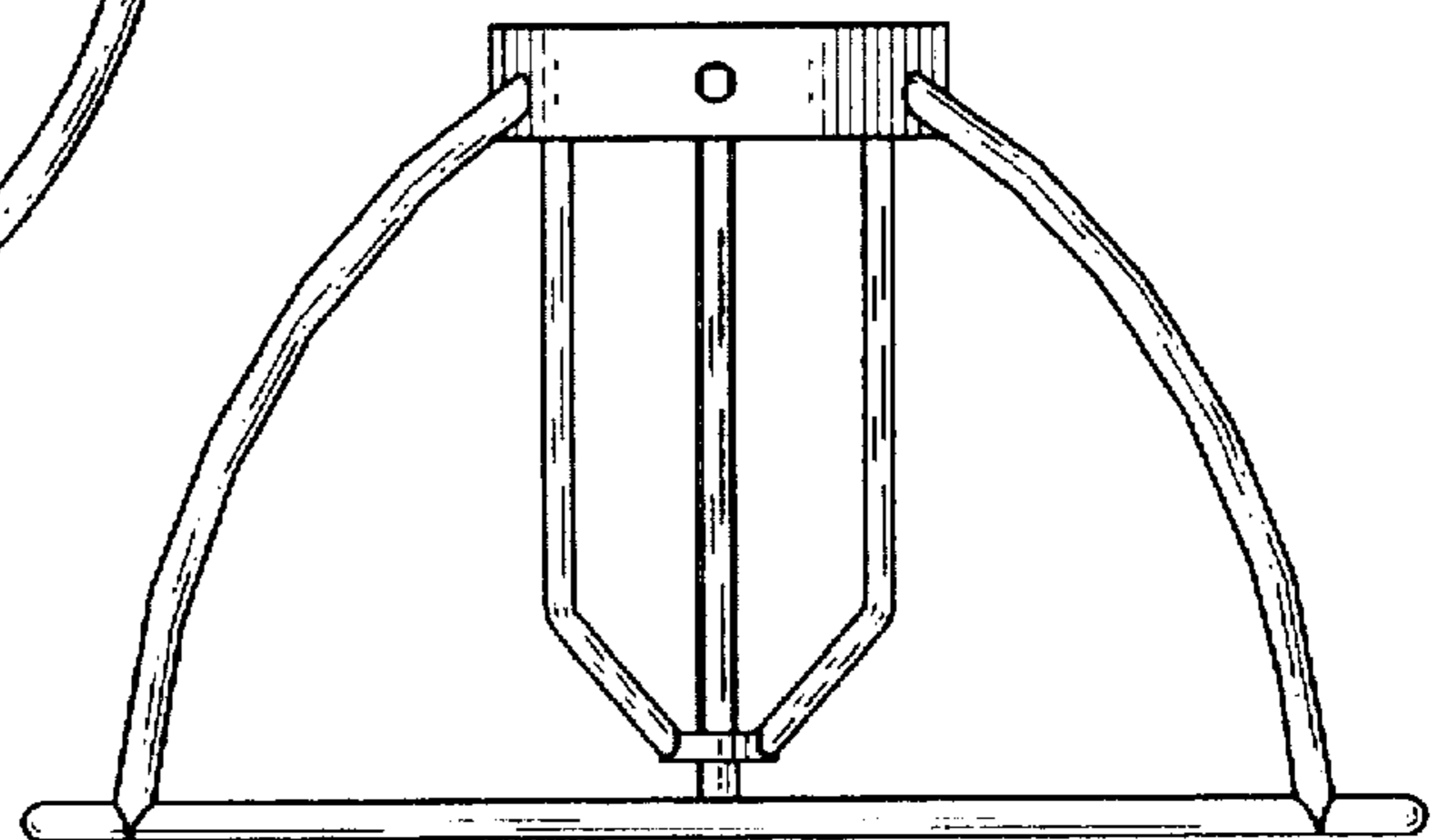


Fig. 9

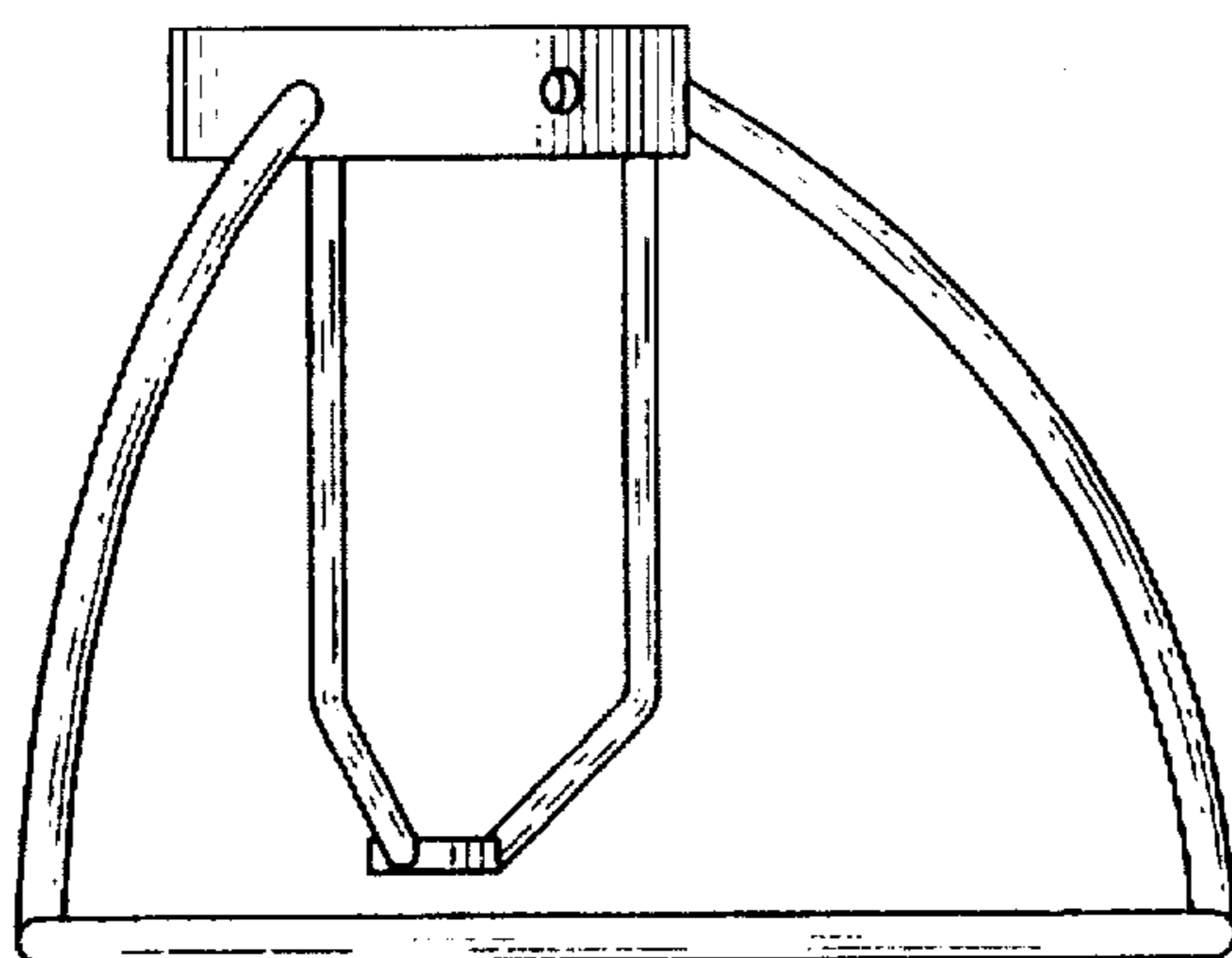


Fig. 10

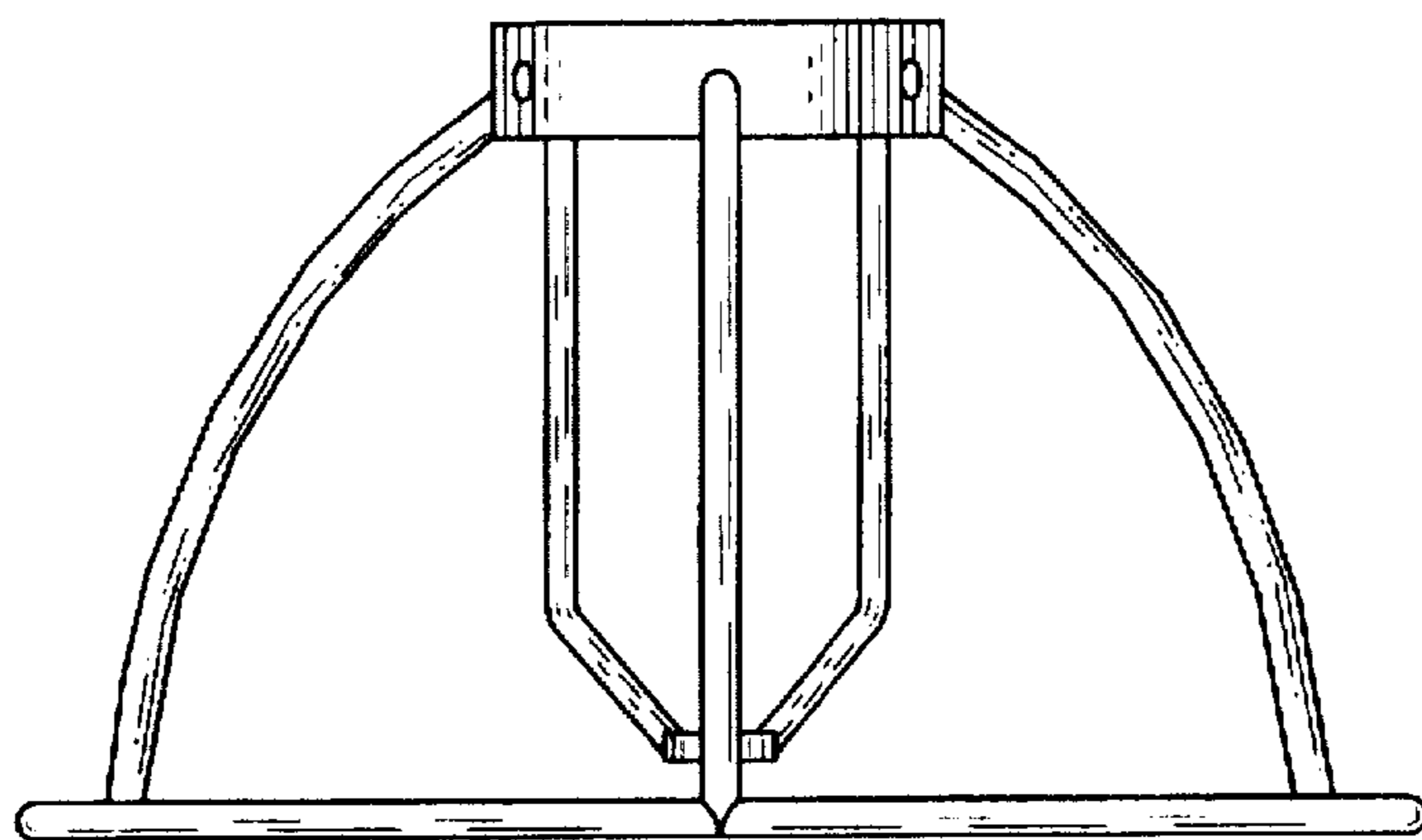


Fig. 11

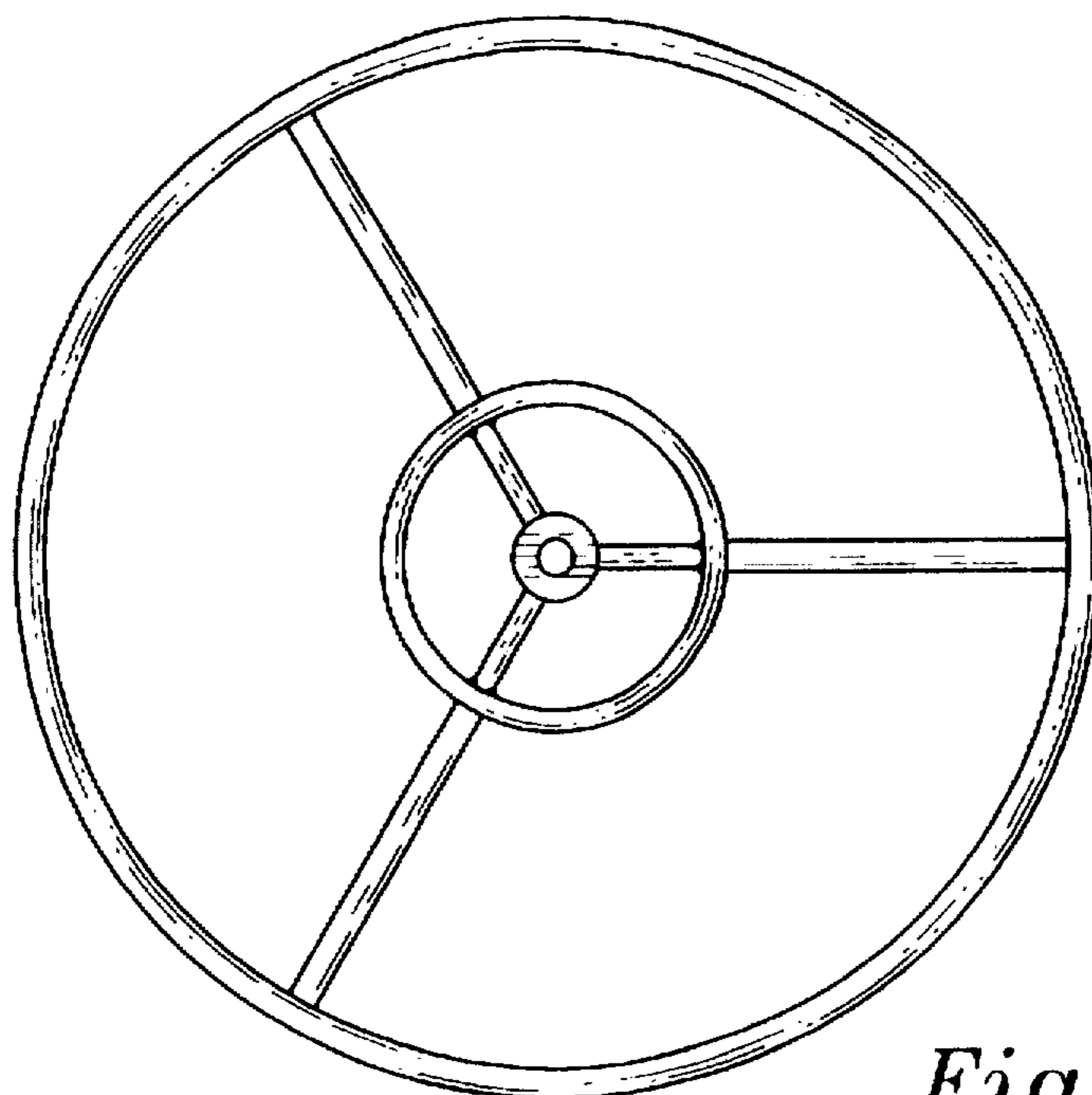


Fig. 12

UNITED STATES PATENT AND TRADEMARK OFFICE
CERTIFICATE OF CORRECTION

PATENT NO. : Des. 397,061
DATED : Aug. 18, 1998
INVENTOR(S) : Daniel L. Wright

It is certified that error appears in the above-identified patent and that said Letters Patent is hereby corrected as shown below:

On the title page, item
[75] "Sausalito, Calif." should read --San Diego, Calif.--

[73] "San Diego, Calif." should read --Sausalito, Calif.--

Signed and Sealed this
Sixth Day of April, 1999



Q. TODD DICKINSON

Acting Commissioner of Patents and Trademarks

Attest:

Attesting Officer