



US00D397055S

United States Patent [19]
Cho

[11] **Patent Number: Des. 397,055**

[45] **Date of Patent: **Aug. 18, 1998**

[54] **LIQUID CRYSTAL DISPLAY BASE FOR CLOCKS OR CALENDARS**

[76] **Inventor: Yu-Hsin Cho, 3F, No.501, Chungkang Rd., Hsinchuang, Taipei Hsien, Taiwan**

[**] **Term: 14 Years**

[21] **Appl. No.: 72,929**

[22] **Filed: Jun. 25, 1997**

[51] **LOC (6) Cl. 10-01**

[52] **U.S. Cl. D10/122; D10/3; D10/15**

[58] **Field of Search D10/1-40, 122-132; 368/223, 228-229, 232, 276-277, 280-282, 285, 28-30, 41-44, 239-242, 10**

[56] **References Cited**

U.S. PATENT DOCUMENTS

- D. 337,950 8/1993 Davis D10/15
- D. 348,842 7/1994 Olivadoti D10/15
- D. 359,003 6/1995 Davis D10/40

D. 386,094 11/1997 Ventrella D10/18 X

Primary Examiner—Nelson C. Holtje
Attorney, Agent, or Firm—Pro-Techtor International Services

[57] **CLAIM**

The ornamental design for a liquid crystal display base for clocks or calendars, as shown and described.

DESCRIPTION

FIG. 1 is a right side, front perspective view showing my new design for a liquid crystal display base for clocks or calendars;

FIG. 2 is a front elevational view thereof;

FIG. 3 is a rear elevational view thereof;

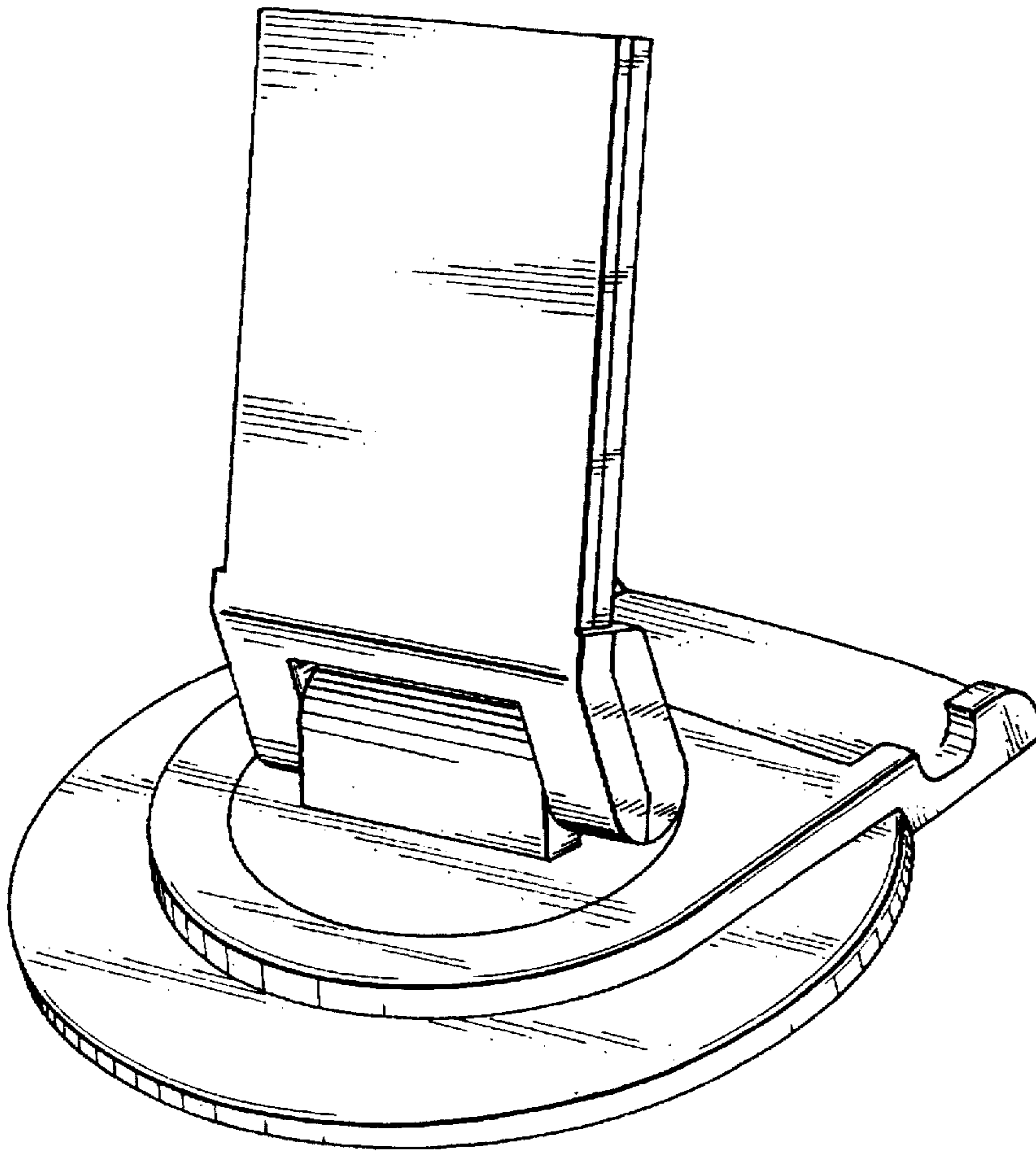
FIG. 4 is a left side elevational view thereof;

FIG. 5 is a right side elevational view thereof;

FIG. 6 is a top view thereof; and,

FIG. 7 is a bottom view thereof.

1 Claim, 4 Drawing Sheets



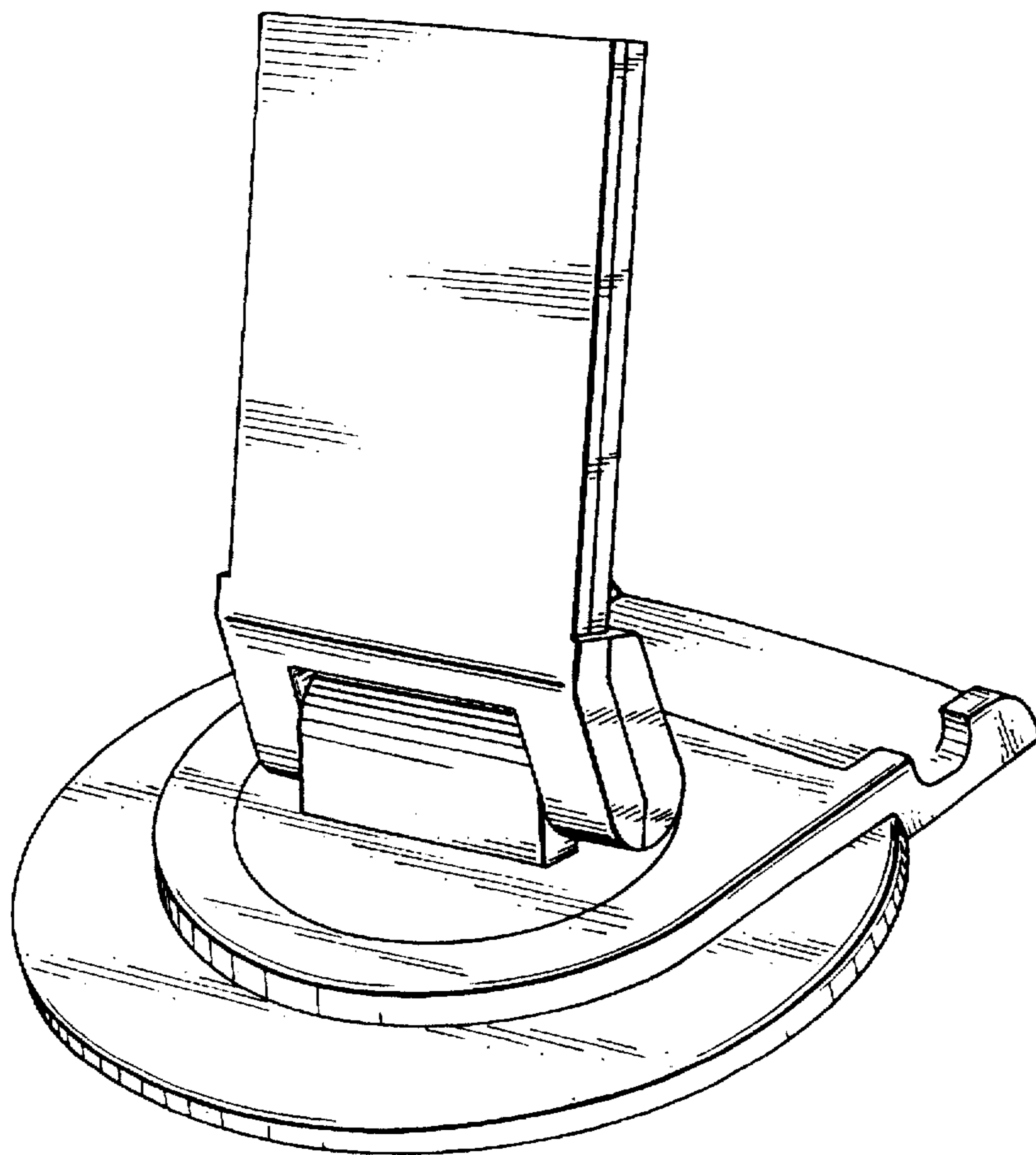


FIG. 1

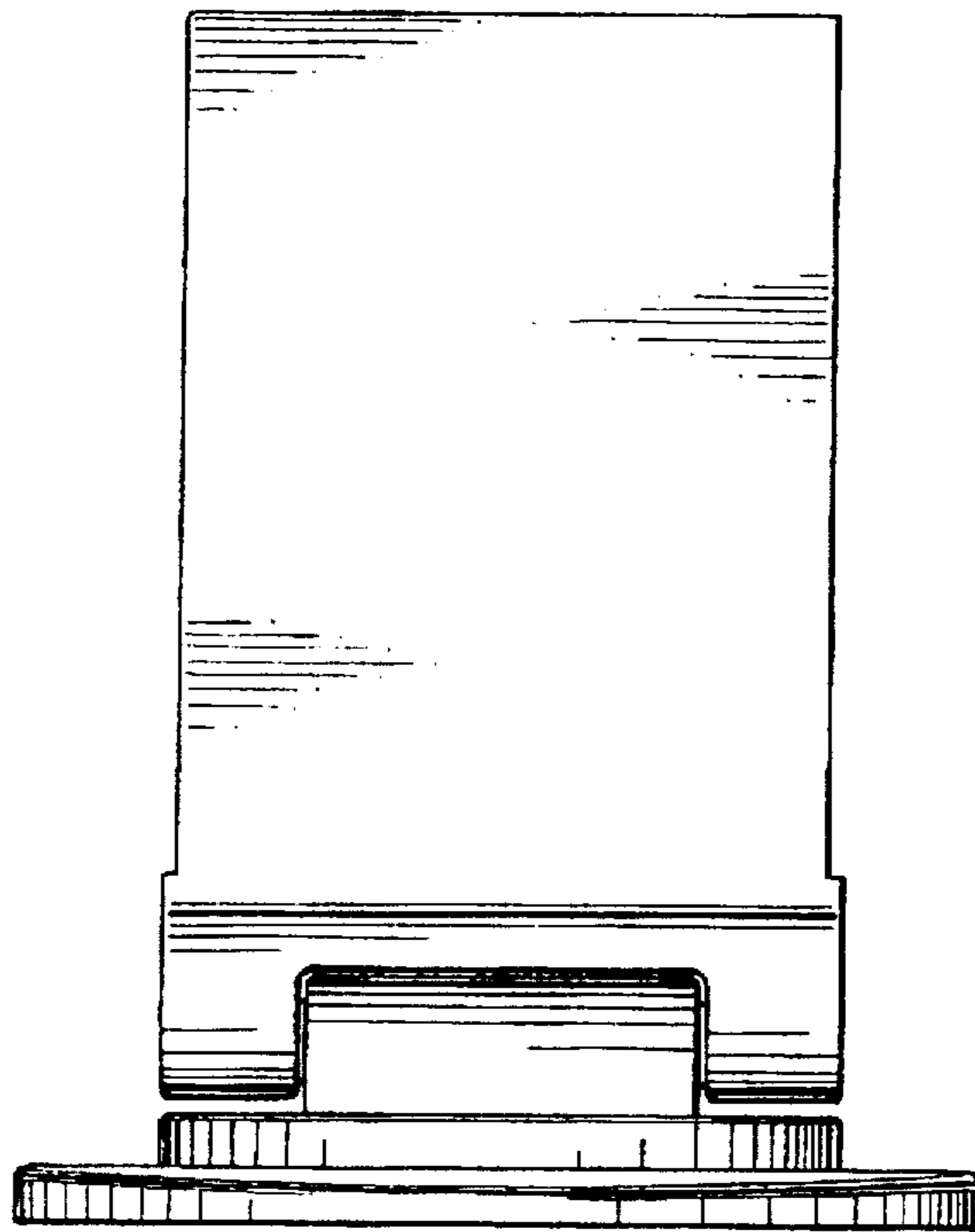


FIG. 2

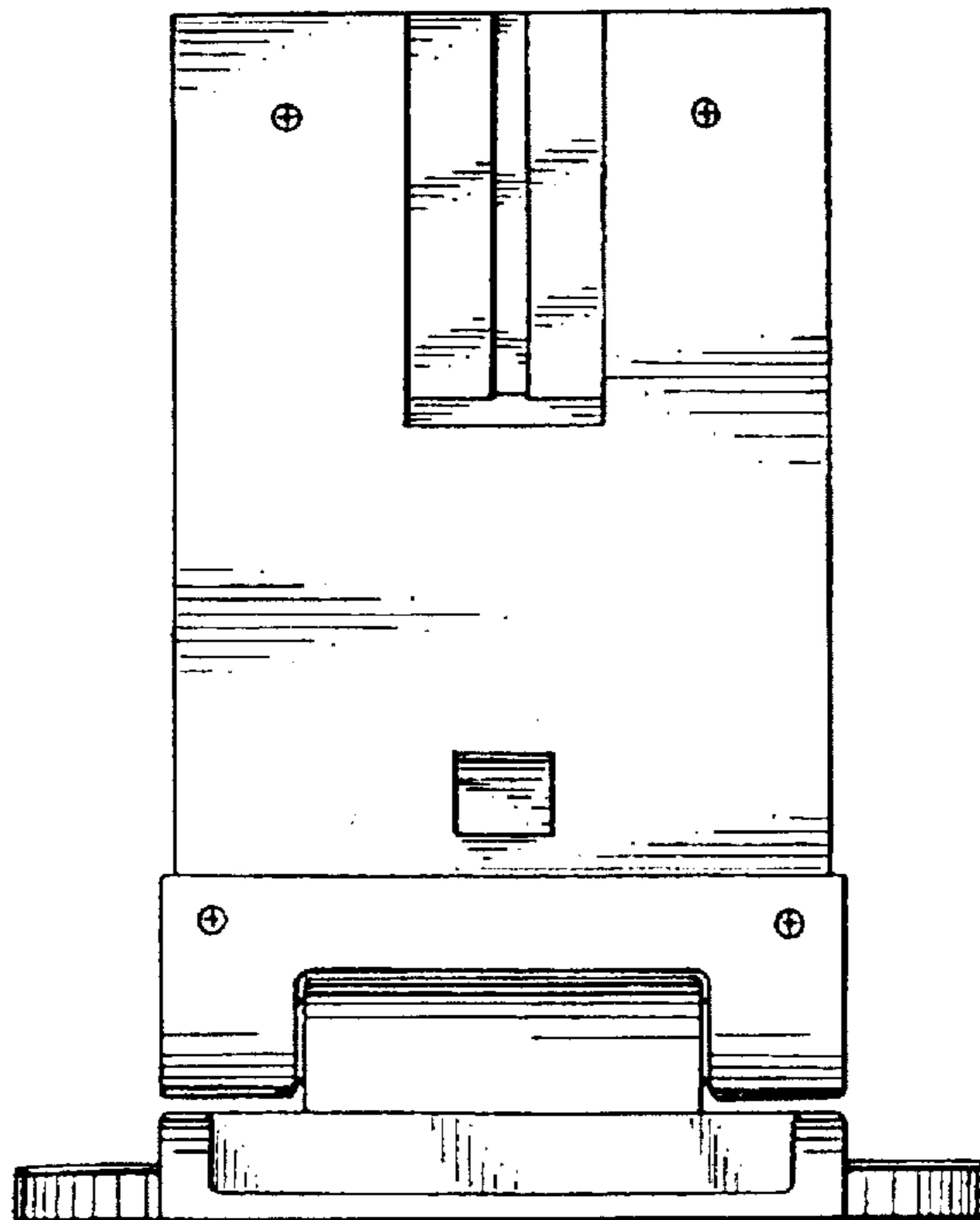


FIG. 3

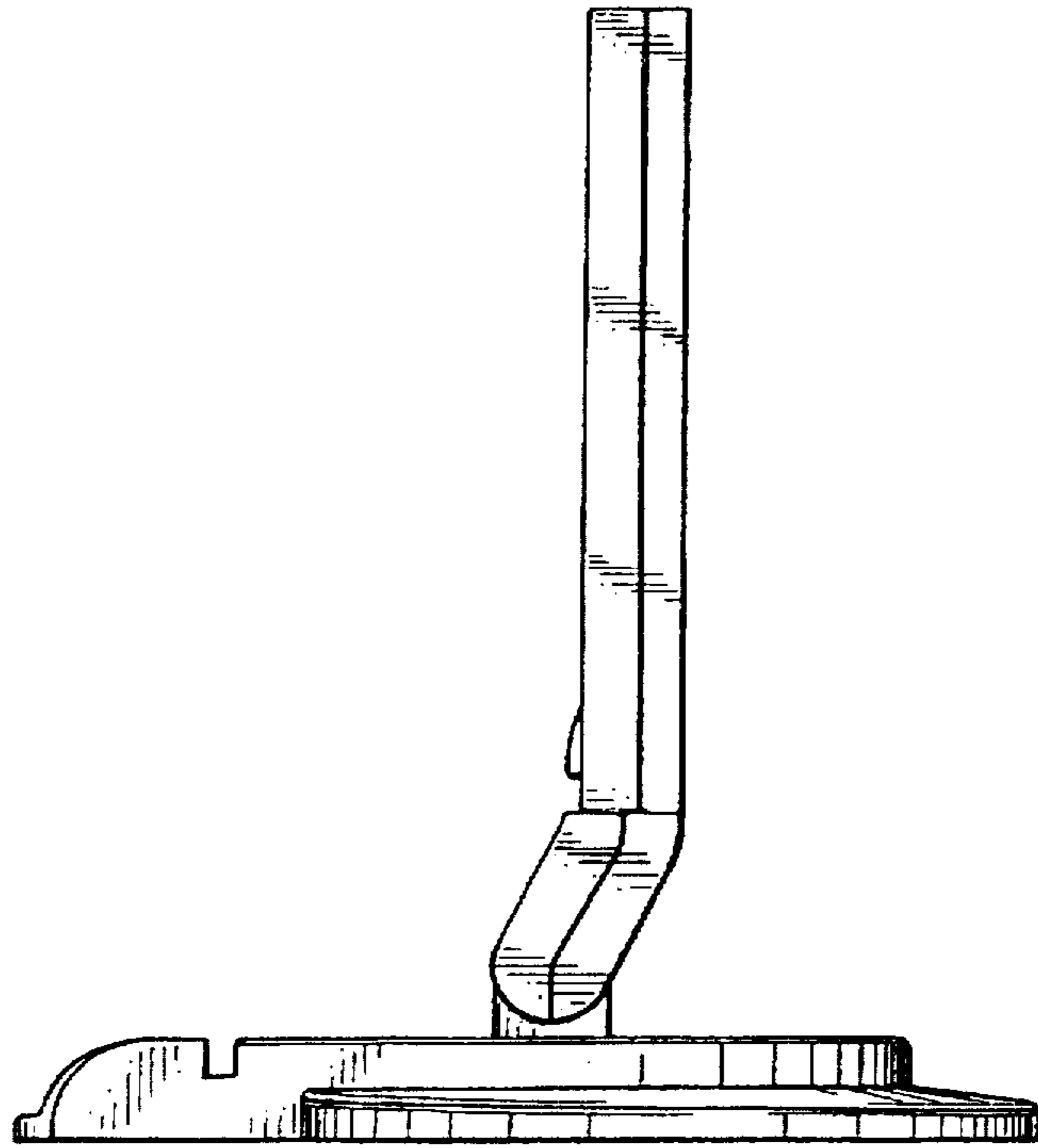


FIG. 4

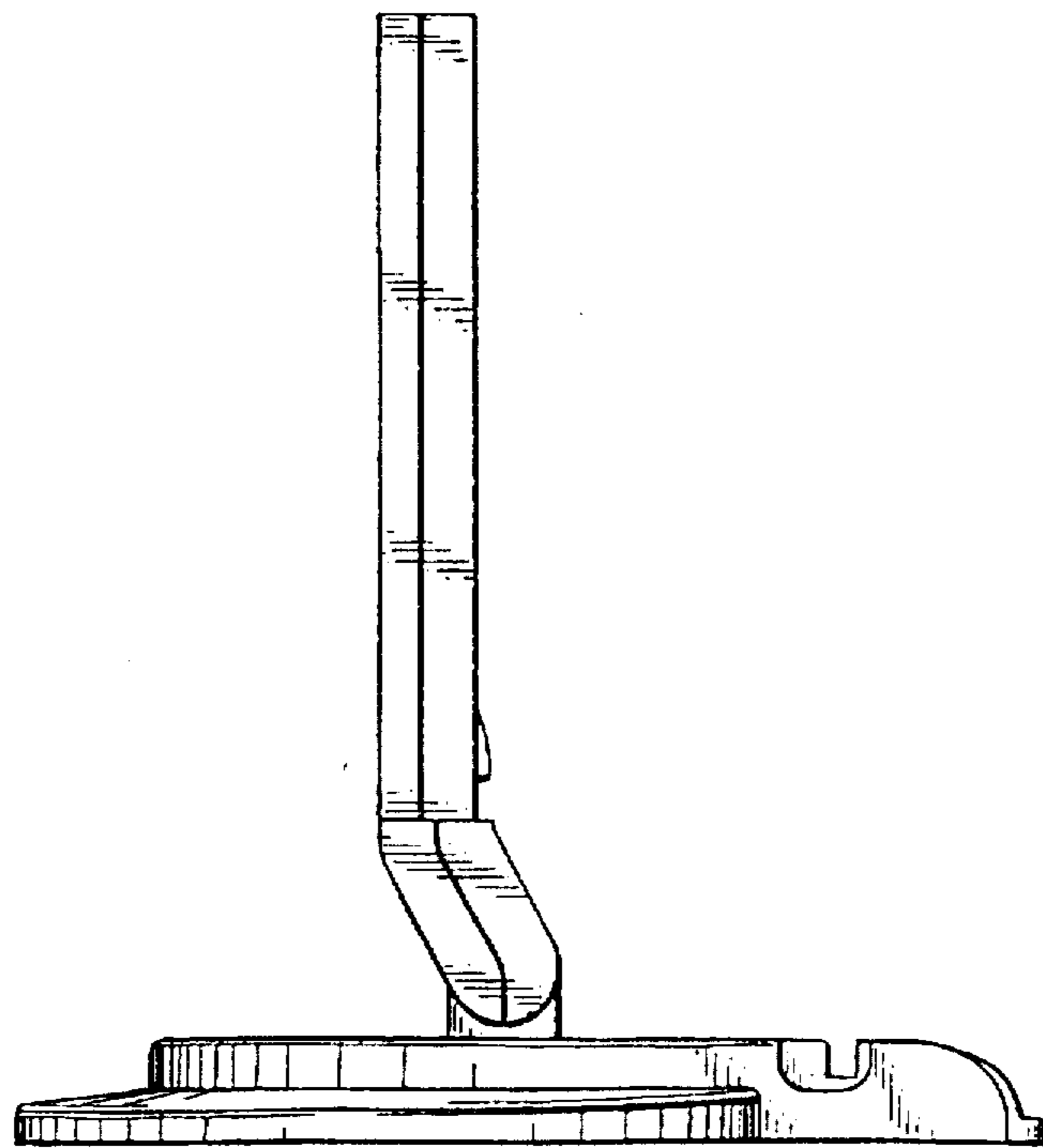


FIG. 5

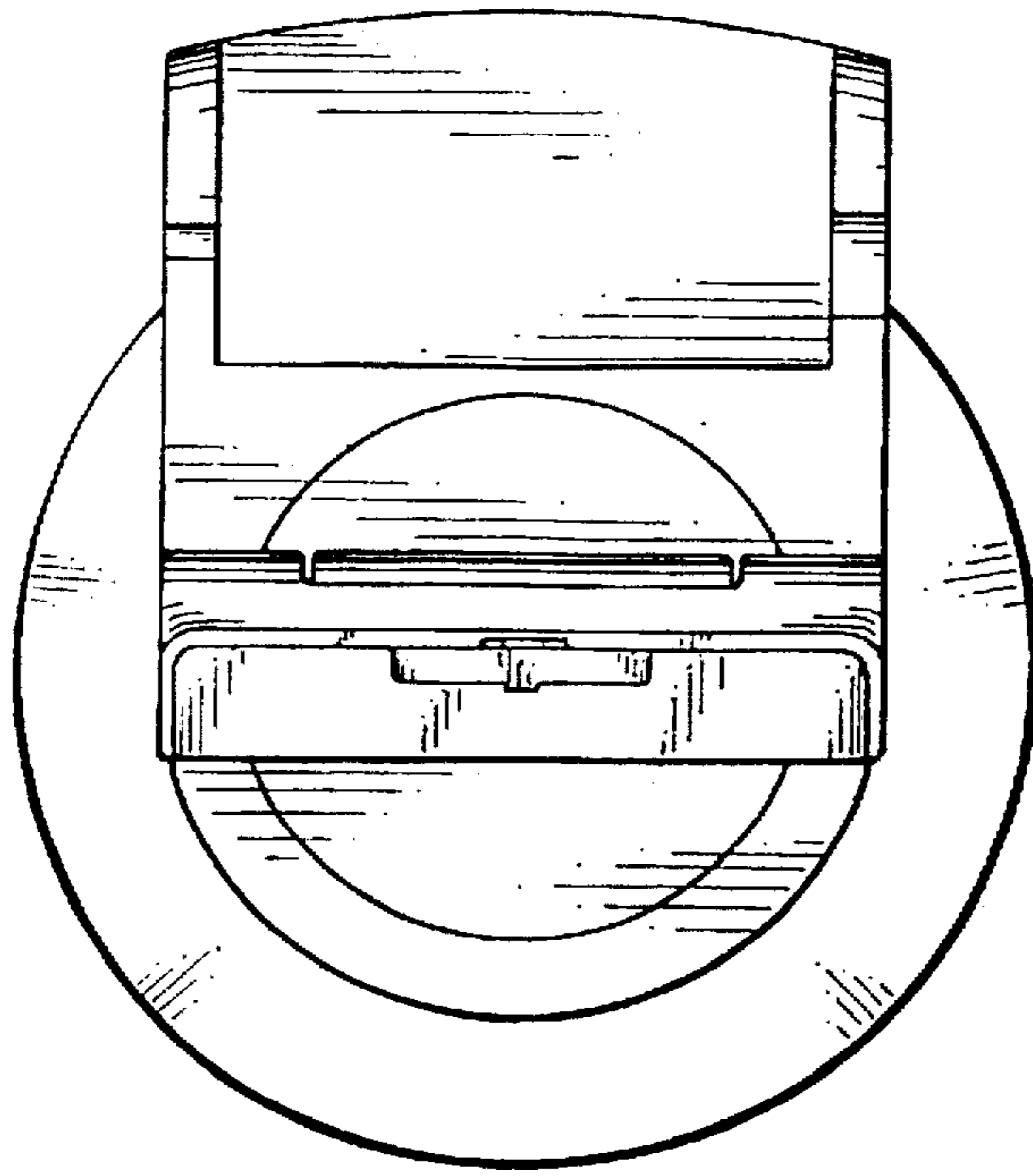


FIG. 6

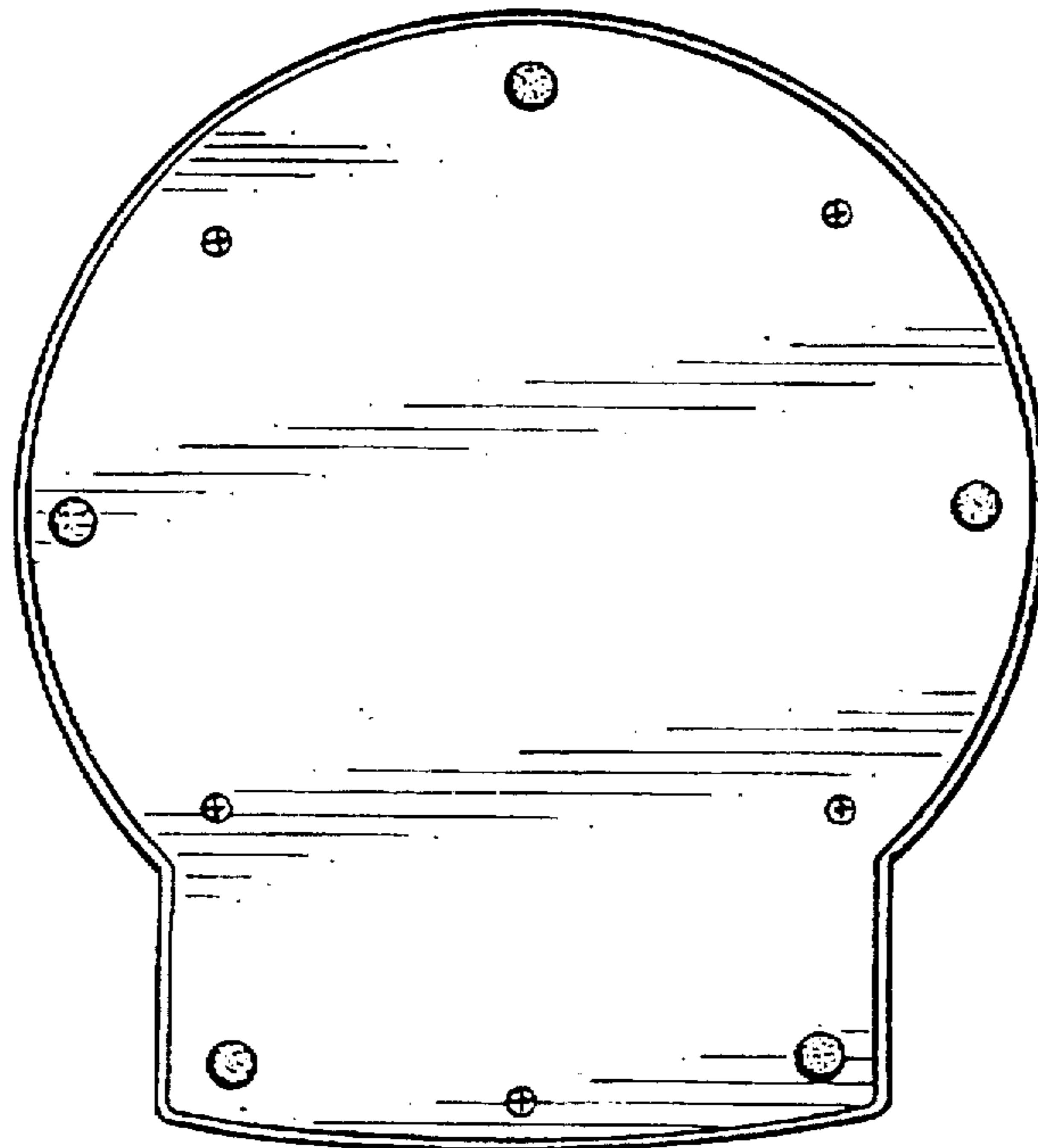


FIG. 7