

US00D397053S

**United States Patent** [19]  
**Lloyd**

[11] **Patent Number: Des. 397,053**

[45] **Date of Patent: \*\*Aug. 18, 1998**

[54] **UTILITY METER**

D. 366,434 1/1996 Brown, III et al. .... D10/99  
5,589,764 12/1996 Lee ..... 324/157

[75] **Inventor: Tim Lloyd, Wokingham, United Kingdom**

*Primary Examiner—Antoine Duval Davis  
Attorney, Agent, or Firm—Leonard W. Pojunas*

[73] **Assignee: Schlumberger Industries, S.A., Montrouge, France**

[\*\*] **Term: 14 Years**

[57] **CLAIM**

The ornamental design for a utility meter, as shown.

[21] **Appl. No.: 70,018**

**DESCRIPTION**

[22] **Filed: Apr. 8, 1997**

[51] **LOC (6) Cl. .... 10-04**

[52] **U.S. Cl. .... D10/99**

[58] **Field of Search .... D10/96, 99, 100;  
324/119, 136, 142, 157, 116; 364/483;  
377/20**

FIG. 1 is a side view;

FIG. 2 is a top view;

FIG. 3 is a front view;

FIG. 4 is a back view; and,

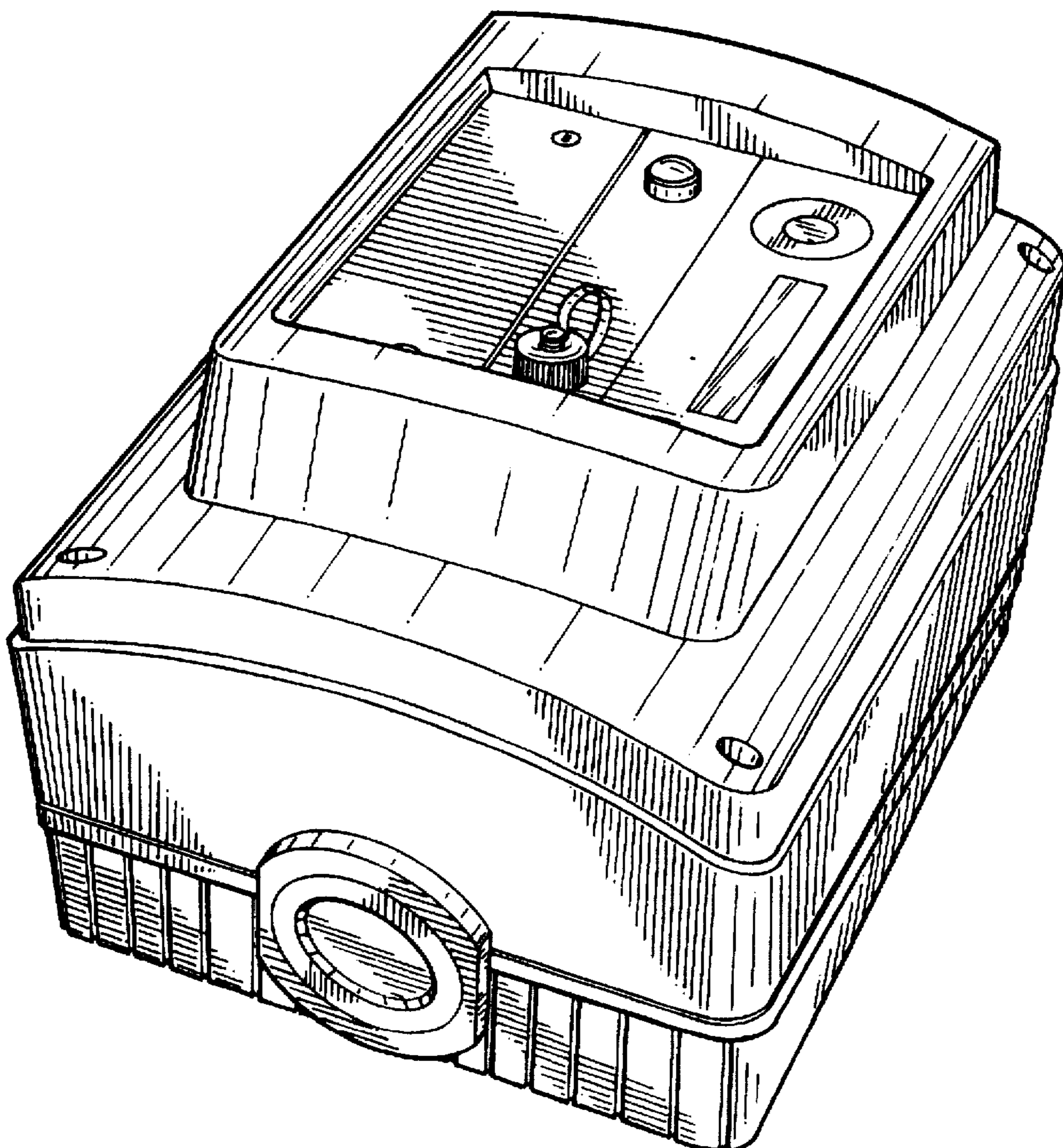
FIG. 5 is a perspective view.

[56] **References Cited**

**U.S. PATENT DOCUMENTS**

D. 332,416 1/1993 Craig et al. .... D10/99

**1 Claim, 3 Drawing Sheets**



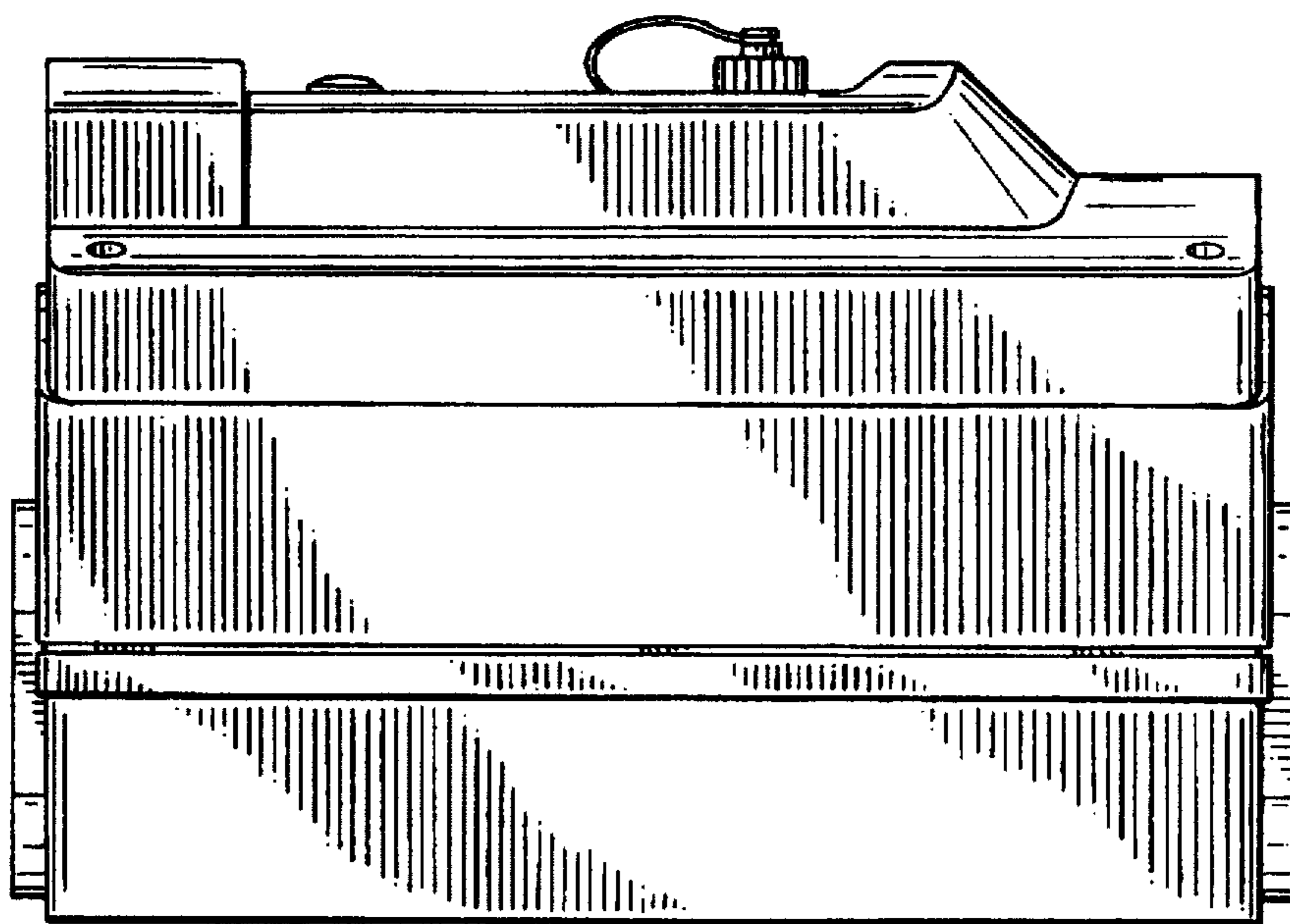


FIG. 1

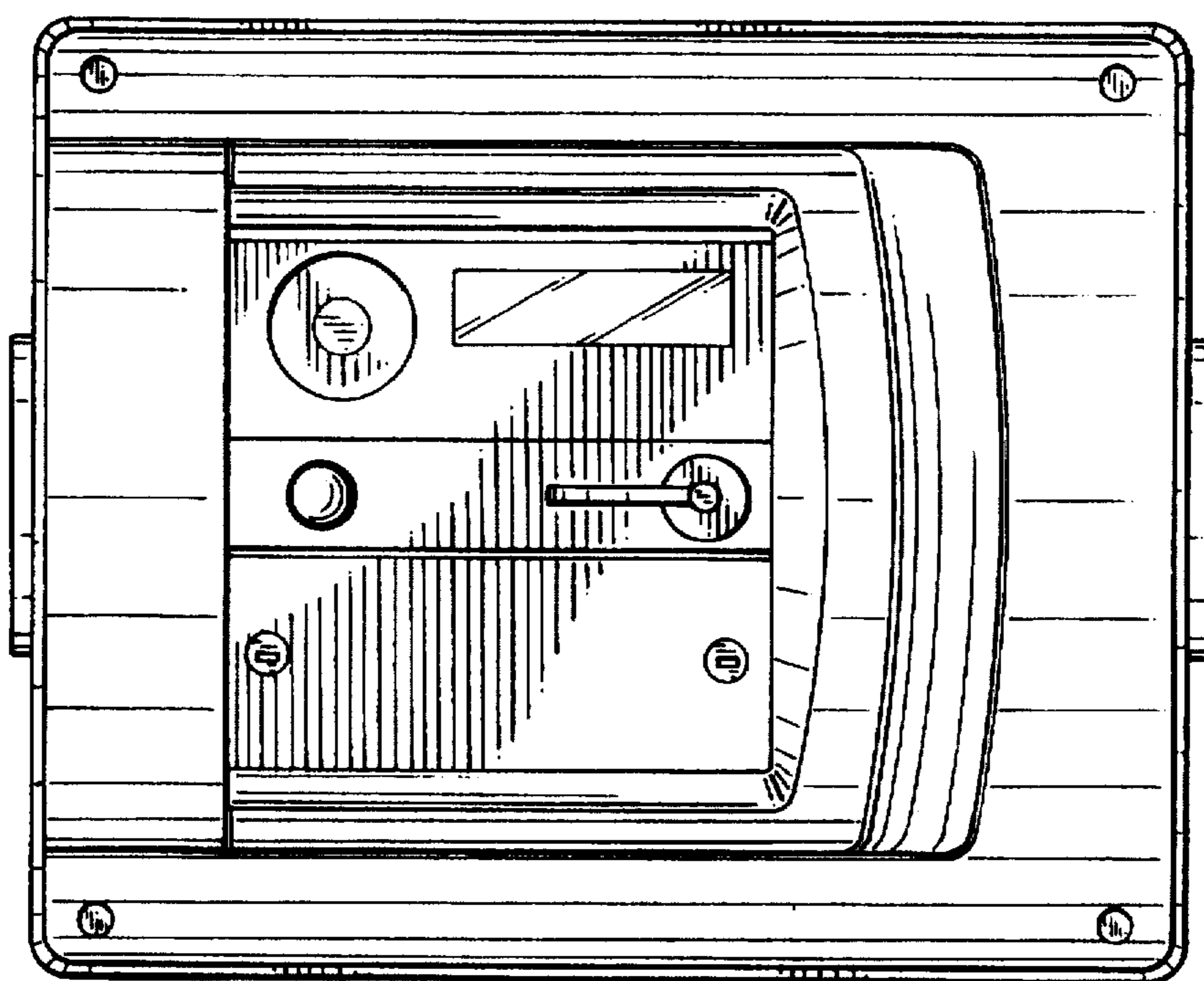


FIG. 2

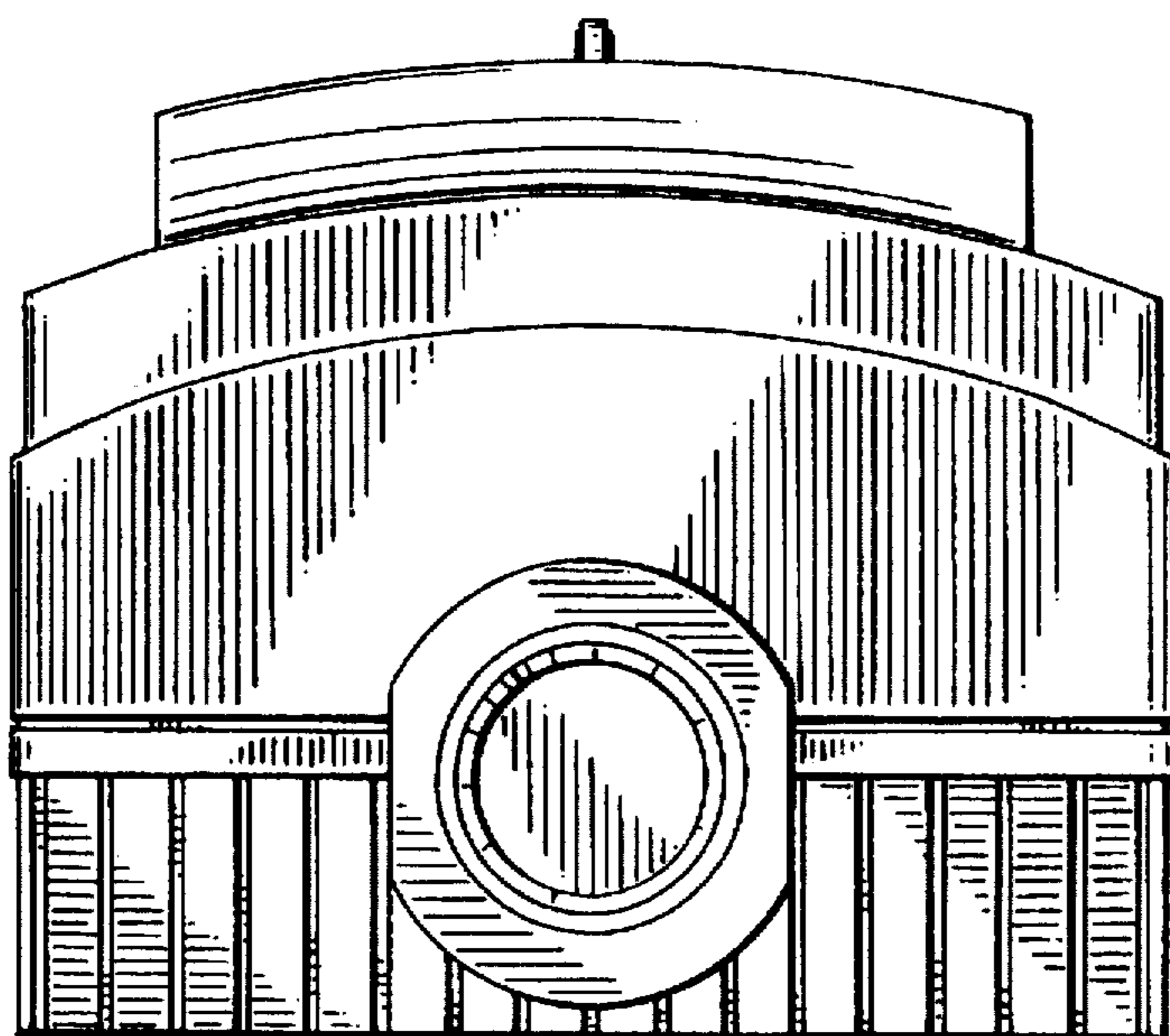


FIG. 3

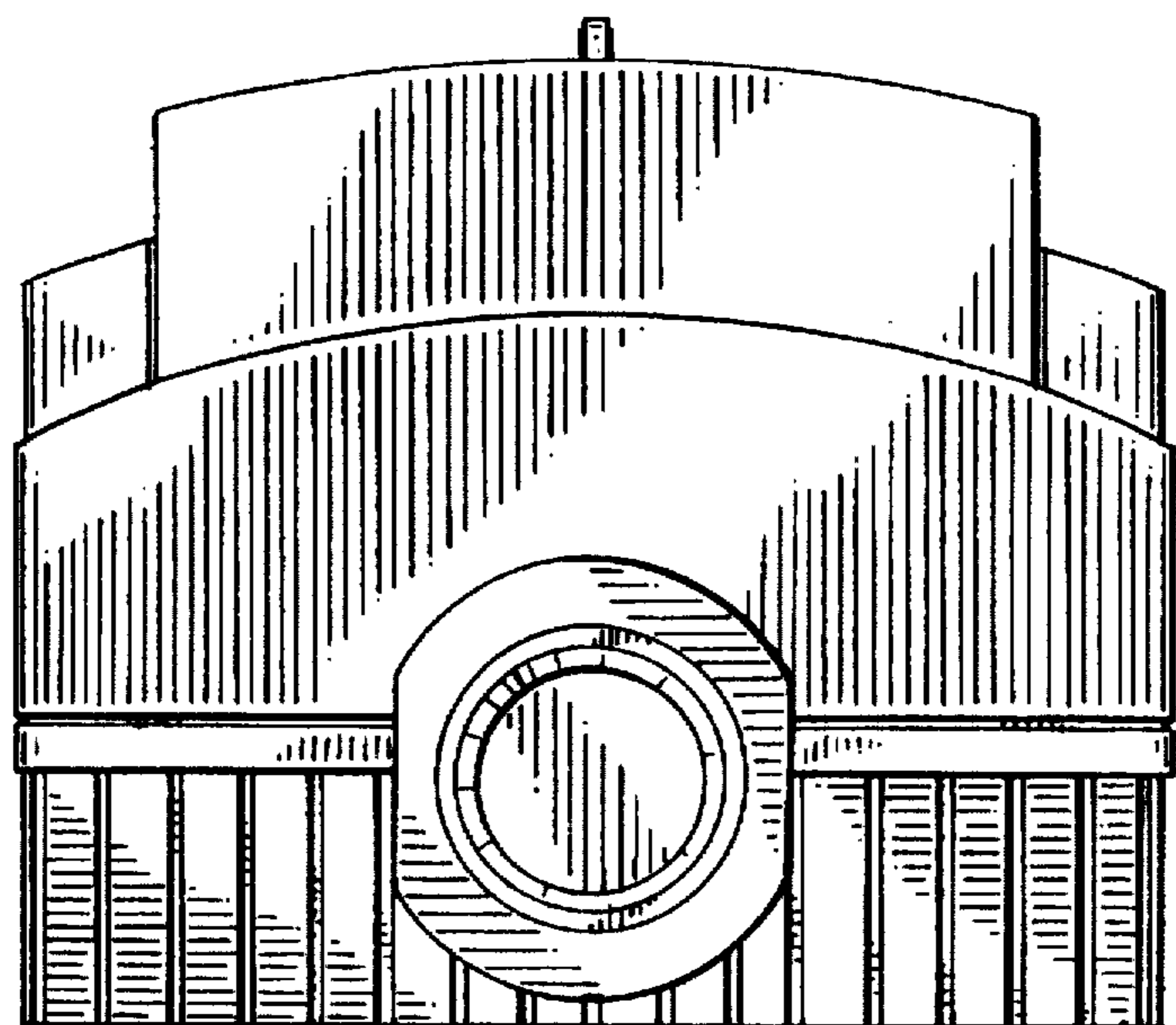


FIG. 4

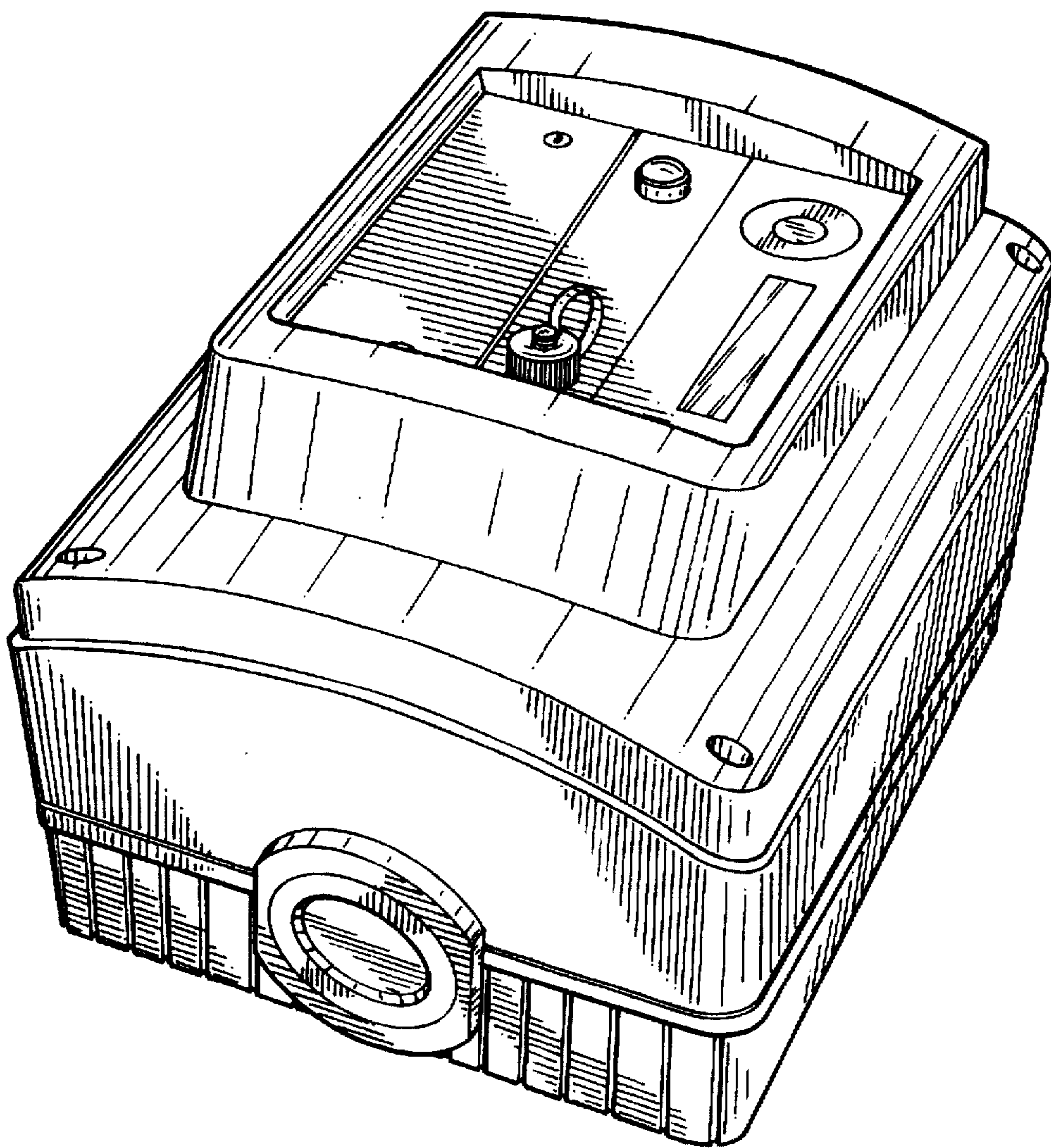


FIG. 5