



US00D397050S

# United States Patent [19]

[11] Patent Number: Des. 397,050

Mohammadian et al.

[45] Date of Patent: \*\*Aug. 18, 1998

[54] APPLICATION MODULE FOR MODULAR TEST INSTRUMENT

5,511,108 4/1996 Severt et al. .  
5,583,912 12/1996 Schillaci et al. .

[75] Inventors: Ali M. Mohammadian; James T. Clifford, both of Rockville; Michael D. Hall, Poolesville, all of Md.

[73] Assignee: Telecommunications Techniques Corporation, Gaithersburg, Md.

[\*\*] Term: 14 Years

[21] Appl. No.: 72,041

[22] Filed: Jun. 13, 1997

[51] LOC (6) Cl. .... 10-04

[52] U.S. Cl. .... D10/78

[58] Field of Search ..... D10/75, 78; 379/1, 379/11, 18, 21, 22, 24, 27, 29, 30, 32, 34, 38, 59, 60; 370/13

### [56] References Cited

#### U.S. PATENT DOCUMENTS

- D. 332,059 12/1992 Kling, III et al. .... D10/78
- D. 335,094 4/1993 Ingalsbe et al. .
- D. 360,150 7/1995 Glitzke .
- D. 365,033 12/1995 Hoofnagle et al. .
- D. 366,220 1/1996 Sakamoto ..... D10/65
- 4,837,811 6/1989 Butler et al. .

### OTHER PUBLICATIONS

Itronix Brochure "T5000 EFP Handheld Mobile Workstation" (undated).  
Yachting World article illustrating Apple Newton Message-Pad.

Primary Examiner—Antoine Duval Davis  
Attorney, Agent, or Firm—Michael de Angeli

### [57] CLAIM

The ornamental design for an application module for modular test instrument, as shown and described.

### DESCRIPTION

FIG. 1 is a front view in perspective of an application module for modular test instrument showing our new design;

FIG. 2 is a left side view thereof in elevation;

FIG. 3 is a front view thereof in elevation;

FIG. 4 is a right side view thereof in elevation; and

FIG. 5 is a rear view thereof in elevation;

FIG. 6 is a top view thereof in plan; and

FIG. 7 is a bottom view thereof in plan. .

The broken line showing is for illustrative purposes only and forms no part of the claimed design.

1 Claim, 2 Drawing Sheets

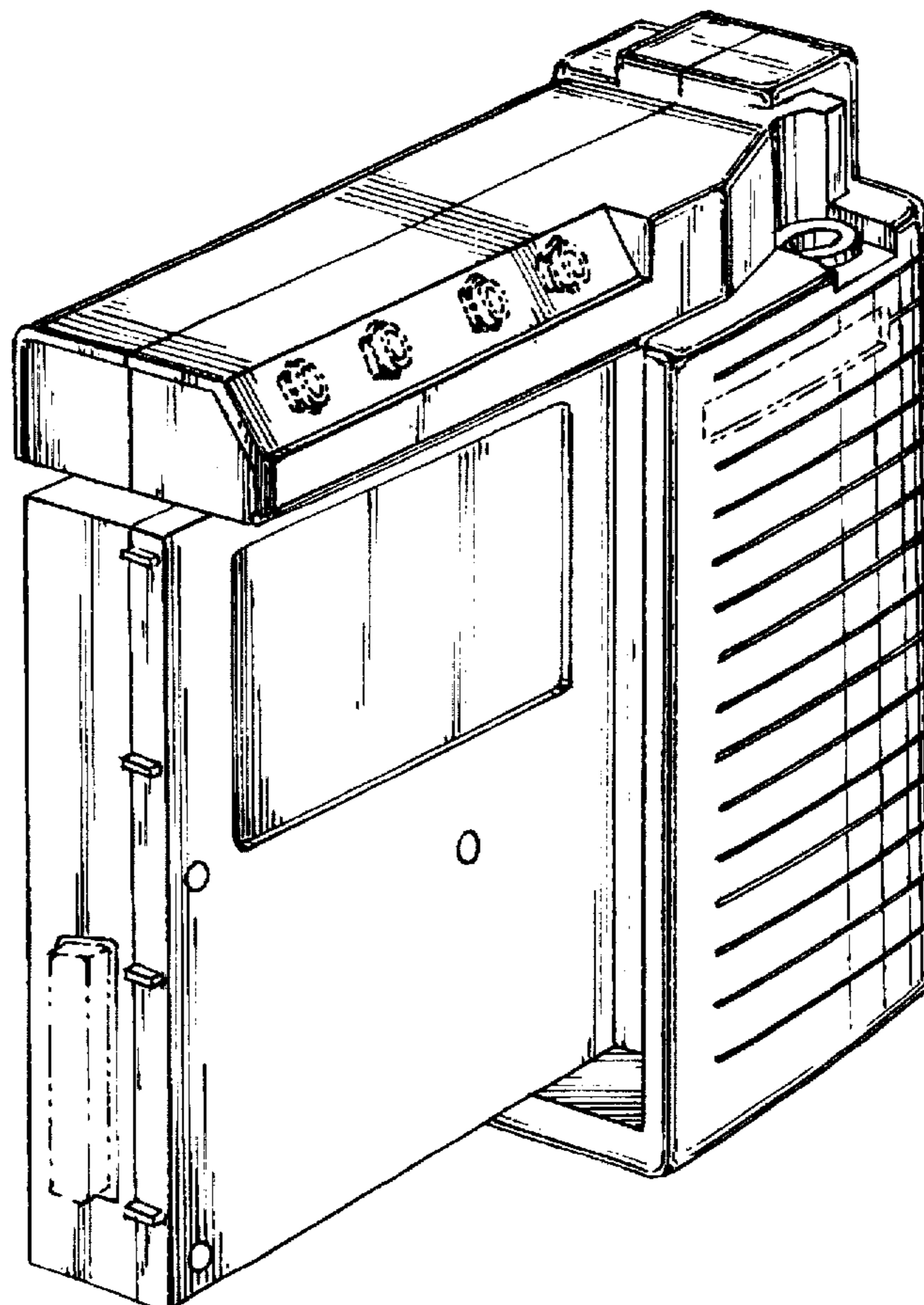


FIG. 2

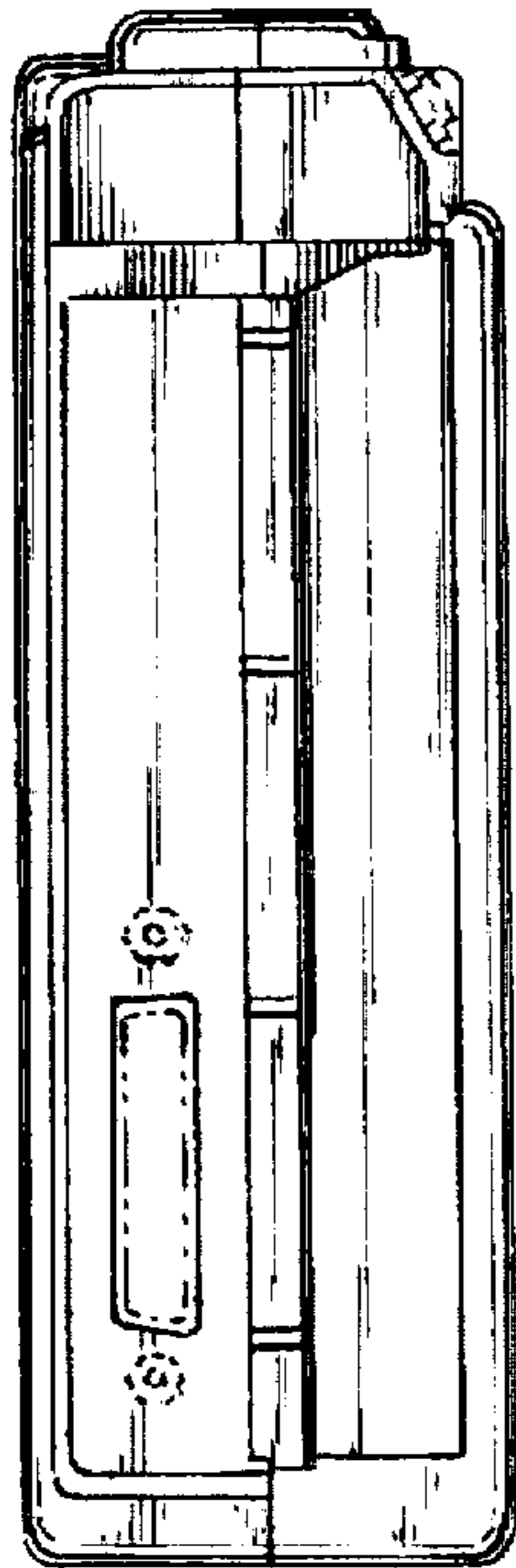


FIG. 1

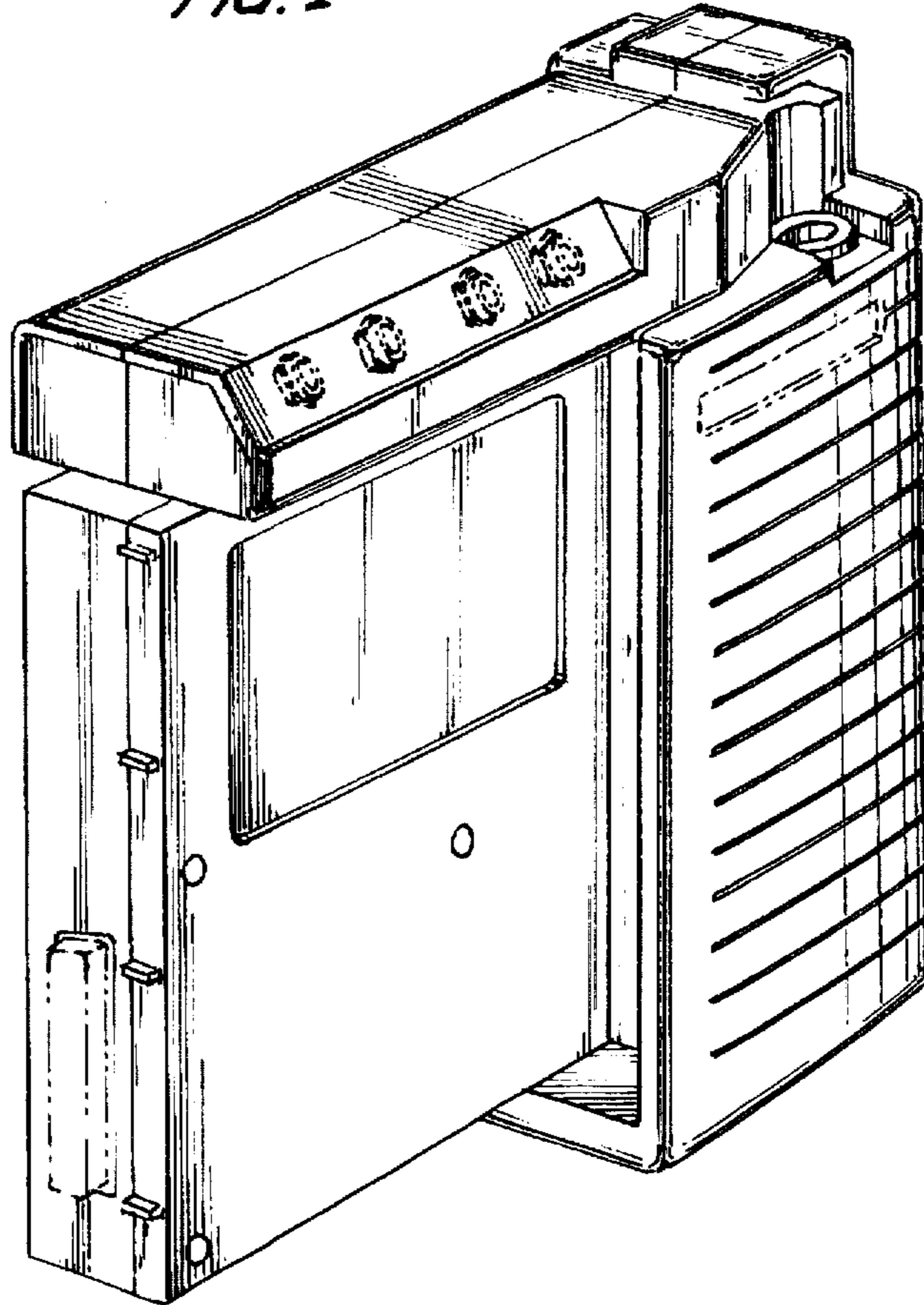


FIG. 3

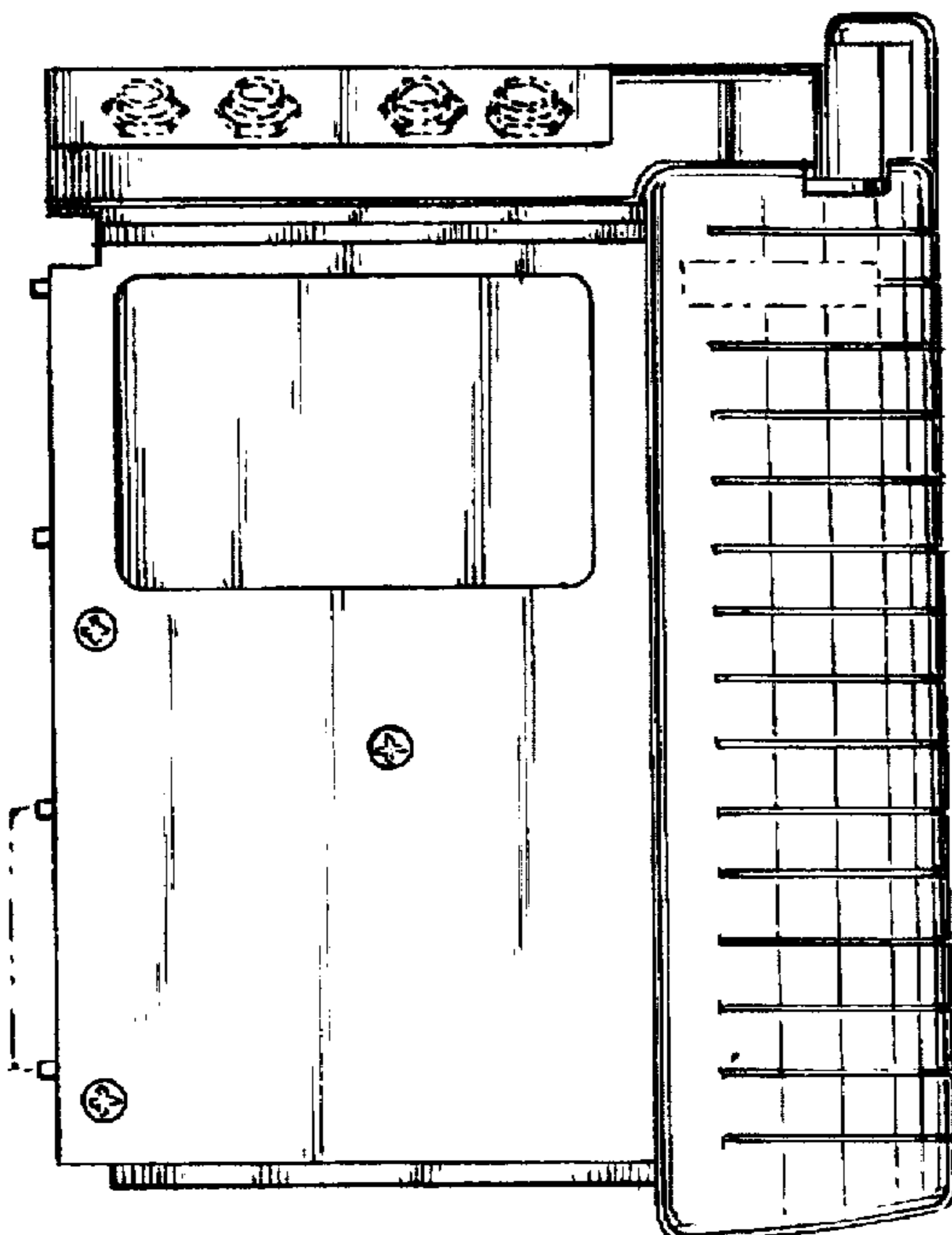


FIG. 4

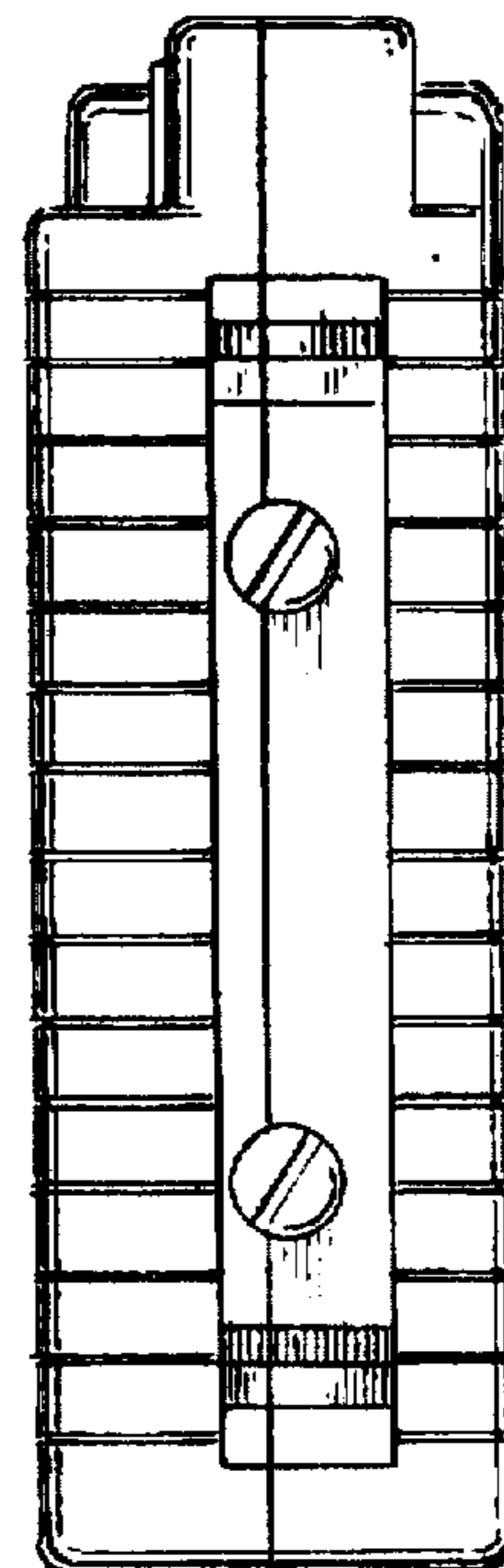


FIG. 5

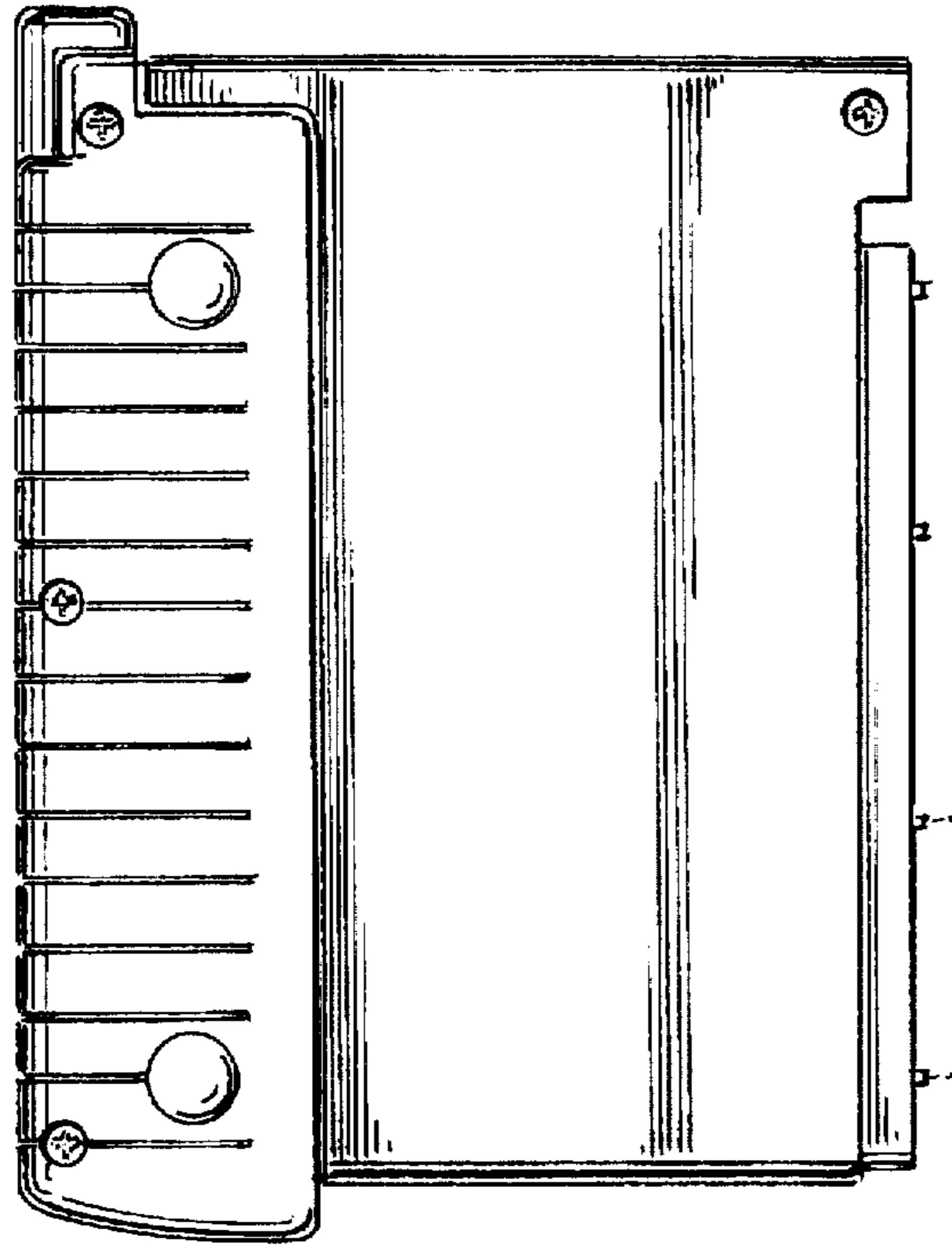


FIG. 6

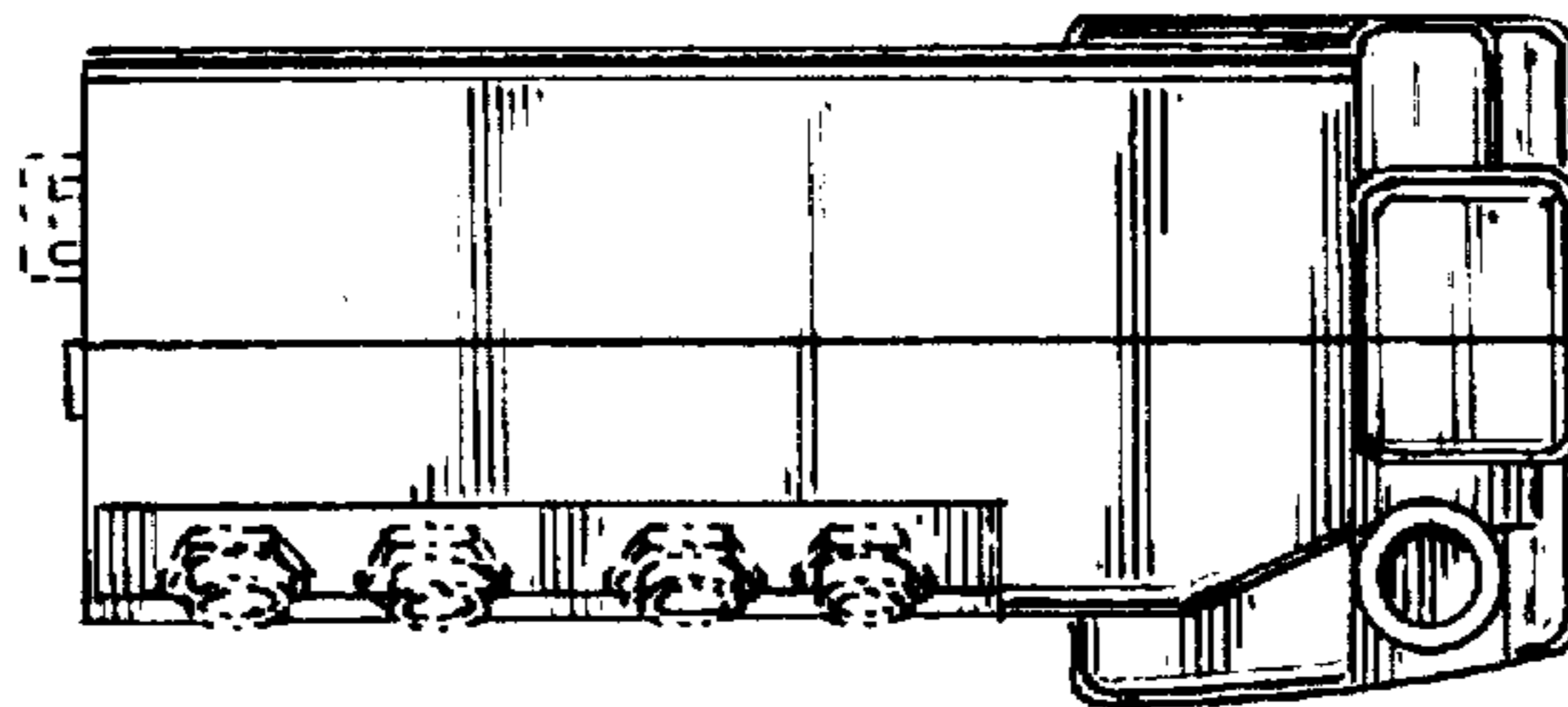


FIG. 7

