



US00D397049S

United States Patent [19]

Mohammadian et al.

[11] Patent Number: Des. 397,049

[45] Date of Patent: **Aug. 18, 1998

[54] MODULAR TEST INSTRUMENT

[75] Inventors: Ali M. Mohammadian; James T. Clifford, both of Rockville; Michael D. Hall, Poolesville, all of Md.

[73] Assignee: Telecommunications Techniques Corporation, Gaithersburg, Md.

[**] Term: 14 Years

[21] Appl. No.: 72,040

[22] Filed: Jun. 13, 1997

[51] LOC (6) CL 10-04

[52] U.S. Cl. D10/78

[58] Field of Search D10/75, 78; 379/1, 379/11, 18, 21, 22, 29, 24, 27, 30, 32, 34, 38, 59, 60; 370/13

[56] References Cited

U.S. PATENT DOCUMENTS

- D. 332,059 12/1992 Kling, III et al. D10/78
- D. 335,094 4/1993 Ingalsbe et al. .
- D. 360,150 7/1995 Glizke .
- D. 365,033 12/1995 Hoofnagle et al. .
- D. 366,220 1/1996 Sakamoto D10/65
- 4,837,811 6/1989 Butler et al. .
- 5,511,108 4/1996 Severt et al. .
- 5,583,912 12/1996 Schillaci et al. .

OTHER PUBLICATIONS

Itronix Brochure "T5000 EFP Handheld Mobile Workstation" (undated).
Yachting World article illustrating Apple Newton Message-Pad.

Primary Examiner—Antoine Duval Davis
Attorney, Agent, or Firm—Michael de Angeli

[57] CLAIM

The ornamental design for a modular test instrument, as shown and described.

DESCRIPTION

FIG. 1 is a front view in perspective of a modular test instrument showing our new design;

FIG. 2 is a front view thereof in elevation;

FIG. 3 is a left side view thereof in elevation;

FIG. 4 is a right side view thereof in elevation; and

FIG. 5 is a front view thereof in perspective, showing the two major components of the modular test instrument spaced apart from one another, these being a base unit shown on the left in FIG. 5, and an application module shown on the right of FIG. 5;

FIG. 6 is a top view of the assembled modular test instrument in plan;

FIG. 7 is a bottom view thereof in plan;

FIG. 8 is a rear view thereof in plan;

FIG. 9 is a rear view in plan of the base unit alone;

FIG. 10 is a right side view thereof in elevation;

FIG. 11 is a partial top view thereof in plan; and,

FIG. 12 is a partial bottom view thereof in plan.

The broken line showing is for illustrative purposes only and forms no part of the claimed design.

1 Claim, 4 Drawing Sheets

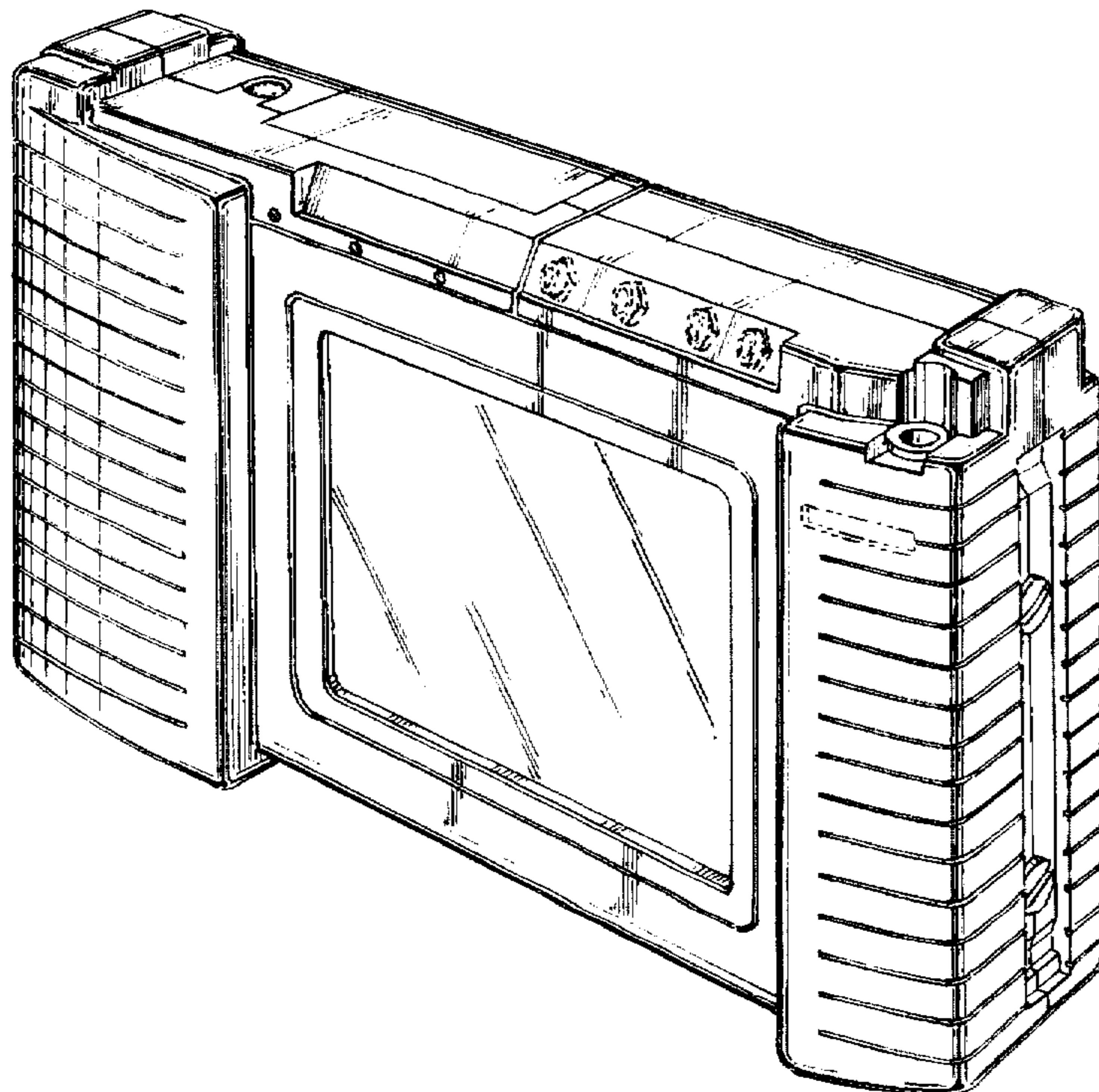


FIG. 1

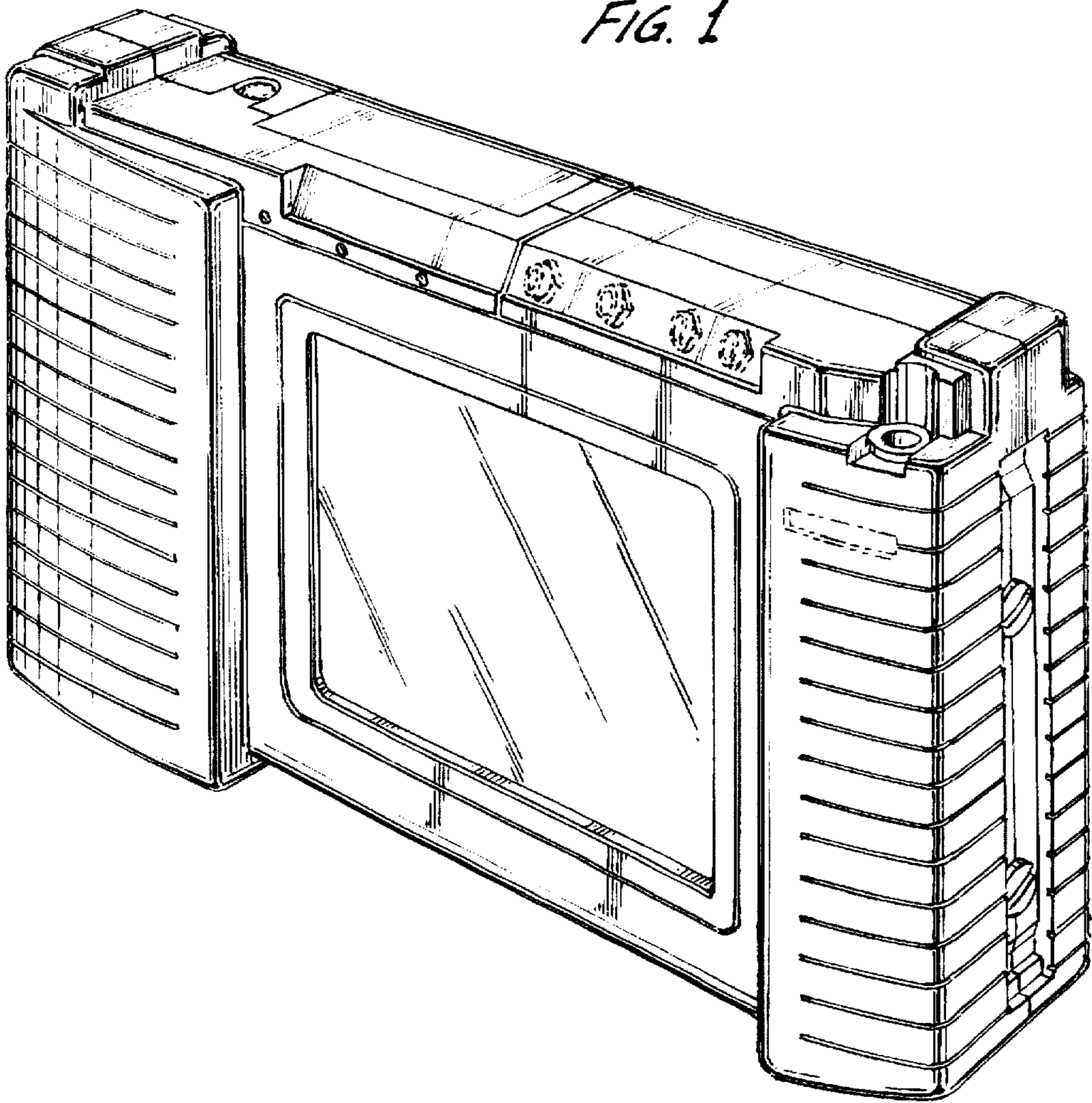
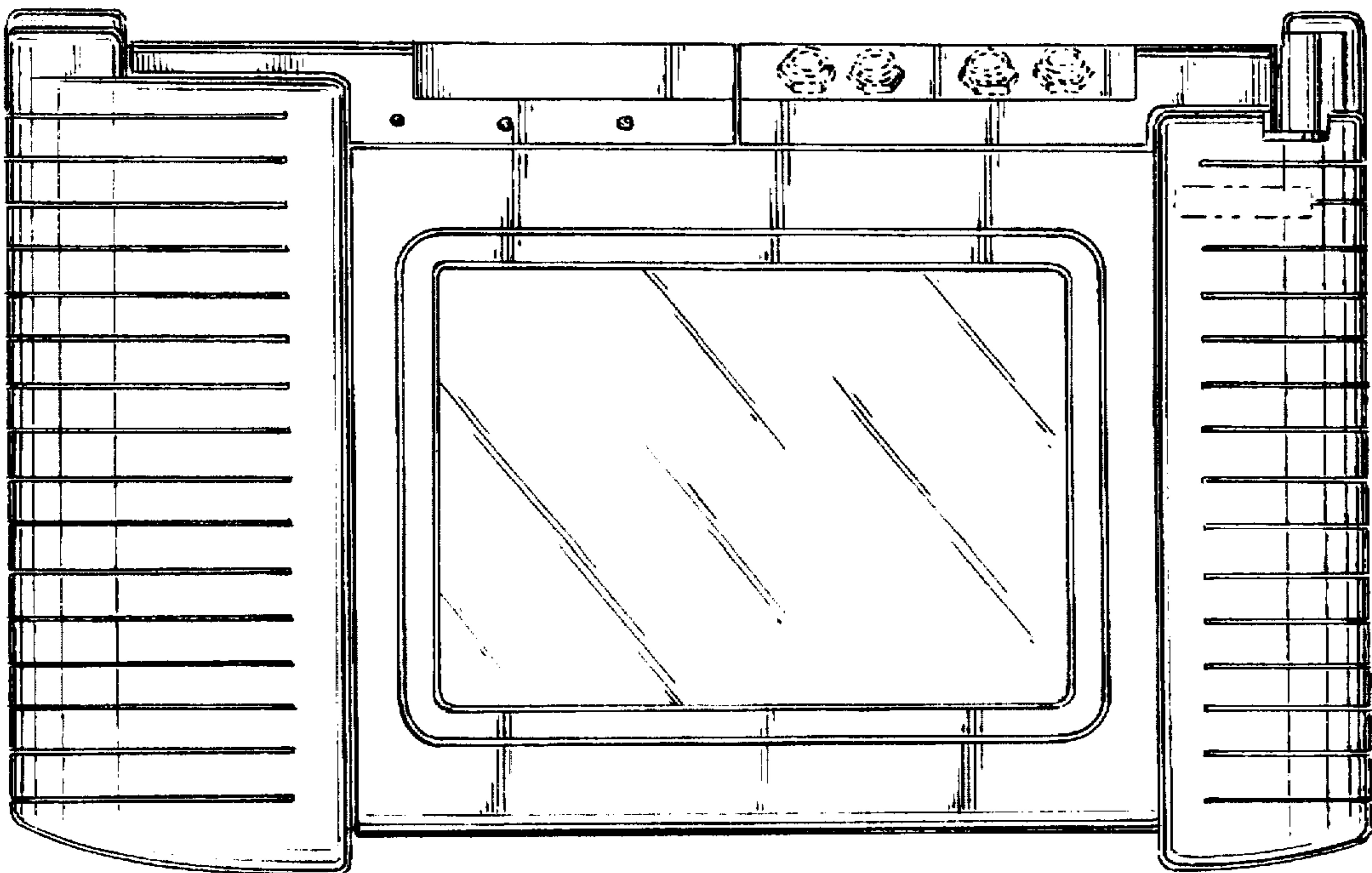


FIG. 2



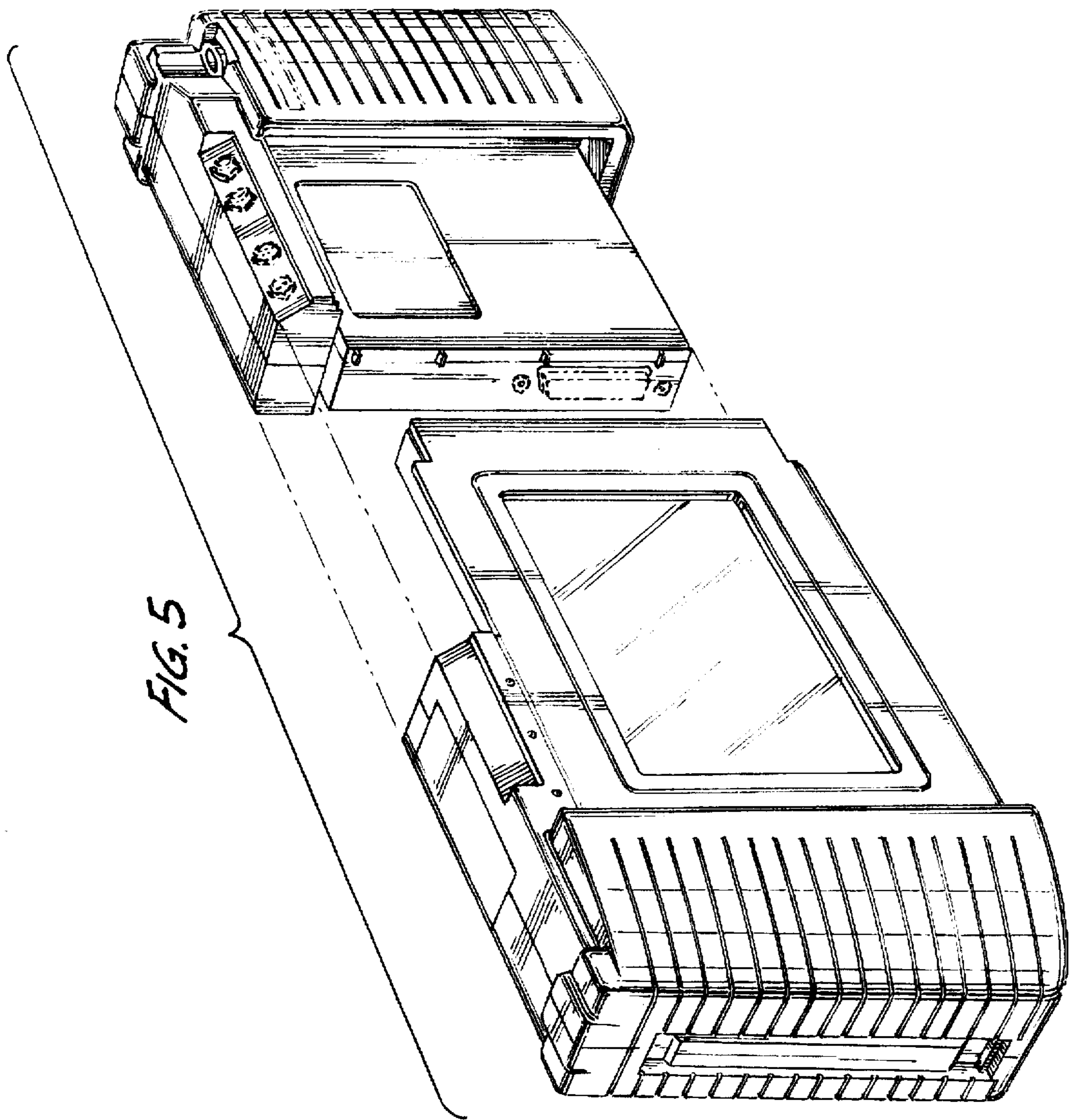


FIG. 4

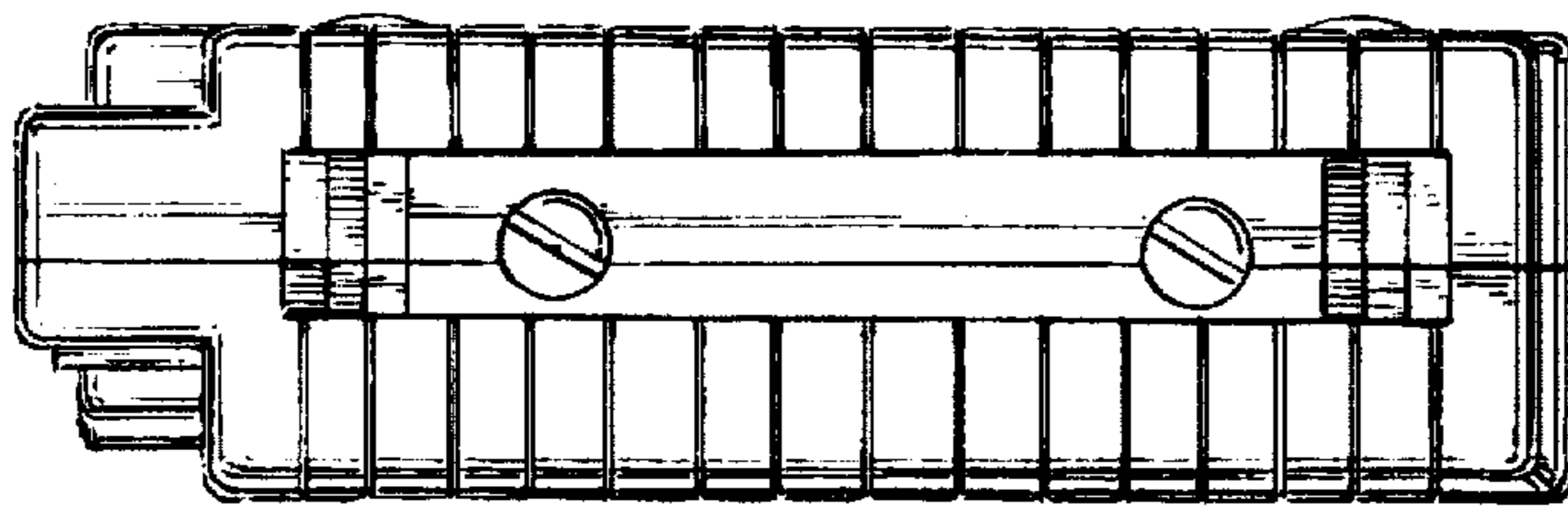


FIG. 3

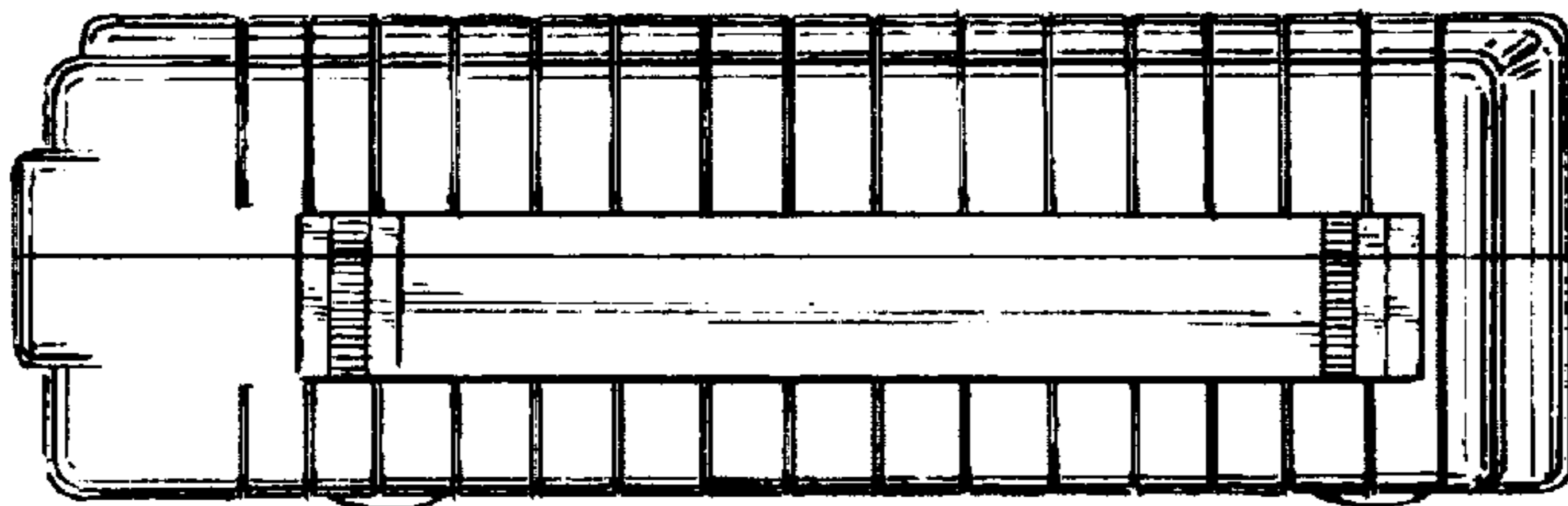


FIG. 6

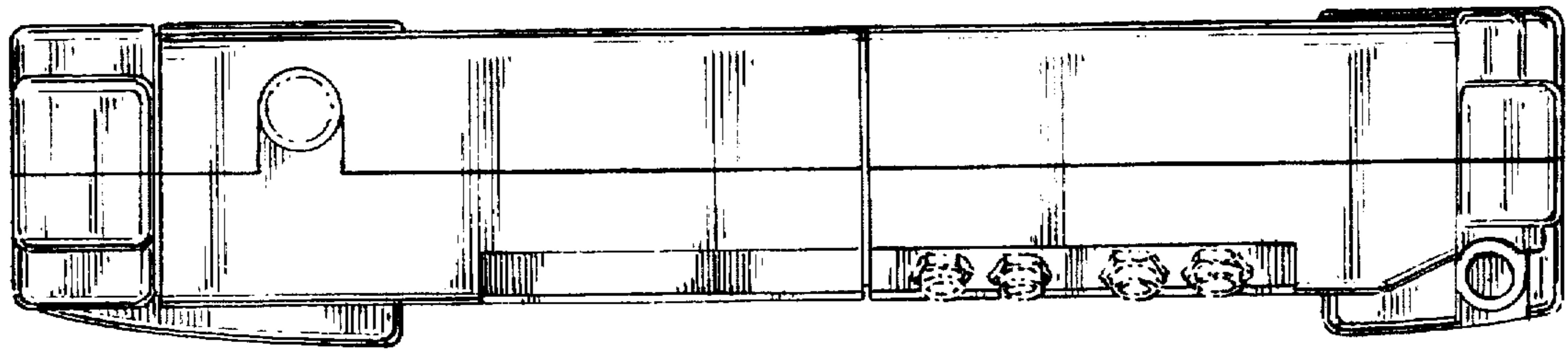


FIG. 7

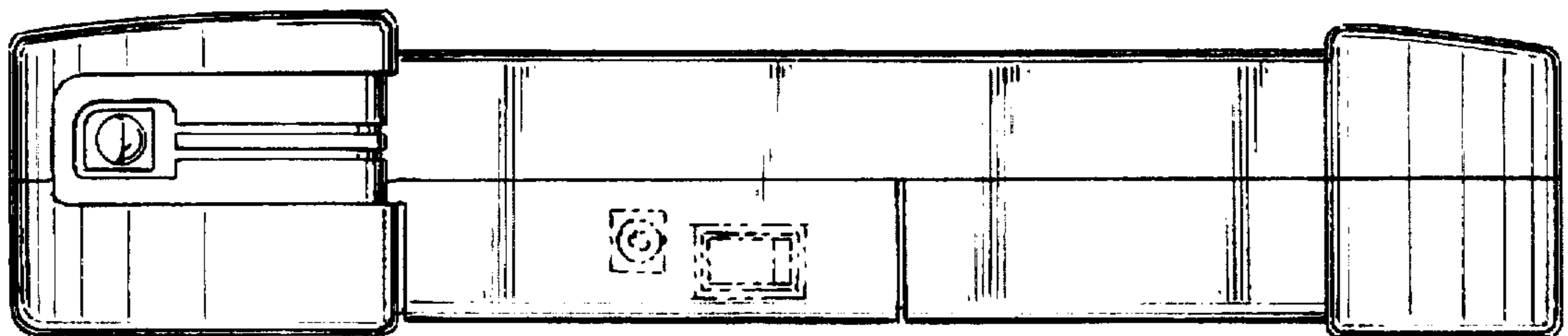


FIG. 8

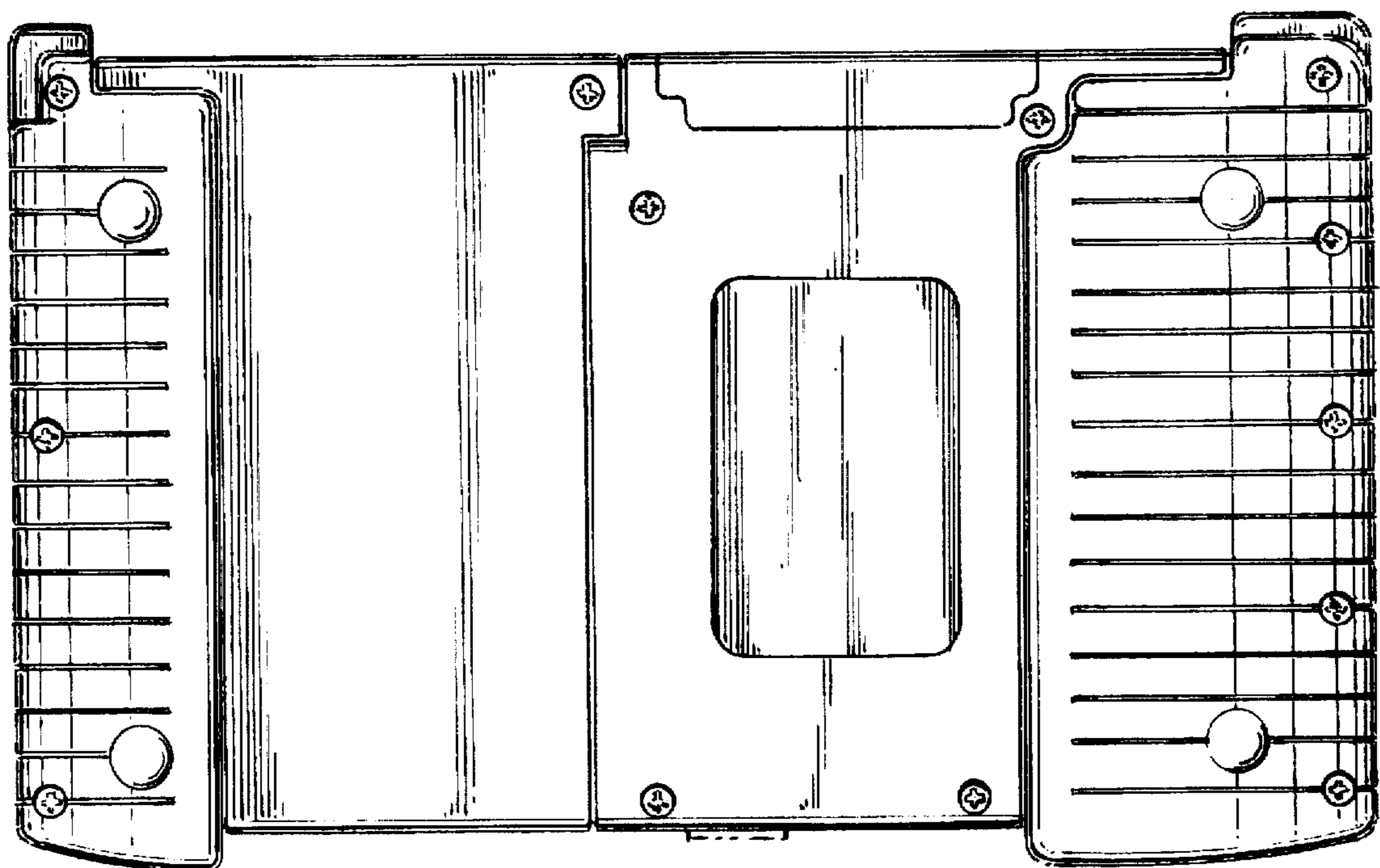


FIG. 9

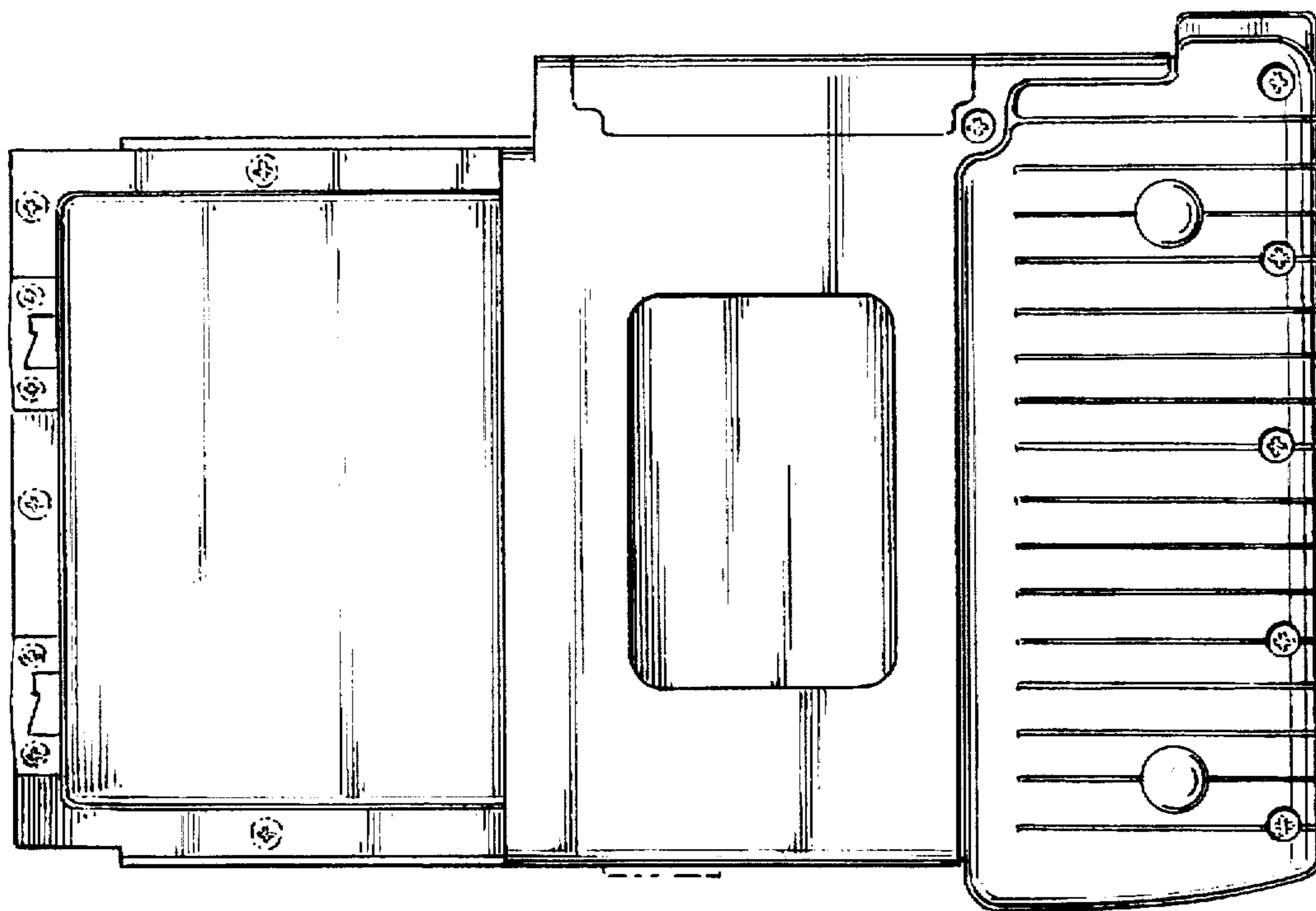


FIG. 10

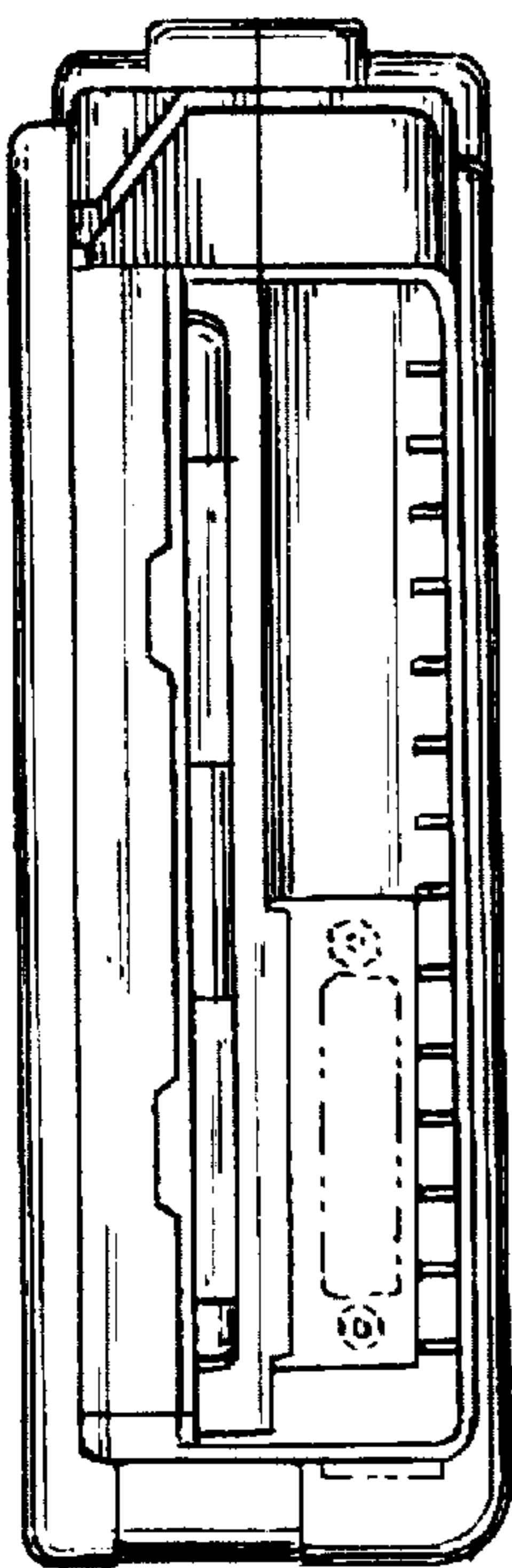


FIG. 11

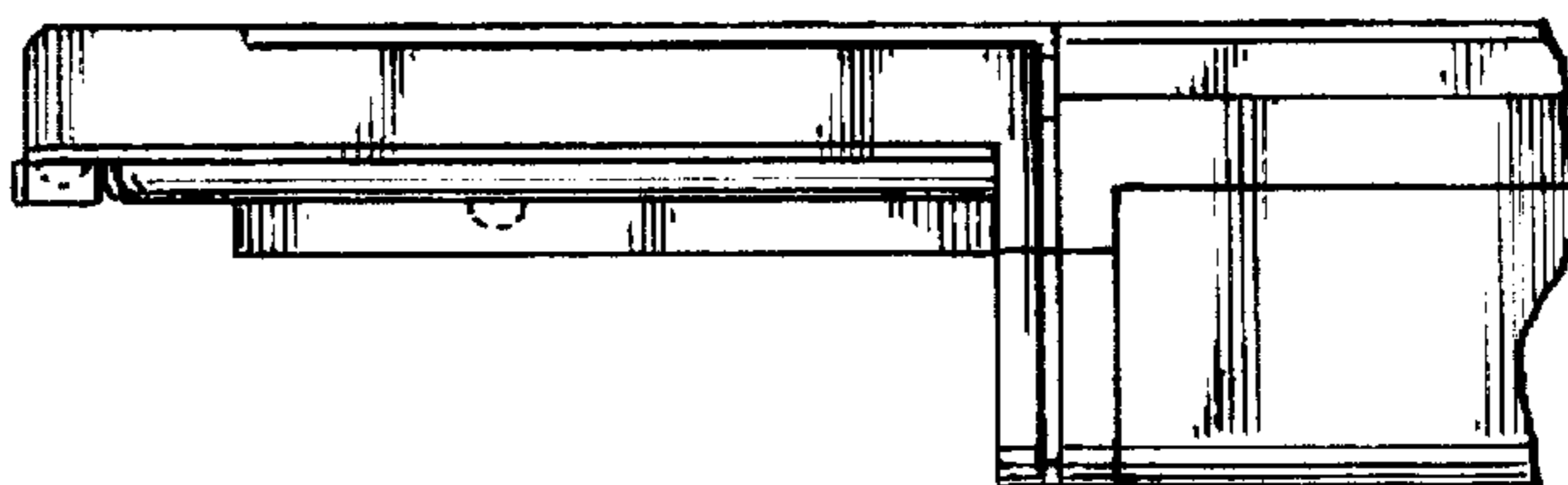


FIG. 12

