

US00D397035S

United States Patent [19]

[11] Patent Number: Des. 397,035

Young et al.

[45] Date of Patent: **Aug. 18, 1998

[54] **DISPENSER COVER**

4,759,478 7/1988 Richardson et al. 222/556

[75] Inventors: **Christopher J. Young**, Port Washington, N.Y.; **Brooks R. Markert**, Harwinton, Conn.

OTHER PUBLICATIONS

Anonymous, Dor Pak brochure, 4 pages, undated, Cincinnati, Ohio.

[73] Assignee: **C&N Packaging, Inc.**, Wyandanch, N.Y.

Primary Examiner—James Gandy
Assistant Examiner—Cathron B. Matta
Attorney, Agent, or Firm—Hoffmann & Baron, LLP

[**] Term: **14 Years**

[57] **CLAIM**

[21] Appl. No.: **60,524**

The ornamental design for a dispenser cover, as shown and described.

[22] Filed: **Sep. 30, 1996**

[51] **LOC (6) Cl.** **09-07**

DESCRIPTION

[52] **U.S. Cl.** **D9/449**

FIG. 1 is a top perspective view of a dispenser cover showing our new design;

[58] **Field of Search** D9/435, 440, 446, D9/447, 449, 420, 423; D7/629, 630, 391, 392; 220/254, 334-339; 222/556, 557, 517; 215/235-237

FIG. 2 is a bottom perspective view thereof;

FIG. 3 is a top plan view thereof;

FIG. 4 is a bottom plan view thereof;

FIG. 5 is a right side elevation view thereof;

FIG. 6 is a left side elevation view thereof;

FIG. 7 is a rear elevation view thereof;

FIG. 8 is a front elevation view thereof; and,

FIG. 9 is a top perspective view thereof on a reduced scale showing the dispenser cover in place on a box.

The broken line illustration of the box, which appears in drawing FIG. 9, is for illustrative purposes only and forms no part of the claimed design.

[56] **References Cited**

U.S. PATENT DOCUMENTS

D. 277,724	2/1985	Daenen et al.	D7/392
D. 278,115	3/1985	Leininger	D7/392
D. 319,786	9/1991	Rayner	D9/446 X
D. 348,834	7/1994	Wardell, Jr.	D9/435
2,764,199	9/1956	Tupper	220/254
3,095,995	7/1963	Foster	220/339
3,297,192	1/1967	Swett	220/338
4,491,252	1/1985	Schmidt et al.	D9/447 X

1 Claim, 7 Drawing Sheets

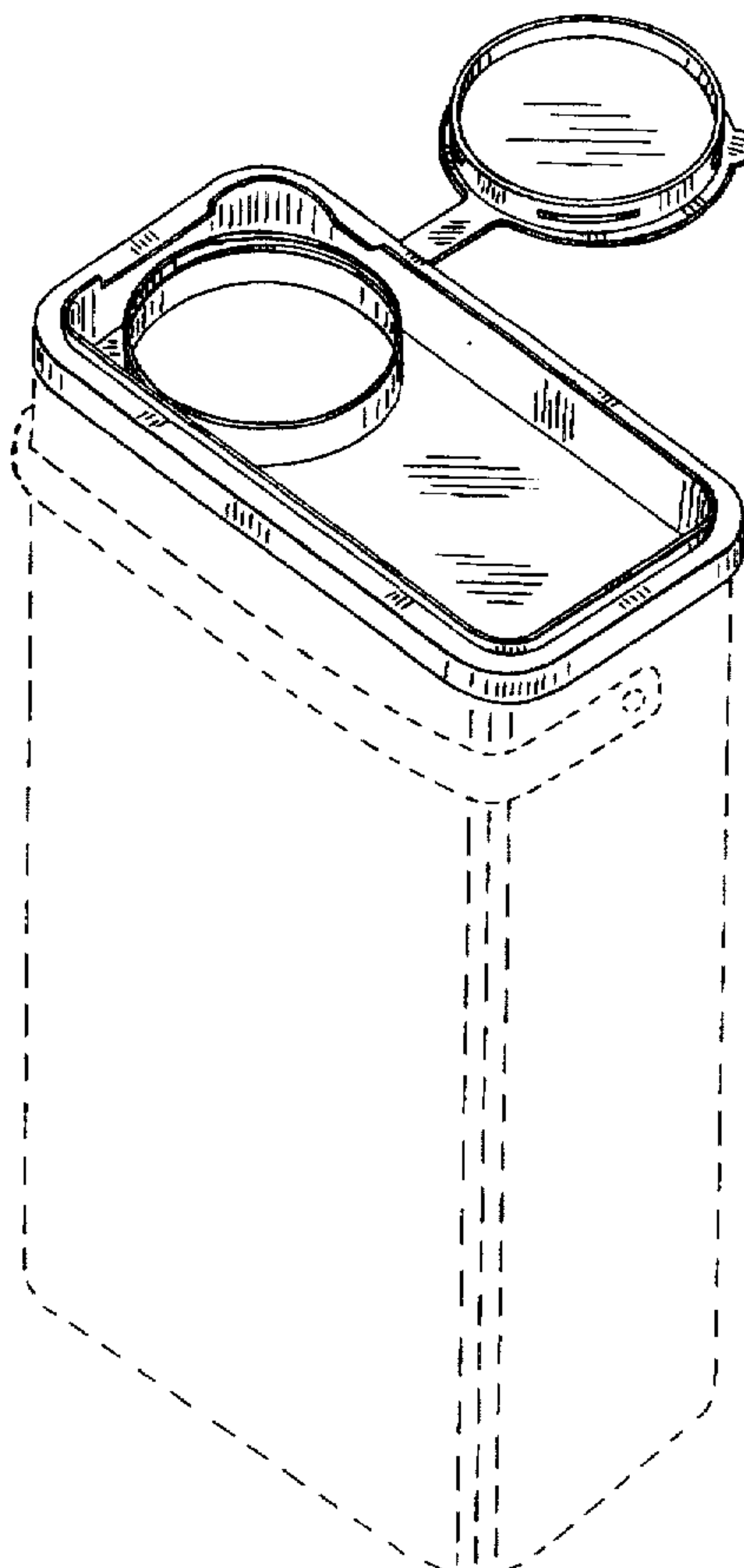
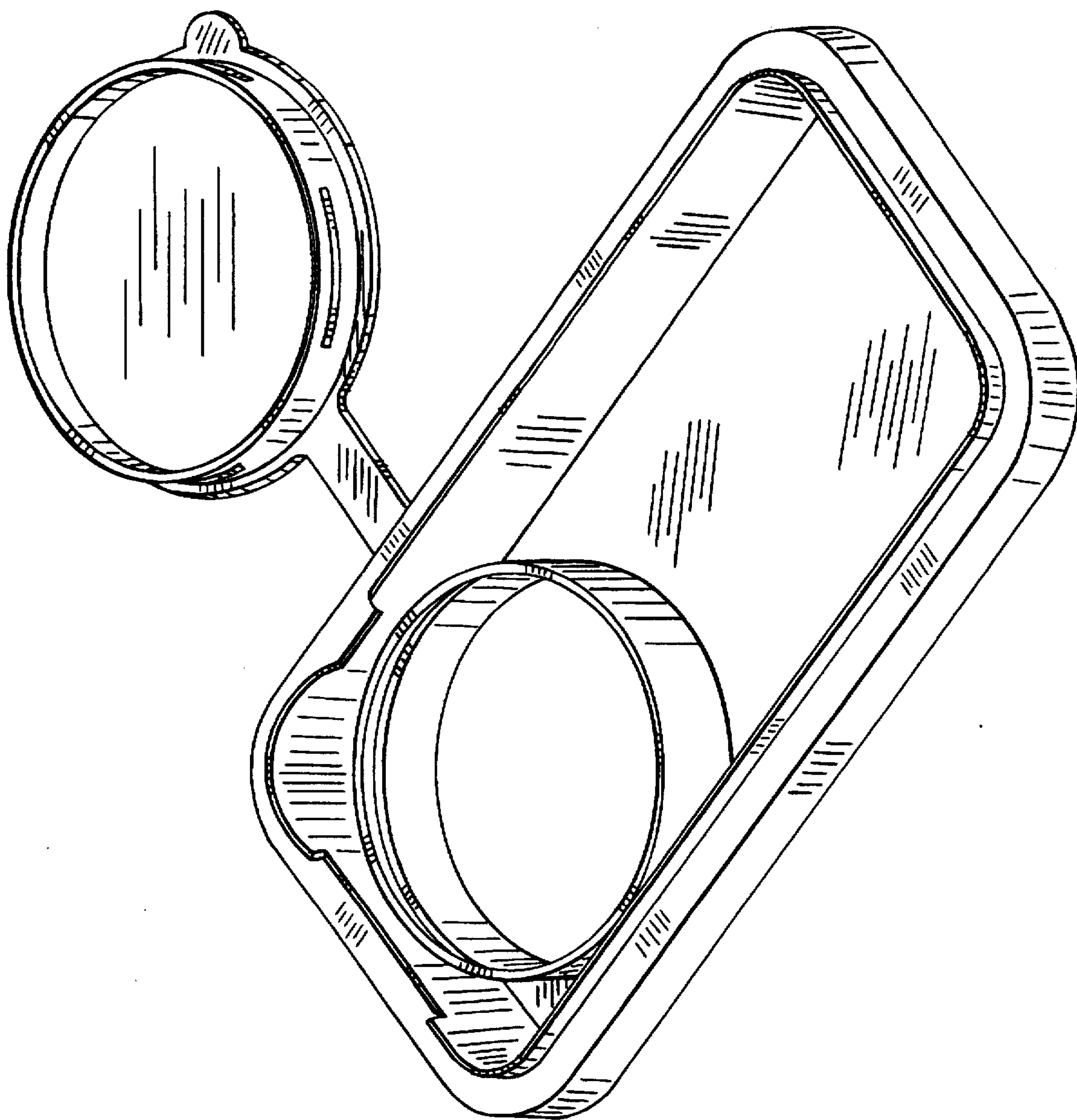


FIG. 1



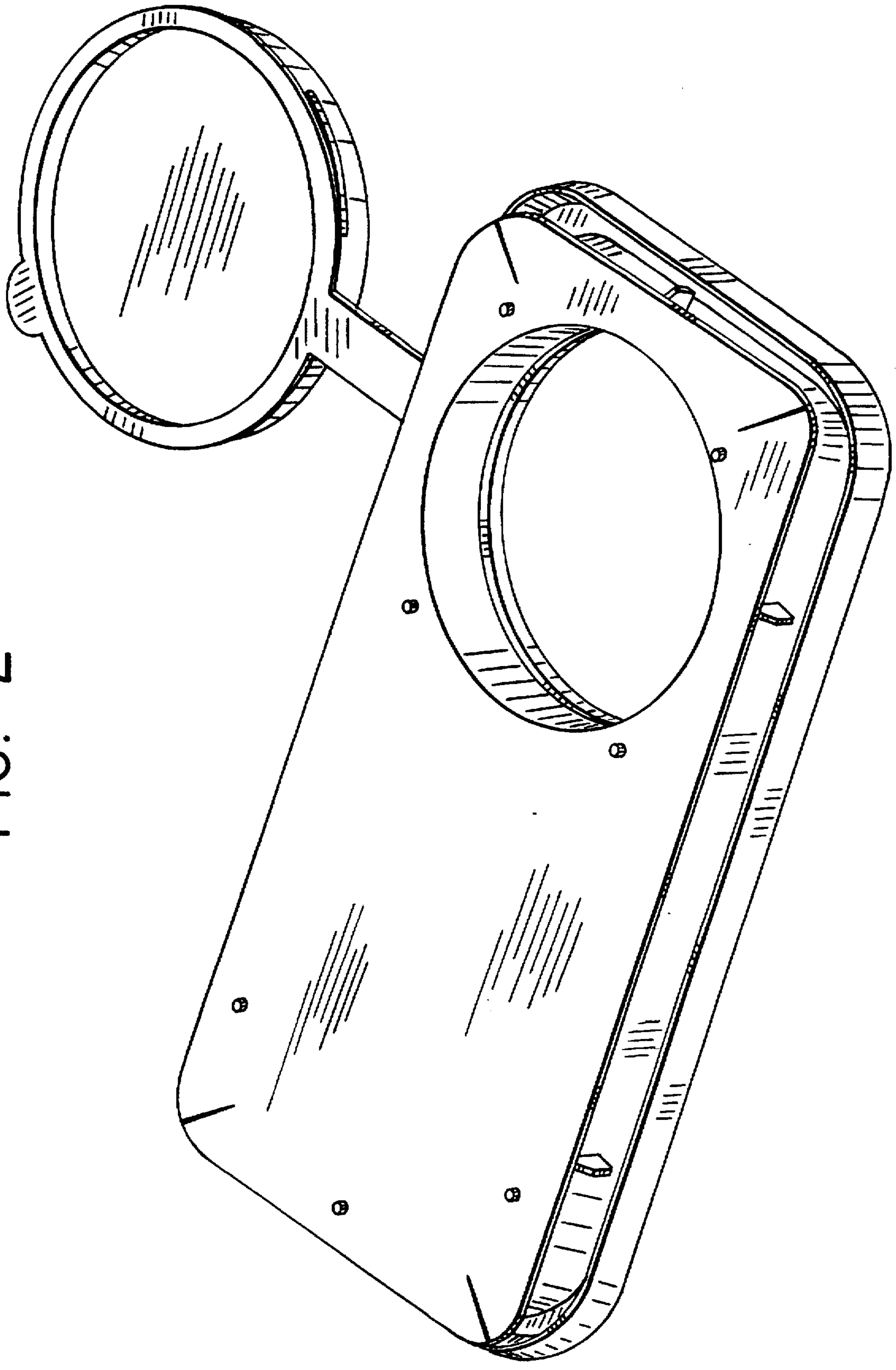


FIG. 2

FIG. 3

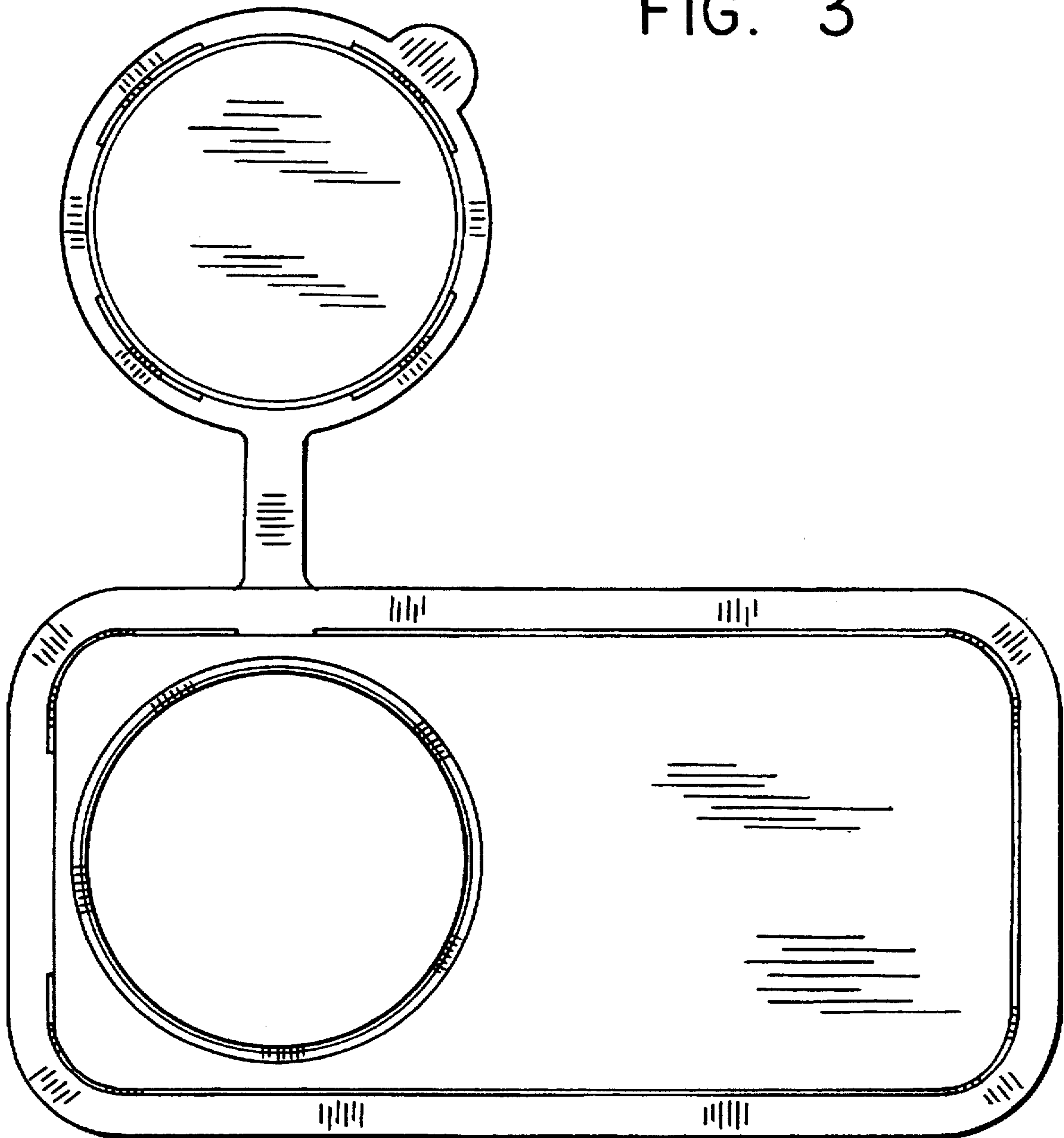


FIG. 4

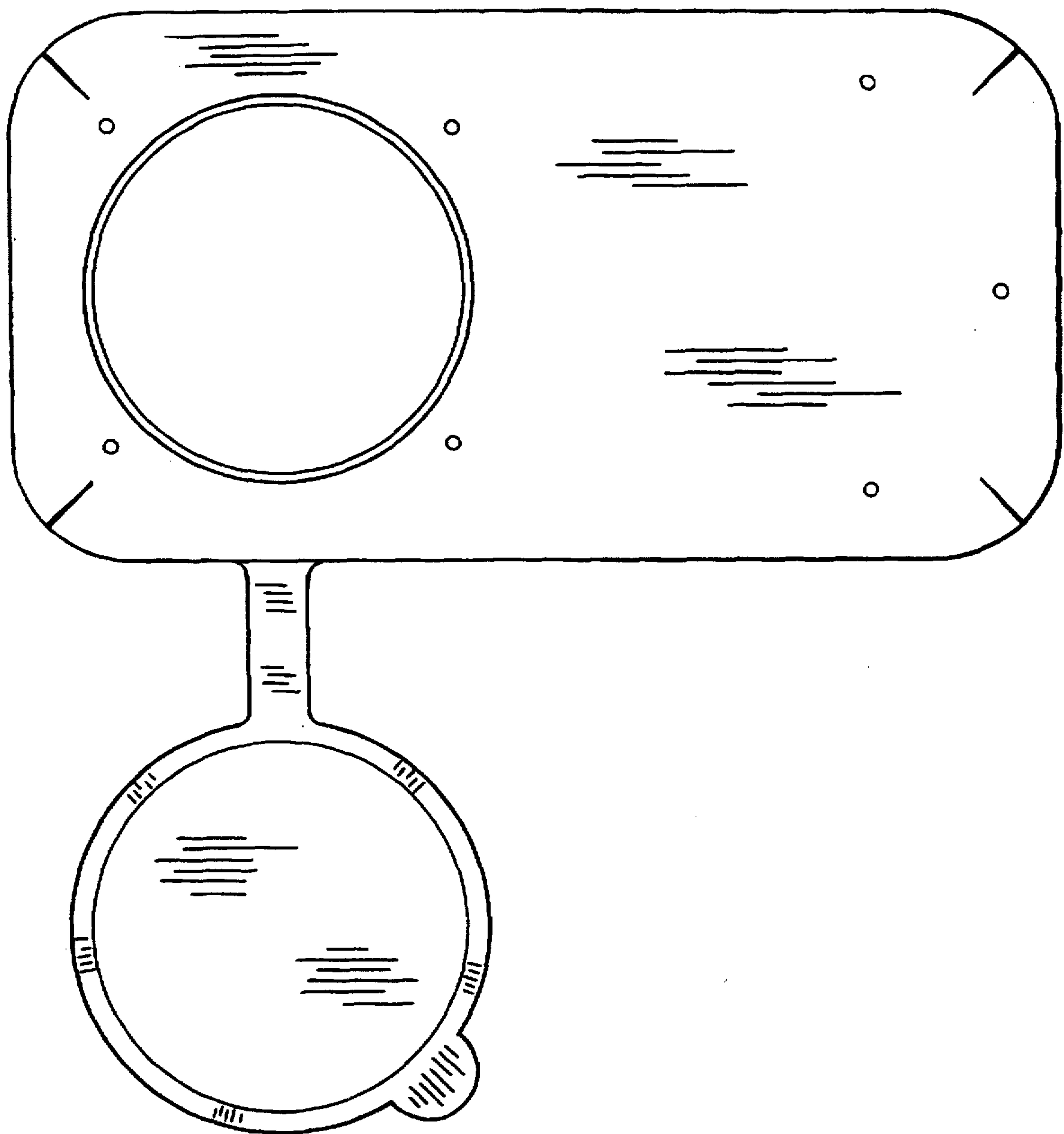


FIG. 5

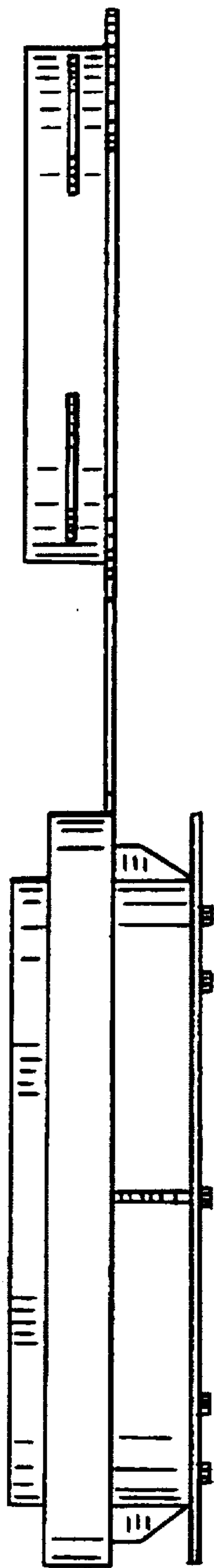


FIG. 6

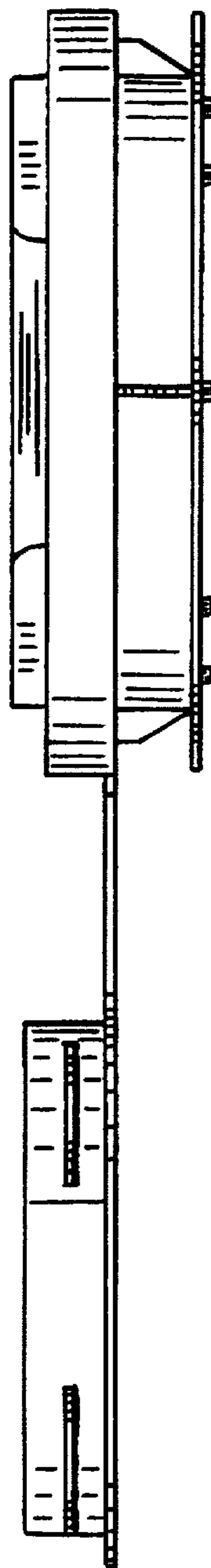


FIG. 7

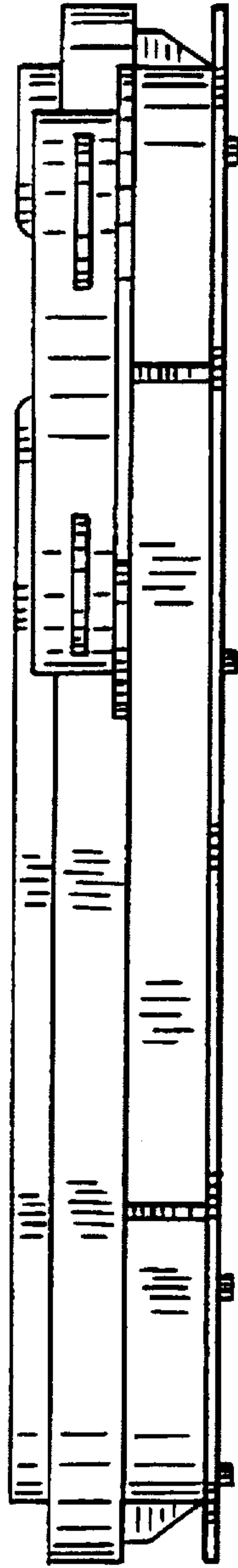


FIG. 8

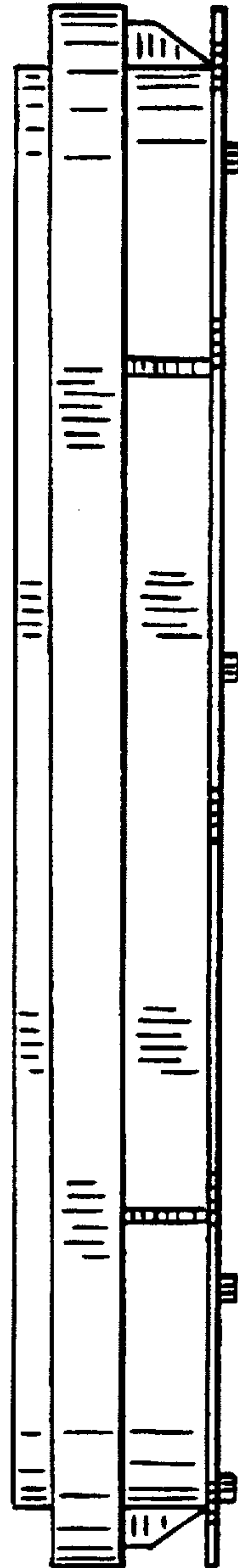


FIG. 9

