



US00D397030S

United States Patent [19]
Lawson

[11] **Patent Number: Des. 397,030**
[45] **Date of Patent: **Aug. 18, 1998**

[54] **SUPPLEMENTAL RESTRAINT SYSTEM (SRS) ANTI-THEFT FASTENER**

[75] **Inventor: William R. Lawson, Glenside, Pa.**

[73] **Assignee: R & B, Inc., Colmar, Pa.**

[**] **Term: 14 Years**

[21] **Appl. No.: 70,936**

[22] **Filed: May 14, 1997**

Related U.S. Application Data

[62] **Division of Ser. No. 51,953, Mar. 20, 1996.**

[51] **LOC (6) Cl. 08-08**

[52] **U.S. Cl. D8/387**

[58] **Field of Search D8/387; 411/378, 411/402, 403, 410, 911**

[56] **References Cited**

U.S. PATENT DOCUMENTS

3,241,408	3/1966	McCauley	81/71
4,285,255	8/1981	Winfrey	81/451
4,618,299	10/1986	Bainbridge et al.	411/374
4,648,293	3/1987	McCauley	81/436
4,664,000	5/1987	Bainbridge	81/451

Primary Examiner—B. J. Bullock

Attorney, Agent, or Firm—Volpe and Koenig, P.C.

[57] **CLAIM**

The ornamental design for a supplemental restraint system (SRS) anti-theft fastener, as shown and described.

DESCRIPTION

FIG. 1 is a perspective view of a supplemental restraint system anti-theft fastener;
 FIG. 2 is a front elevational view thereof;
 FIG. 3 is a left side elevational view thereof;
 FIG. 4 is a right side elevational view thereof;
 FIG. 5 is a top plan view thereof;
 FIG. 6 is a bottom plan view thereof;
 FIG. 7 is a rear elevational view thereof;
 FIG. 8 is a perspective view of a second embodiment of a supplemental restraint system anti-theft fastener;
 FIG. 9 is a front elevational view thereof;
 FIG. 10 is a left side elevational view thereof;
 FIG. 11 is a right side elevational view thereof;
 FIG. 12 is a top plan view thereof;
 FIG. 13 is a bottom plan view thereof;
 FIG. 14 is a rear elevational view thereof;
 FIG. 15 is a perspective view of a third embodiment of a supplemental restraint system anti-theft fastener;
 FIG. 16 is a front elevational view thereof;
 FIG. 17 is a left side elevational view thereof;
 FIG. 18 is a right side elevational view thereof;
 FIG. 19 is a top plan view thereof;
 FIG. 20 is a bottom plan view thereof; and,
 FIG. 21 is a rear elevational view thereof.

1 Claim, 3 Drawing Sheets

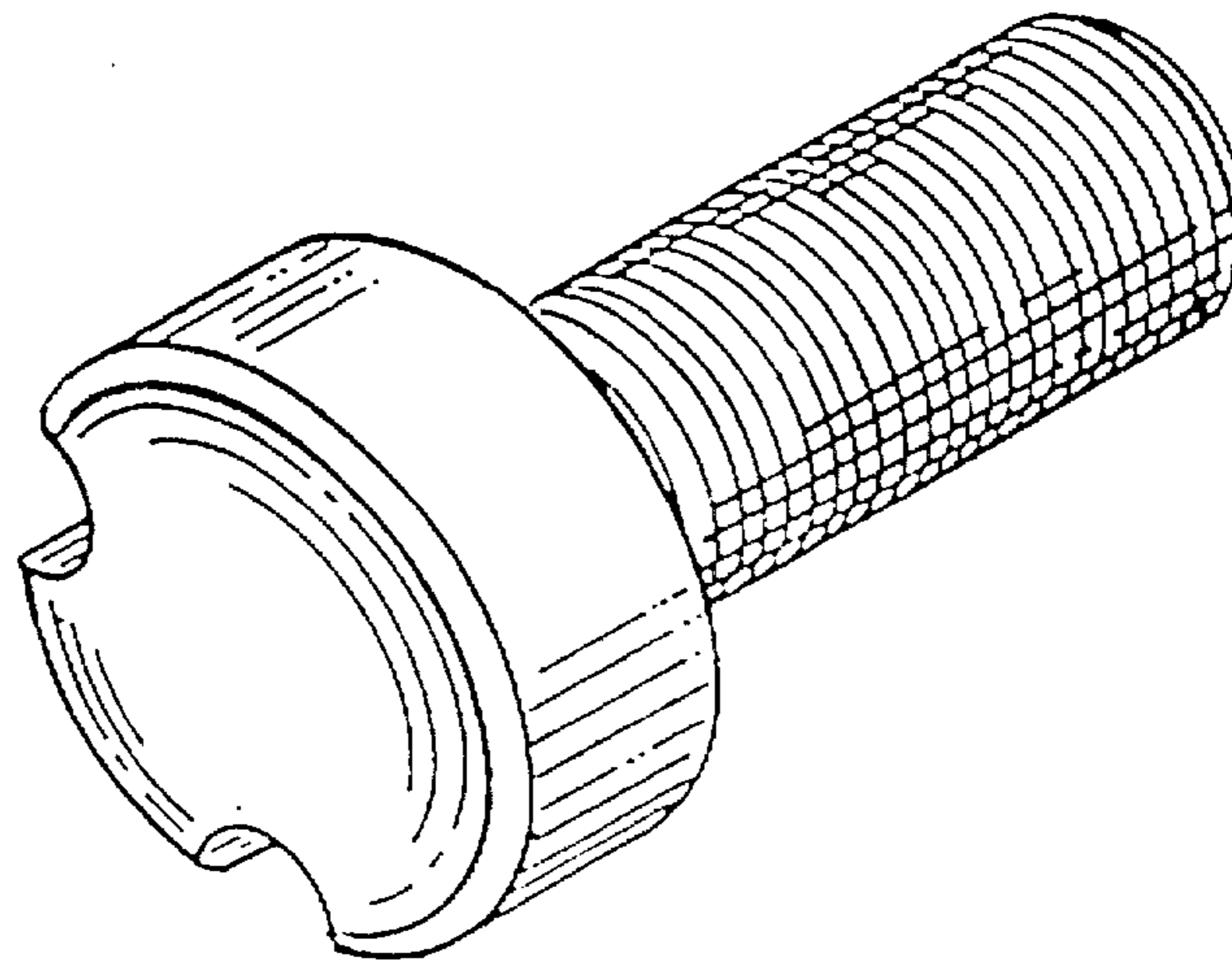


Fig. 1

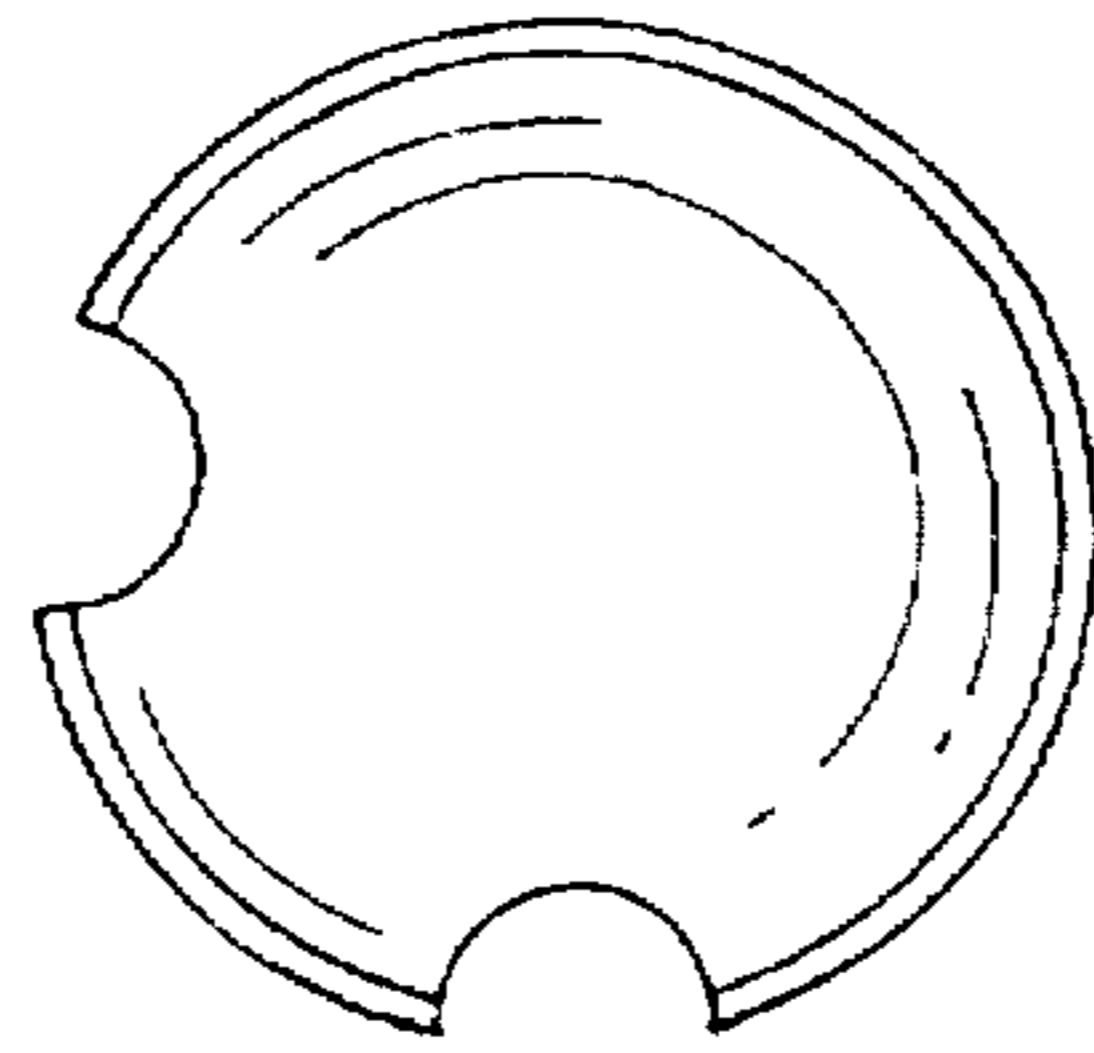
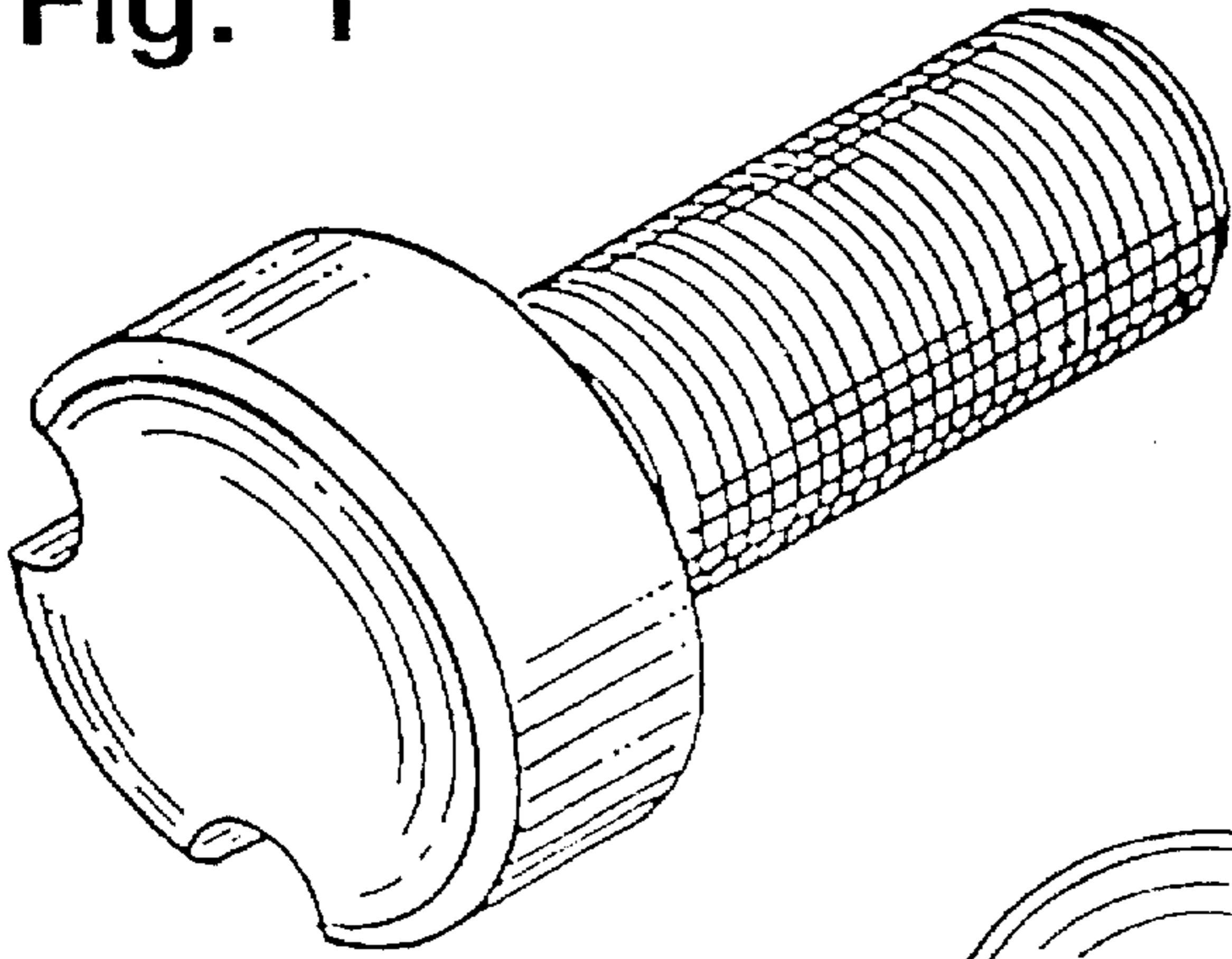


Fig. 5

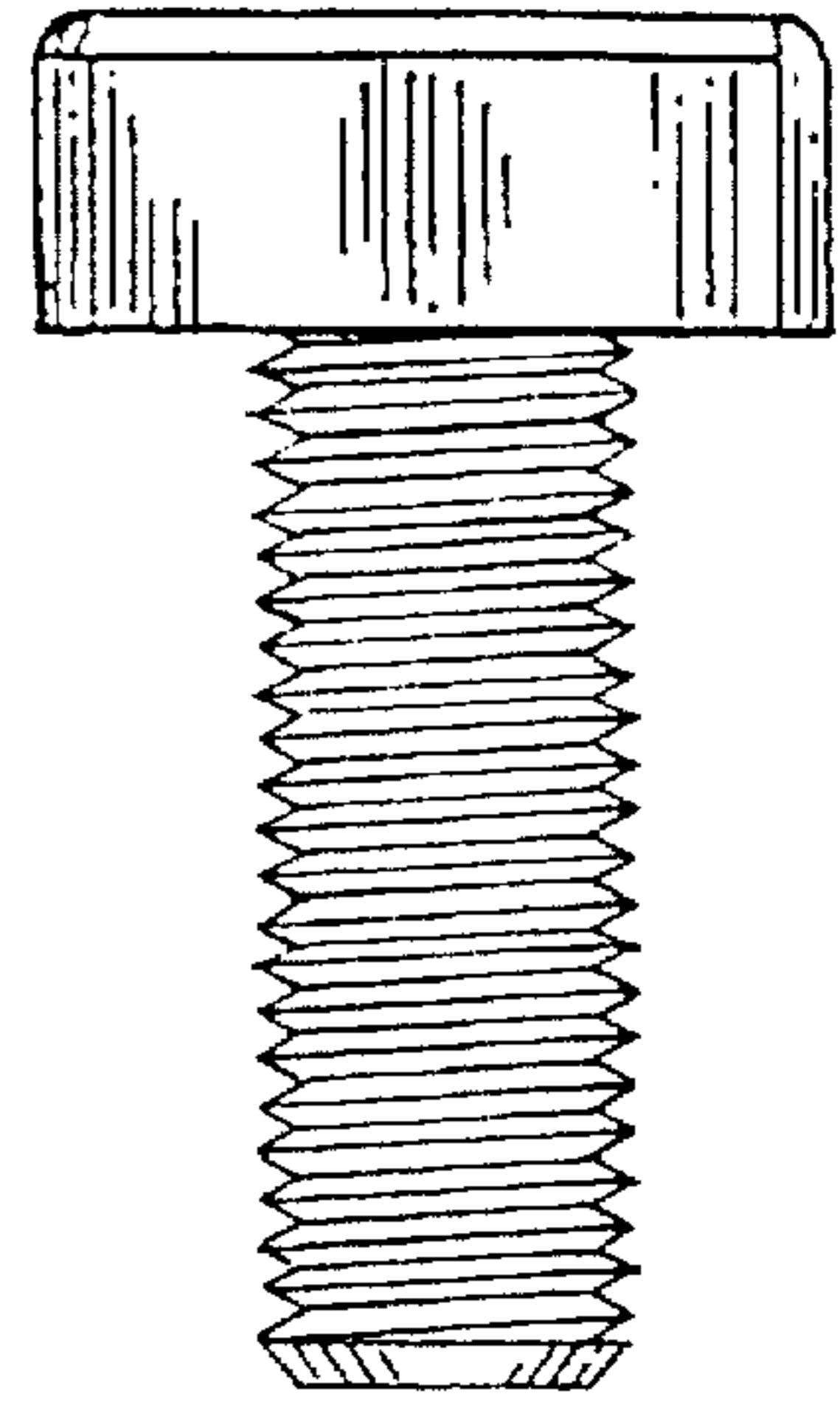


Fig. 7

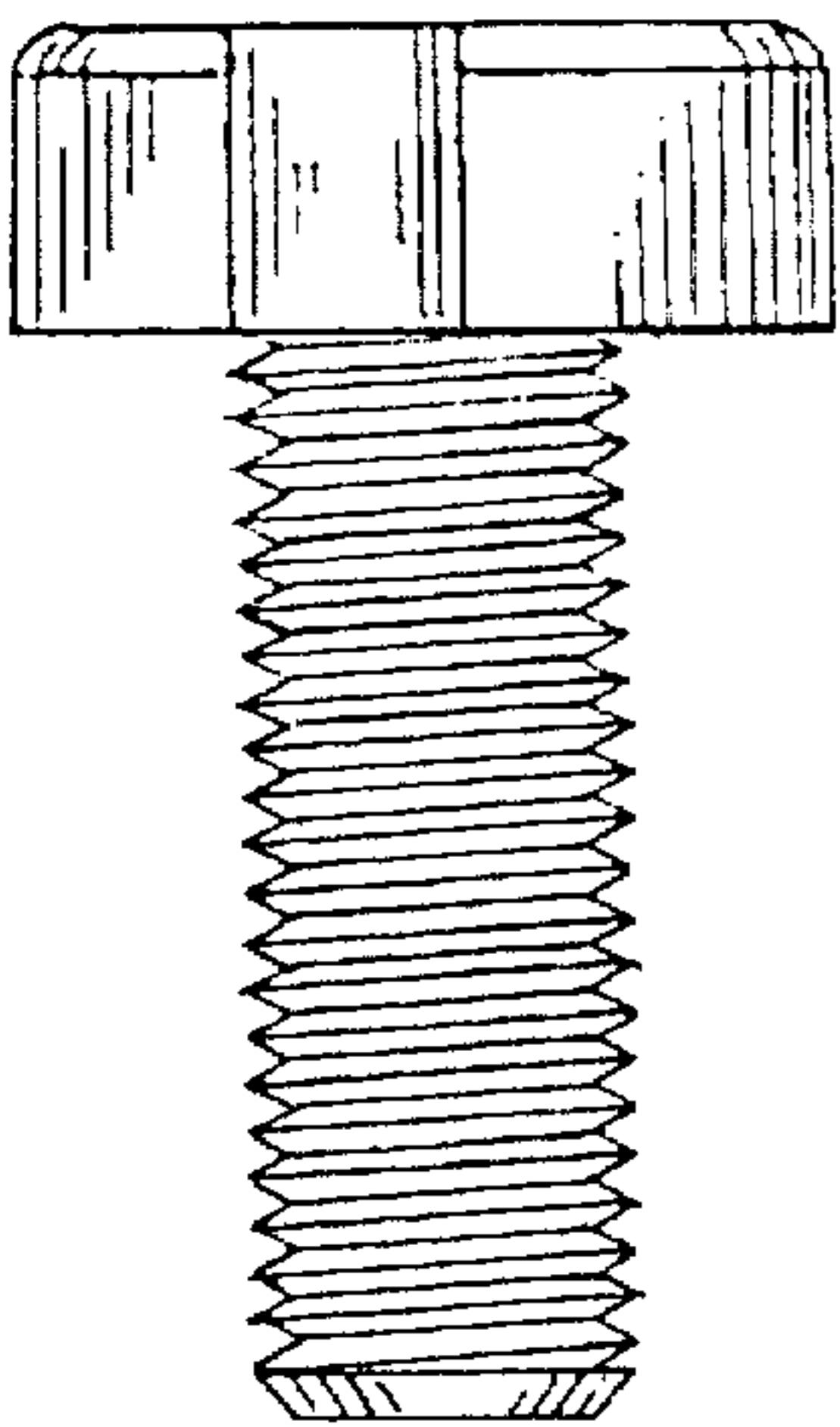


Fig. 3

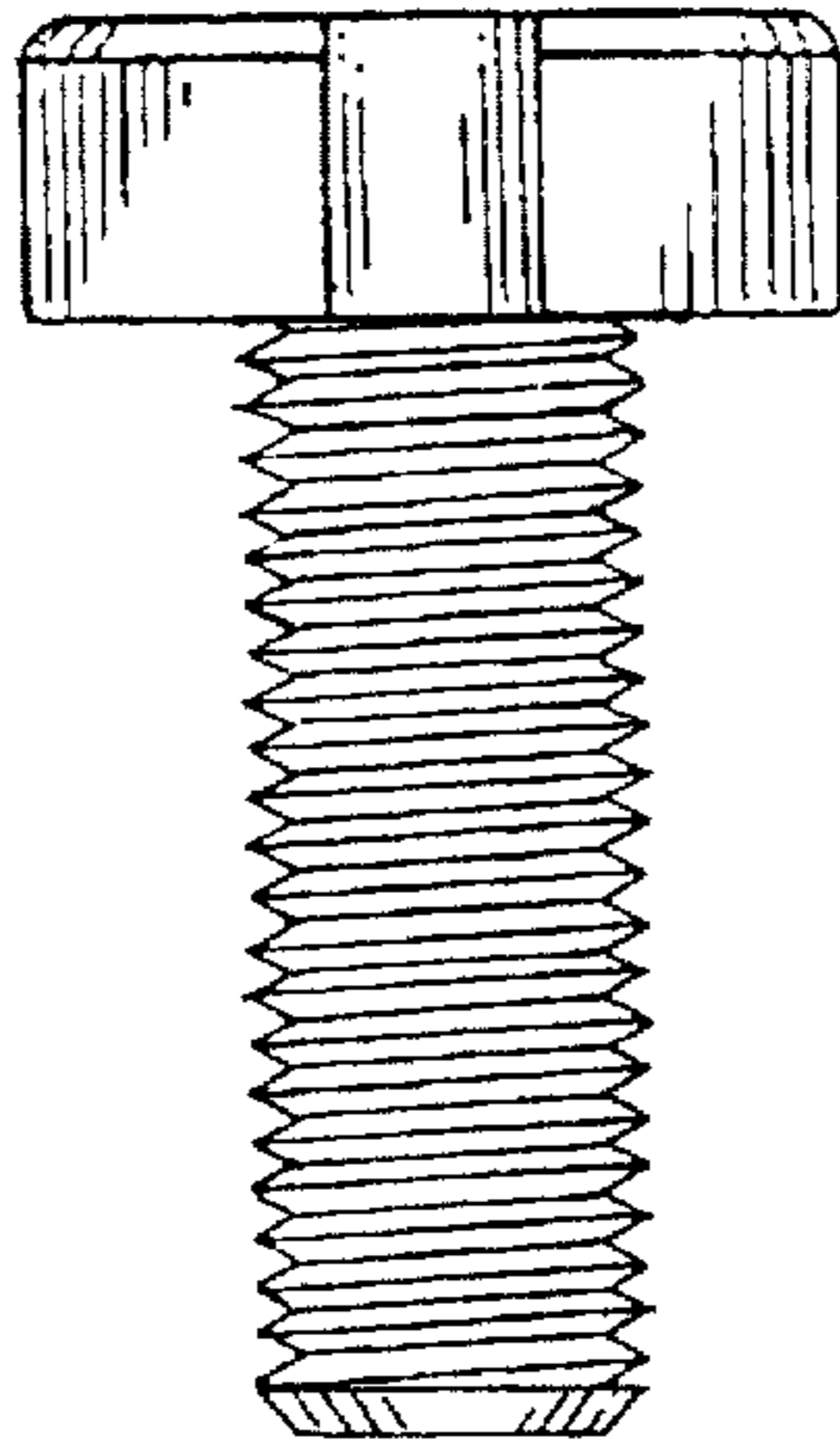


Fig. 2

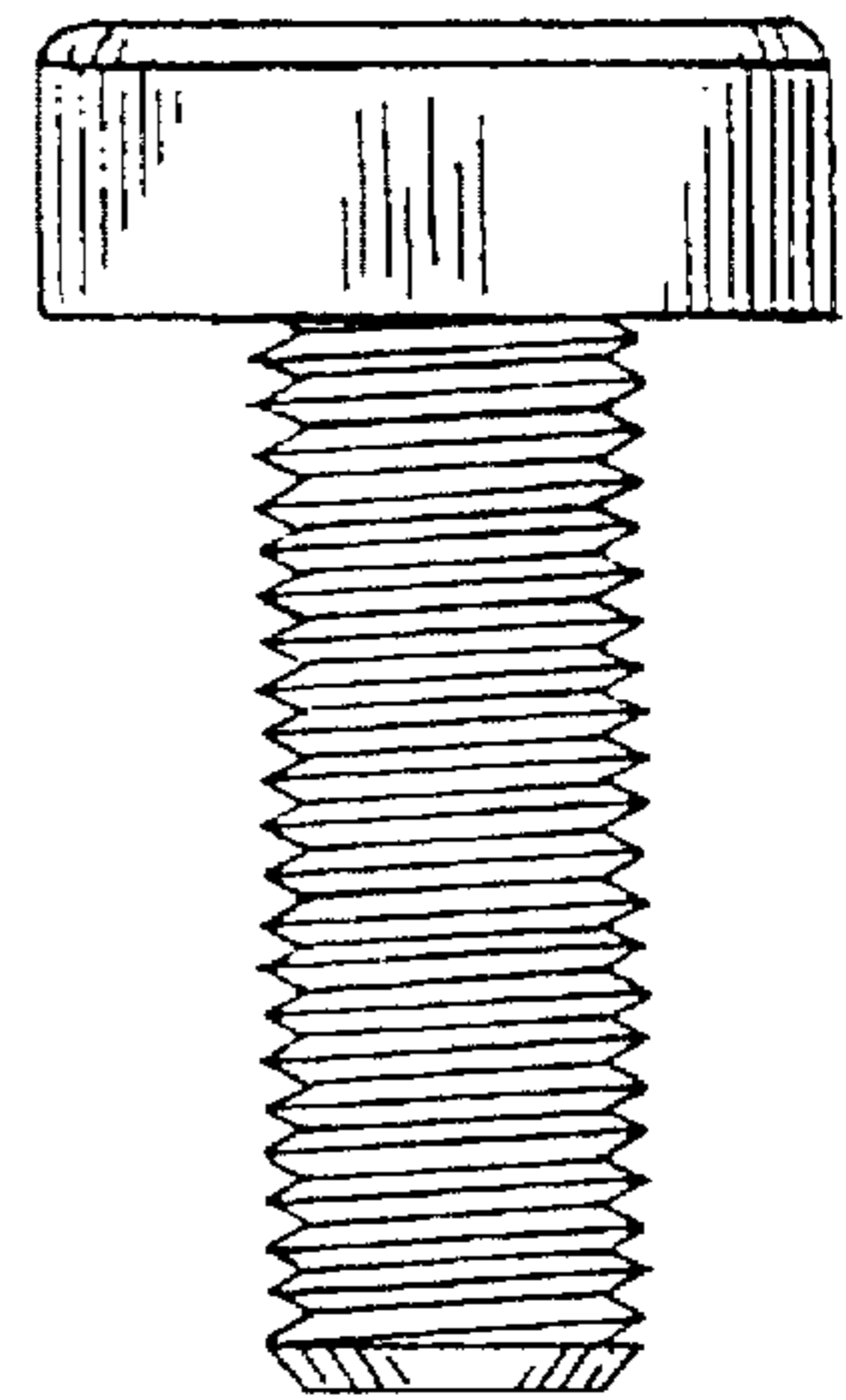


Fig. 4

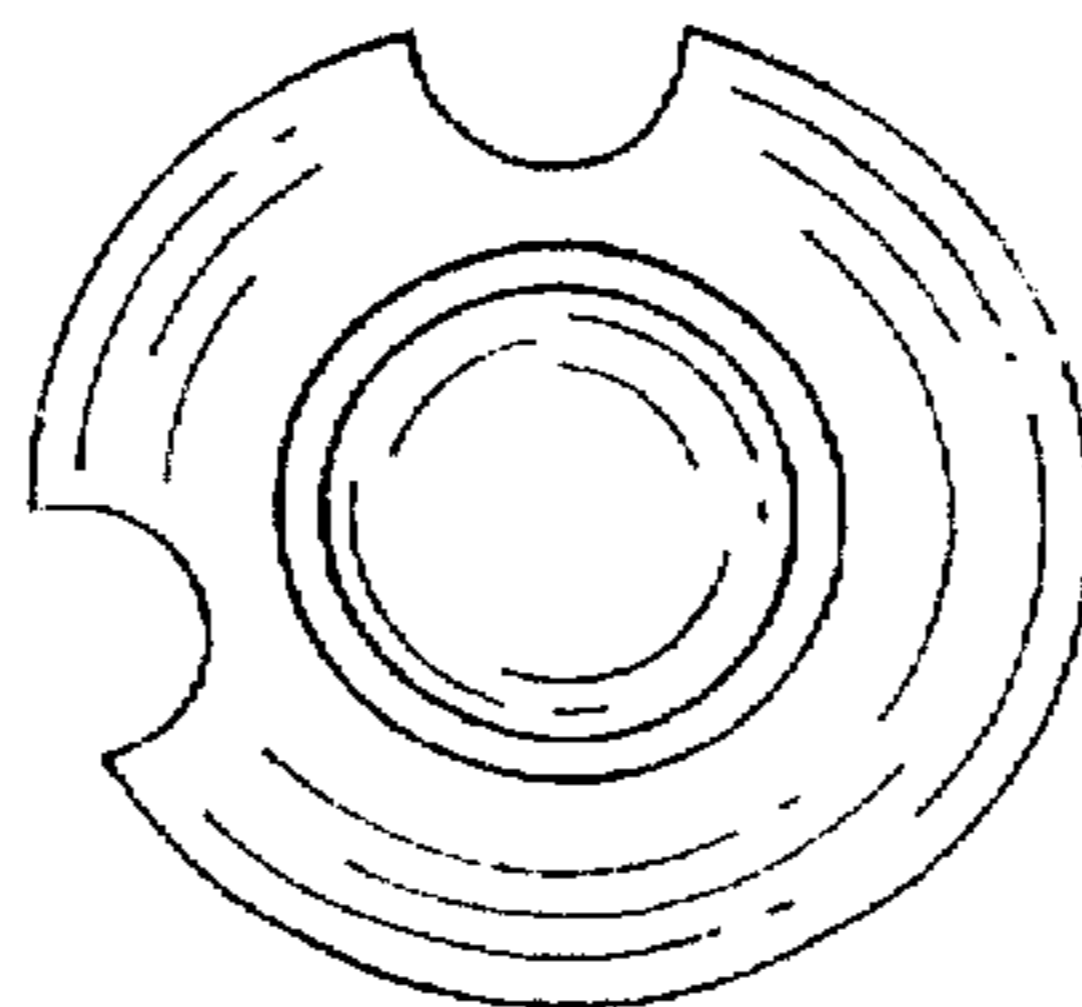


Fig. 6

Fig. 8

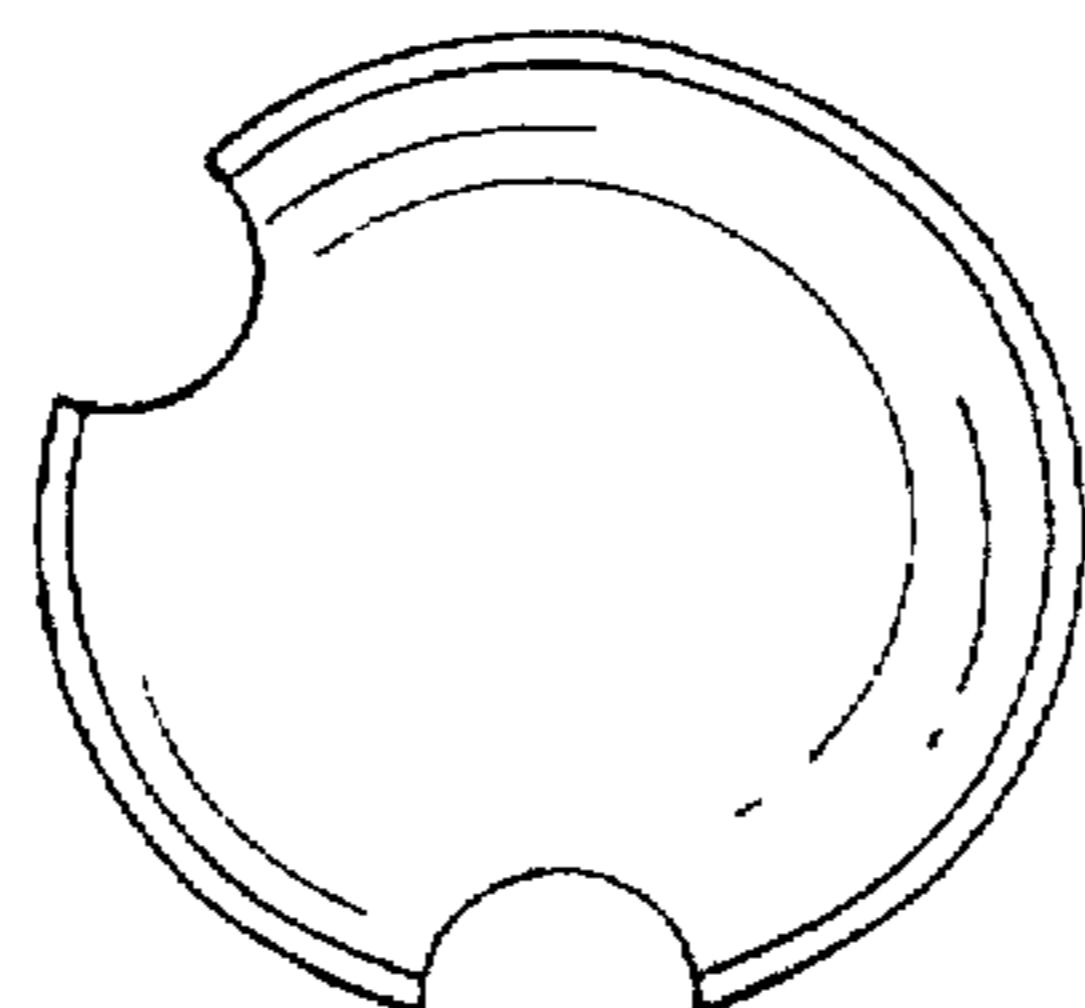
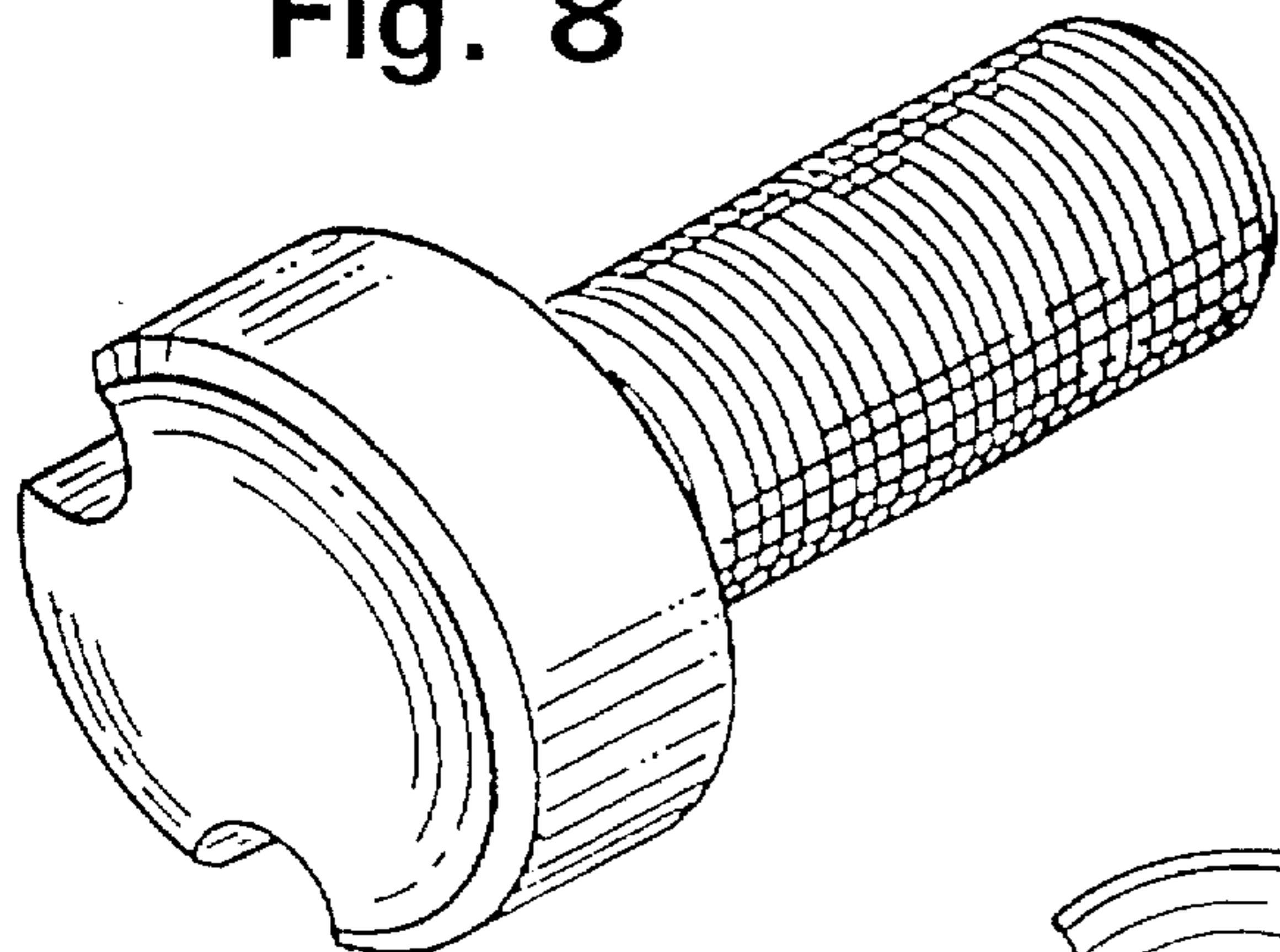


Fig. 12

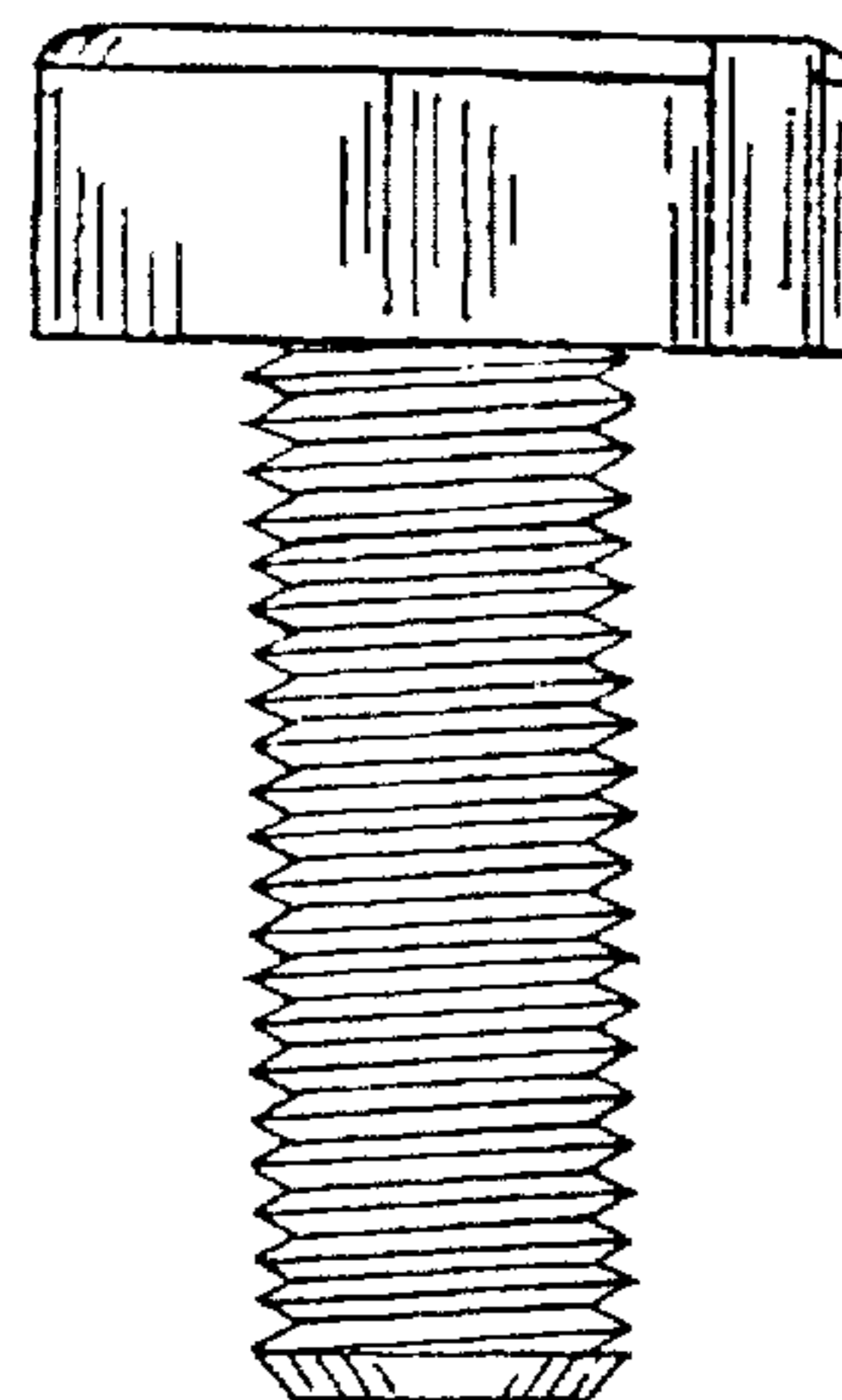


Fig. 14

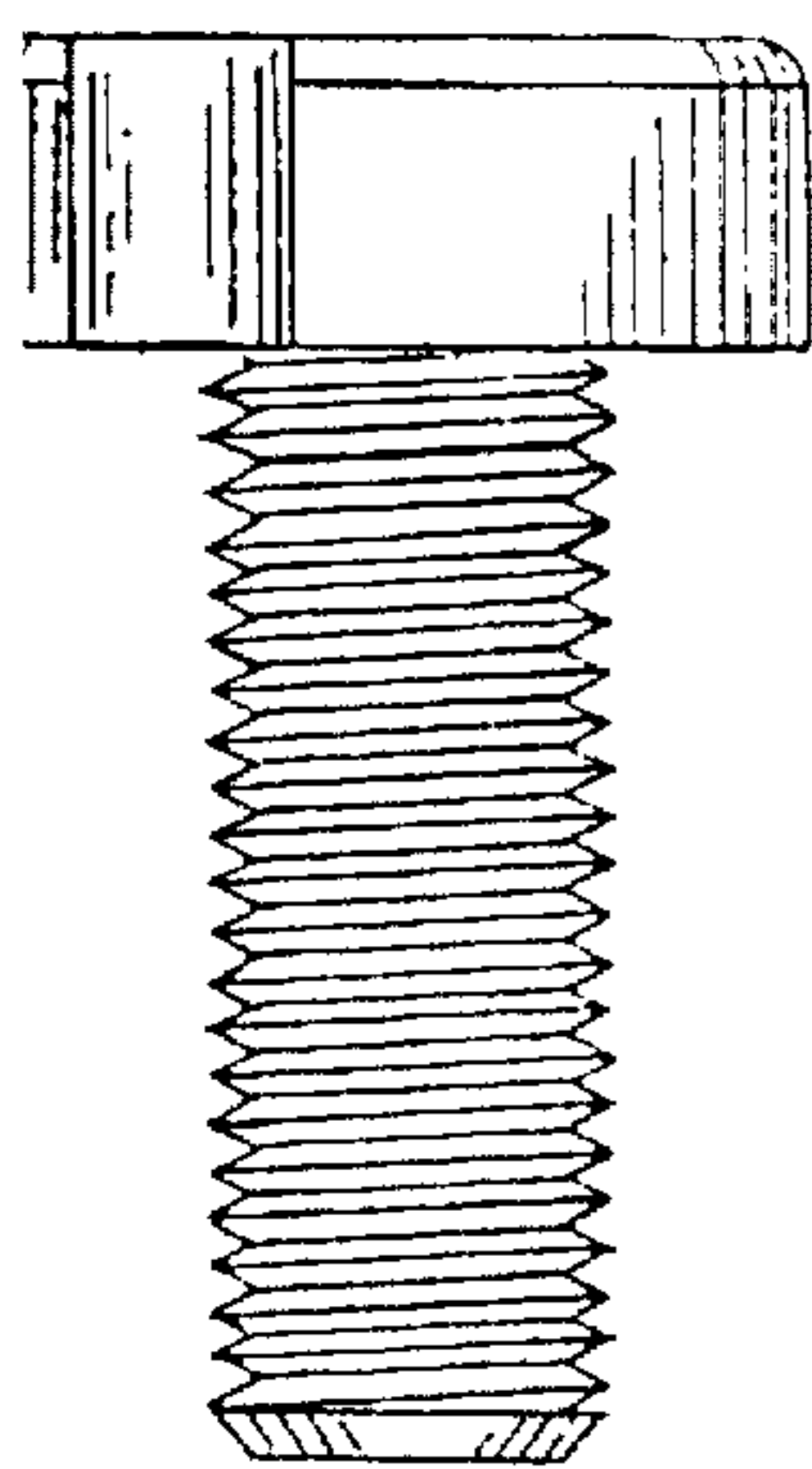


Fig. 10

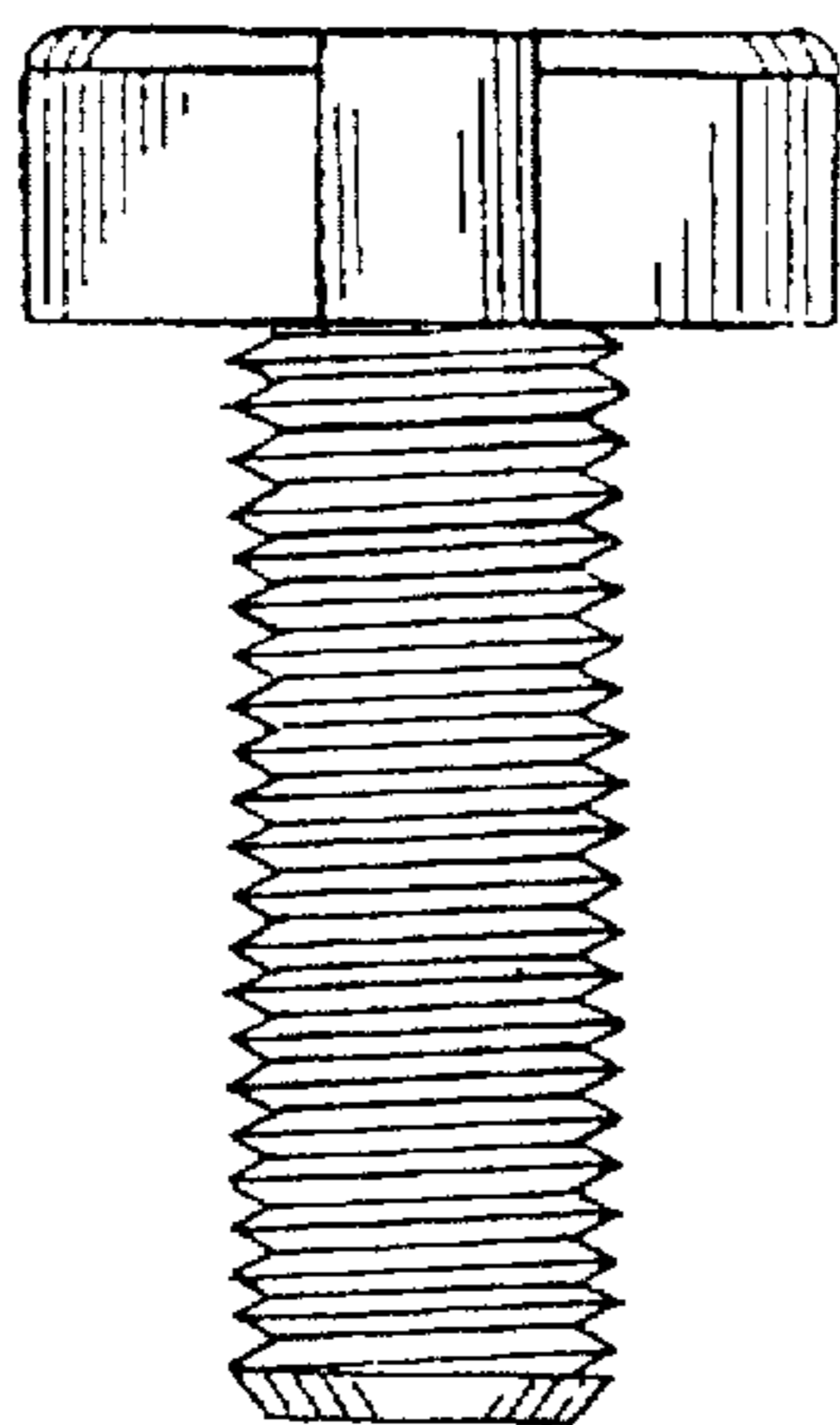


Fig. 9

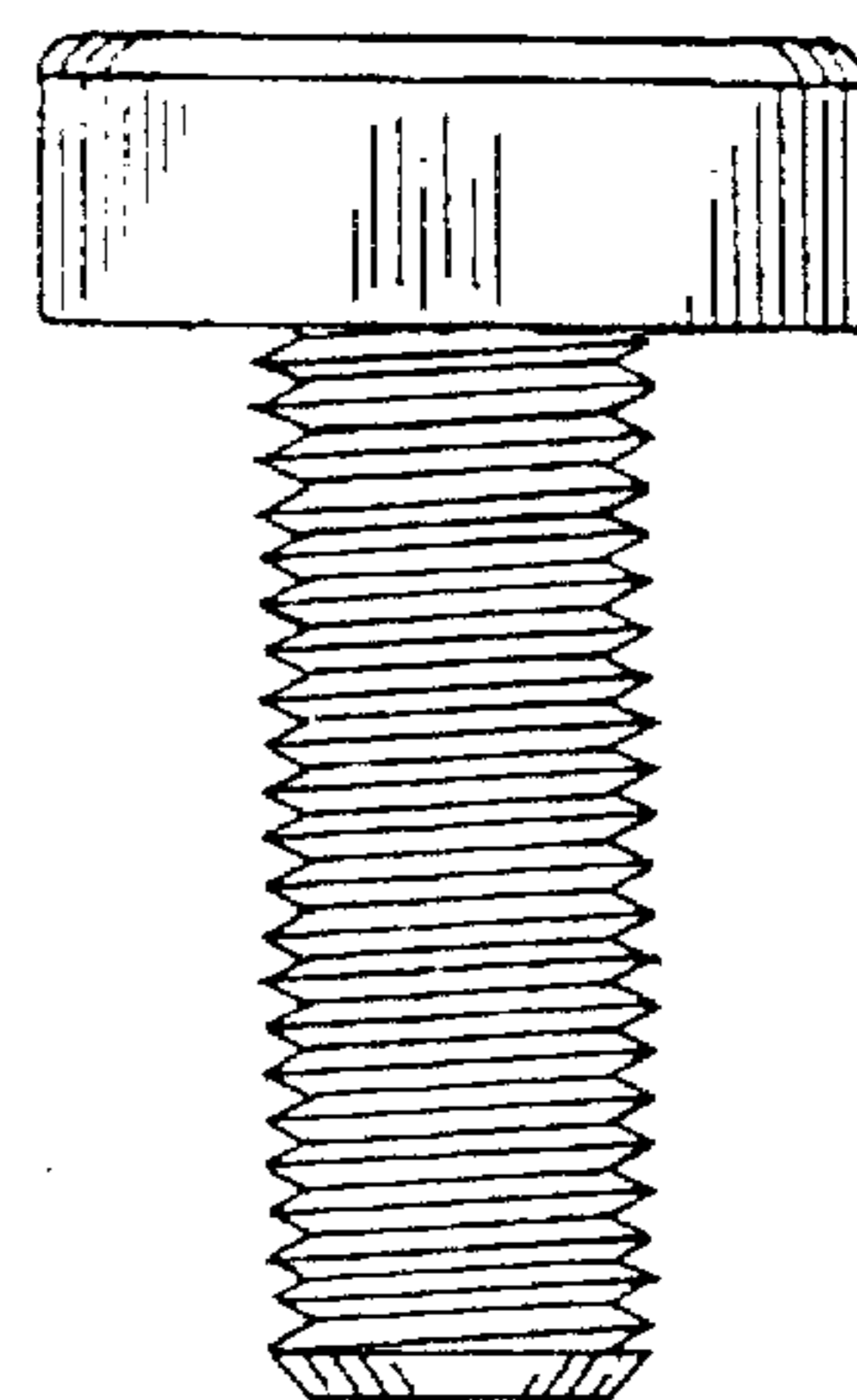


Fig. 11

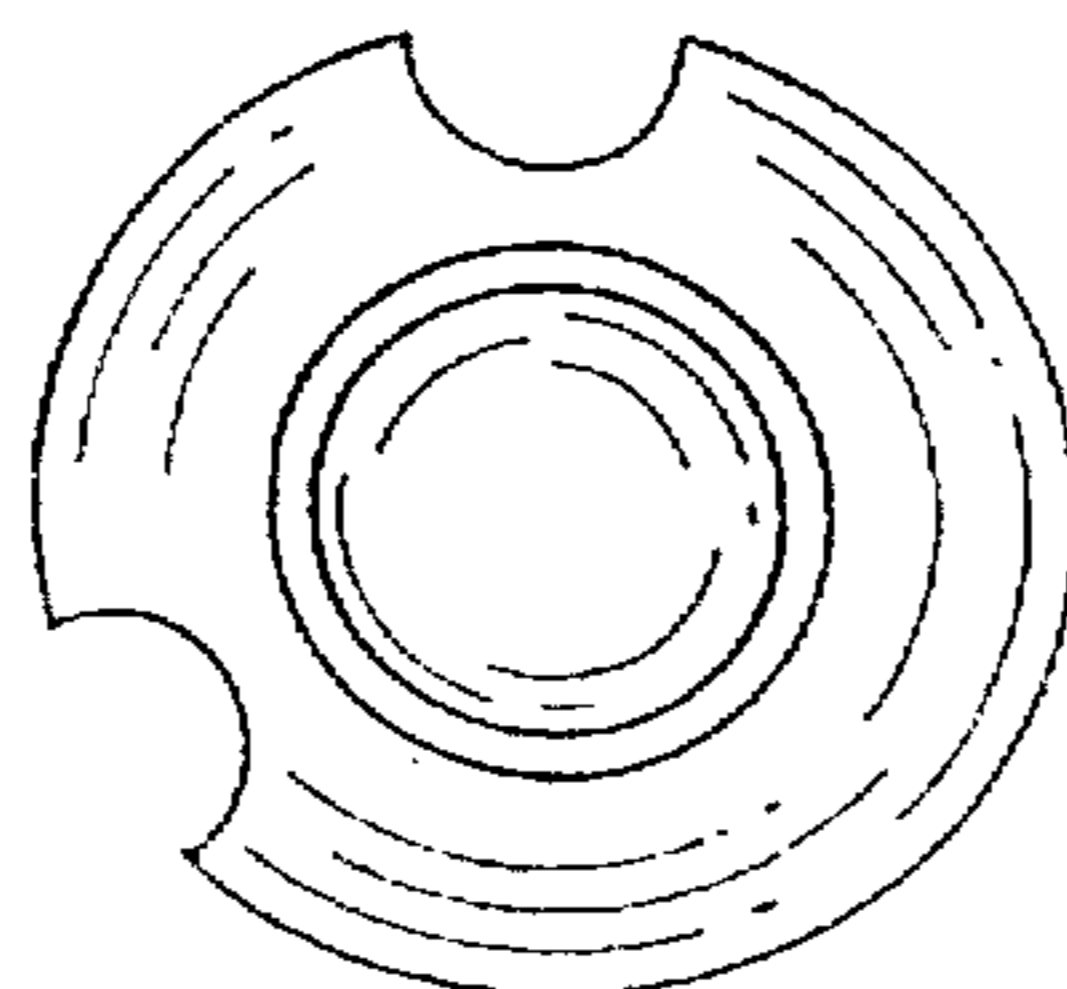


Fig. 13

Fig. 15

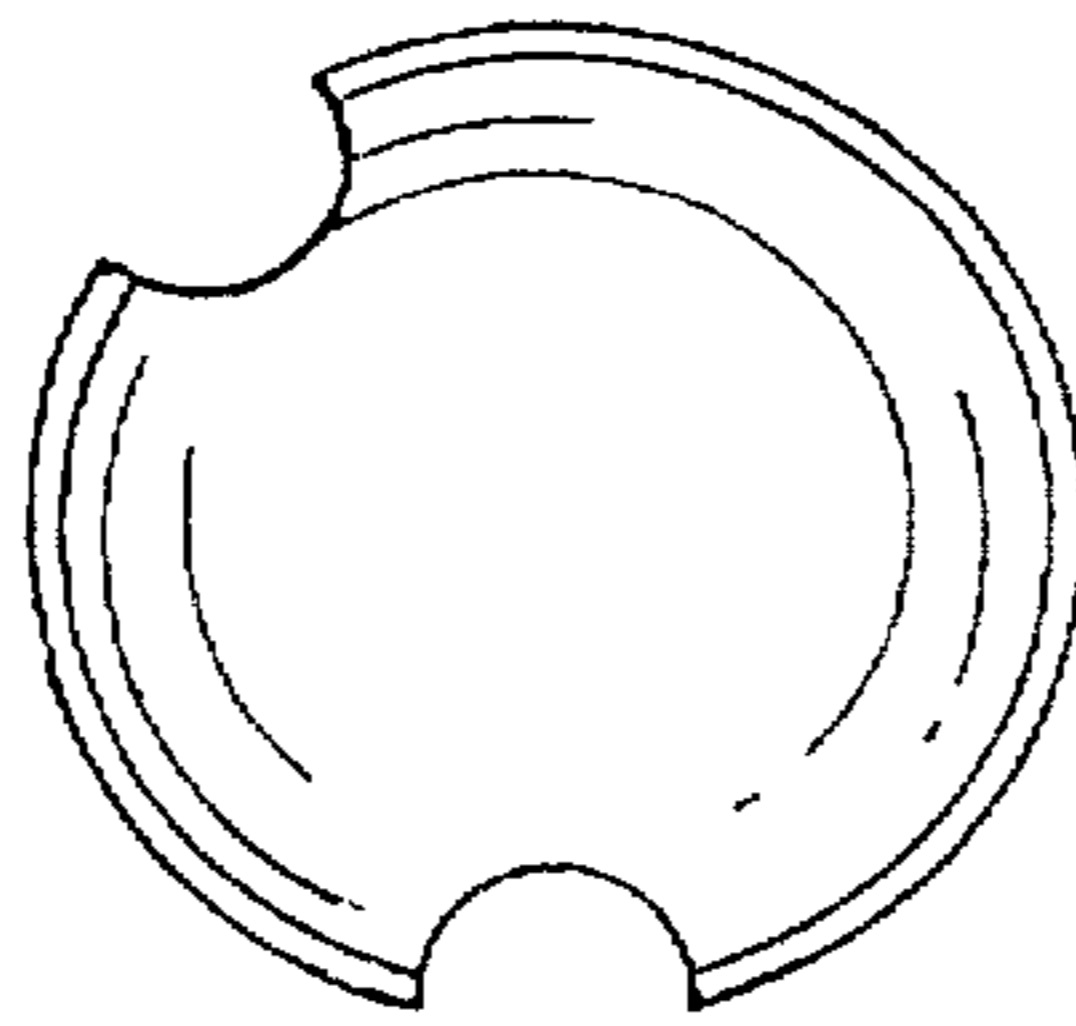
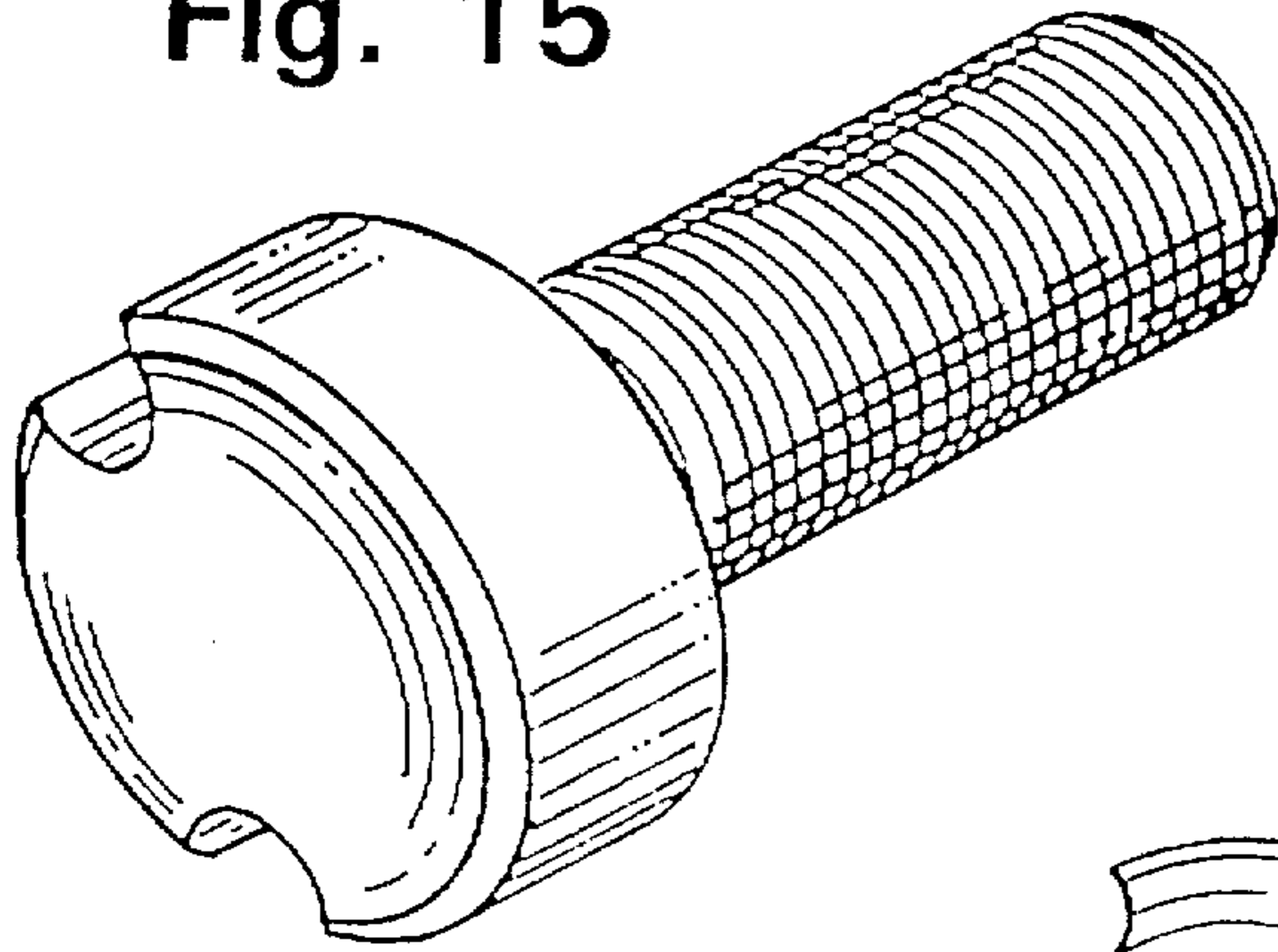


Fig. 19

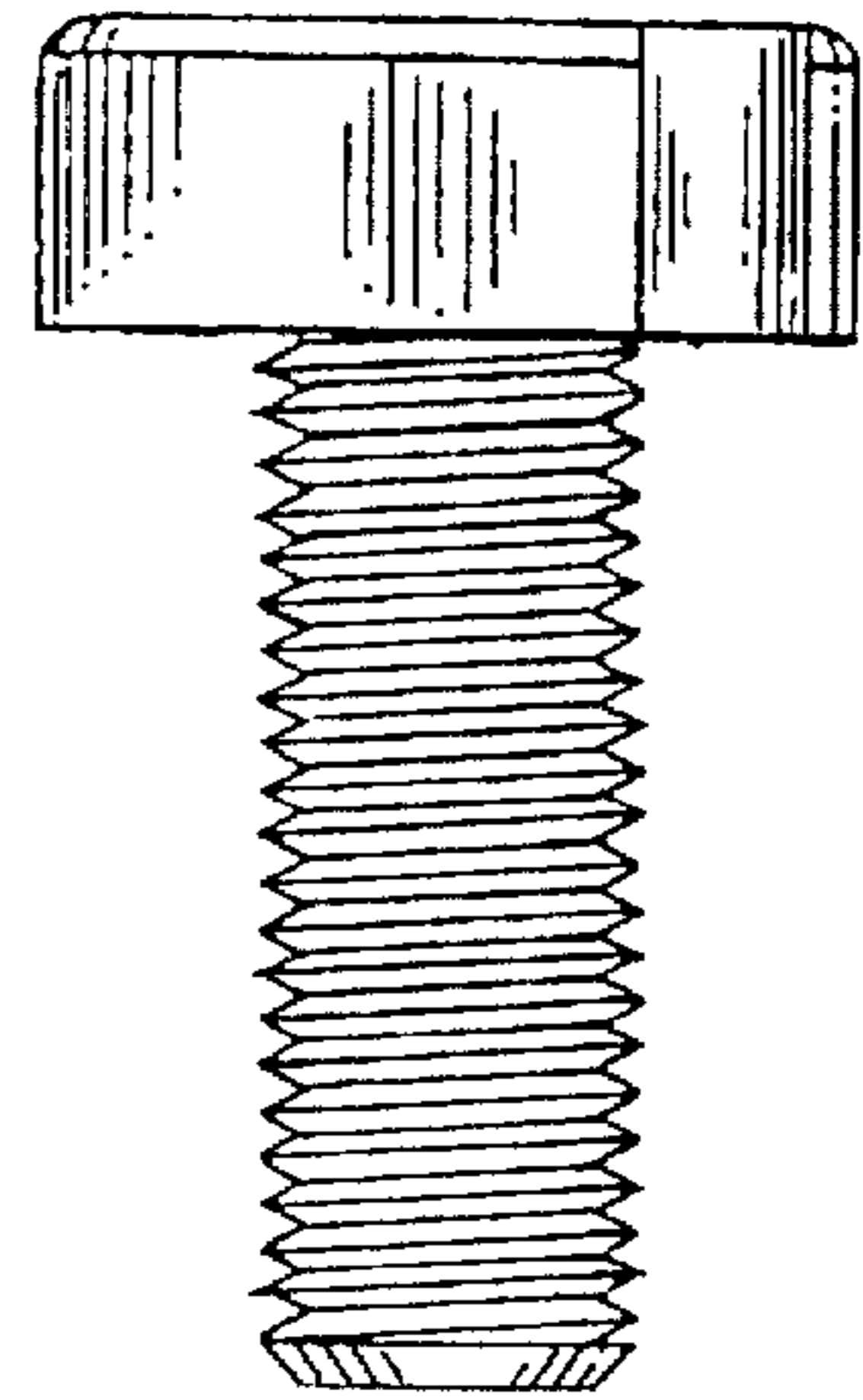


Fig. 21

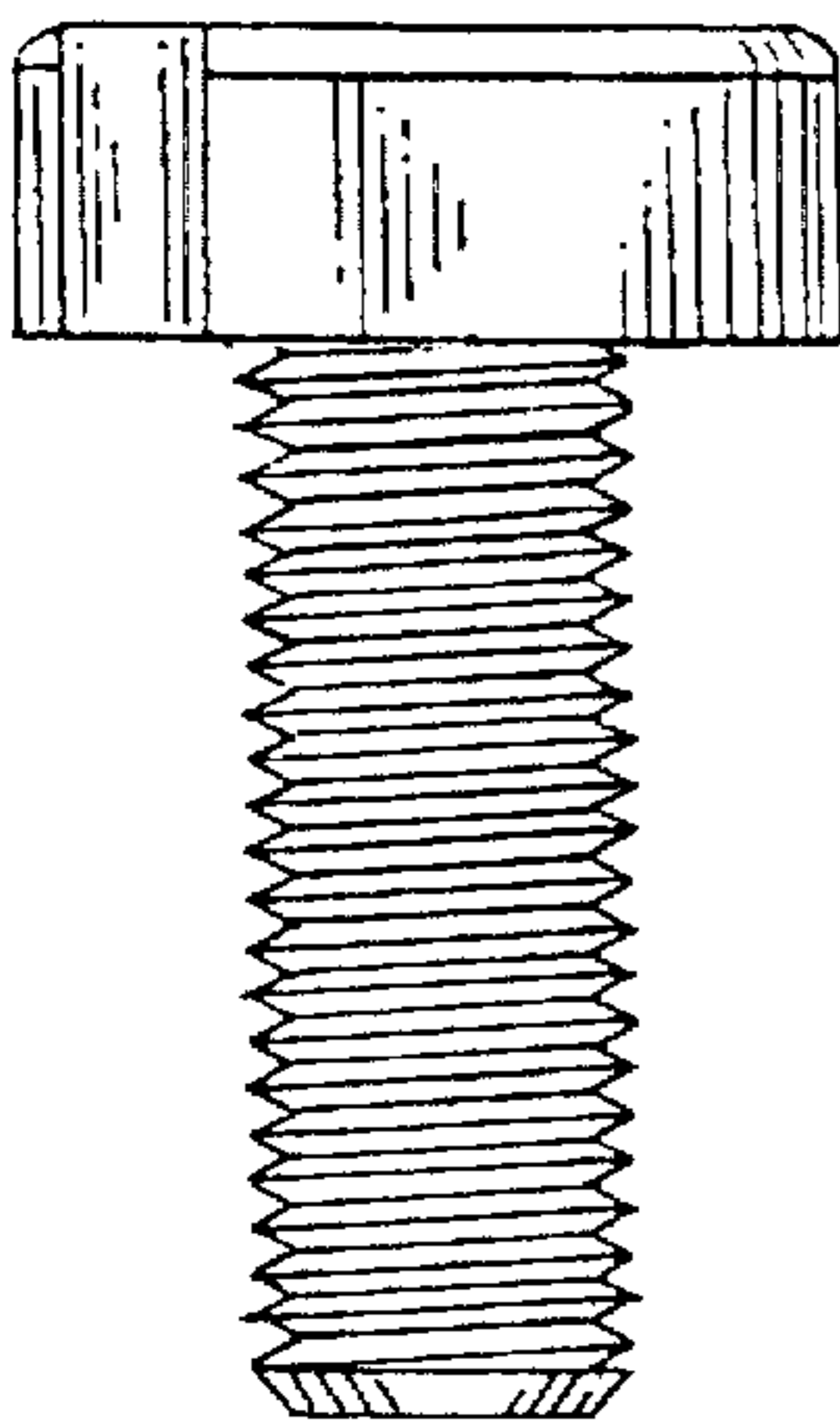


Fig. 17

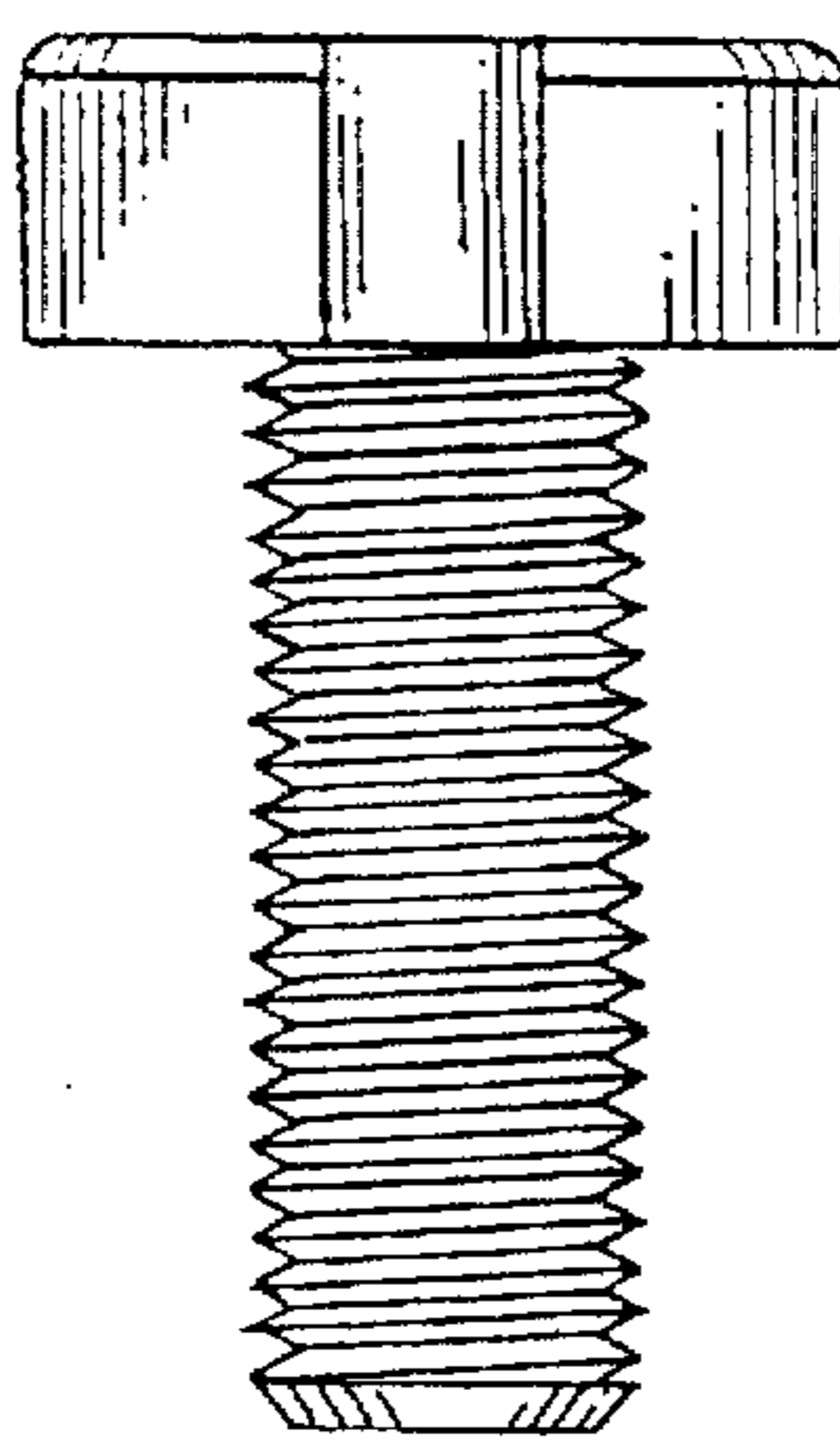


Fig. 16

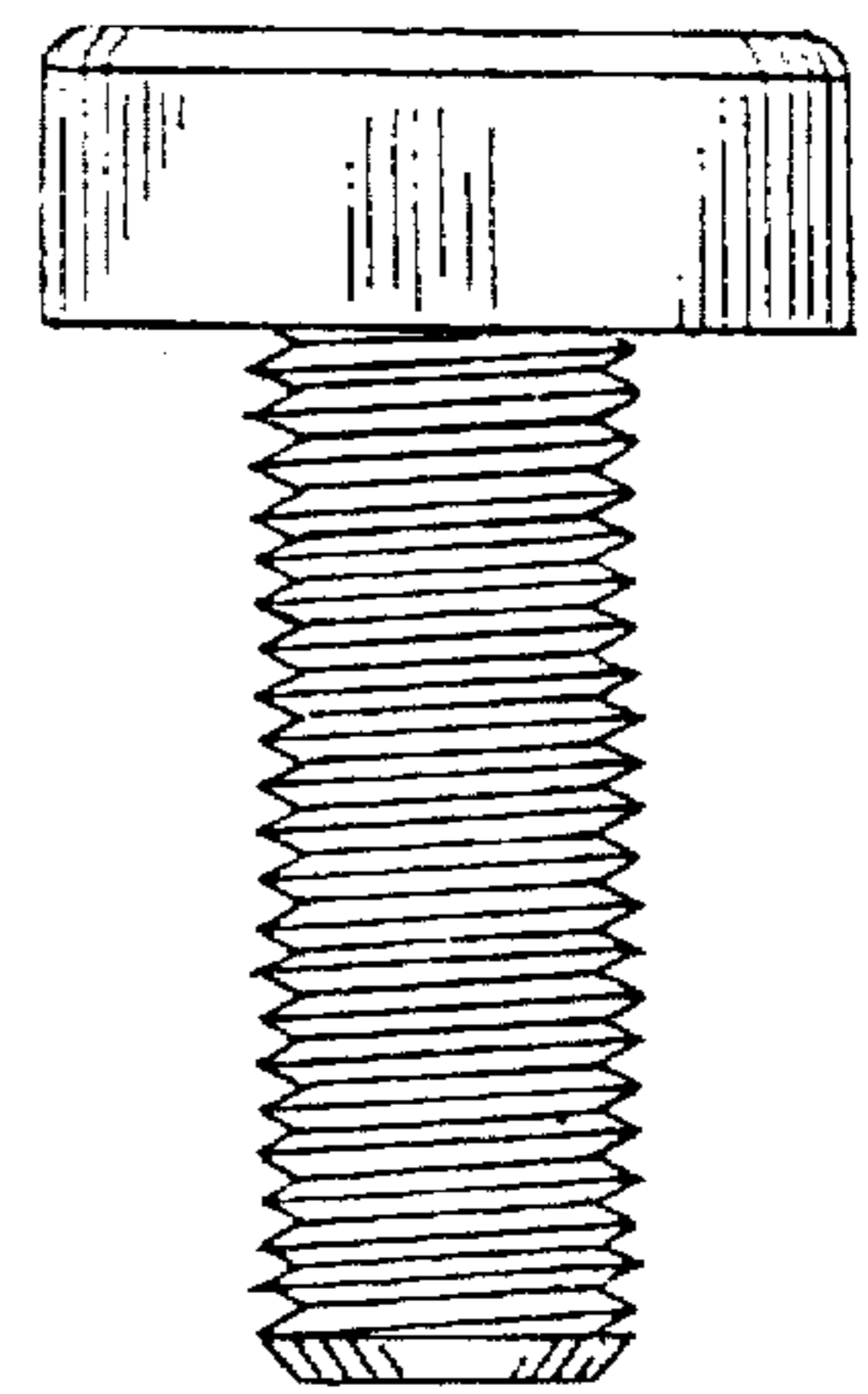


Fig. 18

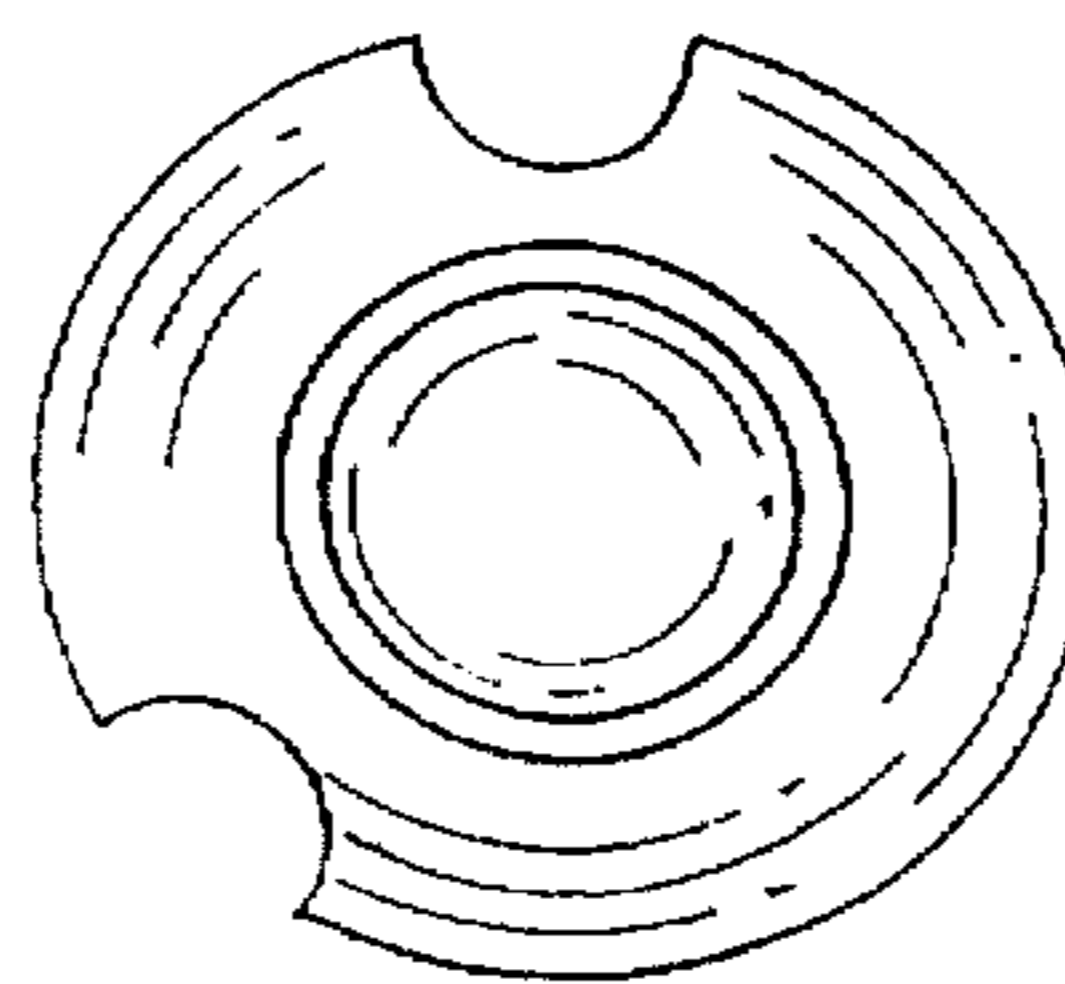


Fig. 20