



US00D397019S

United States Patent [19]
Godt

[11] **Patent Number: Des. 397,019**

[45] **Date of Patent: **Aug. 18, 1998**

[54] **TOOL HANDLE**

[76] **Inventor: Glen Godt, P.O. Box 2, Fort Smith, N.W.T., Canada, X0E 0P0**

[**] **Term: 14 Years**

[21] **Appl. No.: 72,000**

[22] **Filed: Jun. 11, 1997**

Related U.S. Application Data

[62] **Division of Ser. No. 42,460, Aug. 10, 1995, Pat. No. Des. 385,472.**

Foreign Application Priority Data

Feb. 13, 1995 [CA] Canada 1995-0356

[51] **LOC (6) Cl. 08-06**

[52] **U.S. Cl. D8/107**

[58] **Field of Search D7/395; D8/14, D8/98, 16, 45, 107, 303; 15/235.4, 236.01; 16/110 R, 111 R, DIG. 2; 81/489**

[56] **References Cited**

U.S. PATENT DOCUMENTS

D. 191,060 8/1961 Gorton D7/395
D. 230,697 3/1974 Sullivan D8/300

D. 248,166 6/1978 Kanai D8/98
D. 307,702 5/1990 Hsu D8/107
1,980,087 11/1934 Rast 16/DIG. 2

OTHER PUBLICATIONS

Slave River Journal, Apr. 27, 1982.

Primary Examiner—Philip S. Hyder
Assistant Examiner—Adir Aronovich
Attorney, Agent, or Firm—Suiter & Associates PC

[57] **CLAIM**

The ornamental design for a tool handle, as shown and described.

DESCRIPTION

FIG. 1 is a front and left side pictorial view of the tool handle;
FIG. 2 is a left elevation view of the tool handle;
FIG. 3 is a top plan view of the tool handle;
FIG. 4 is a bottom plan view of the tool handle;
FIG. 5 is a front elevation view of the tool handle; and,
FIG. 6 is a rear elevation view of the tool handle.
The broken line depiction of a tool in FIGS. 1, 2, 5 and 6 is for illustration purposes only and forms no part of the claimed design.

1 Claim, 2 Drawing Sheets

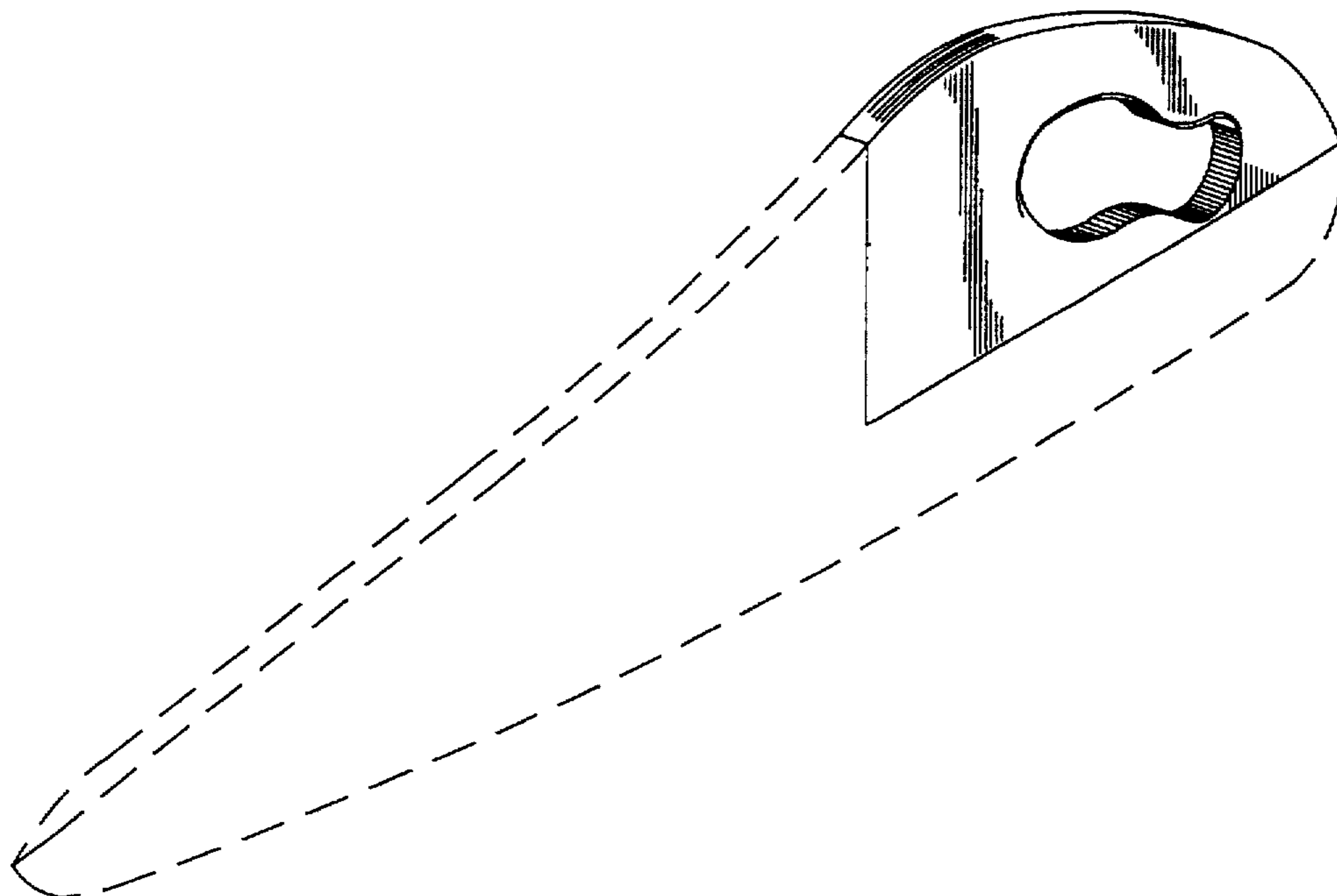
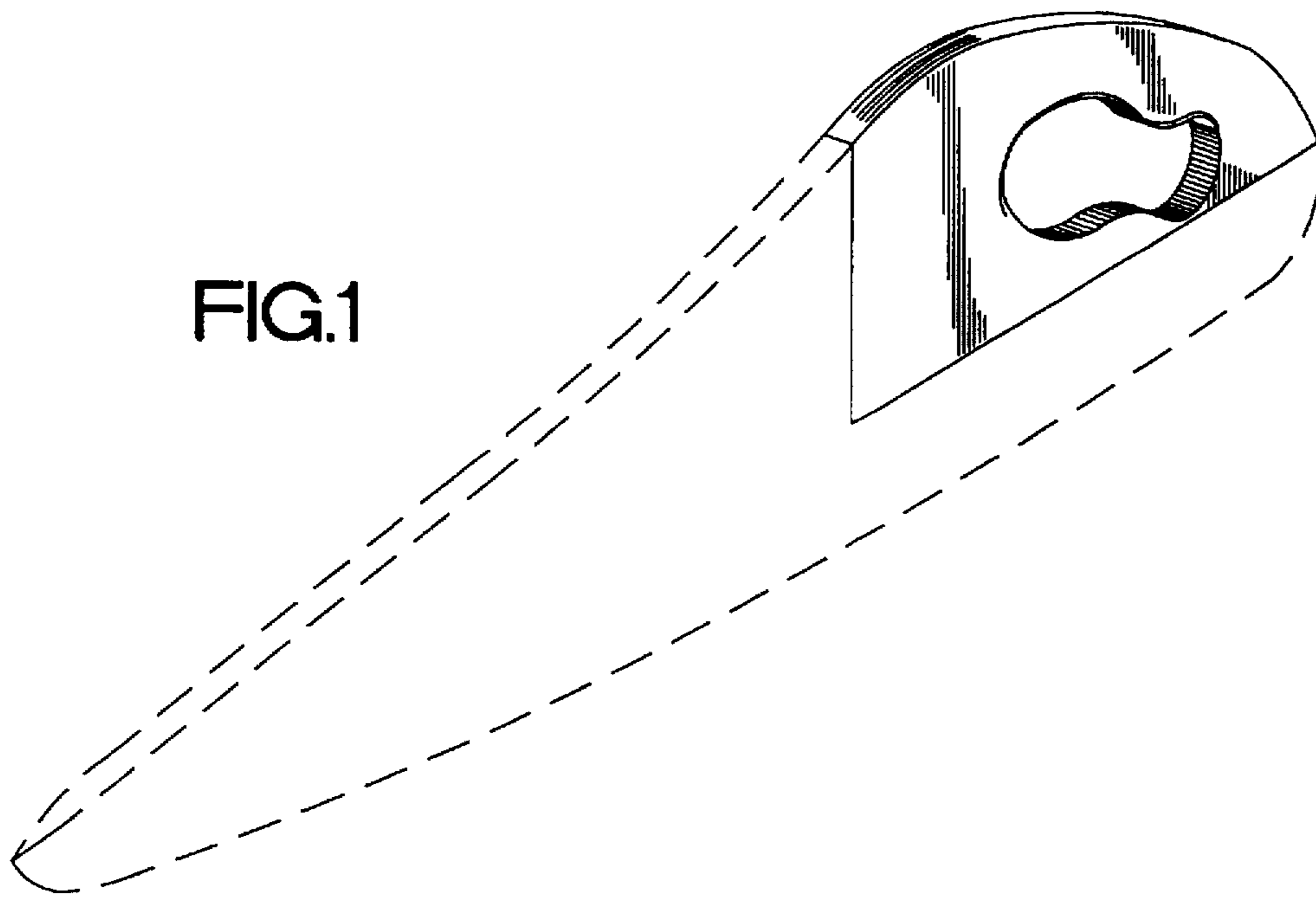


FIG.1



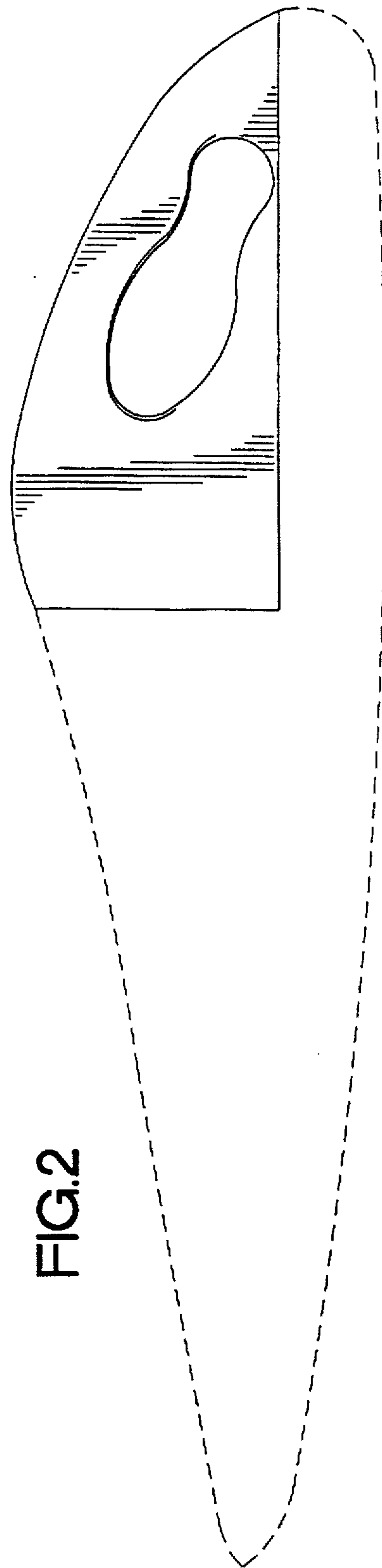


FIG. 3



FIG. 4



FIG. 6

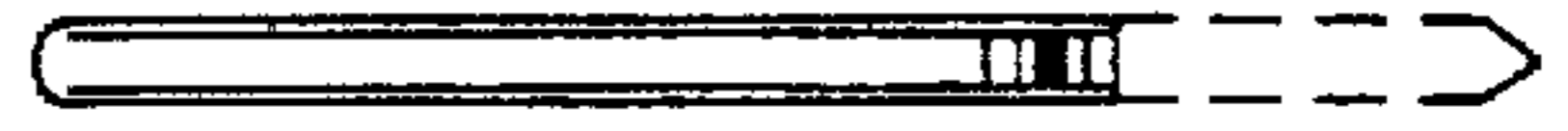


FIG. 5

