



US00D397015S

United States Patent [19]

Hall et al.

[11] Patent Number: **Des. 397,015**

[45] Date of Patent: ****Aug. 18, 1998**

[54] **COMBINATION SKATE AND SKATEBOARD TOOL**

D. 356,409 3/1995 Kanaskie D8/14
D. 385,076 10/1997 Milbury D8/14

[76] Inventors: **Ian M. Hall**, 212 Clinton St.; **Scott Wilson**, 1731 Foster Ct., both of Santa Cruz, Calif. 95062

Primary Examiner—Philip S. Hyder
Attorney, Agent, or Firm—Jeffrey A. Hall

[**] Term: **14 Years**

[57] **CLAIM**

The ornamental design for a combination skate and skateboard tool, as shown and described.

[21] Appl. No.: **68,195**

DESCRIPTION

[22] Filed: **Mar. 18, 1997**

[51] LOC (6) Cl. **08-05**

[52] U.S. Cl. **D8/88; D8/14**

[58] Field of Search D8/14, 88, 89;
81/489; 7/166; 254/21, 25

FIG. 1 is a front perspective view of a combination skate and skateboard tool showing my new design wherein the broken line showing of the handle is for illustrative purposes only and forms no part of the claimed design;

FIG. 2 is a top view thereof;

FIG. 3 is a left side view thereof;

FIG. 4 is a bottom view, thereof;

FIG. 5 is a front view thereof;

FIG. 6 is a rear view thereof; and,

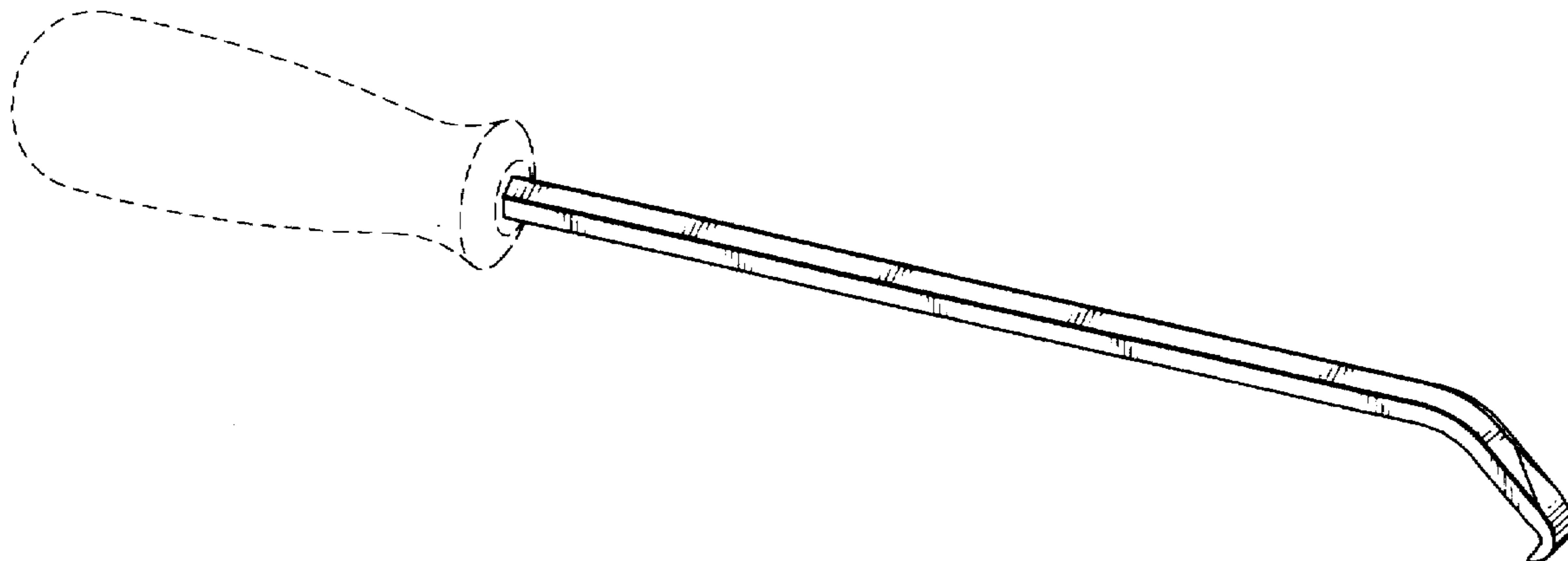
FIG. 7 is a fragmentary perspective view of the tip portion of the tool, wherein the broken line showing of the wheel and bearing is for illustrative purposes only and forms no part of the claimed design.

[56] **References Cited**

U.S. PATENT DOCUMENTS

- D. 238,045 12/1975 Hutton D8/88
- D. 256,442 8/1980 Martin D8/89
- D. 314,495 2/1991 Zupancic D8/14
- D. 319,168 8/1991 Kosegi D8/14
- D. 326,593 6/1992 Ward D8/4
- D. 355,103 2/1995 Bartlett D8/14

1 Claim, 1 Drawing Sheet



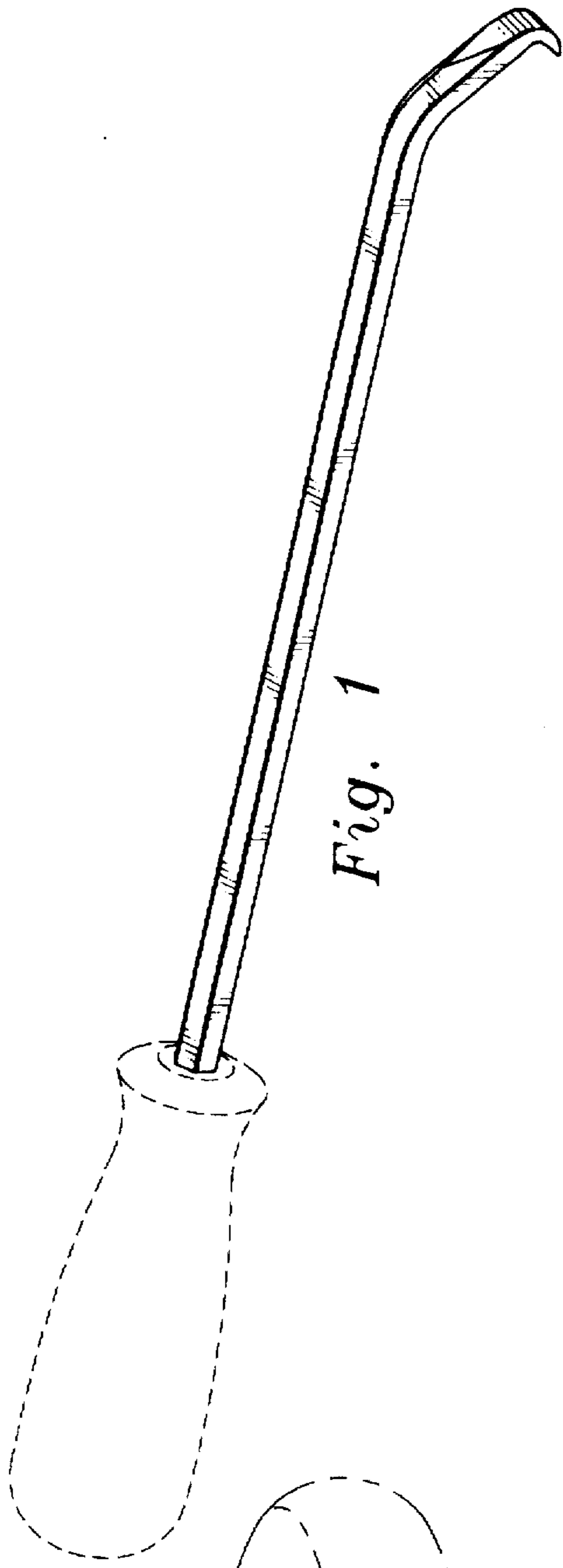


Fig. 1

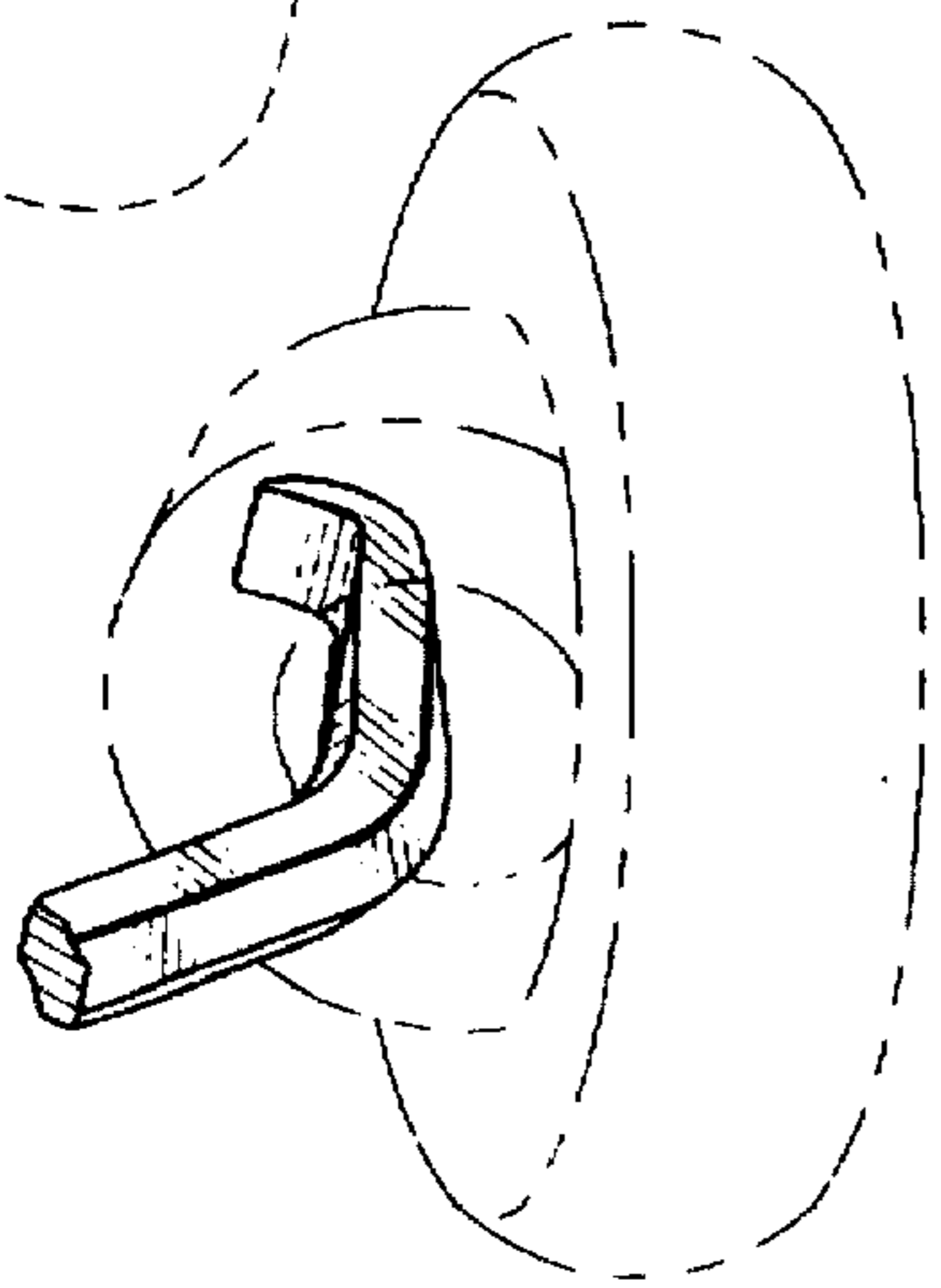


Fig. 7



Fig. 2



Fig. 5

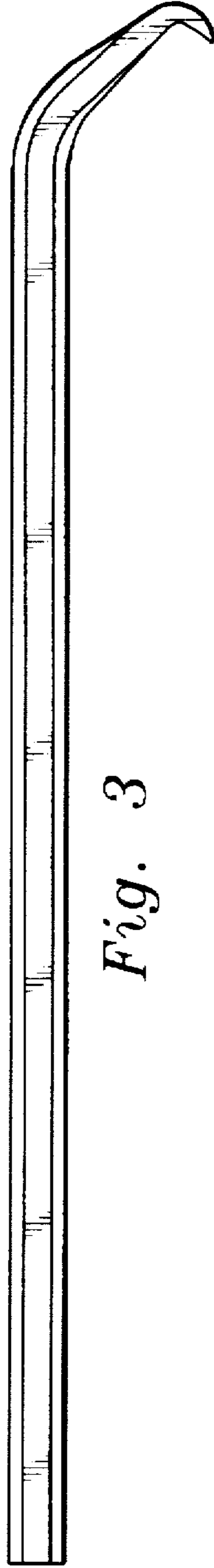


Fig. 3



Fig. 6



Fig. 4