

US00D397014S

United States Patent [19]

Wilson

[11] Patent Number: **Des. 397,014**

[45] Date of Patent: ****Aug. 18, 1998**

[54] **FACIA RACK**

3,286,762 11/1966 McIntosh et al. 248/316.7

[76] Inventor: **Ricky Wilson**, 1557 Hudson St. #10,
Redwood City, Calif. 94061

Primary Examiner—Holly Baynham
Attorney, Agent, or Firm—Michael A. Glenn

[**] Term: **14 Years**

[57] **CLAIM**

[21] Appl. No.: **78,201**

The ornamental design for a facia rack, as shown and described.

[22] Filed: **Oct. 22, 1997**

DESCRIPTION

[51] **LOC (6) Cl.** **08-05**

FIG. 1 is a perspective view of a facia rack;

[52] **U.S. Cl.** **D8/71; D8/354**

FIG. 2 is a plan view of a facia rack;

[58] **Field of Search** D8/349, 354, 366,

FIG. 3 is a bottom view of a facia rack;

D8/373, 71; 248/542, 300, 200, 27.1, 316.7,
447.2

FIG. 4 is a right side view of a facia rack;

FIG. 5 is a left view of a facia rack; and,

FIG. 6 is a top view of an electricap equipment case.

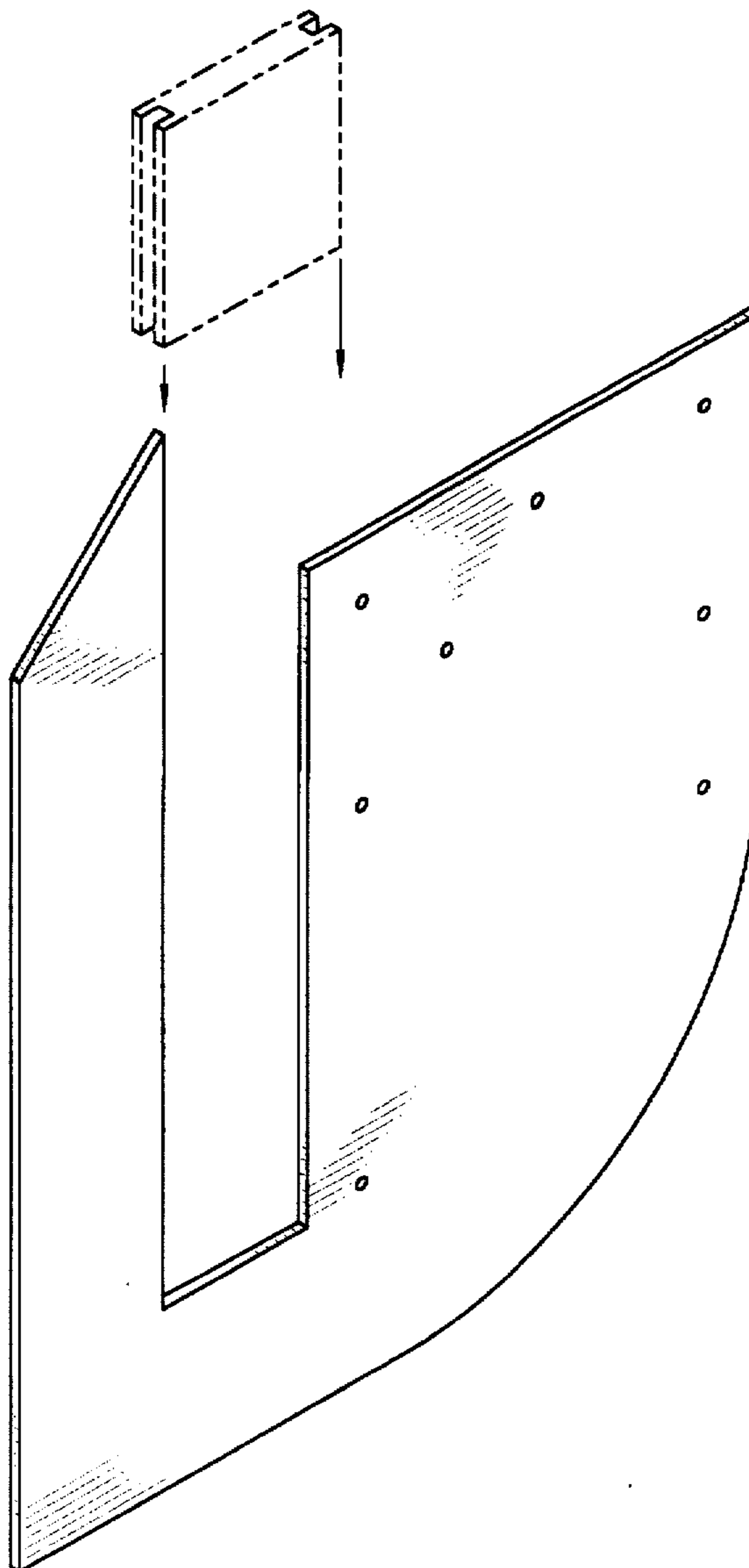
The broken line showing of an attachment is for illustrative purposes only and forms no part of the claimed design.

[56] **References Cited**

U.S. PATENT DOCUMENTS

D. 339,971 10/1993 Hatcher D8/71

1 Claim, 2 Drawing Sheets



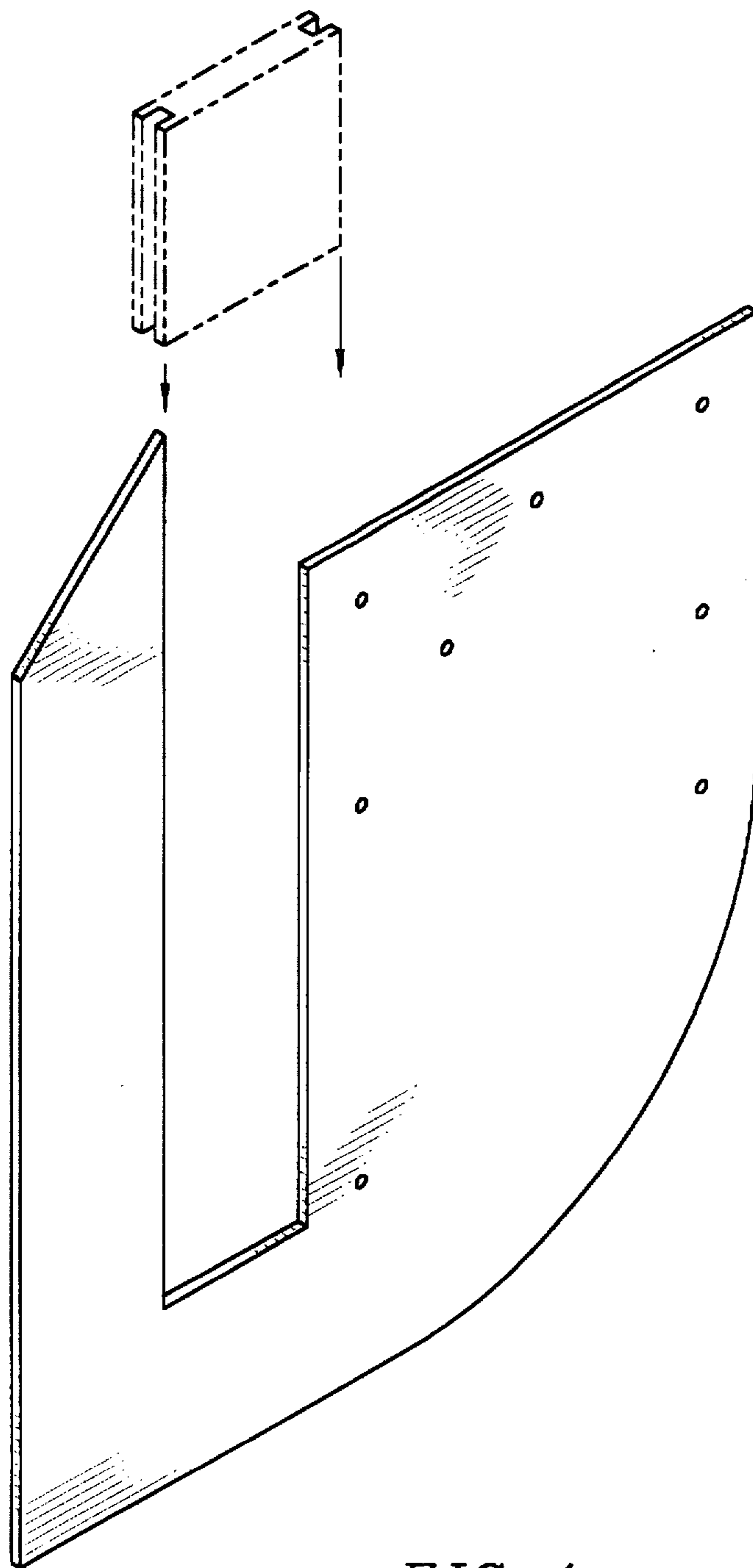


FIG. 1



FIG. 6

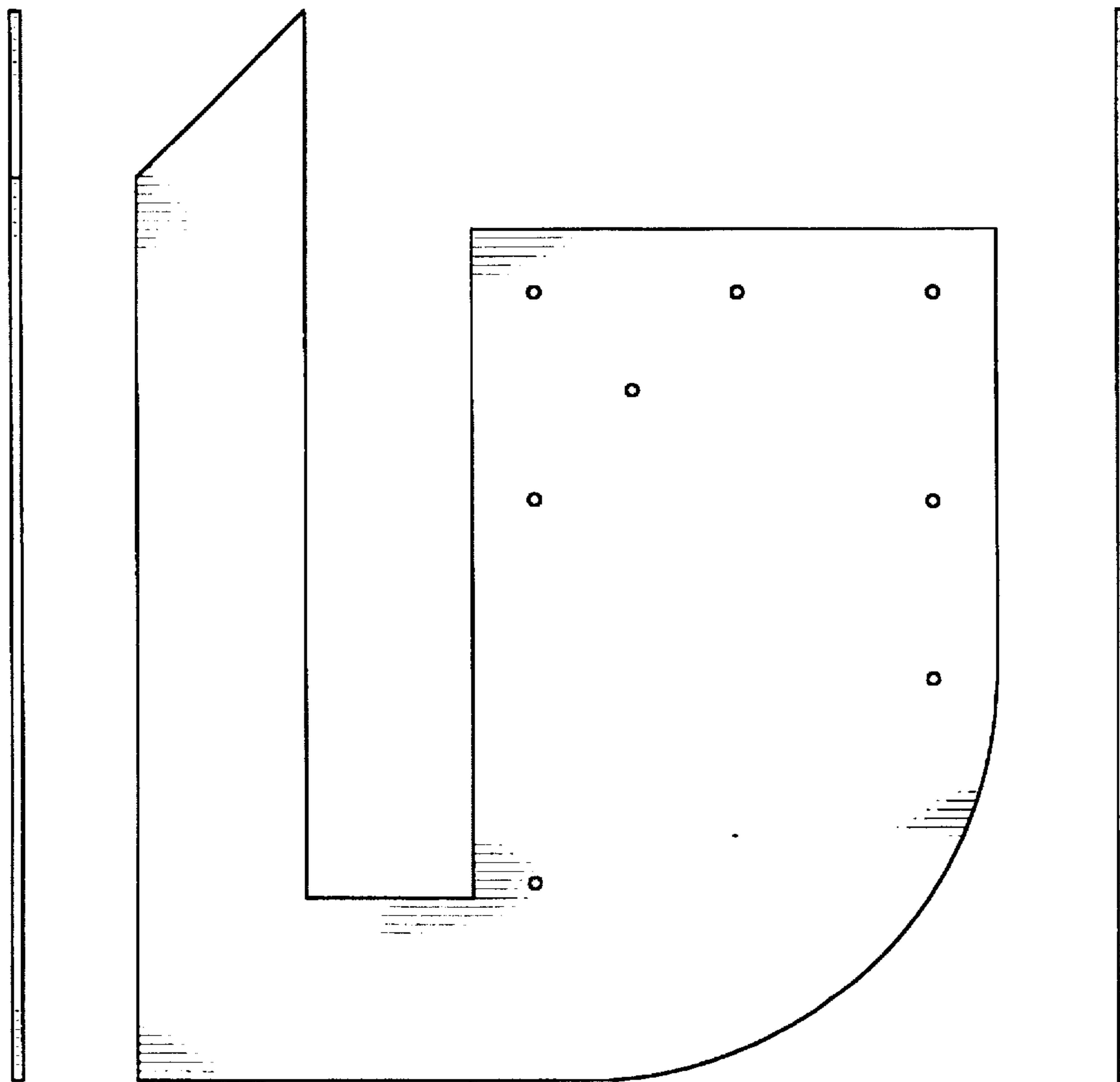


FIG. 5

FIG. 2

FIG. 4



FIG. 3