



US00D397013S

**United States Patent** [19]  
**Horne**

[11] **Patent Number: Des. 397,013**

[45] **Date of Patent: \*\*Aug. 18, 1998**

[54] **ORBITAL WELDING HEAD JIG**

*Primary Examiner*—Terry A. Wallace

[76] **Inventor: James L. Horne, P.O. Box 1035,  
Battleground, Wash. 98604**

[57] **CLAIM**

[\*\*] **Term: 14 Years**

The ornamental design for an orbital welding head jig, as shown and described.

[21] **Appl. No.: 69,385**

**DESCRIPTION**

[22] **Filed: Apr. 10, 1997**

FIG. 1 is a perspective view of an orbital welding head jig showing my new design, the broken lines are for illustrative purposes only and form no part of the claimed design;

[51] **LOC (6) Cl. .... 08-05**

FIG. 2 is a front elevation view thereof;

[52] **U.S. Cl. .... D8/71**

FIG. 3 is a rear elevation view thereof;

[58] **Field of Search .... D8/71; 269/41,  
269/45, 287**

FIG. 4 is a left side elevation view thereof;

FIG. 5 is a right side elevation view thereof;

[56] **References Cited**

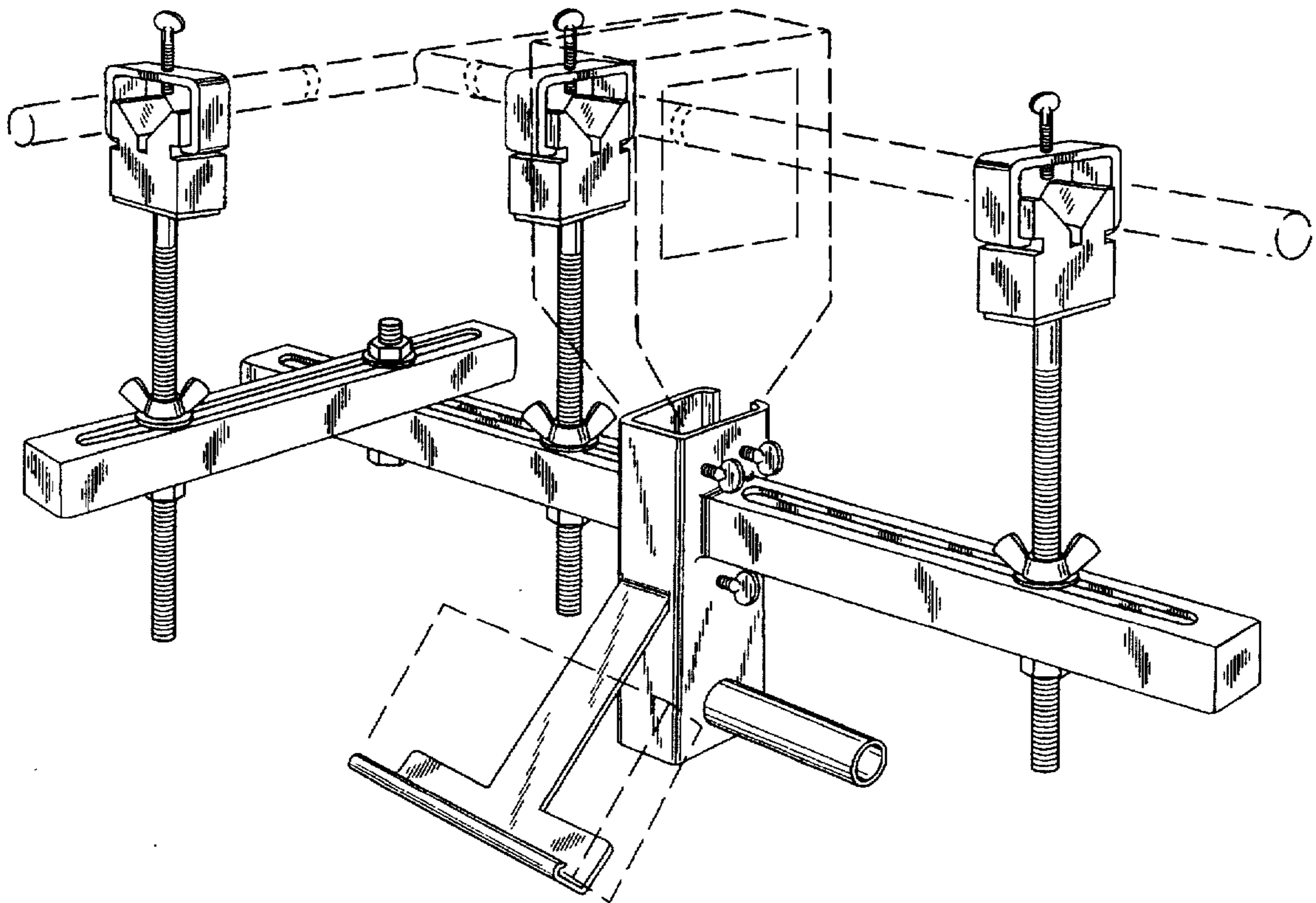
**U.S. PATENT DOCUMENTS**

FIG. 6 is a top plan view thereof; and,

FIG. 7 is a bottom plan view thereof.

2,991,669 7/1961 Stock ..... 269/45 X  
5,401,010 3/1995 Haswell et al. .... 269/45

**1 Claim, 3 Drawing Sheets**



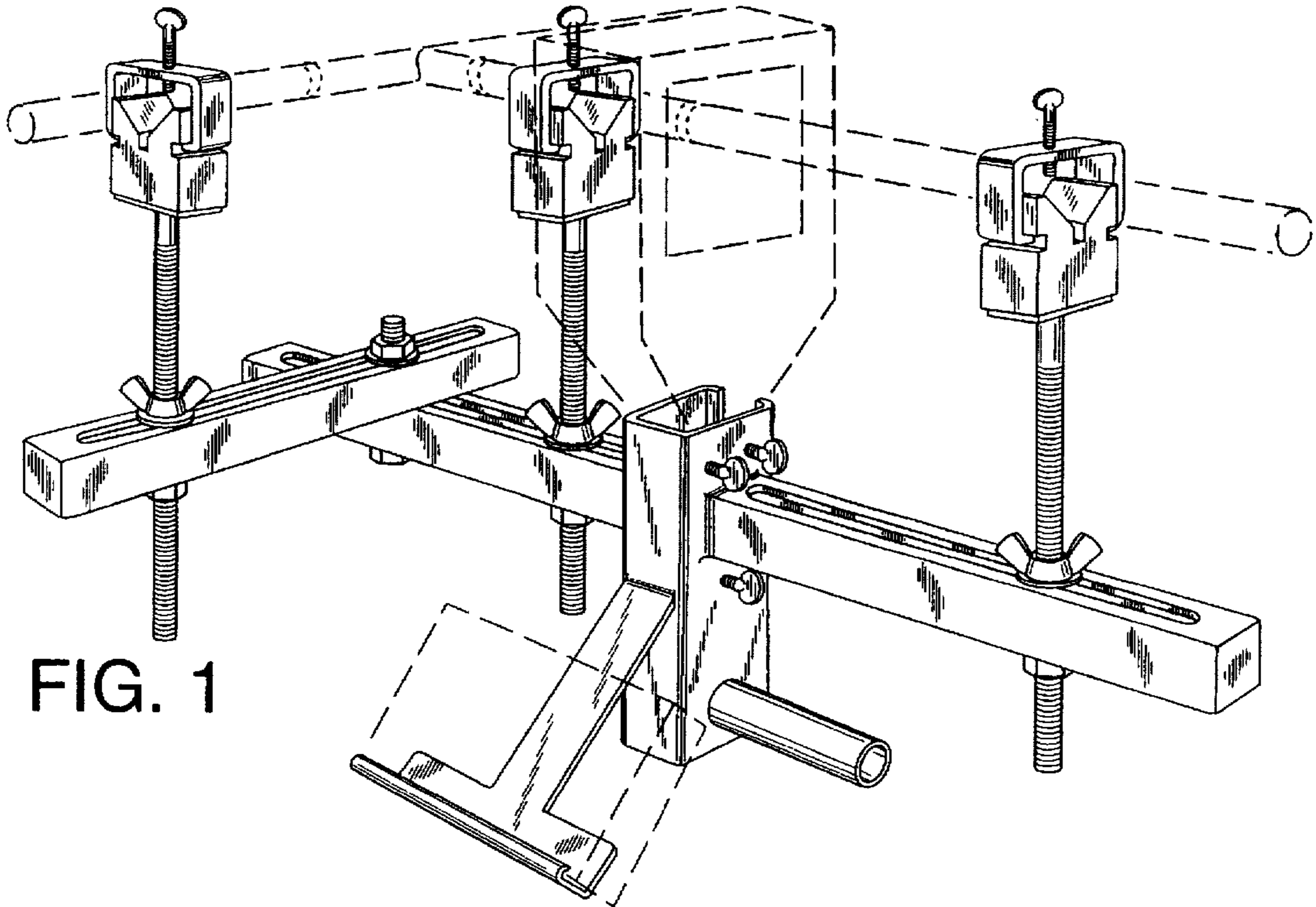
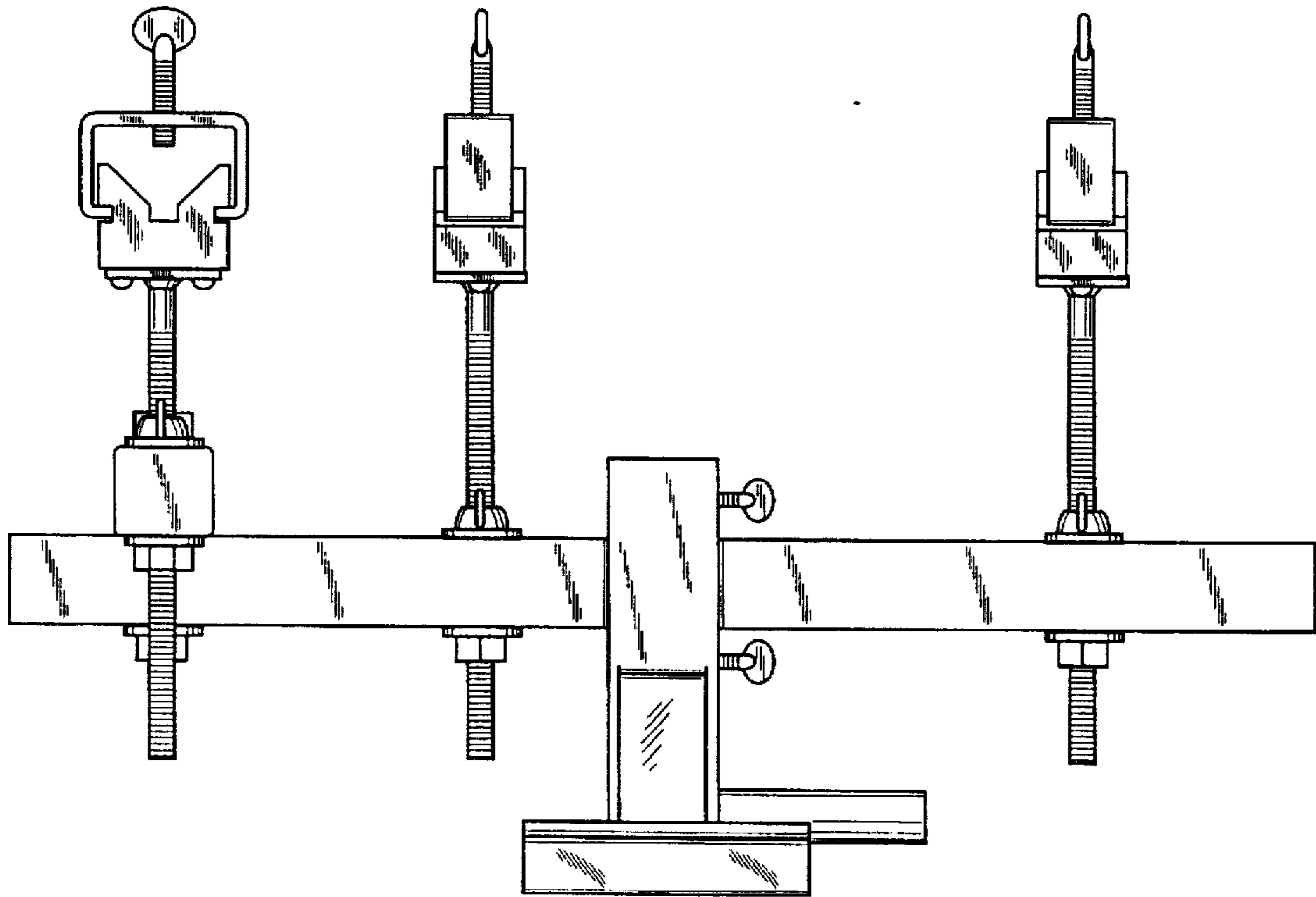


FIG. 1

FIG. 2



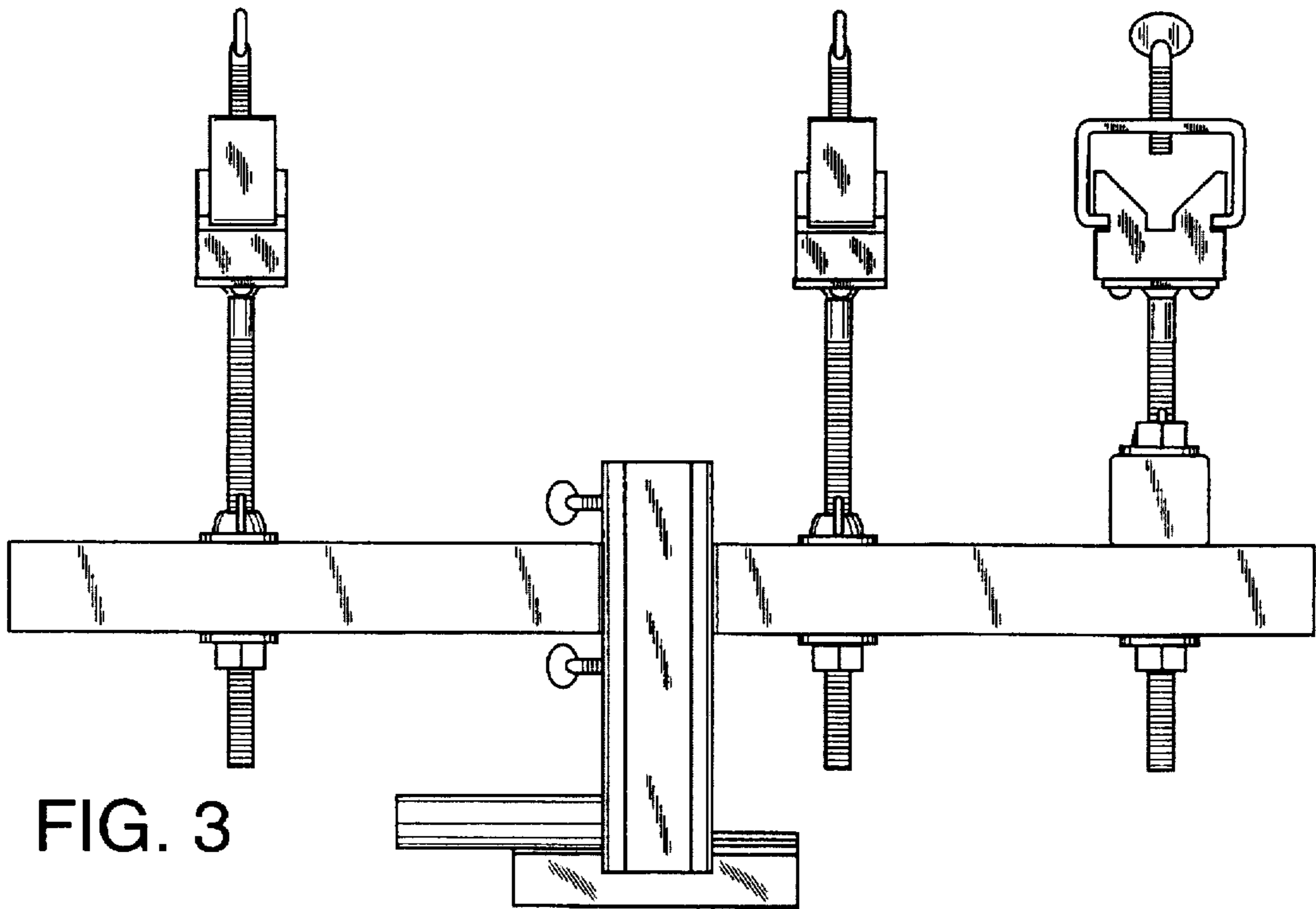


FIG. 3

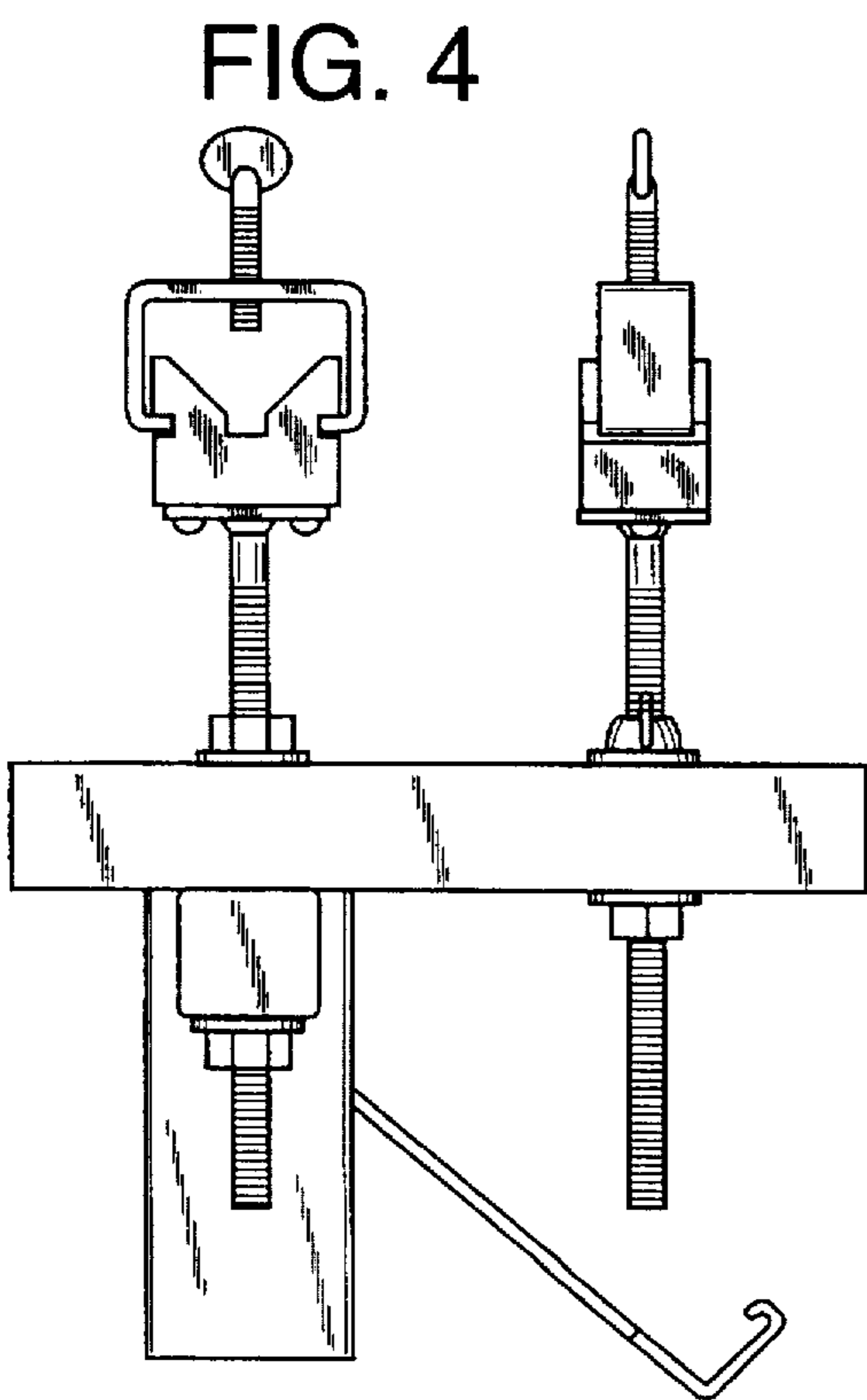


FIG. 4

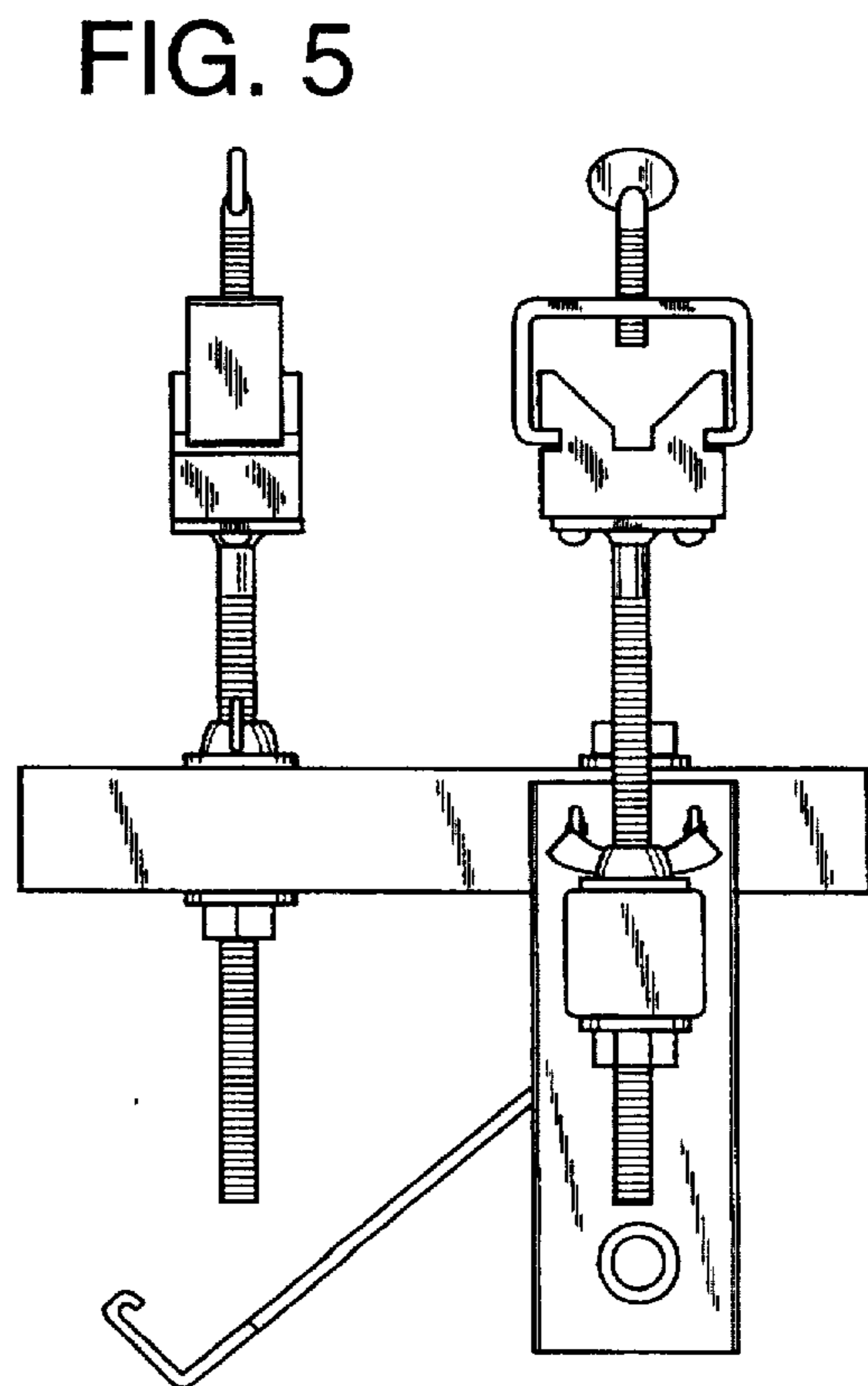


FIG. 5

FIG. 6

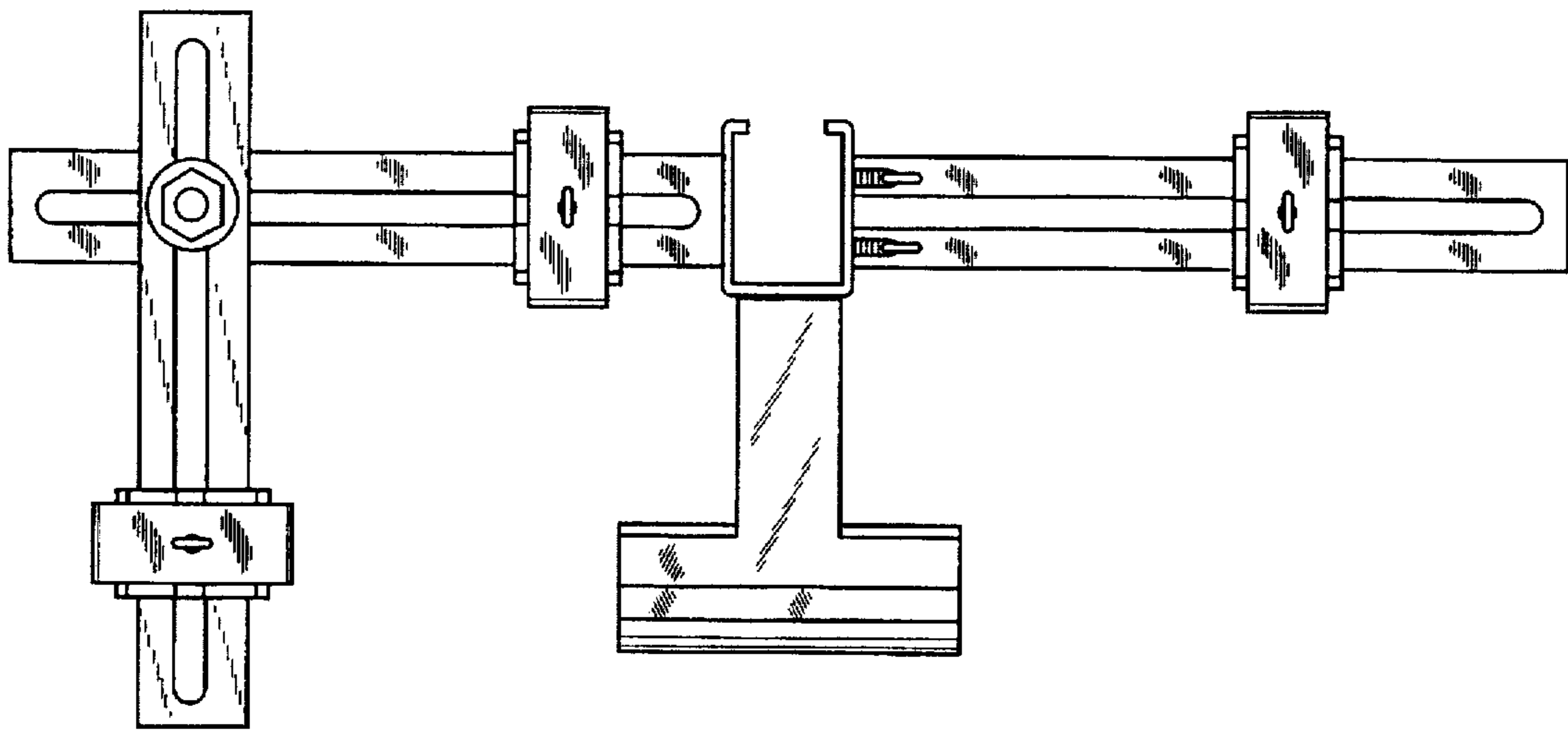


FIG. 7

