



US00D397011S

# United States Patent [19]

Rosier

[11] Patent Number: Des. 397,011

[45] Date of Patent: \*\*Aug. 18, 1998

[54] HYDRAULIC INSTALLATION TOOL

[75] Inventor: Hendrik E. Rosier, Port Ewen, N.Y.

[73] Assignee: Huck International, Inc., Kingston, N.Y.

[\*\*] Term: 14 Years

[21] Appl. No.: 66,599

[22] Filed: Feb. 18, 1997

[51] LOC (6) Cl. .... 08-03

[52] U.S. Cl. .... D8/68

[58] Field of Search ..... D8/61, 68, 69;  
72/391.6, 391.4, 391.8, 243.522, 243.523,  
243.524, 243.525, 243.529

[56] References Cited

### U.S. PATENT DOCUMENTS

D. 363,421 10/1995 Rosier ..... D8/68

D. 369,731 5/1996 Rosier ..... D8/68  
5,519,926 5/1996 Rosier ..... 29/243.523  
5,598,619 2/1997 Rosier ..... 29/243.523

Primary Examiner—Antoine Duval Davis  
Attorney, Agent, or Firm—IP Group of Pillsbury Madison & Sutro LLP

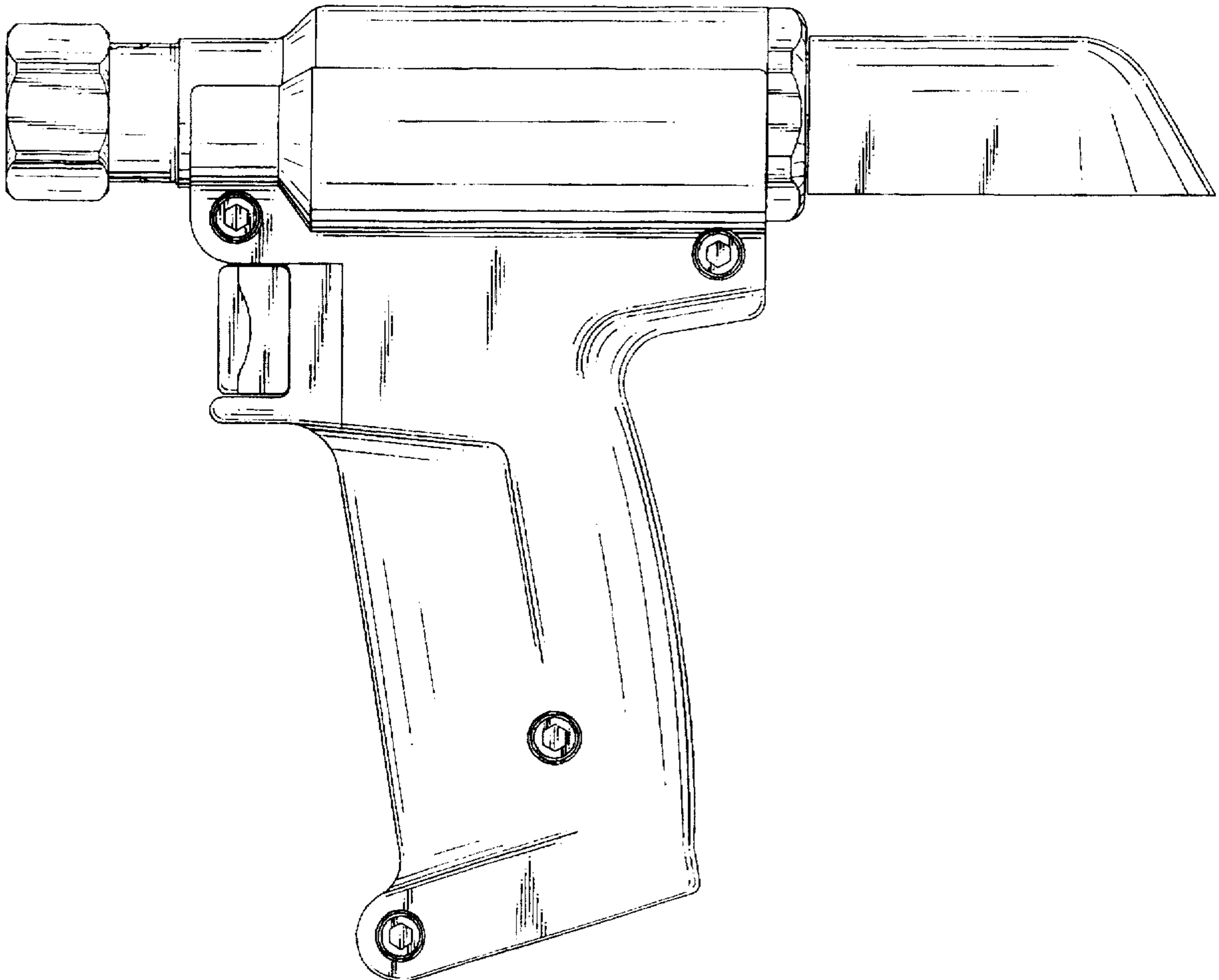
### [57] CLAIM

The ornamental design for a hydraulic installation tool, as shown and described.

### DESCRIPTION

FIG. 1 is a left side elevational view of a hydraulic installation tool showing my new design, the right side being a mirror image of the left side;  
FIG. 2 is a front elevational view thereof;  
FIG. 3 is a rear elevational view thereof;  
FIG. 4 is a top plan view thereof; and,  
FIG. 5 is a bottom plan view thereof.

1 Claim, 3 Drawing Sheets



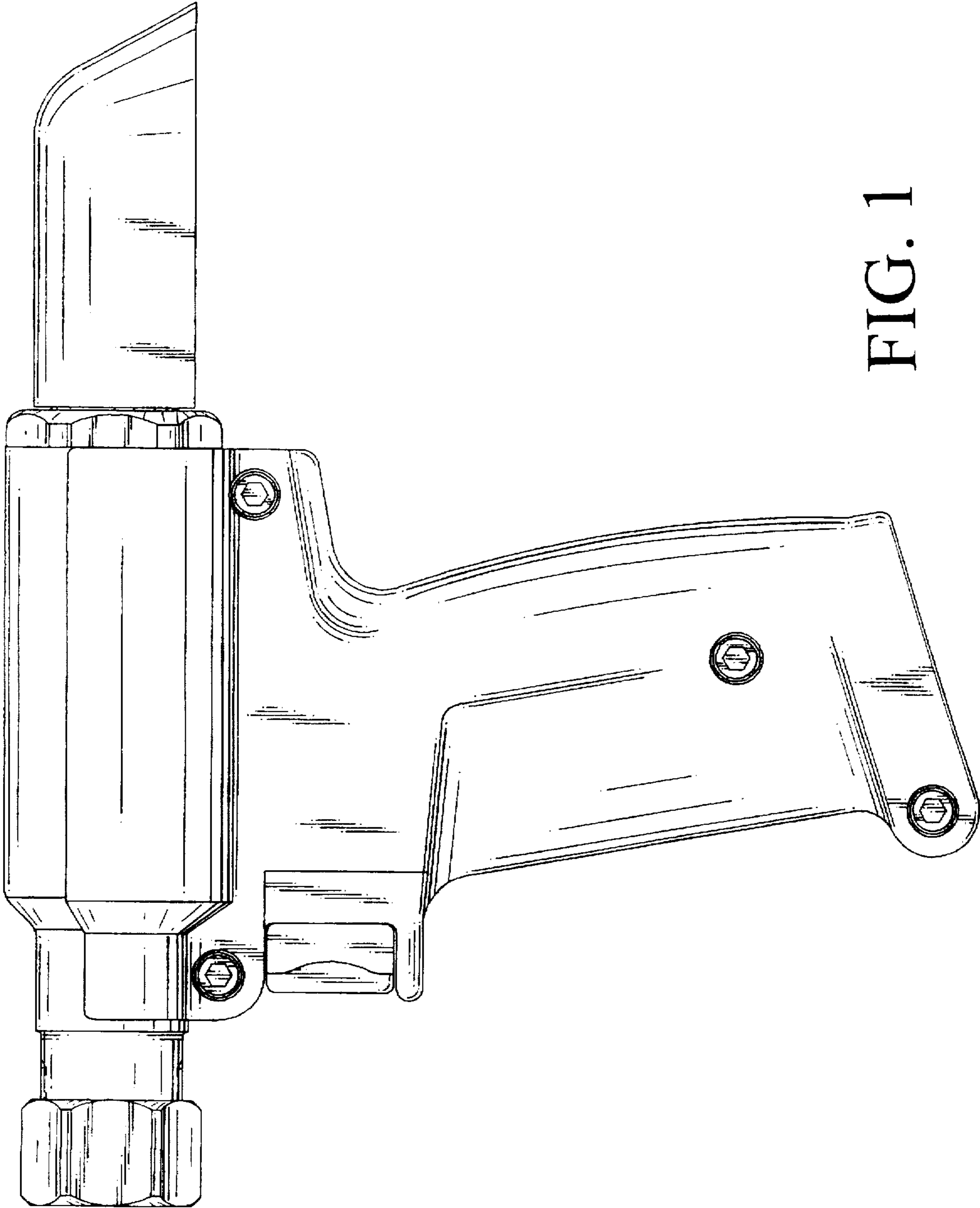


FIG. 1

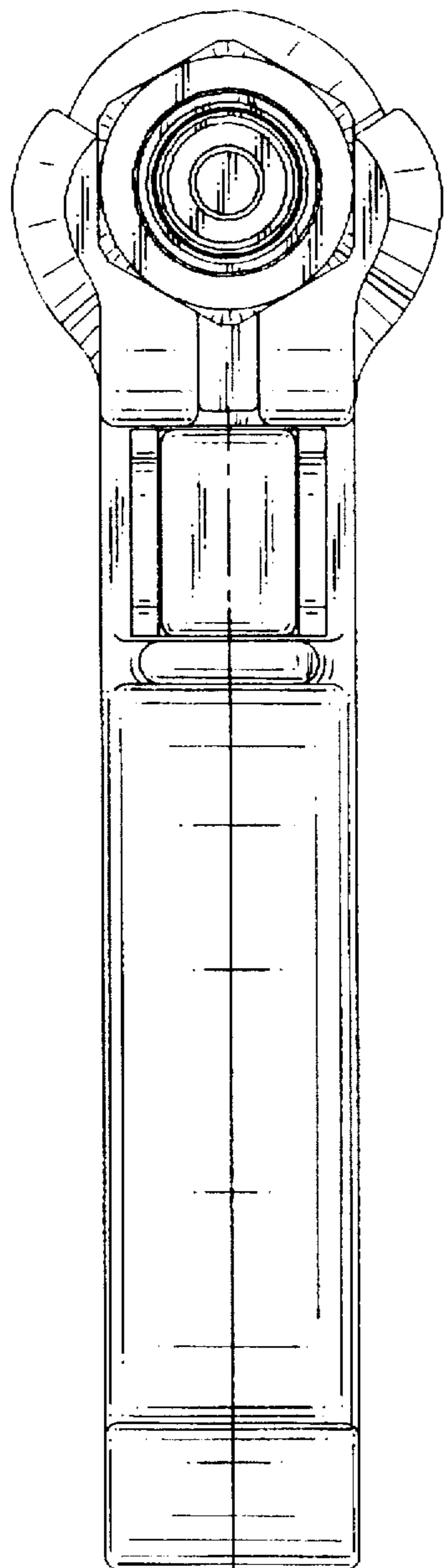


FIG. 2

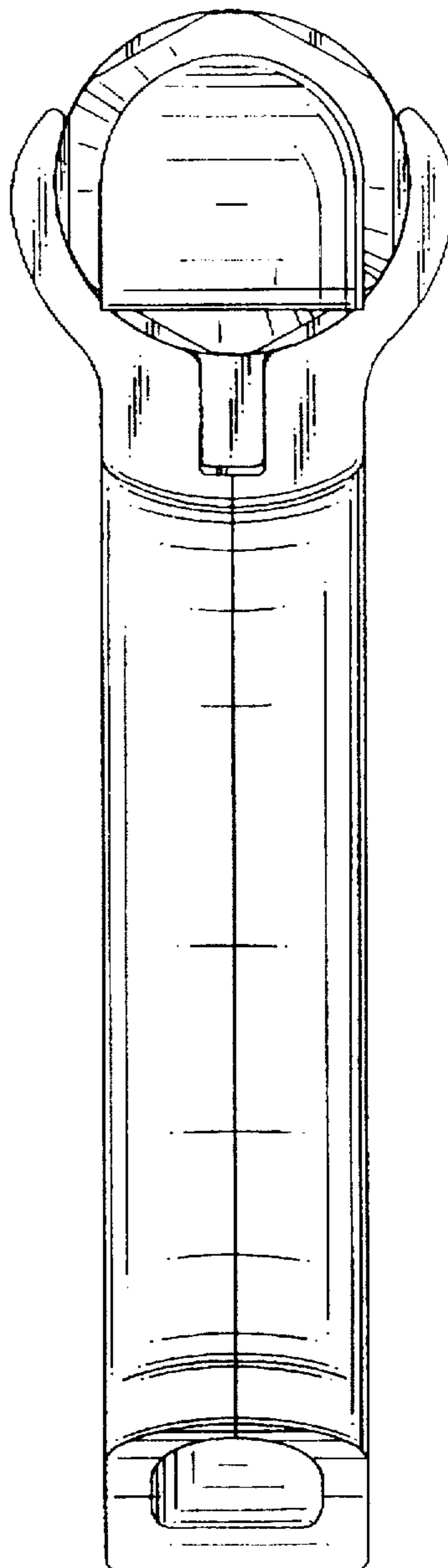


FIG. 3

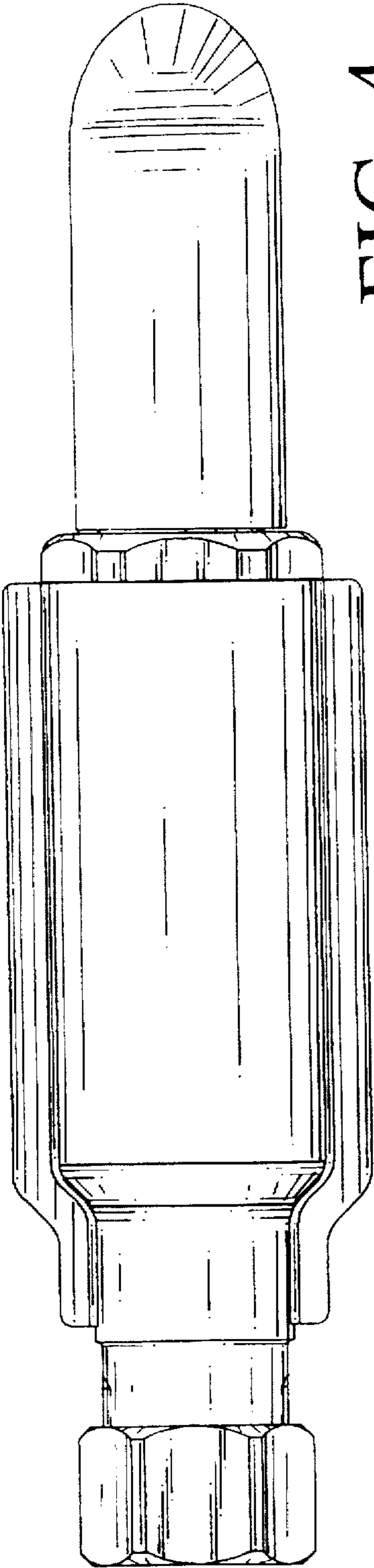


FIG. 4

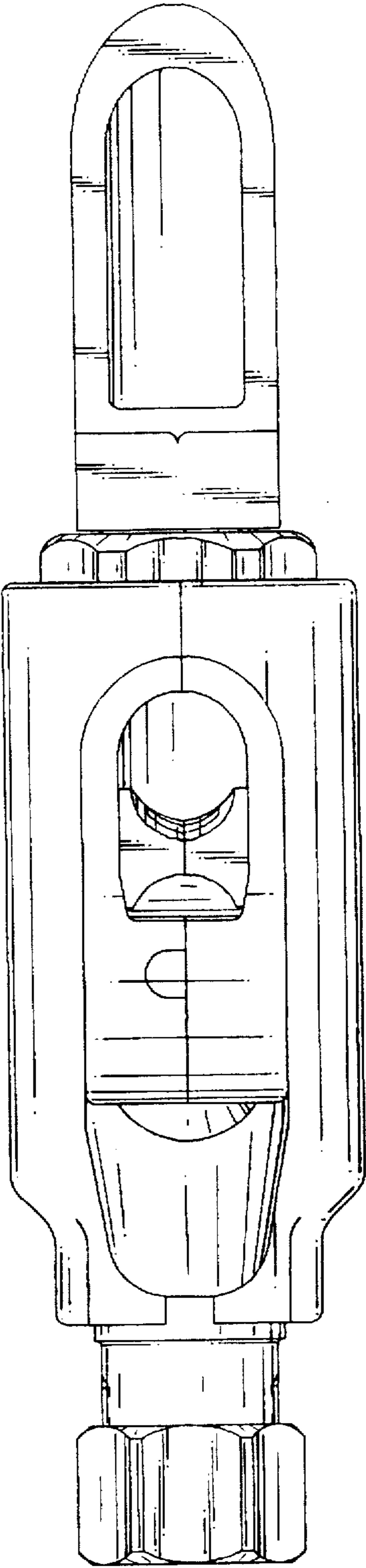


FIG. 5