



US00D397009S

United States Patent [19]
Hon

[11] **Patent Number: Des. 397,009**

[45] **Date of Patent: **Aug. 18, 1998**

[54] **CAN OPENER**

D. 339,723 9/1993 Tanfoglio D8/41
5,197,197 3/1993 Himmighofen et al. 30/416

[75] **Inventor: Chi Shun Hon, New Territories, Hong Kong**

Primary Examiner—Caron D. Veynar
Attorney, Agent, or Firm—Beveridge, DeGrandi, Weilacher & Young LLP

[73] **Assignee: Sun Mei Industrial Limited, New Territories, Hong Kong**

[**] **Term: 14 Years**

[57] **CLAIM**

The ornamental design for a can opener, as shown and described.

[21] **Appl. No.: 76,461**

DESCRIPTION

[22] **Filed: Sep. 11, 1997**

[51] **LOC (6) Cl. 07-99**

[52] **U.S. Cl. D8/39; D8/41**

[58] **Field of Search D8/33-43; 7/151; 30/400, 410, 416, 429, 443; 81/3.07, 3.4**

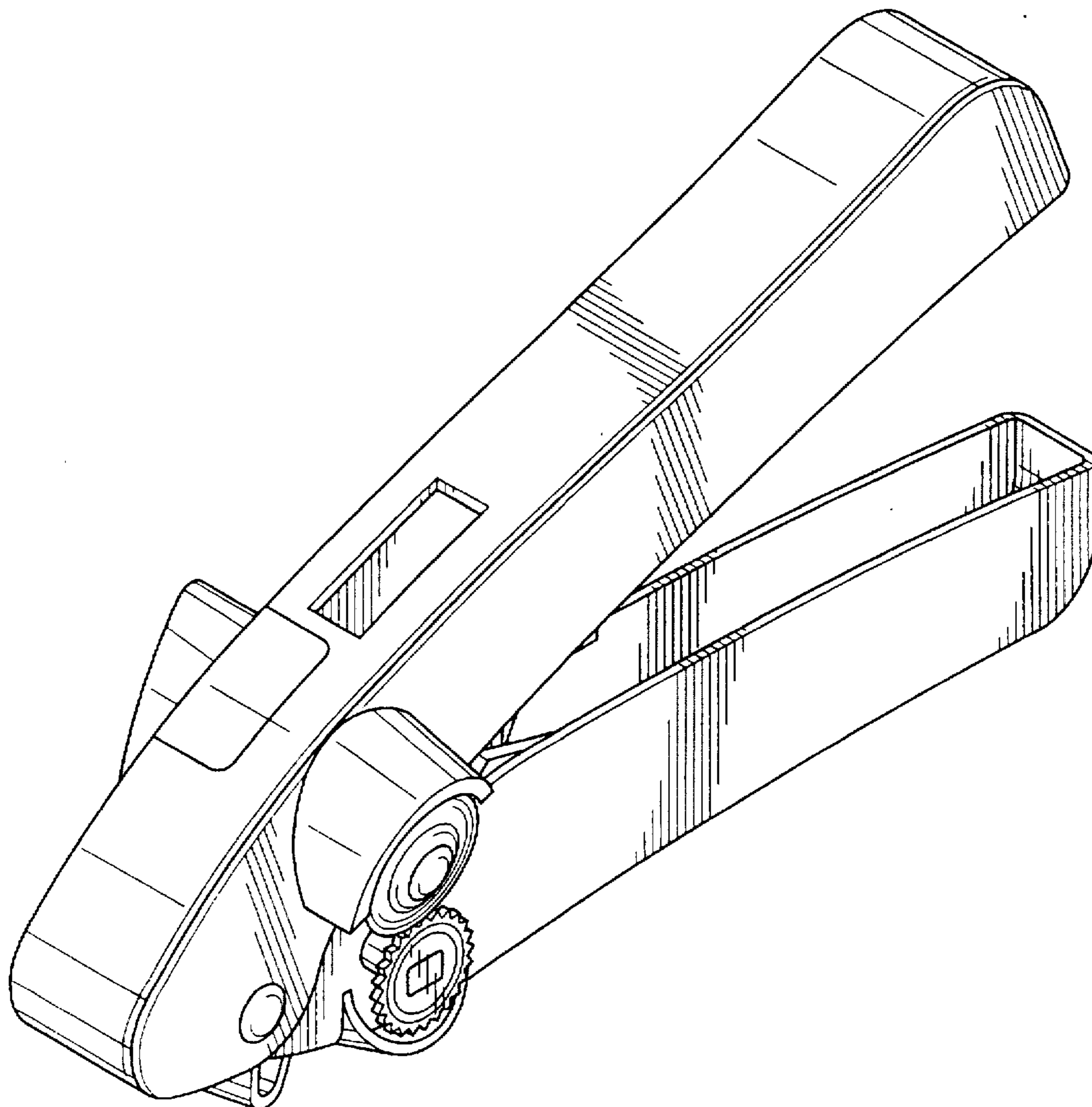
FIG. 1 is a rear perspective view of a can opener showing my new design;
FIG. 2 is a front view thereof;
FIG. 3 is a rear view thereof;
FIG. 4 is a left side view thereof;
FIG. 5 is a right side view thereof;
FIG. 6 is a top view thereof; and,
FIG. 7 is a bottom view thereof.

[56] **References Cited**

U.S. PATENT DOCUMENTS

D. 269,151 5/1983 Schulein D8/39
D. 322,919 1/1992 Holcomb et al. D8/39

1 Claim, 4 Drawing Sheets



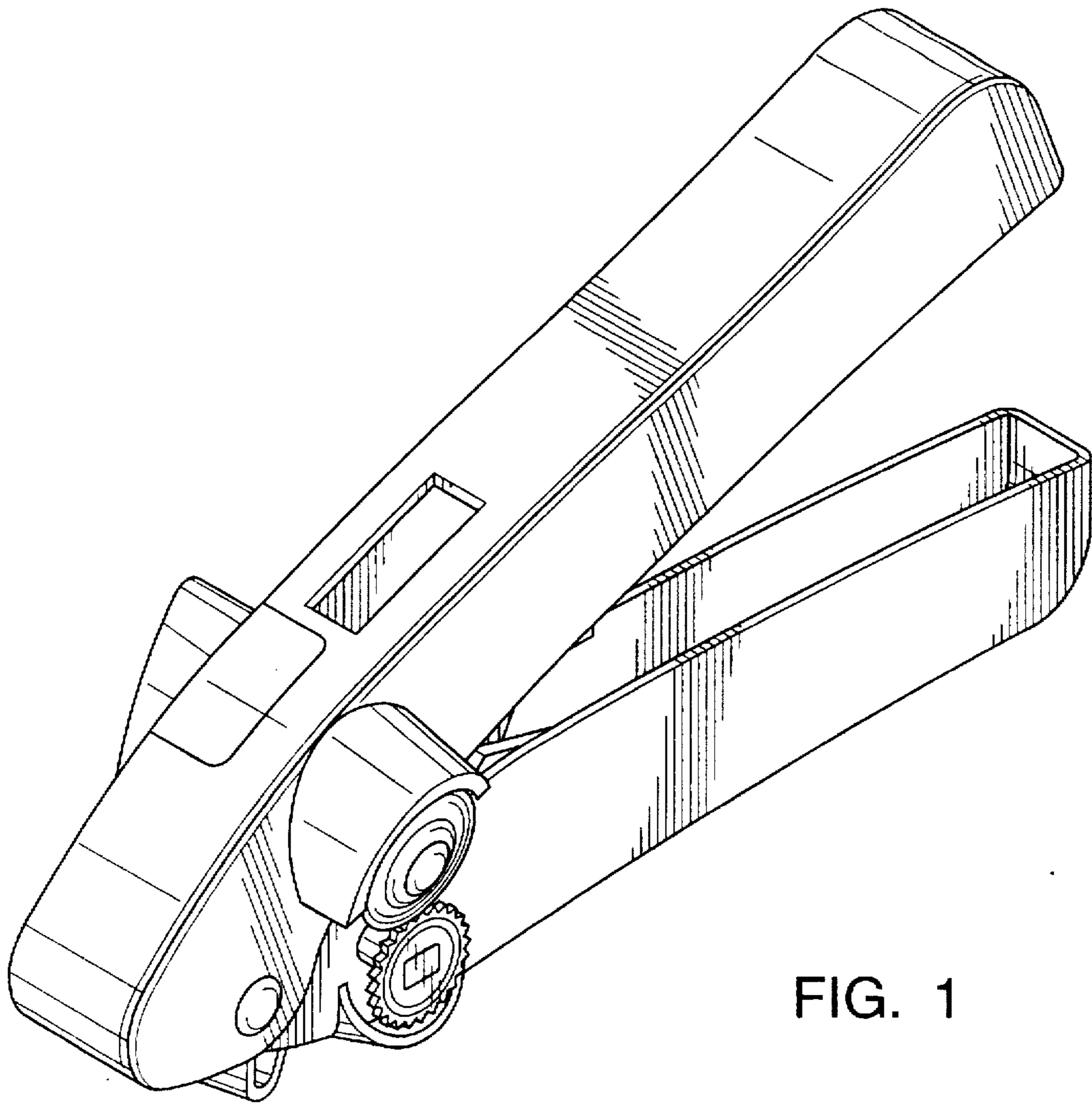


FIG. 1

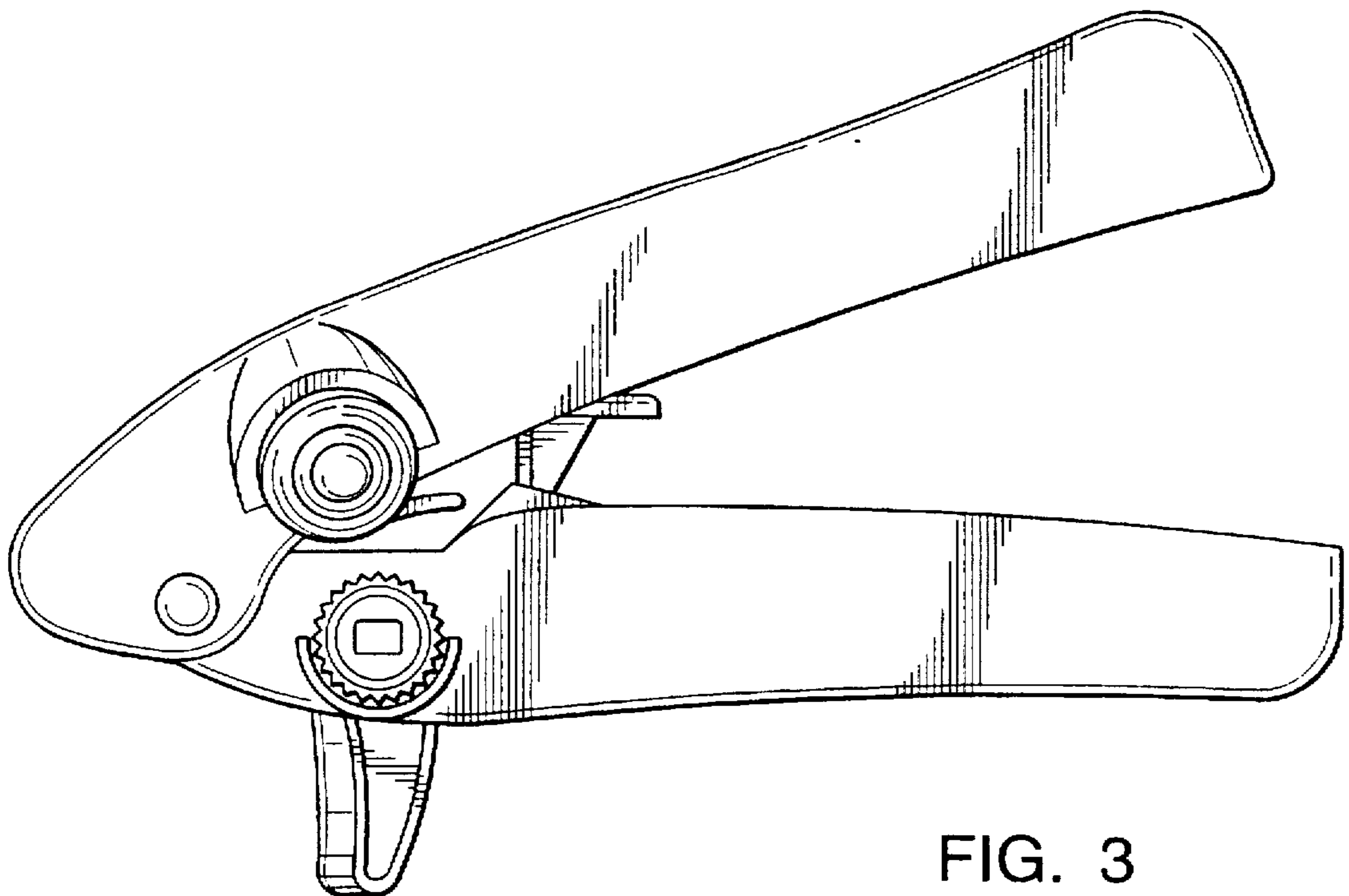
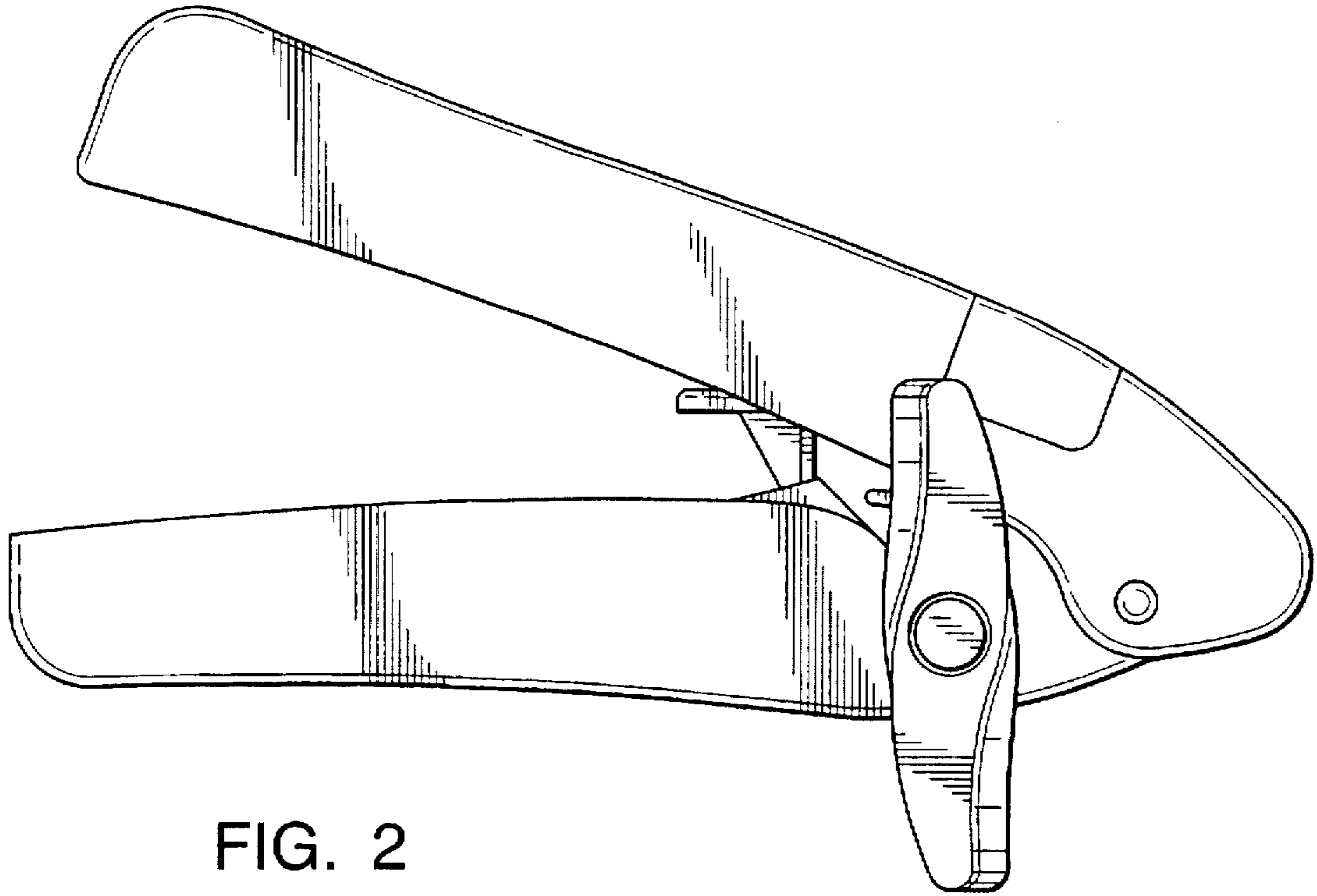


FIG. 4

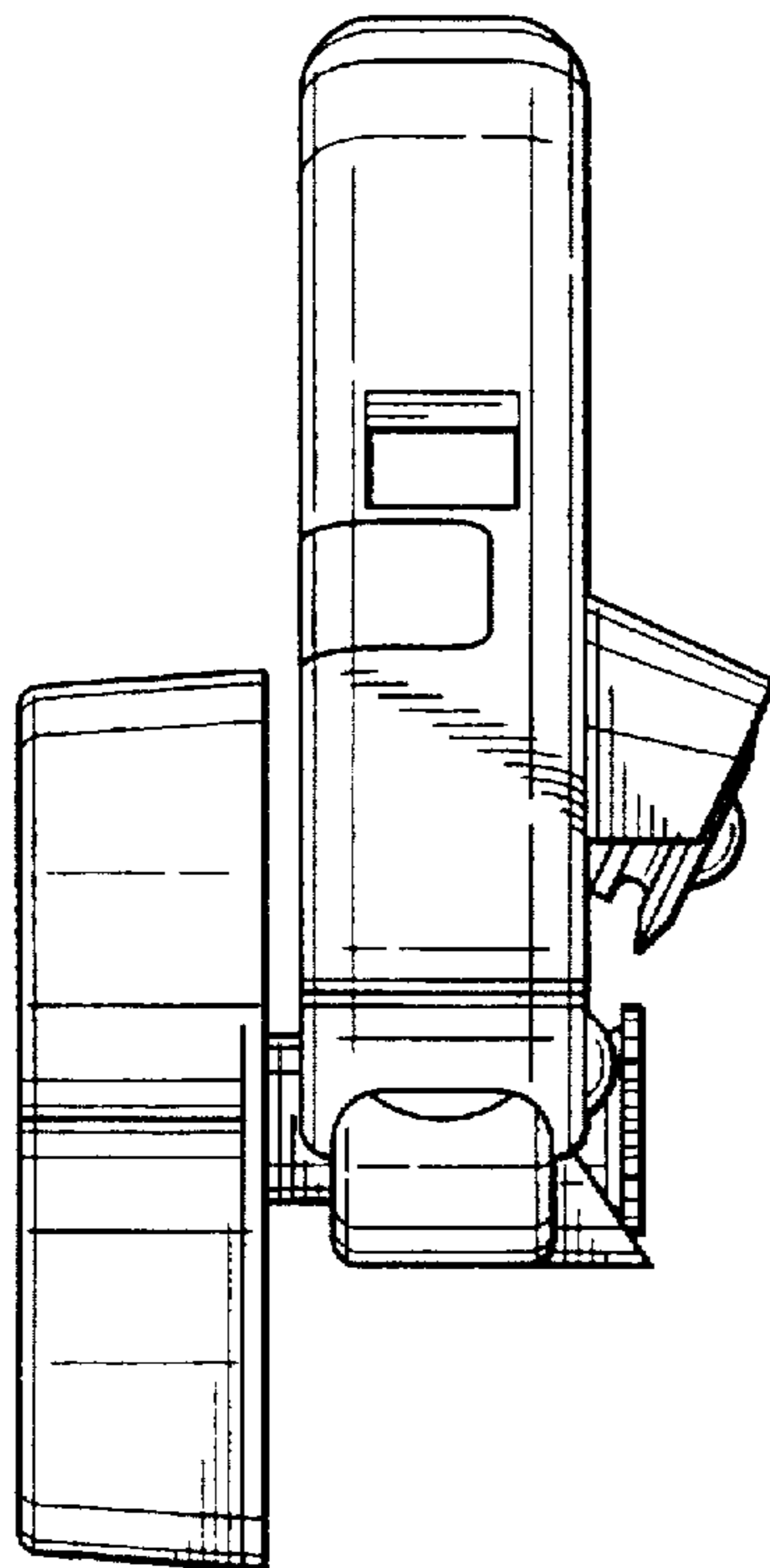
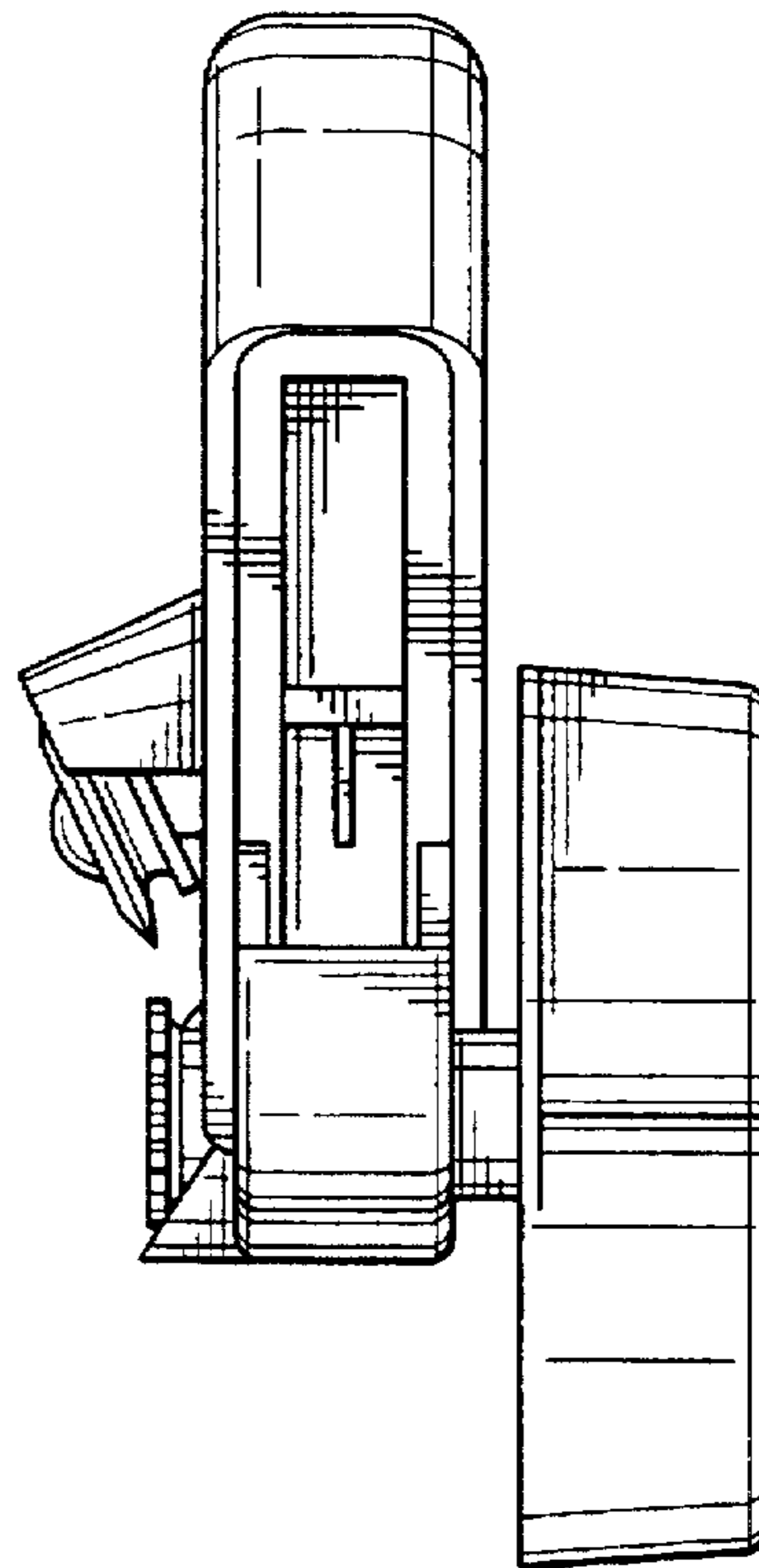


FIG. 5

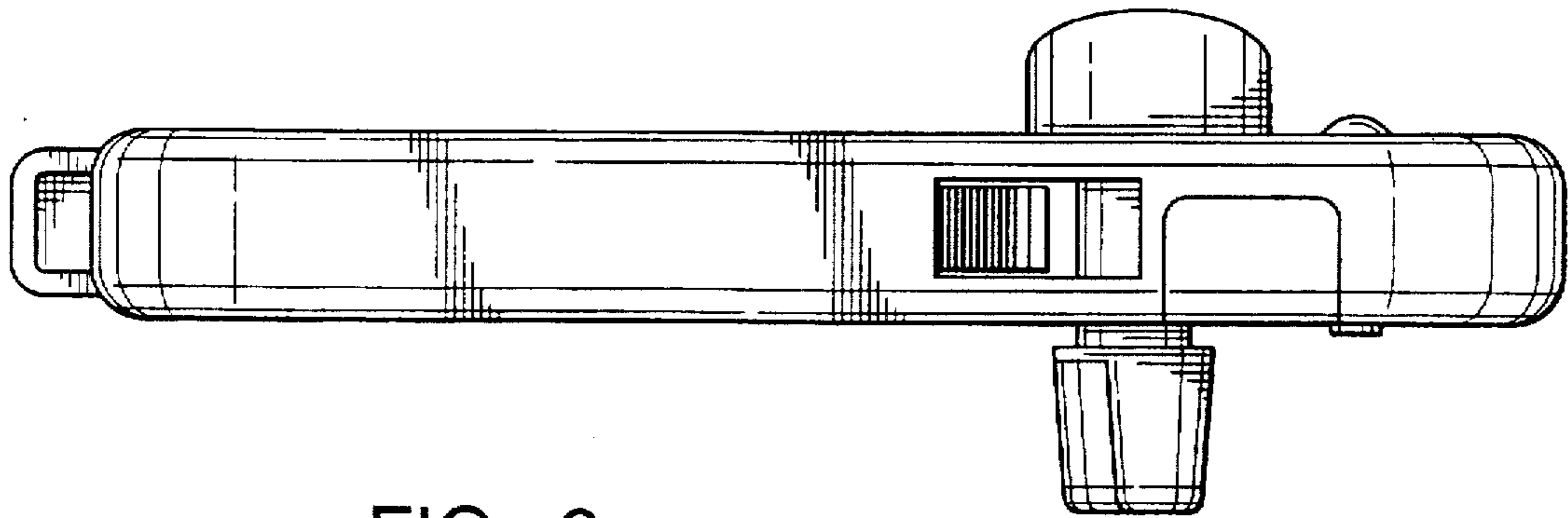


FIG. 6

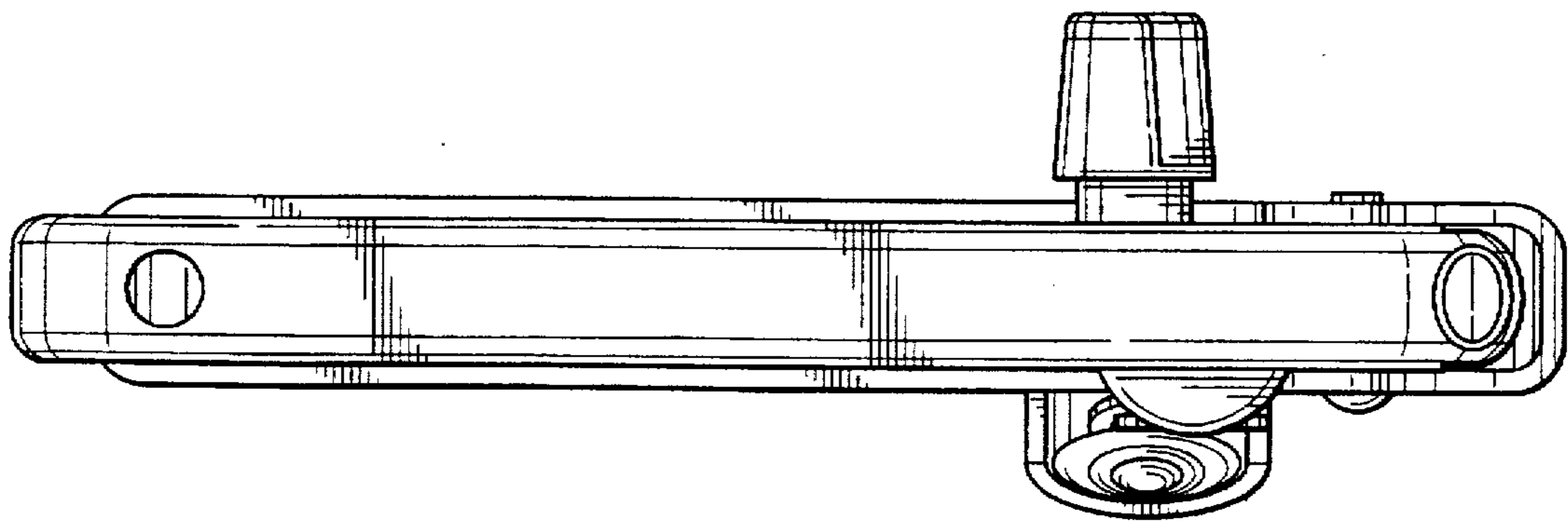


FIG. 7