

US00D397002S

**United States Patent** [19]  
**Smith**

[11] **Patent Number: Des. 397,002**

[45] **Date of Patent: \*\*Aug. 18, 1998**

[54] **COMBINATION FUNNEL AND PLASTIC BAG STAND FOR HOME-MADE FROZEN FLAVORED DRINK POPSICLES**

1,486,078 3/1924 Dumont ..... 141/344  
1,727,195 9/1929 Black ..... 141/300  
3,245,437 4/1966 Holz ..... 141/331

[76] Inventor: **Sharon D. Smith**, 85 Edgar St., Atlantic Beach, Fla. 32233

*Primary Examiner*—Terry A. Wallace

[\*\*] Term: **14 Years**

[57] **CLAIM**

[21] Appl. No.: **68,050**

The ornamental design for a combination funnel and plastic bag stand for home-made frozen flavored drink popsicles, as shown and described.

[22] Filed: **Mar. 19, 1997**

**DESCRIPTION**

[51] LOC (6) Cl. .... **07-99**

FIG. 1 is an exploded front elevational view of the combination funnel and plastic bag stand for home-made frozen flavored drink popsicles showing my new design; FIG. 2 is an exploded rear elevational view thereof; FIG. 3 is an exploded right side view thereof; FIG. 4 is an exploded left side view thereof; FIG. 5 is a top plan view thereof; FIG. 6 is a bottom plan view thereof; and, FIG. 7 is a right side view thereof with the funnel inserted into the stand portion.

[52] U.S. Cl. .... **D7/700**

[58] Field of Search ..... D7/700, 601; D24/122; 141/331-345, 297-300, 95

[56] **References Cited**

**U.S. PATENT DOCUMENTS**

D. 238,648 2/1976 Jablecki ..... D7/700  
441,960 12/1890 Kiernan et al. .... 141/343  
657,080 9/1900 Belden ..... 141/95  
791,261 5/1905 Ganon ..... 141/95 X

**1 Claim, 3 Drawing Sheets**

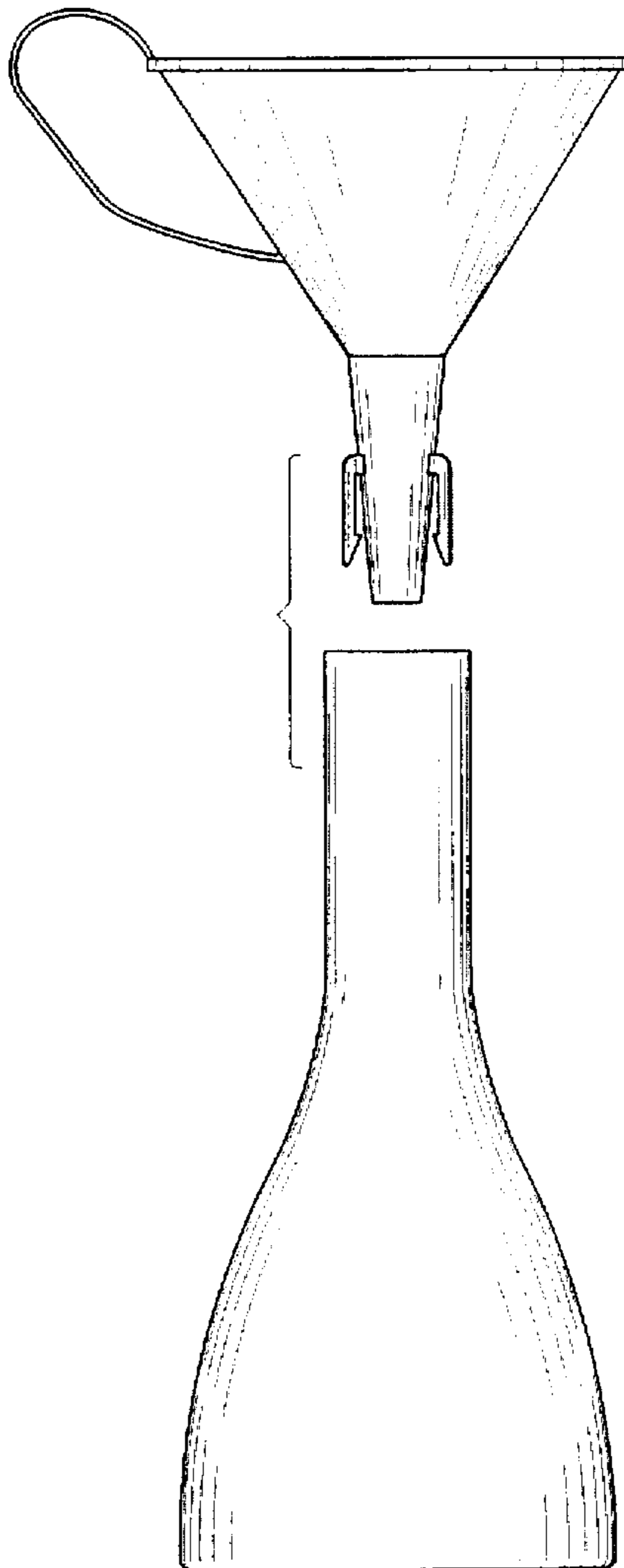


FIG. 1

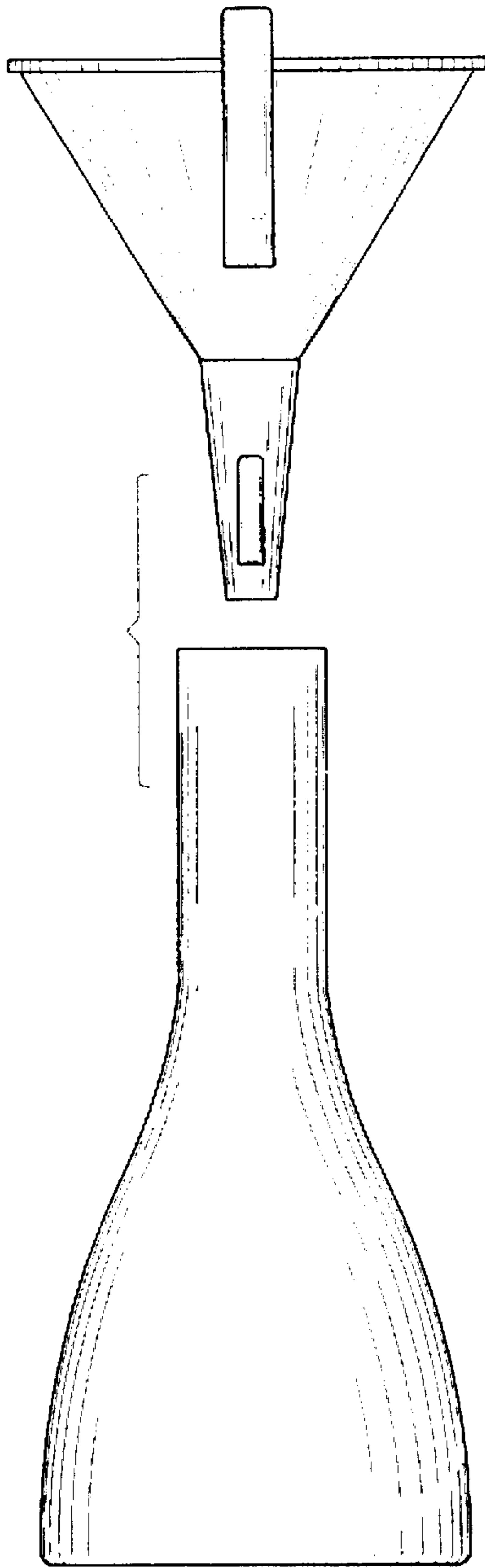


FIG. 2

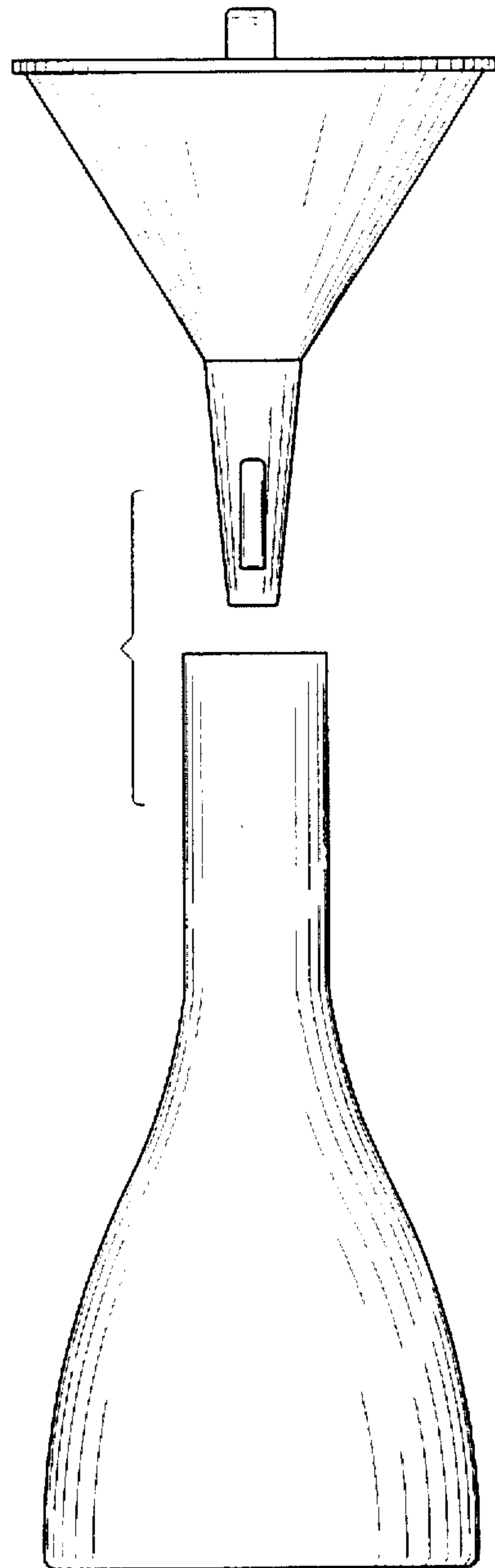


FIG. 3

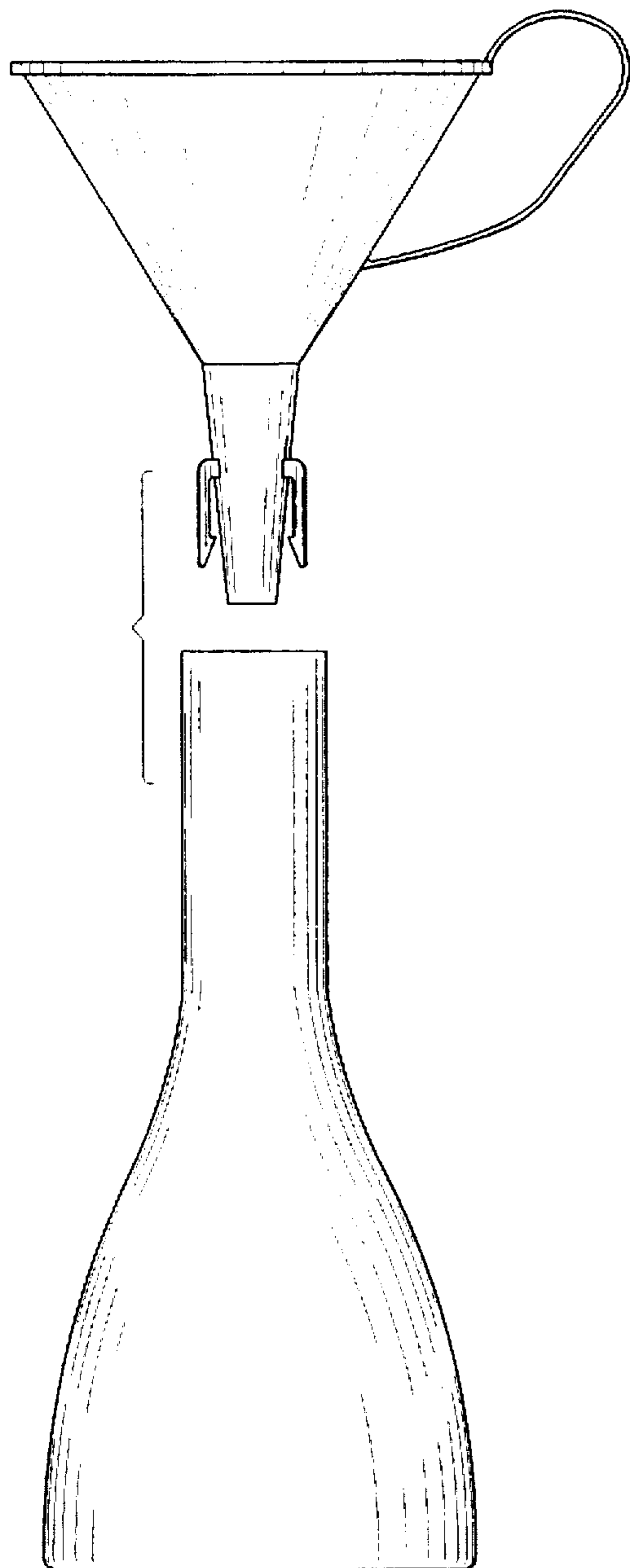


FIG. 4

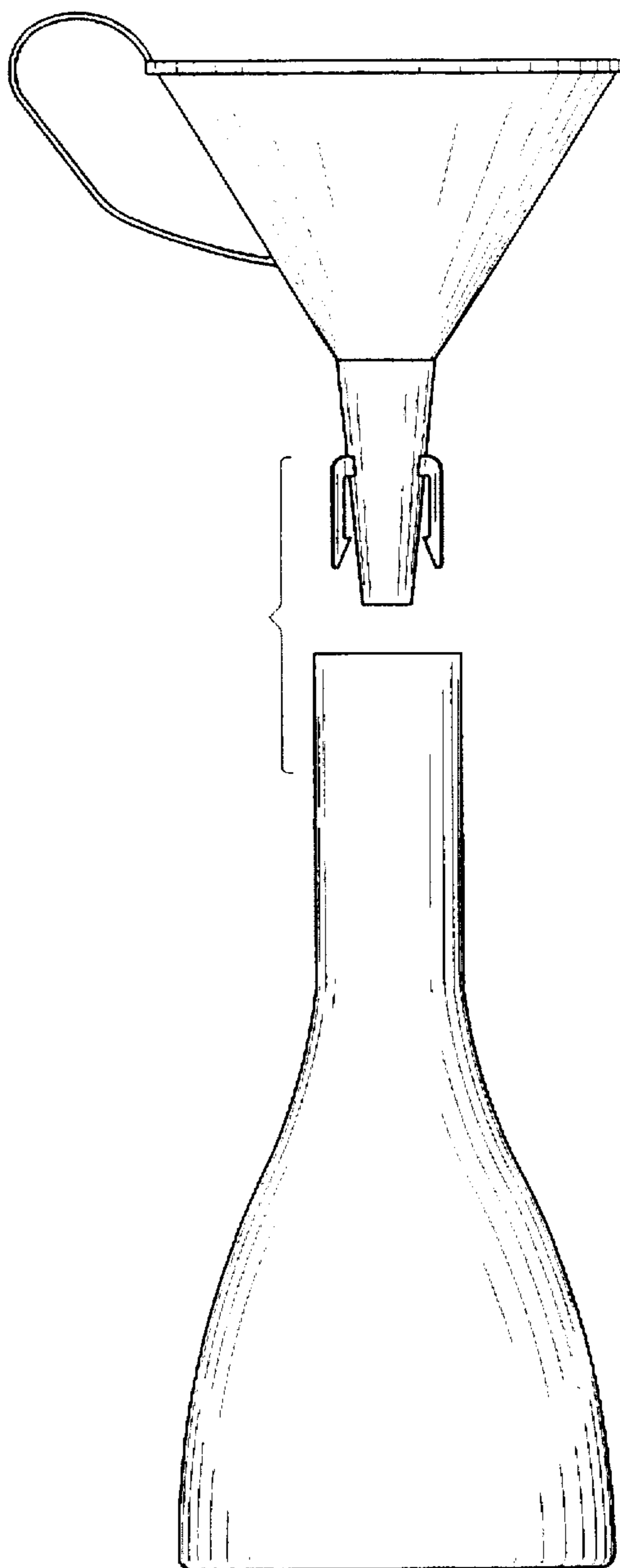


FIG. 5

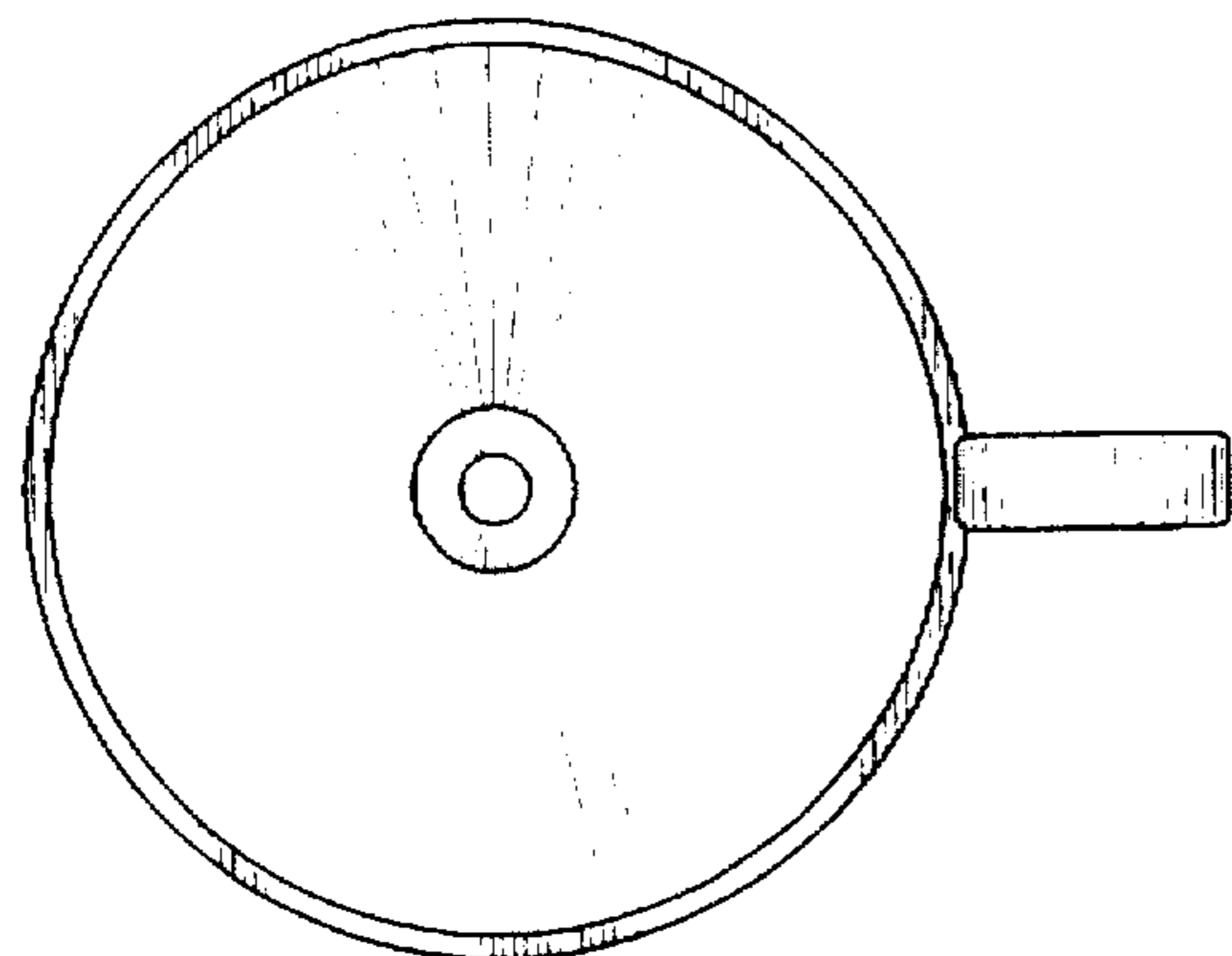


FIG. 7

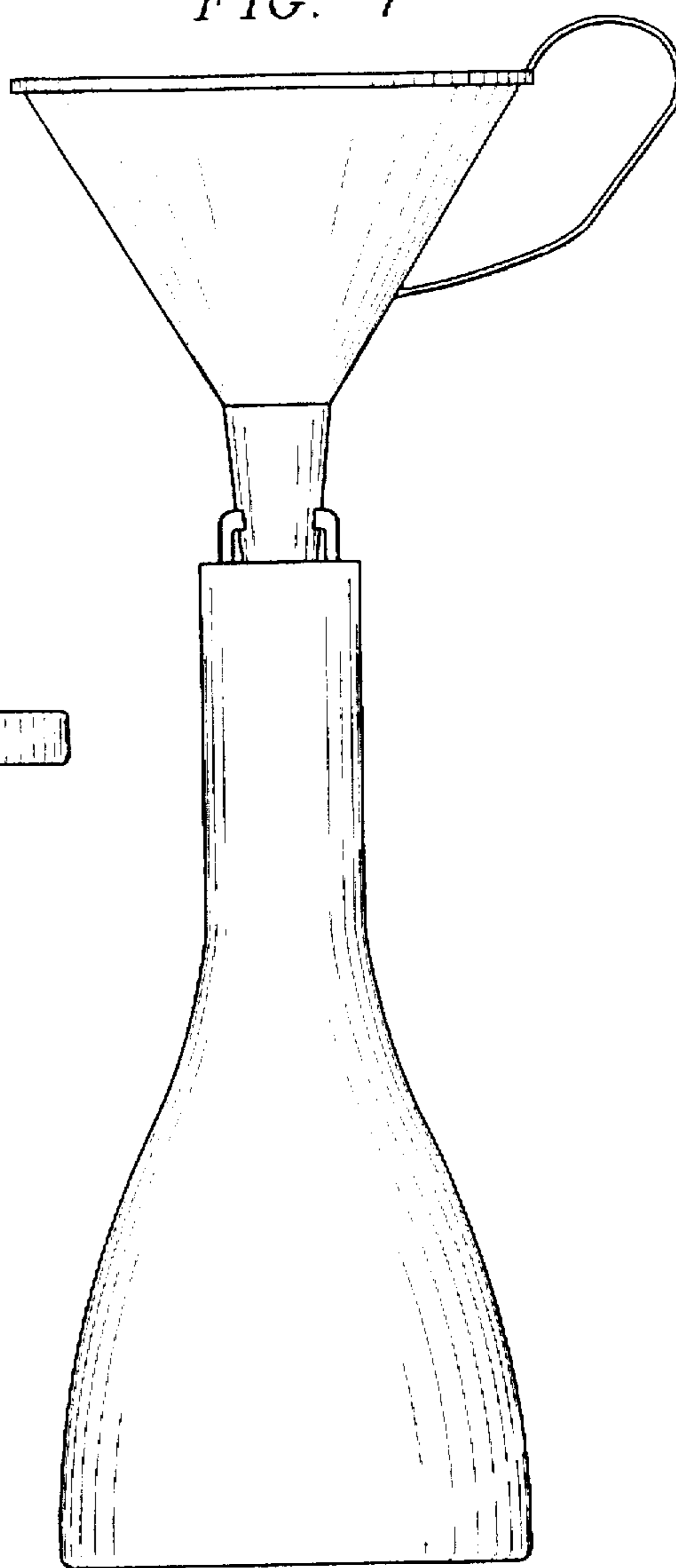
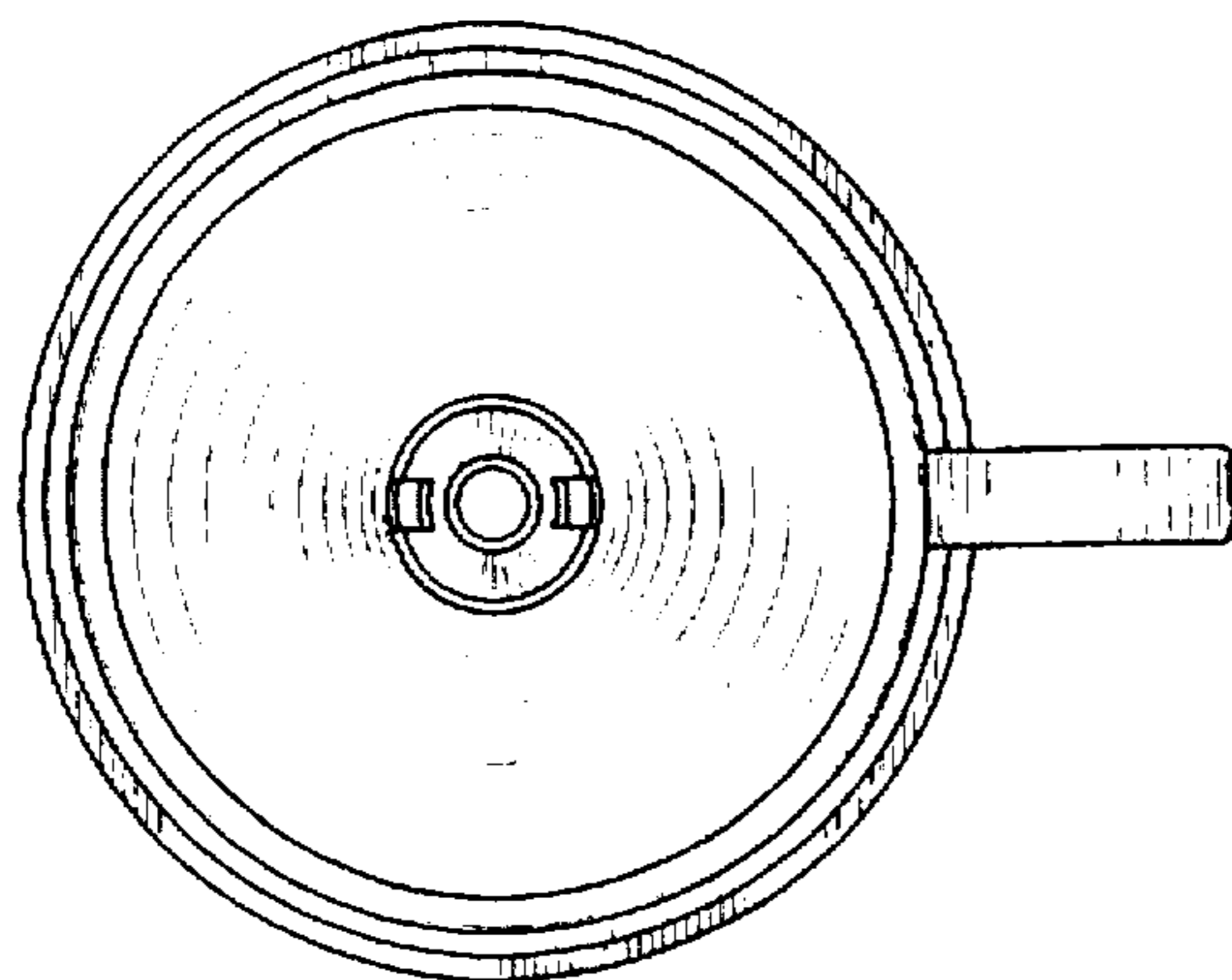


FIG. 6



UNITED STATES PATENT AND TRADEMARK OFFICE  
**CERTIFICATE OF CORRECTION**

PATENT NO. : Des. 397,002  
DATED : August 18, 1998  
INVENTOR(S) : Sharon D. Smith

It is certified that error appears in the above-identified patent and that said Letters Patent is hereby corrected as shown below:

In the title, claim and Fig. 1 description, change POPSICLES to – ICE POPS--.

Signed and Sealed this  
Eighth Day of December, 1998



**BRUCE LEHMAN**

*Commissioner of Patents and Trademarks*

*Attest:*

*Attesting Officer*