



US00D396995S

**United States Patent** [19]  
**Miltenberger**

[11] **Patent Number: Des. 396,995**  
[45] **Date of Patent: \*\*Aug. 18, 1998**

[54] **EMULSIFYER NOZZLE FOR AN ESPRESSO-MACHINE**

[75] **Inventor: Christof Miltenberger, Schmitten, Germany**

[73] **Assignee: Braun Aktiengesellschaft, Frankfurt, Germany**

[\*\*] **Term: 14 Years**

[21] **Appl. No.: 65,472**

[22] **Filed: Jan. 23, 1997**

[30] **Foreign Application Priority Data**

Jul. 24, 1996 [DE] Germany ..... M9606313.0

[51] **LOC (6) Cl. .... 07-99**

[52] **U.S. Cl. .... D7/398; D7/397**

[58] **Field of Search .... D7/397, 309, 310, D7/311, 387, 398; 99/293**

[56] **References Cited**

**U.S. PATENT DOCUMENTS**

- D. 310,152 8/1990 Mahlich et al. .
- D. 316,356 4/1991 Borgmann .
- D. 351,529 10/1994 Scott, Jr. .
- D. 361,691 8/1995 Maass, Jr. .... D7/311 X
- D. 362,998 10/1995 Muller et al. .... D7/398
- D. 362,999 10/1995 Müller et al. .... D7/398

- D. 366,180 1/1996 Littmann .
- D. 382,437 8/1997 Amiel ..... D7/311 X
- D. 382,439 8/1997 Feiz ..... D7/311 X
- 4,735,133 4/1988 Paoletti .
- 4,852,473 8/1989 Azpitarte Bolivar ..... D7/398 X
- 4,852,474 8/1989 Mahlich et al. .
- 4,945,824 8/1990 Borgmann .
- 4,949,631 8/1990 Fregnan .
- 5,154,112 10/1992 Wettem .
- 5,233,915 8/1993 Siccardi .
- 5,330,266 7/1994 Stubaus ..... 99/293 X
- 5,339,725 8/1994 De'Longhi .

*Primary Examiner*—M. N. Pandozzi  
*Attorney, Agent, or Firm*—Fish & Richardson P.C.

[57] **CLAIM**

The ornamental design for an emulsifyer nozzle for an espresso-machine, as shown and described.

**DESCRIPTION**

FIG. 1 is a top front perspective view of an emulsifyer nozzle for an espresso machine showing my new design; FIG. 2 is a left side elevational view thereof; FIG. 3 is a front elevational view thereof; FIG. 4 is a rear elevational view thereof; FIG. 5 is a right side elevational view thereof; FIG. 6 is a top plan view thereof; and, FIG. 7 is a bottom plan view thereof.

**1 Claim, 2 Drawing Sheets**

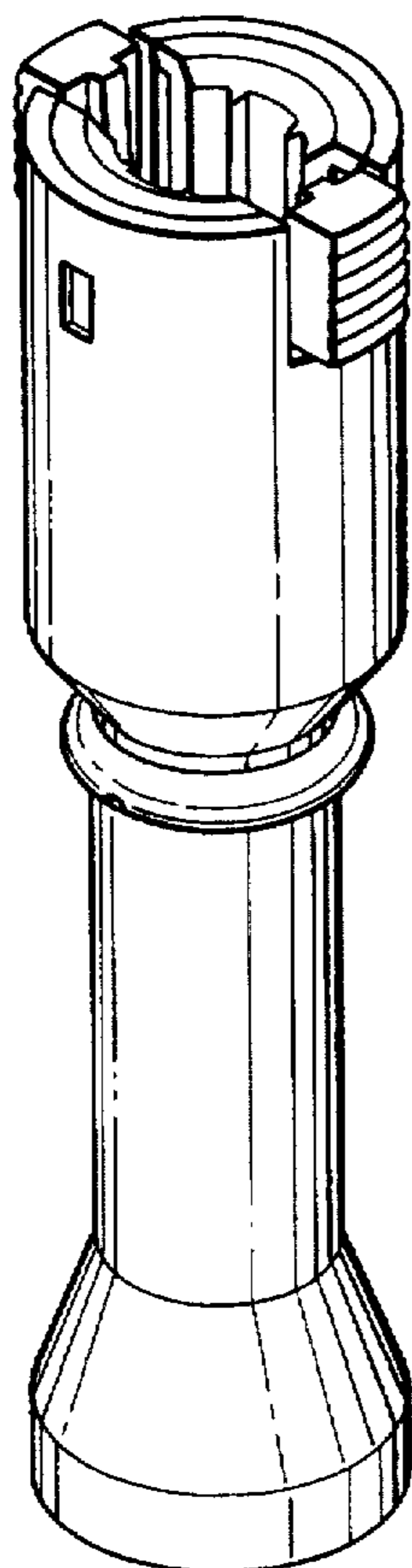


Fig. 1

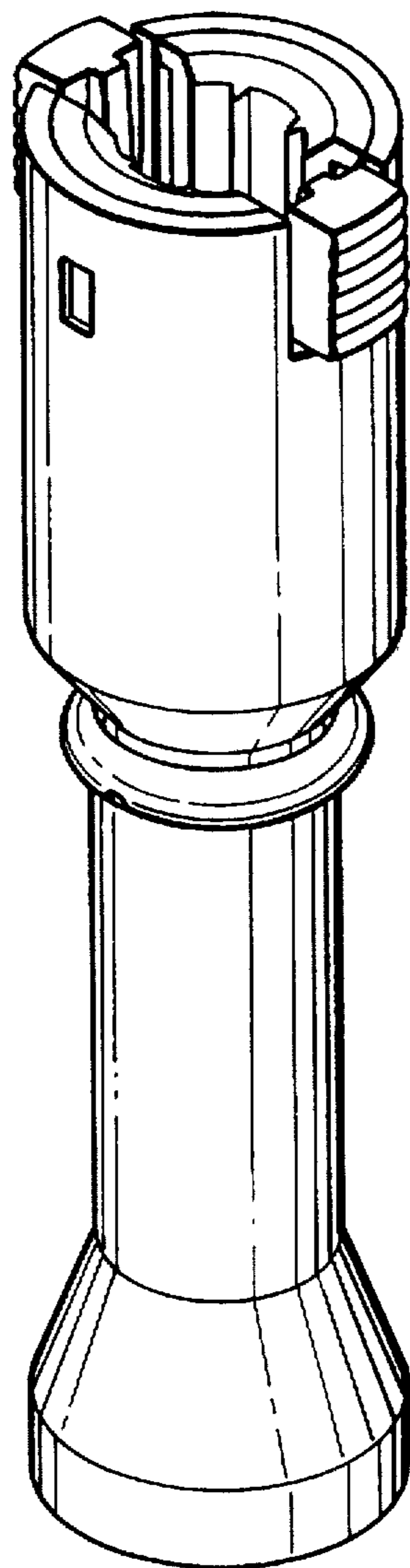


Fig. 6

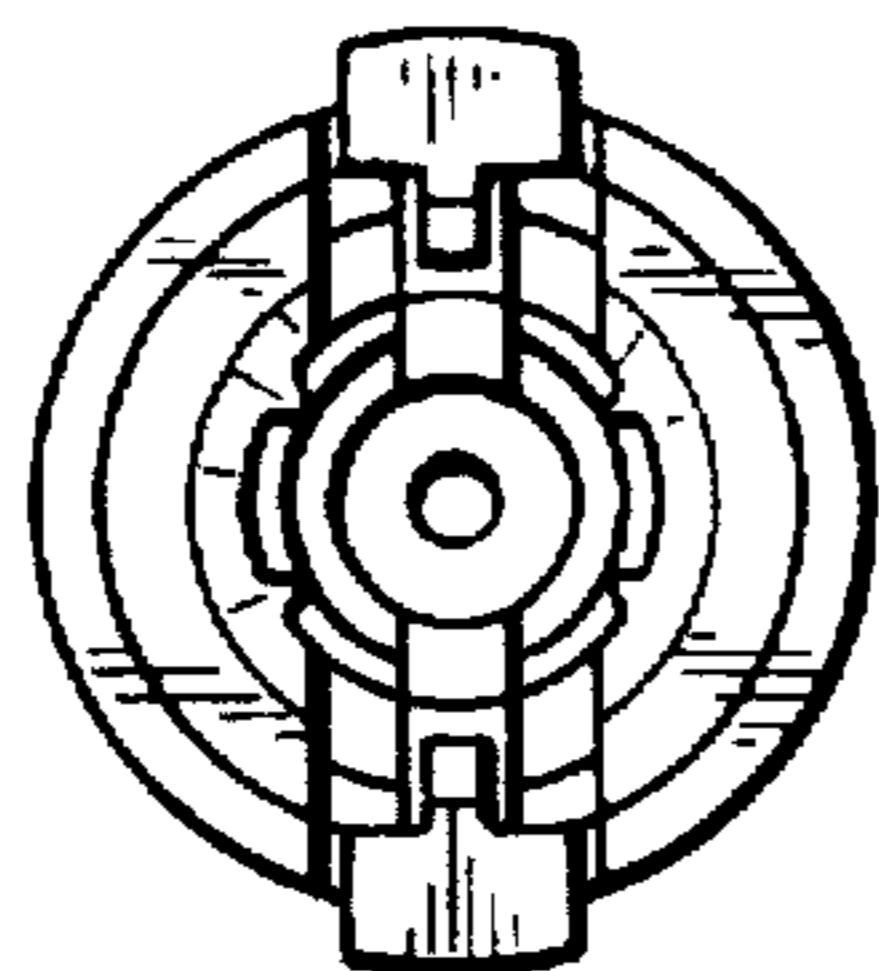


Fig. 3

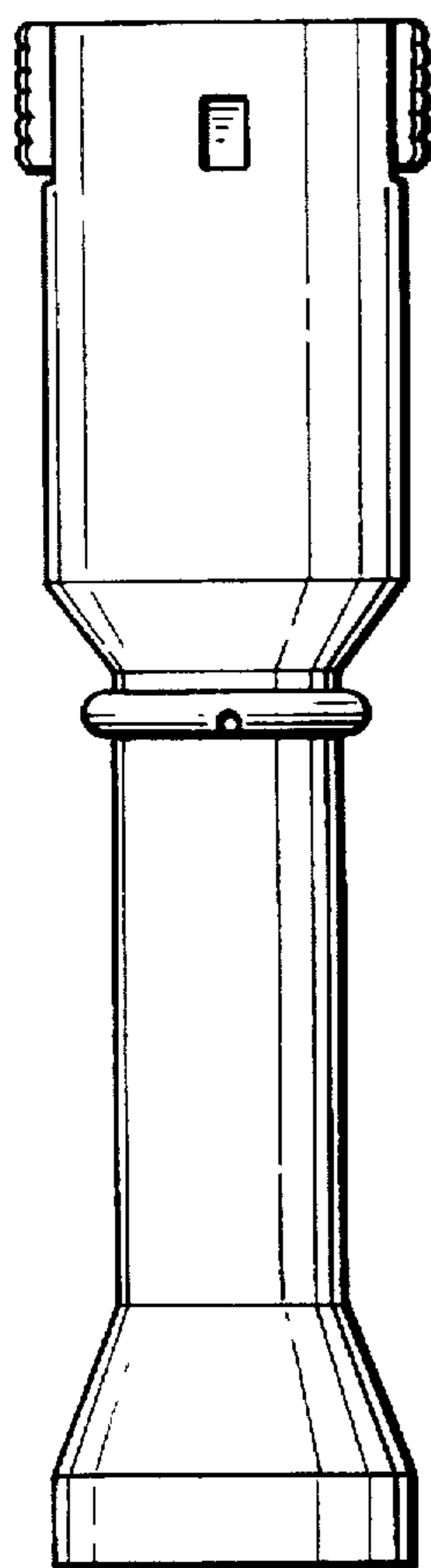


Fig. 2

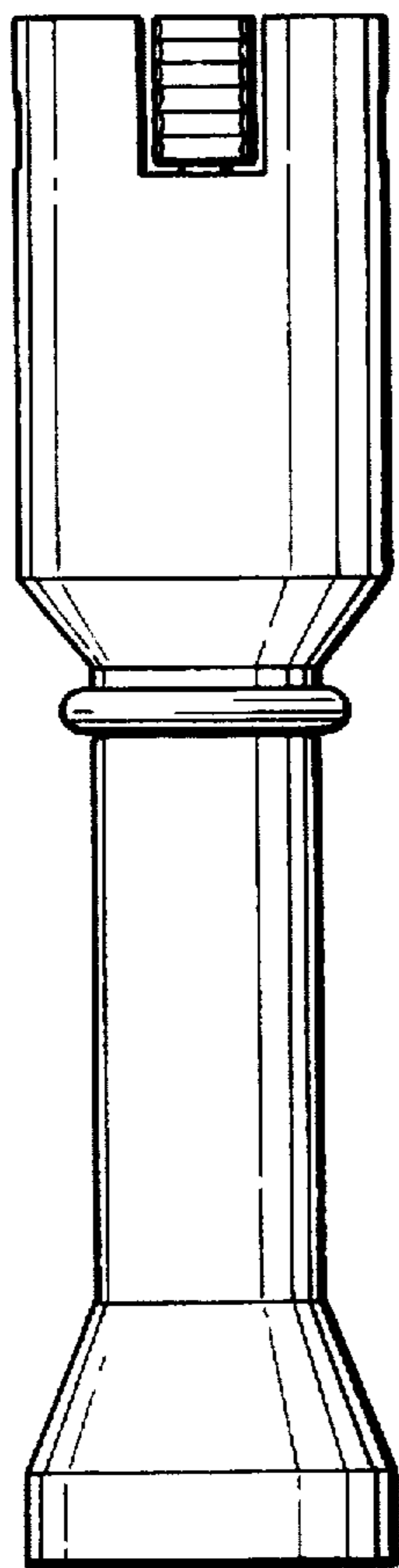


Fig. 4

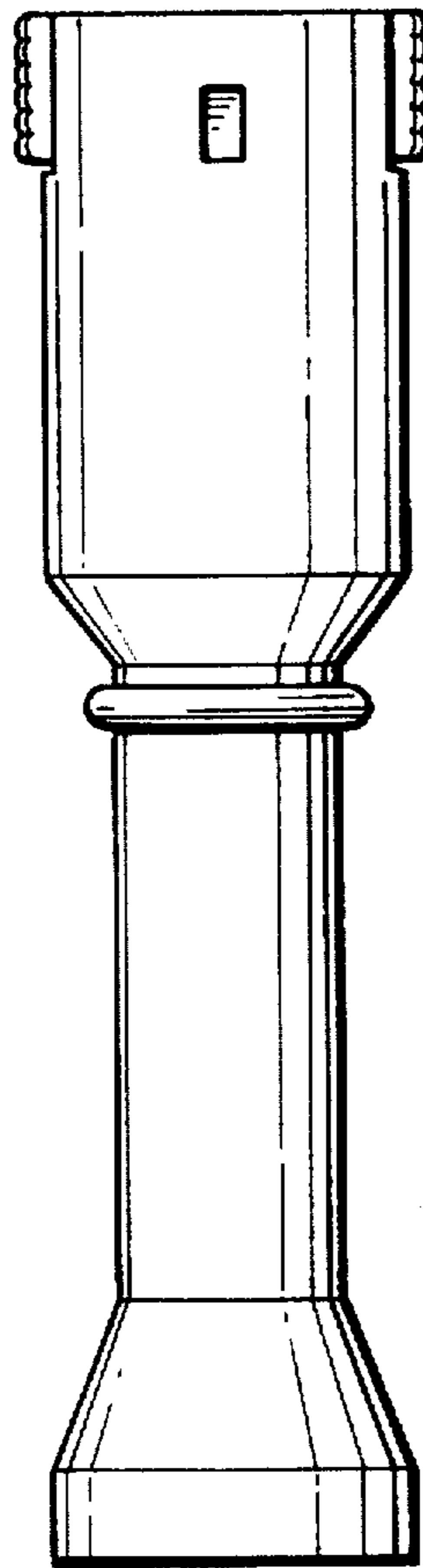


Fig. 5

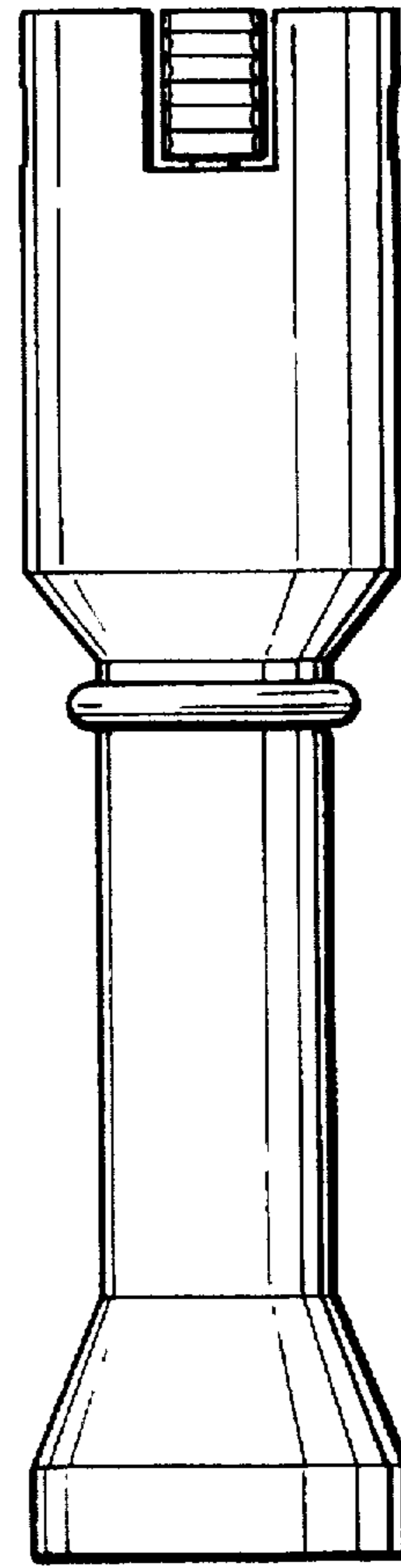


Fig. 7

