

US00D396993S

United States Patent [19]

[11] Patent Number: **Des. 396,993**

Ruck et al.

[45] Date of Patent: ****Aug. 18, 1998**

- [54] BLENDER LID
- [75] Inventors: **Robin W. Ruck**, Southbury; **James F. Podpolucha**, Ansonia, both of Conn.
- [73] Assignee: **Waring Products Division/Dynamics Corporation of America**, New Hartford, Conn.
- [**] Term: **14 Years**
- [21] Appl. No.: **34,838**
- [22] Filed: **Feb. 13, 1995**
- [51] LOC (6) Cl. **31-00**
- [52] U.S. Cl. **D7/391; D7/412**
- [58] Field of Search **D7/376-378, 384, D7/391, 413; 241/37.5, 92, 282.1, 282.2, 101.1, 101.2; 366/129, 130, 142, 197, 199, 204, 205, 279, 314; 99/495, 510-513**

4,349,122	9/1982	Klar et al.	220/373
4,460,101	7/1984	Tseng	215/307
4,693,393	9/1987	DeMinco	220/374
5,277,326	1/1994	Chiba	220/231
5,392,699	2/1995	Tai	241/37.5 X
5,405,096	4/1995	Seol	241/282.1

Primary Examiner—James Gandy
Assistant Examiner—Caron D. Veynar
Attorney, Agent, or Firm—McCormick, Paulding & Huber

[57] CLAIM

The ornamental design for a blender lid, as shown and described.

DESCRIPTION

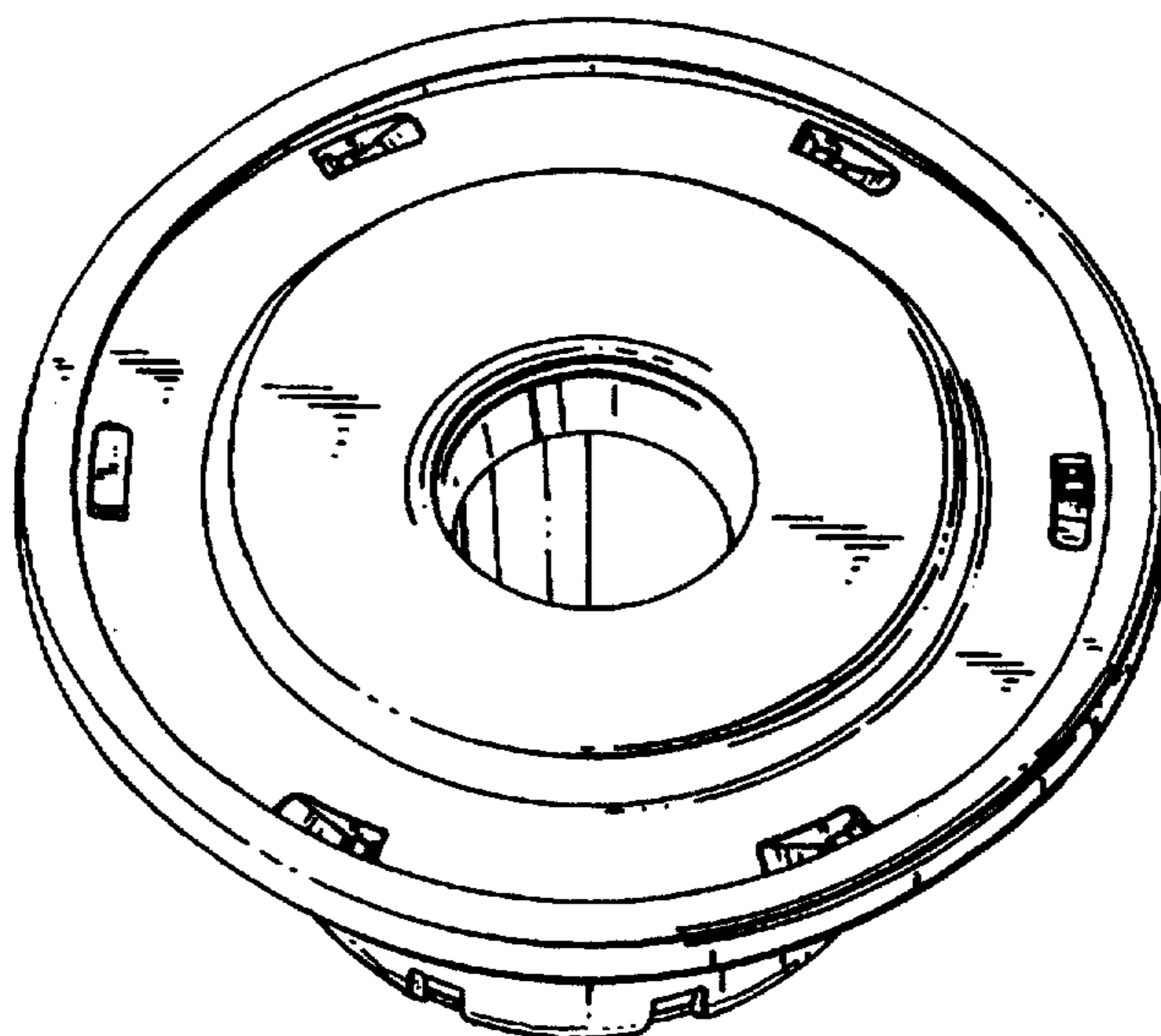
FIG. 1 is an exploded perspective view of the blender lid showing our new design;
 FIG. 2 is a side view of the design for a blender lid of the present invention, all sides being identical;
 FIG. 3 is a top view of the design for a blender lid of the present invention;
 FIG. 4 is a bottom view of the design for a blender lid of the present invention; and,
 FIG. 5 is a cross section view taken along line 5—5 in FIG. 2.

[56] References Cited

U.S. PATENT DOCUMENTS

D. 345,488	3/1994	Barnard et al.	D7/391 X
3,286,873	11/1966	Tuckey	220/374
3,385,467	5/1968	Linderberg	220/374

1 Claim, 2 Drawing Sheets



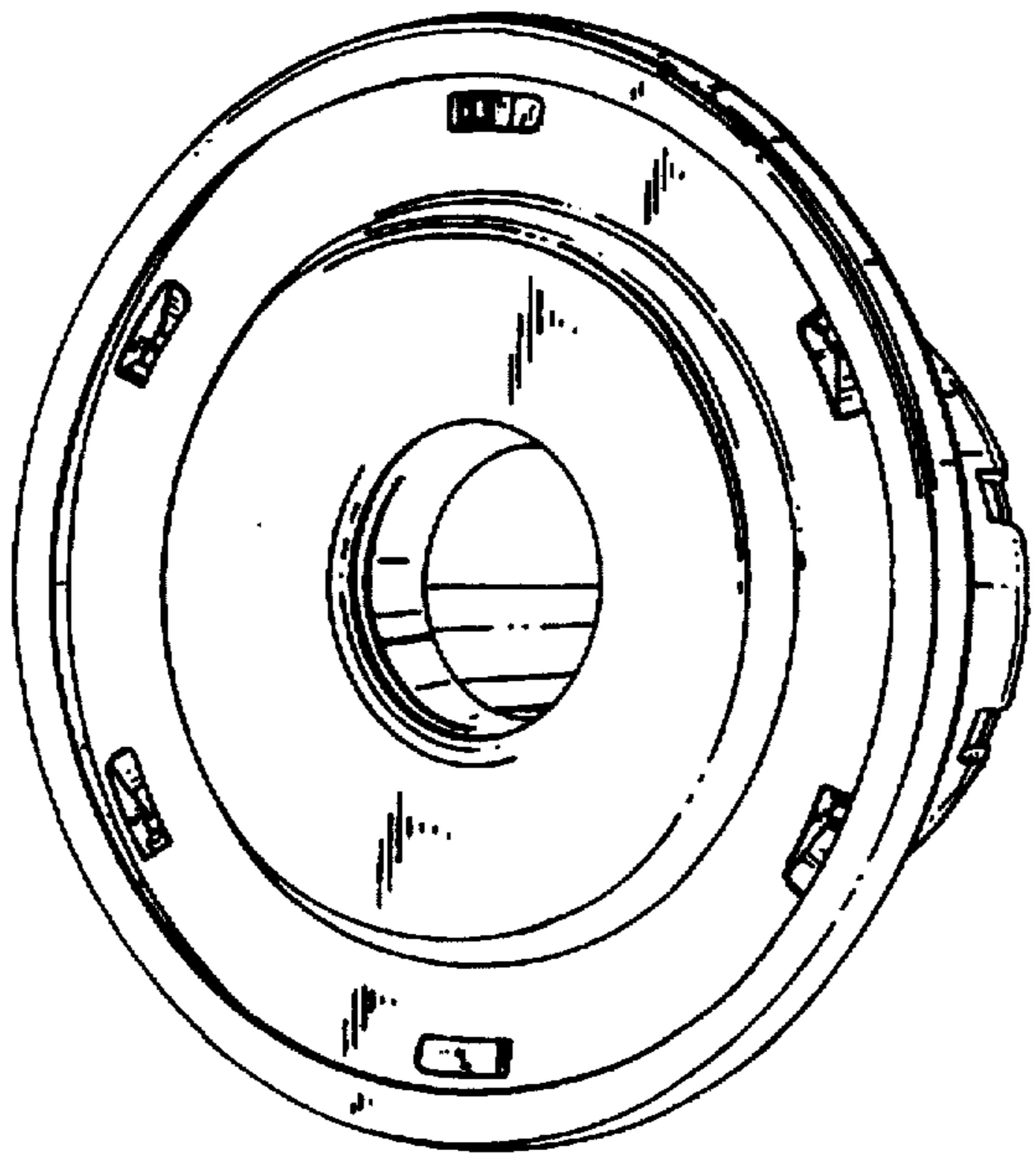


FIG. 1

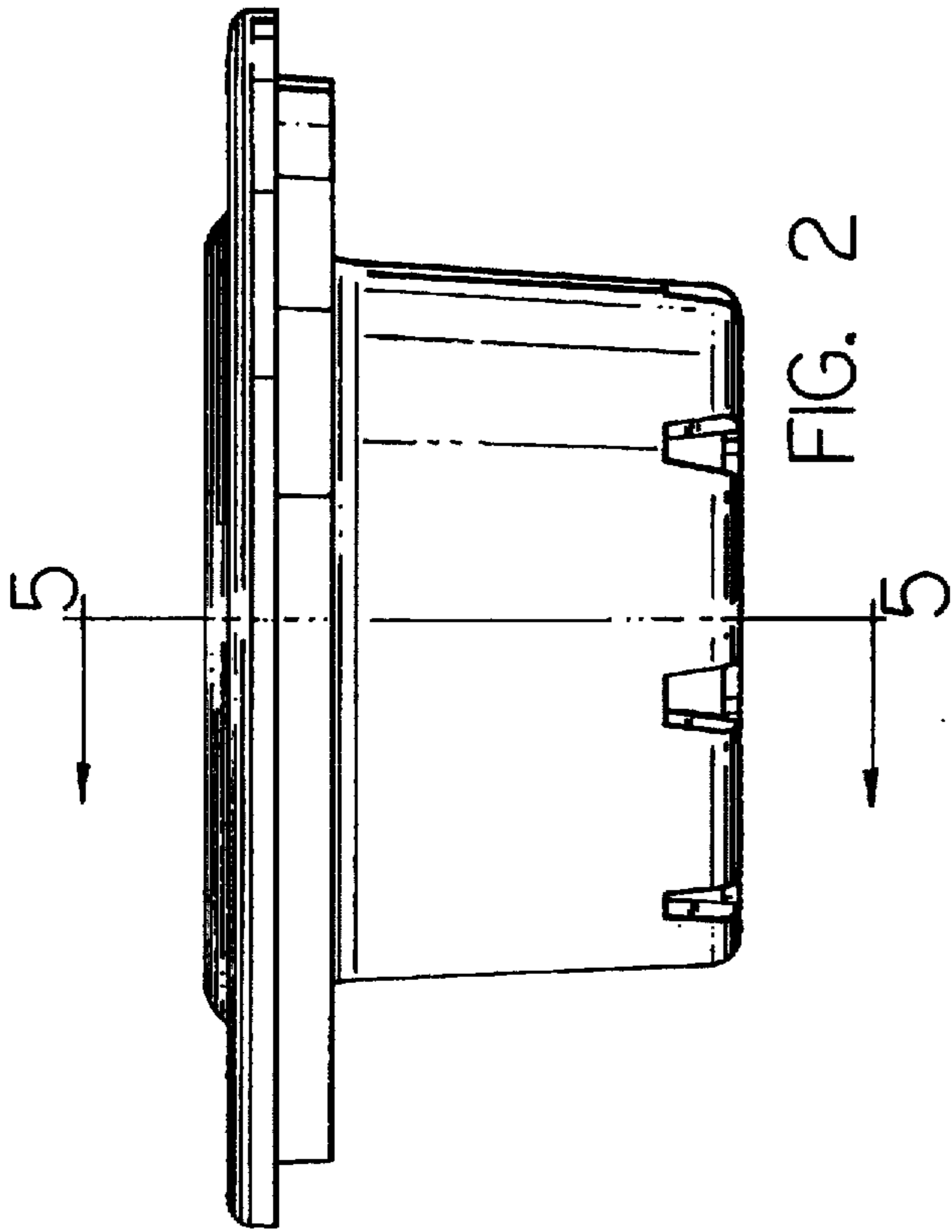


FIG. 2

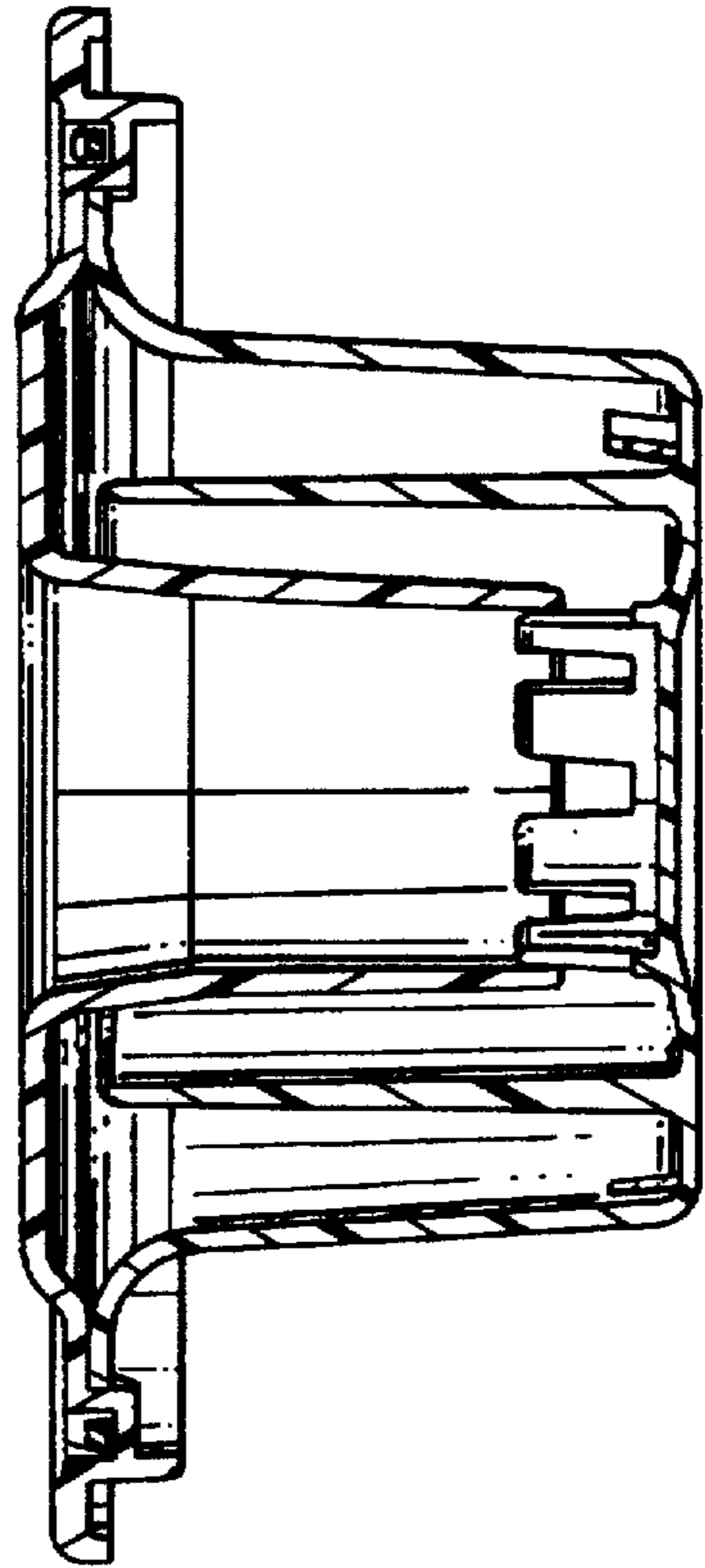


FIG. 5

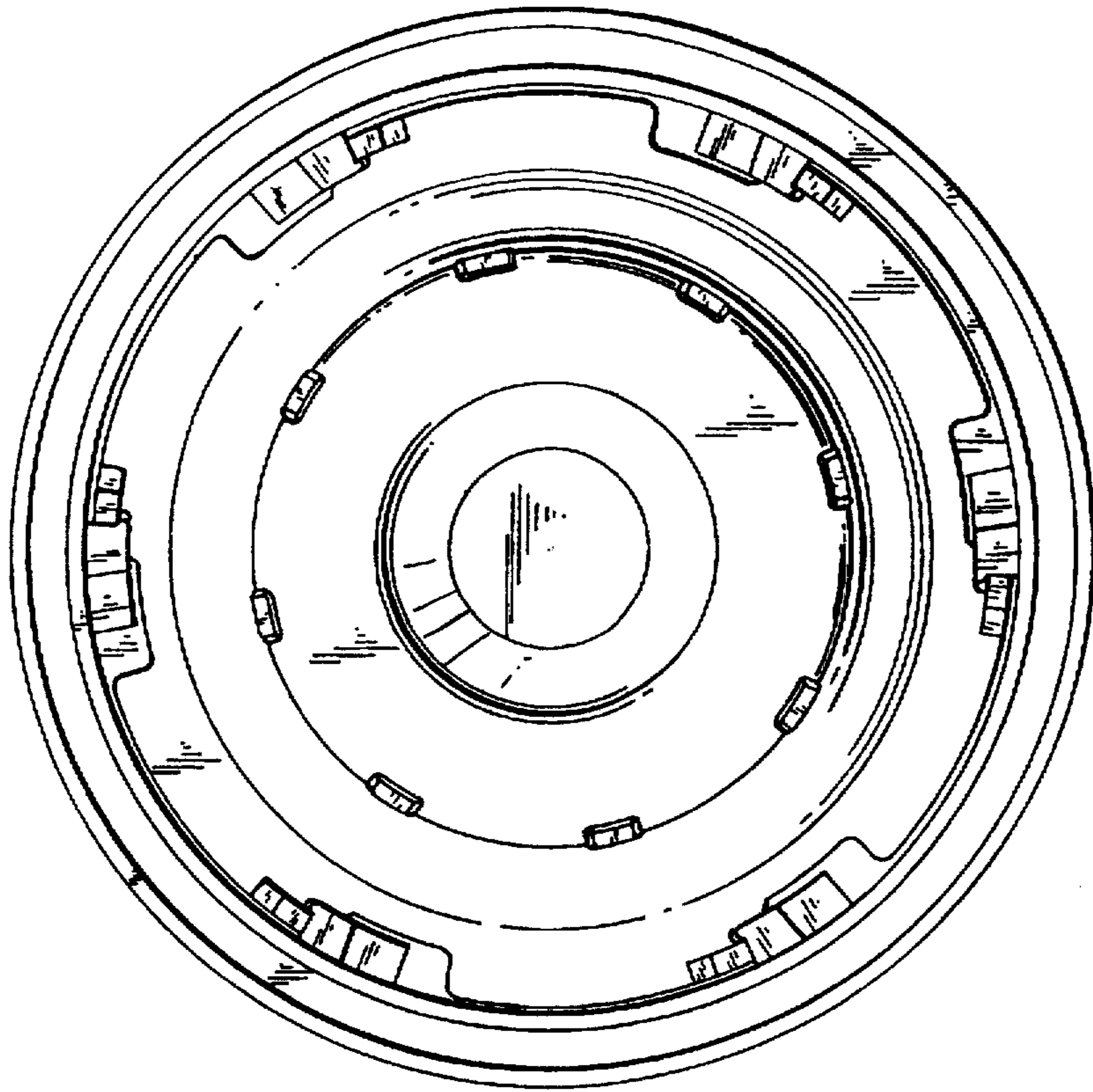


FIG. 4

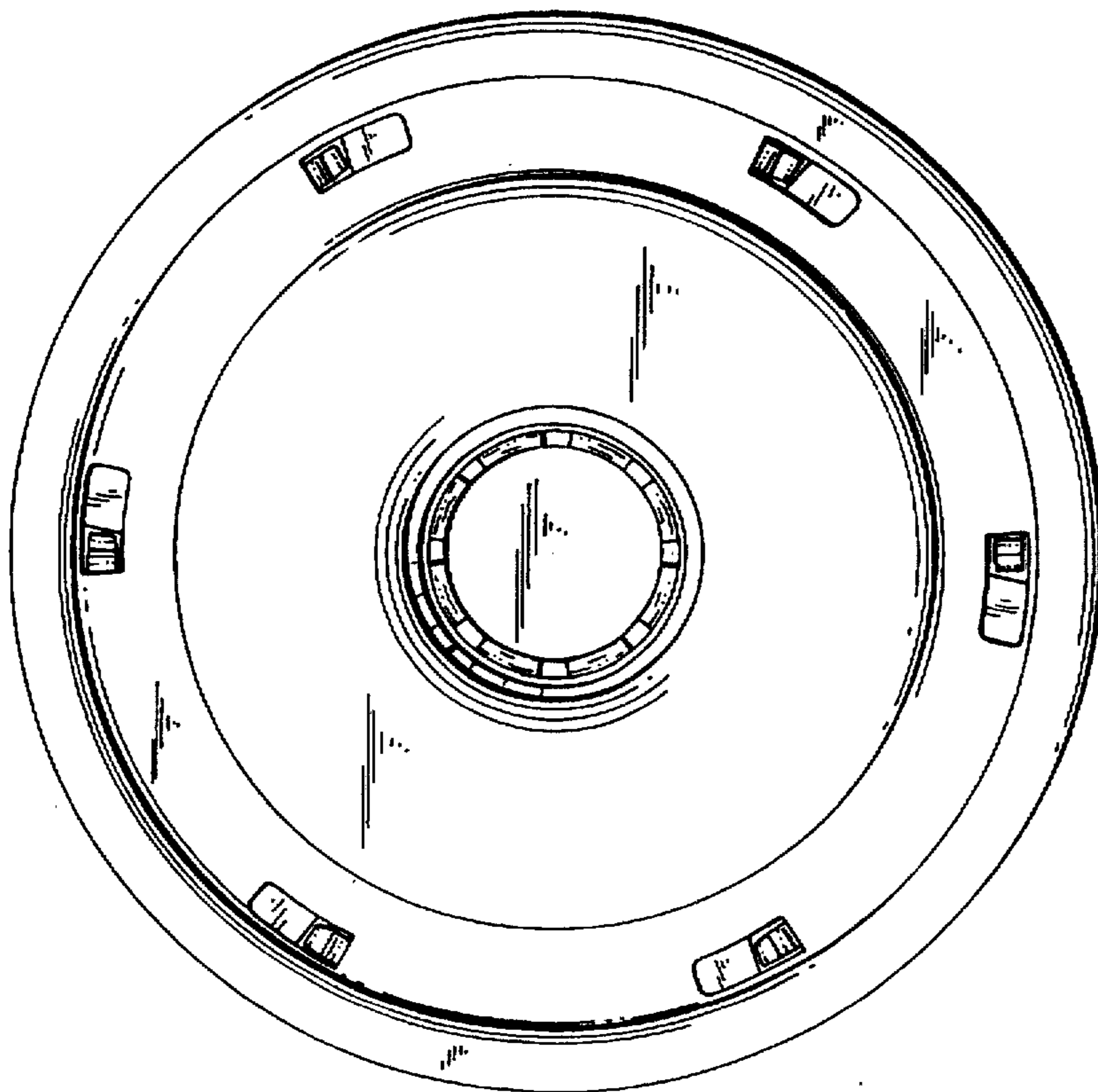


FIG. 3