



US00D396991S

United States Patent [19]
Lallemand

[11] **Patent Number: Des. 396,991**

[45] **Date of Patent: **Aug. 18, 1998**

[54] **HAND MIXER**

D. 234,742 4/1975 Stut D7/379
2,804,288 8/1957 O'Russa 366/199

[75] **Inventor: Thomas Lallemand, Paris, France**

[73] **Assignee: SEB, Selongey, France**

[**] **Term: 14 Years**

Primary Examiner—Caron D. Veynar
Attorney, Agent, or Firm—Pillsbury Madison & Sutro

[21] **Appl. No.: 75,886**

[22] **Filed: Jul. 17, 1997**

[57] **CLAIM**

The ornamental design for a hand mixer, as shown.

[30] **Foreign Application Priority Data**

DESCRIPTION

Feb. 14, 1997 [FR] France 97 0943

FIG. 1 is a front elevational view of a hand mixer showing my new design;

[51] **LOC (6) Cl. 31-00**

FIG. 2 is a rear elevational view thereof;

[52] **U.S. Cl. D7/379**

FIG. 3 is a left side elevational view thereof;

[58] **Field of Search D7/376-386, 412;
366/129, 130, 197, 199, 204, 205, 314**

FIG. 4 is a right side elevational view thereof;

FIG. 5 is a top plan view thereof;

FIG. 6 is a bottom plan view thereof; and,

FIG. 7 is a perspective view thereof.

[56] **References Cited**

U.S. PATENT DOCUMENTS

D. 178,543 8/1956 Seyfried et al. D7/379

1 Claim, 4 Drawing Sheets

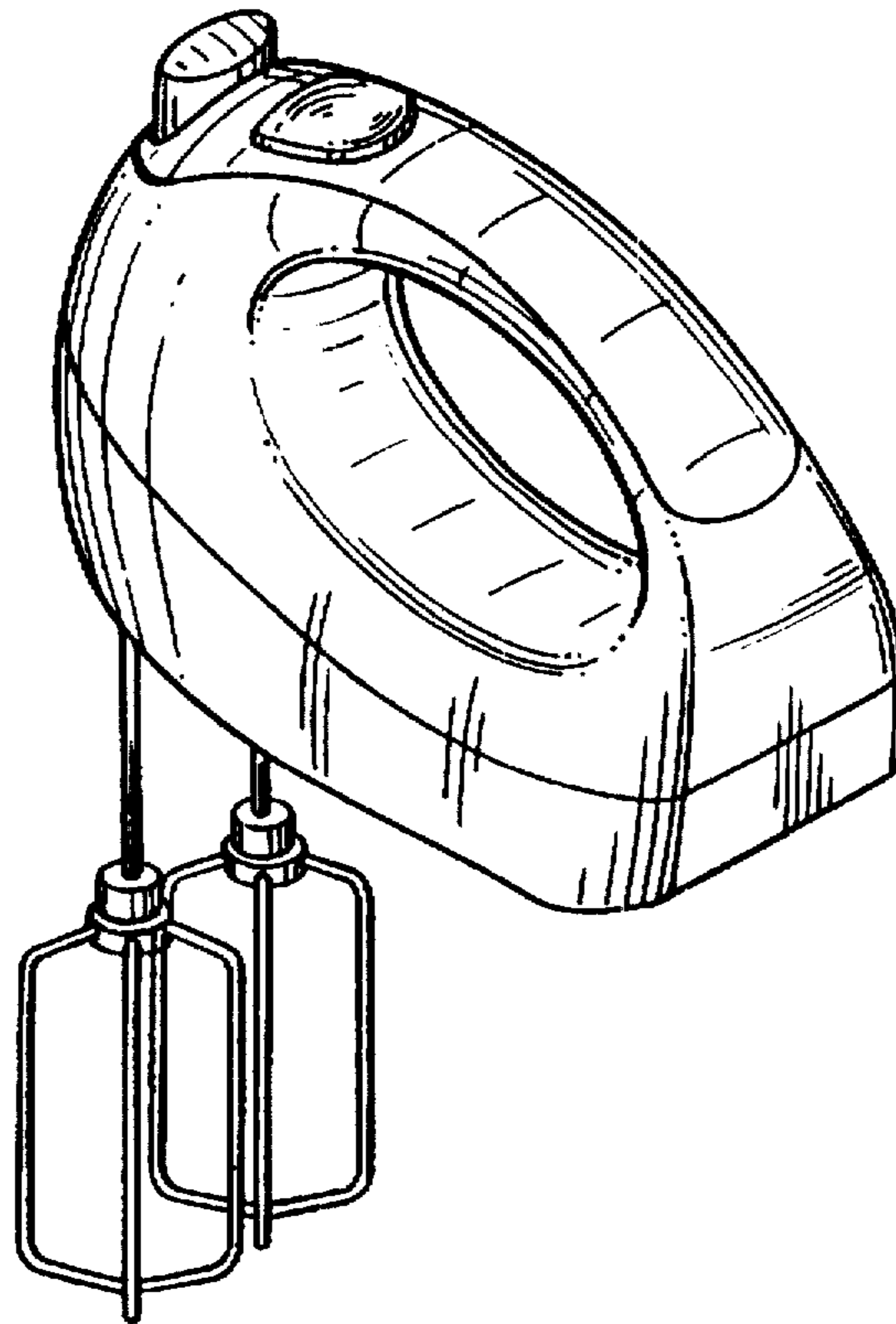


FIG. 1

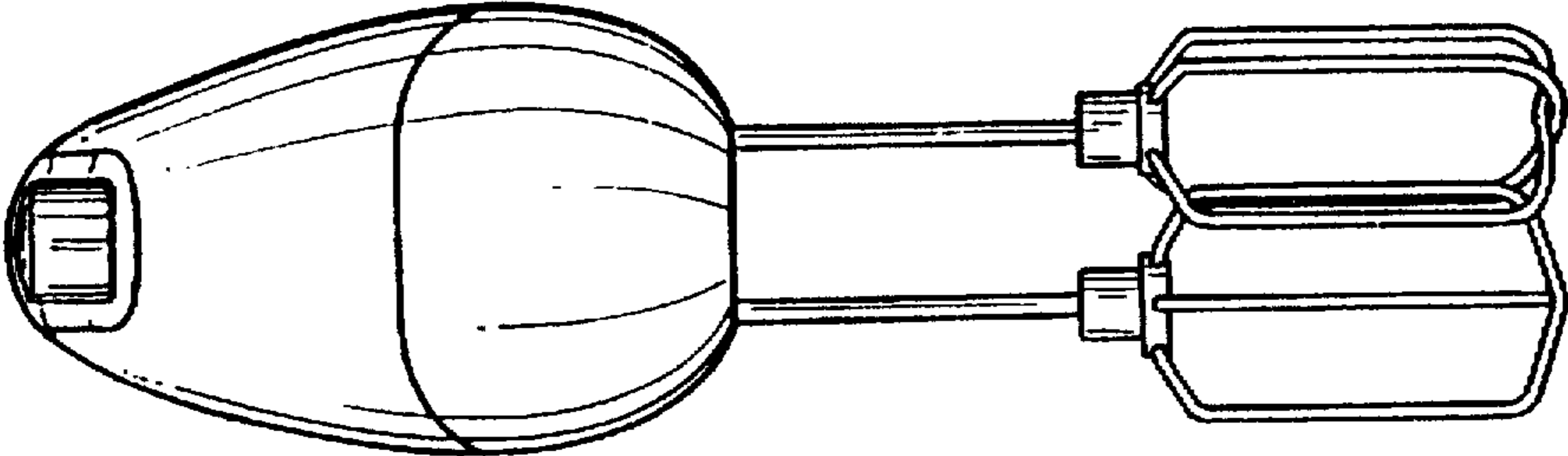


FIG. 2

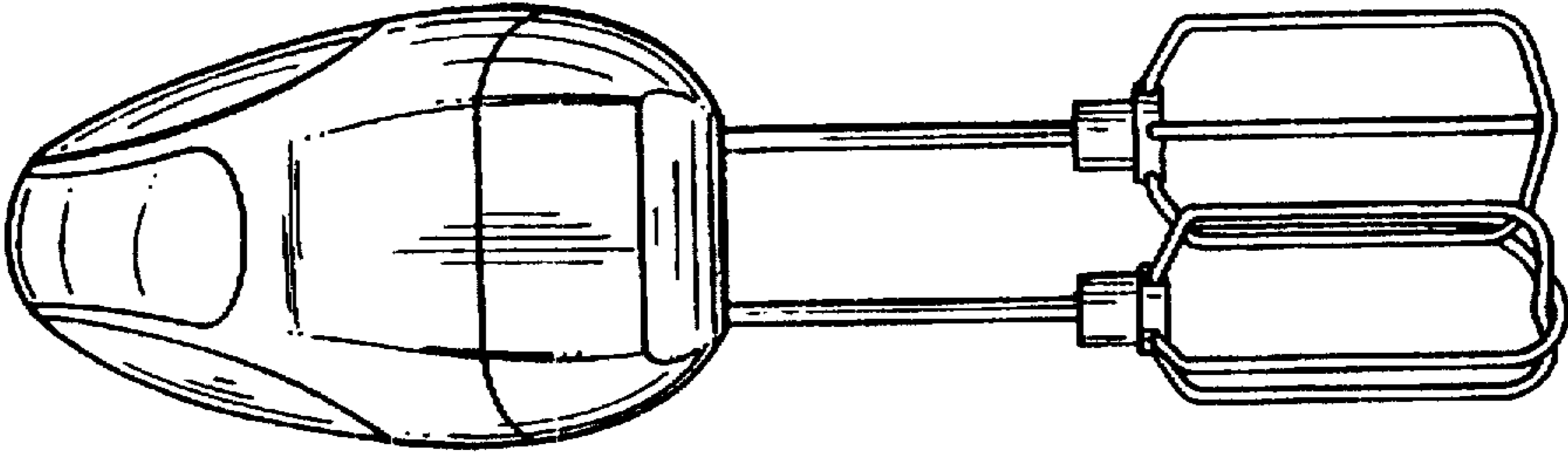


FIG. 3

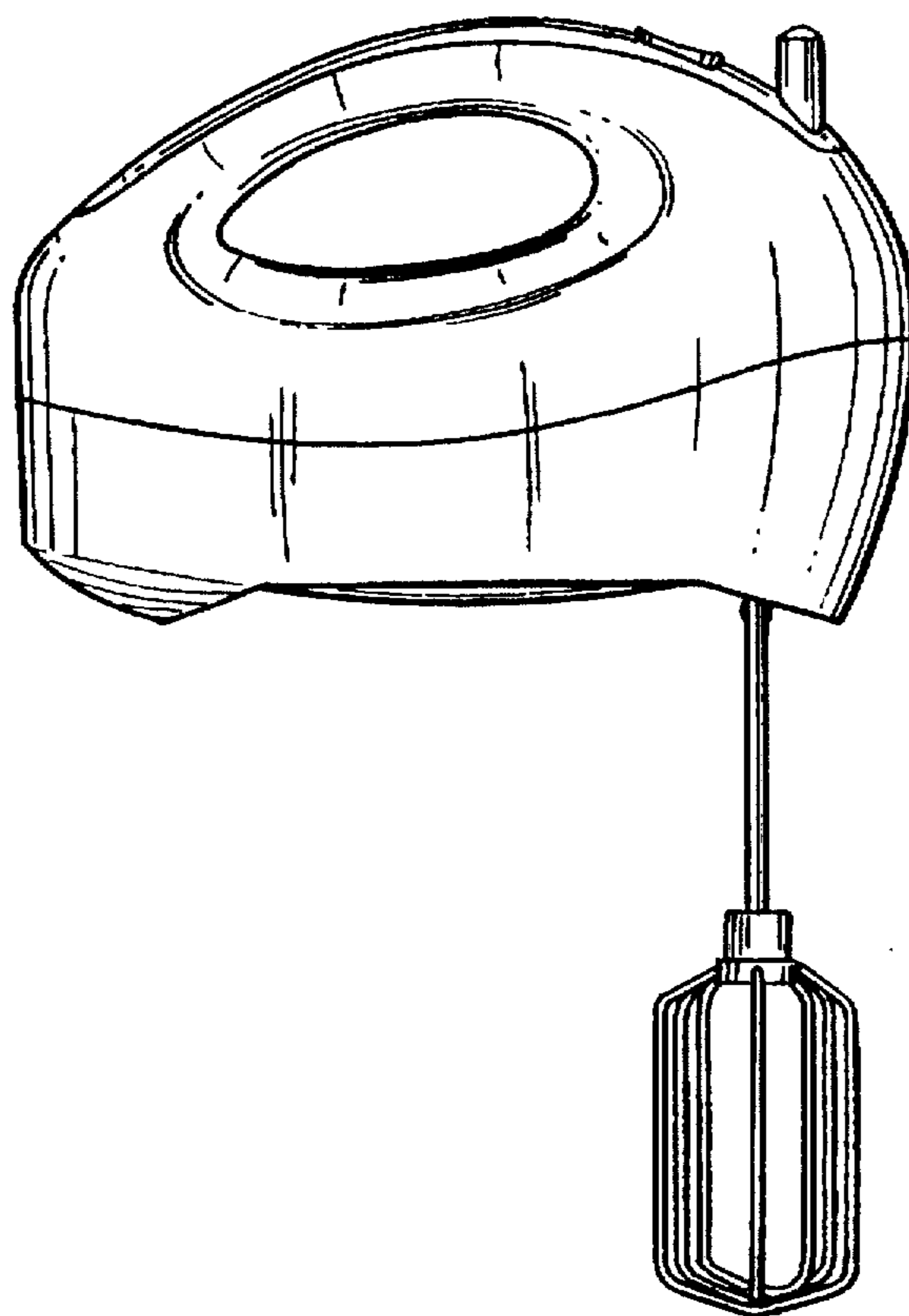


FIG. 4

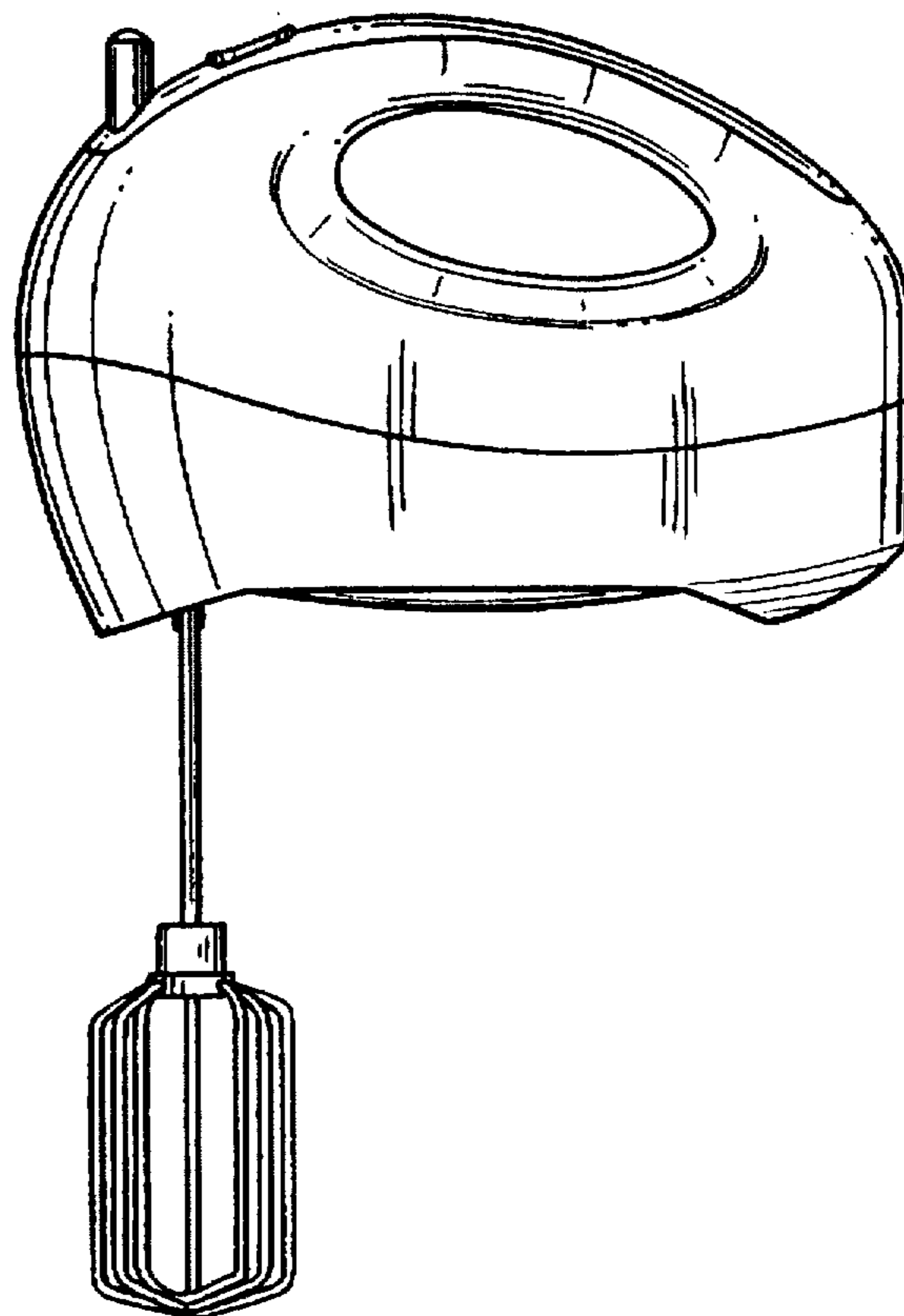


FIG. 5

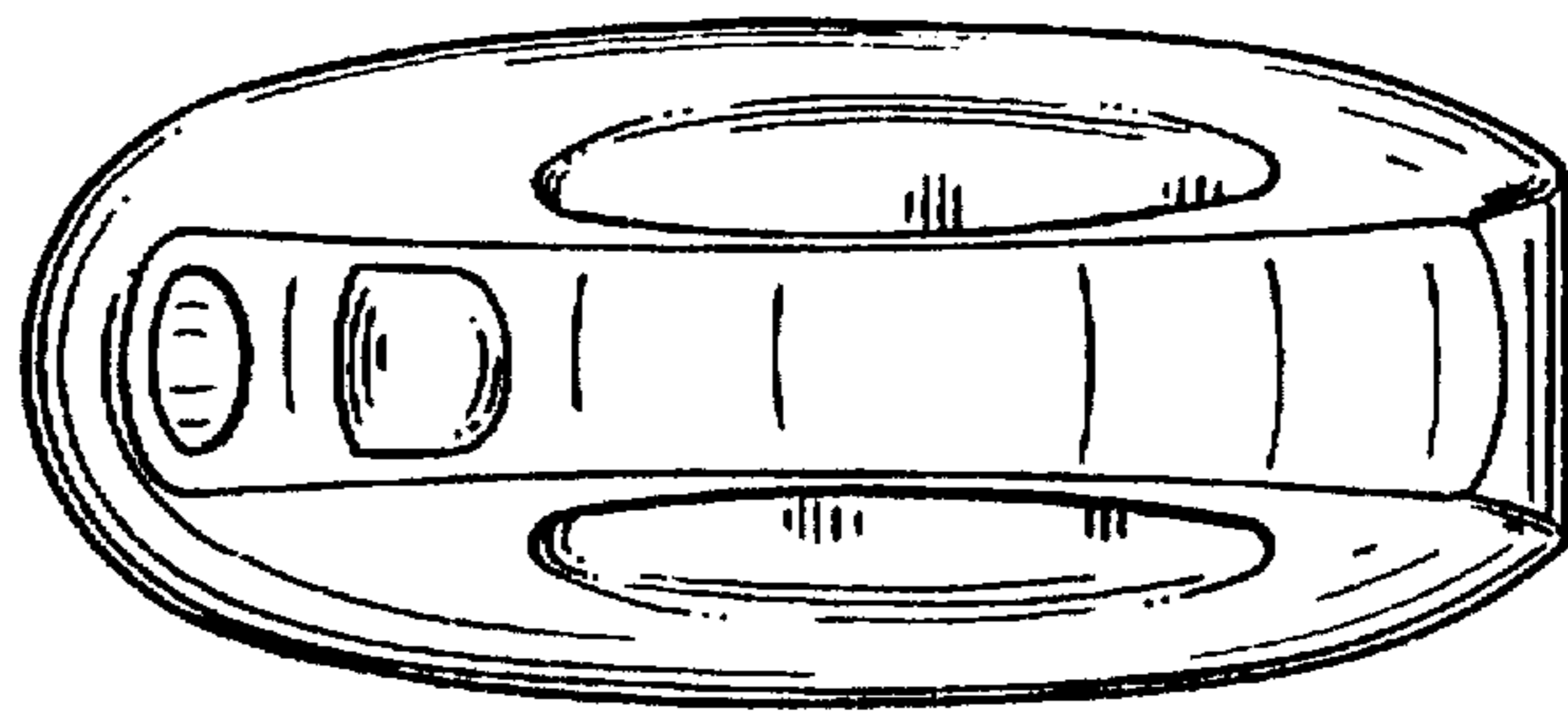


FIG. 6

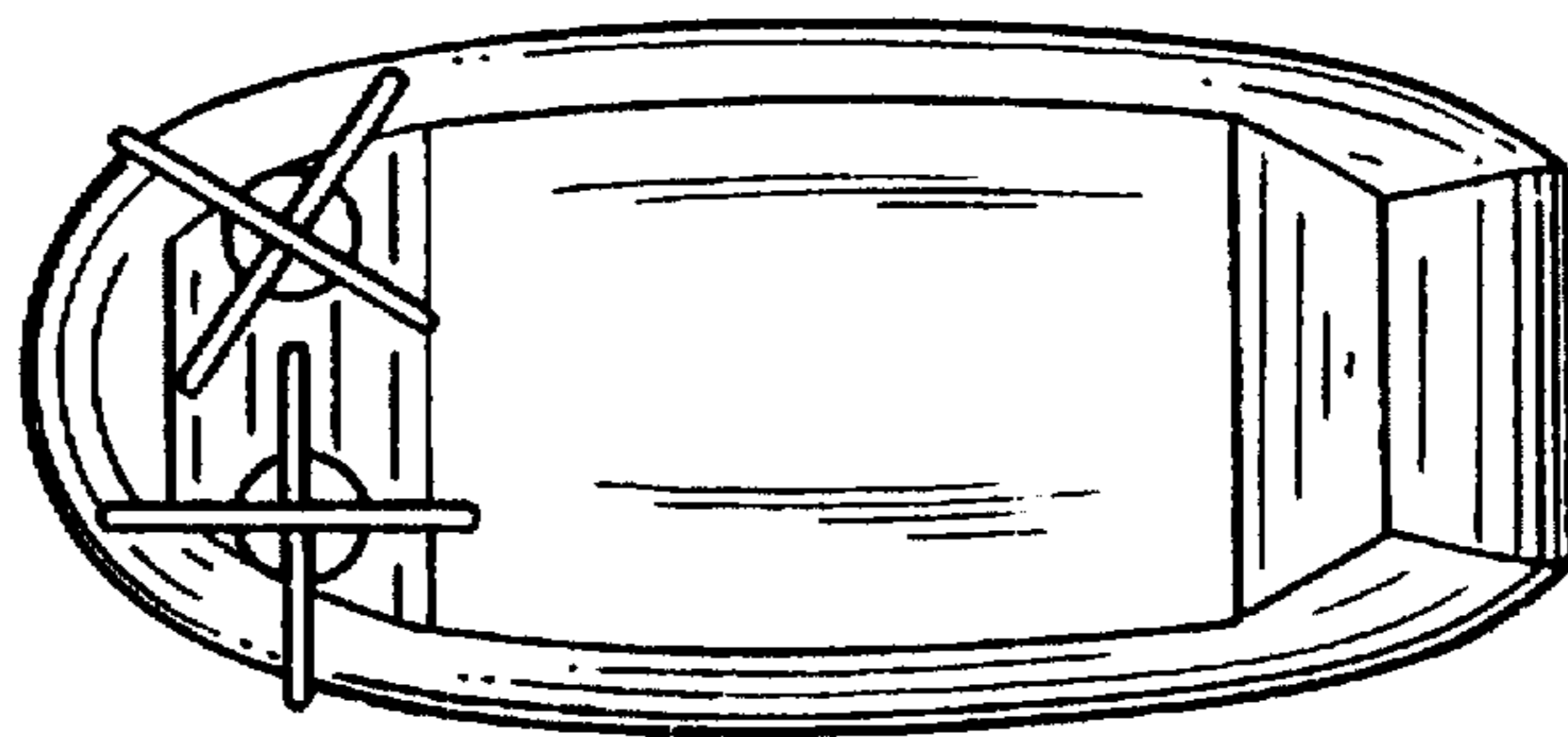


FIG. 7

