

US00D396989S

# United States Patent [19]

Deo et al.

[11] Patent Number: Des. 396,989

[45] Date of Patent: \*\*Aug. 18, 1998

[54] **COOKTOP**

[75] Inventors: **Subhash R. Deo**, Hendersonville;  
**James E. Pryor**, Clarksville; **Kurt F. Hafeken, Sr.**, Greenbrier, all of Tenn.

[73] Assignee: **White Consolidated Industries, Inc.**,  
Cleveland, Ohio

[\*\*] Term: **14 Years**

[21] Appl. No.: **65,096**

[22] Filed: **Jan. 21, 1997**

[51] LOC (6) Cl. .... **07-02**

[52] U.S. Cl. .... **D7/346**

[58] Field of Search ..... D7/340, 346, 407,  
D7/408; 219/443, 446, 478, 464, 466, 480;  
126/39 H, 39 J, 214 R

[56] **References Cited**

**U.S. PATENT DOCUMENTS**

D. 98,411	1/1936	Tjaarda .	
D. 108,439	2/1938	Hamilton .	
D. 165,742	1/1952	Culver, Jr. .	
D. 267,770	2/1983	Fischer .....	D7/346
D. 277,448	2/1985	Vetter et al. ....	D7/346
D. 277,449	2/1985	Vetter et al. ....	D7/346
D. 312,748	12/1990	Jung et al. ....	D7/367
D. 349,004	7/1994	Ivanovich .....	D7/340
D. 375,867	11/1996	Sparks .....	D7/340
1,416,478	5/1922	Lamb .	
4,158,127	6/1979	Husslein .	
4,286,143	8/1981	Tadewald .	
4,371,780	2/1983	Gossler et al. .	
4,476,946	10/1984	Smith .....	D7/407

4,482,800	11/1984	Schweig .	
4,493,979	1/1985	Bredel et al. .	
5,261,387	11/1993	Gressenich .....	126/39 H
5,357,079	10/1994	Henry et al. ....	126/211
5,400,765	3/1995	Goldstein et al. ....	126/39 J

**FOREIGN PATENT DOCUMENTS**

2 665 243	7/1990	France .
429395	5/1935	United Kingdom .

**OTHER PUBLICATIONS**

Thermador Electric Cooktops, Dec., 1995, Form #ECKTPB, pp. 1-9 All.

*Primary Examiner*—Ruth McInroy  
*Attorney, Agent, or Firm*—Pearne, Gordon, McCoy and Granger LLP

[57] **CLAIM**

The ornamental design for a cooktop, as shown and described.

**DESCRIPTION**

FIG. 1 is a top plan view of a cooktop disposed on a substrate, showing our new design;

FIG. 2 is a side elevational view of the cooktop shown in FIG. 1; and

FIG. 3 is a perspective view of the cooktop of FIGS. 1-2 incorporated into a range, the range being shown in phantom for illustrative purposes only and forms no part of the claimed design.

The broken lines in FIGS. 1-3 are shown for illustrative purposes only and form no part of the claimed design.

**1 Claim, 2 Drawing Sheets**

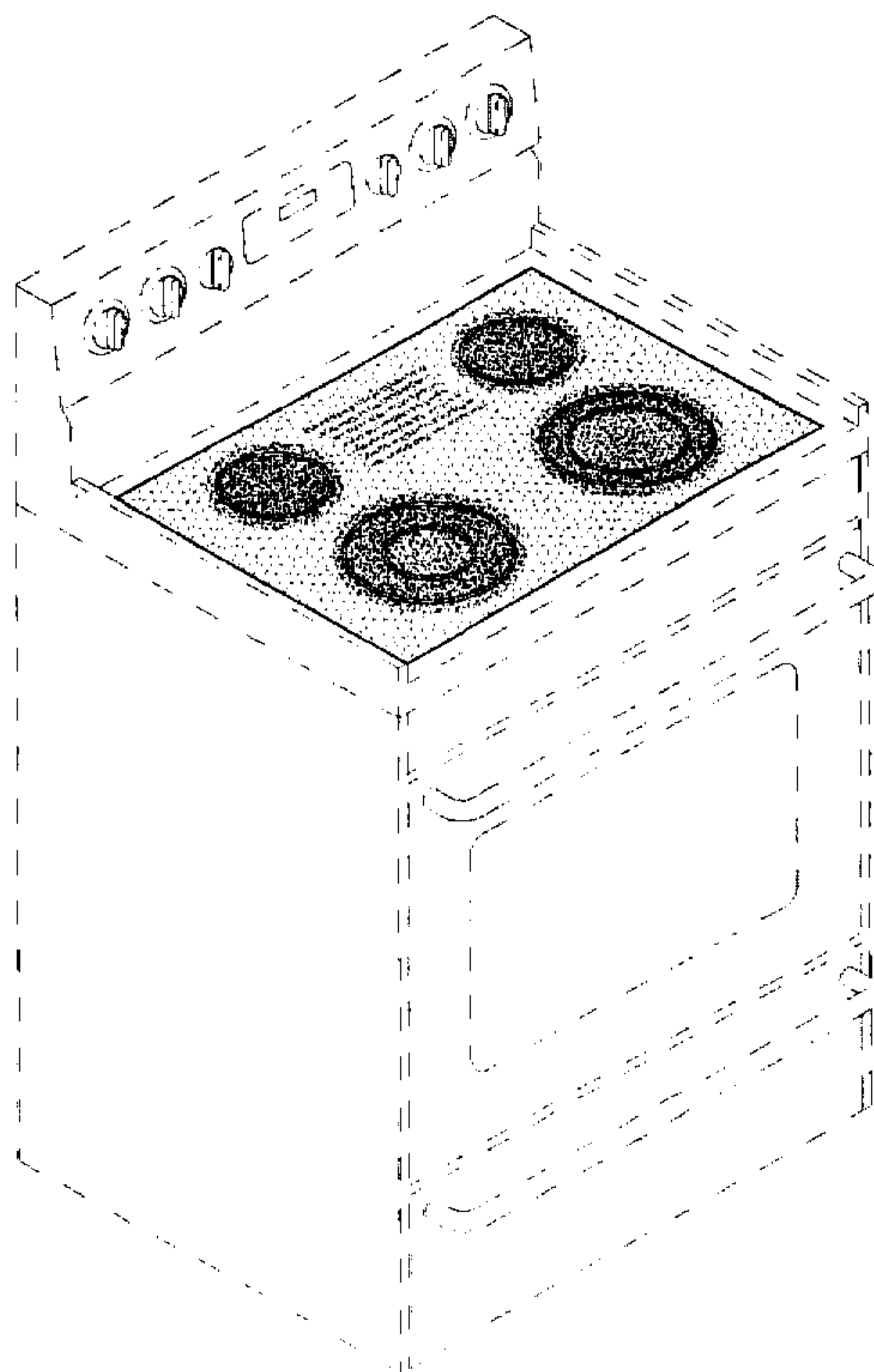




Fig. 1

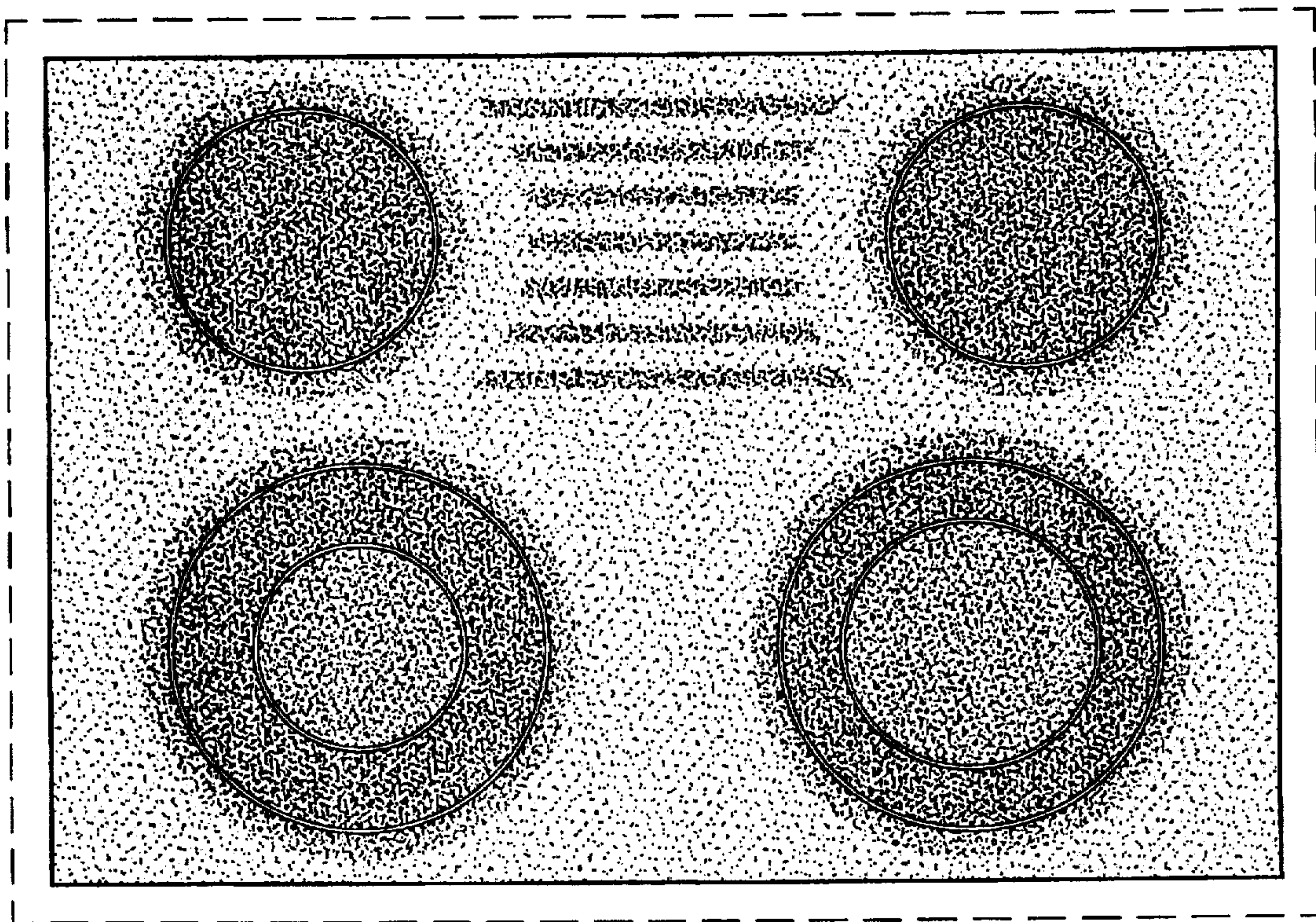


Fig. 2



Fig.3

