



US00D396987S

United States Patent [19]
Seiffert

[11] **Patent Number: Des. 396,987**
[45] **Date of Patent: **Aug. 18, 1998**

[54] **ESPRESSO MAKER**

[75] **Inventor: Florian Seiffert, Weisbaden, Germany**

[73] **Assignee: Robert Krups GmbH & Co. KG,
Solingen, Germany**

[**] **Term: 14 Years**

[21] **Appl. No.: 53,291**

[22] **Filed: Apr. 18, 1996**

[30] **Foreign Application Priority Data**

Oct. 18, 1995 [FR] France 95 5614

[51] **LOC (6) Cl. 07-01**

[52] **U.S. Cl. D7/309; D7/311**

[58] **Field of Search D7/300, 309, 310,
D7/311, 305; 99/279, 280**

[56] **References Cited**

U.S. PATENT DOCUMENTS

- D. 295,486 5/1988 Eugster et al. D7/312 X
- D. 318,973 8/1991 Hasslacher D7/308
- D. 336,206 6/1993 Littmann D7/309

- D. 337,475 7/1993 Seiffert D7/309
- D. 339,499 9/1993 Seiffert D7/309
- D. 342,860 1/1994 Azpiri D7/311 X
- D. 345,279 3/1994 Sieger D7/310 X
- D. 354,193 1/1995 Storsberg D7/309
- D. 360,802 8/1995 Seiffert D7/310 X
- D. 377,018 7/1993 Grover et al. D7/305
- 4,644,856 2/1987 Borgmann D7/309 X

Primary Examiner—M. N. Pandozzi
Attorney, Agent, or Firm—Darby & Darby

[57] **CLAIM**

The ornamental design for an espresso maker, as shown.

DESCRIPTION

FIG. 1 is a perspective view of a preferred embodiment of the espresso maker;
FIG. 2 is a front elevational view thereof;
FIG. 3 is a right side elevational view thereof;
FIG. 4 is a left side elevational view thereof;
FIG. 5 is a back elevational view thereof;
FIG. 6 is a top plan view thereof; and,
FIG. 7 is a bottom plan view thereof.

1 Claim, 7 Drawing Sheets

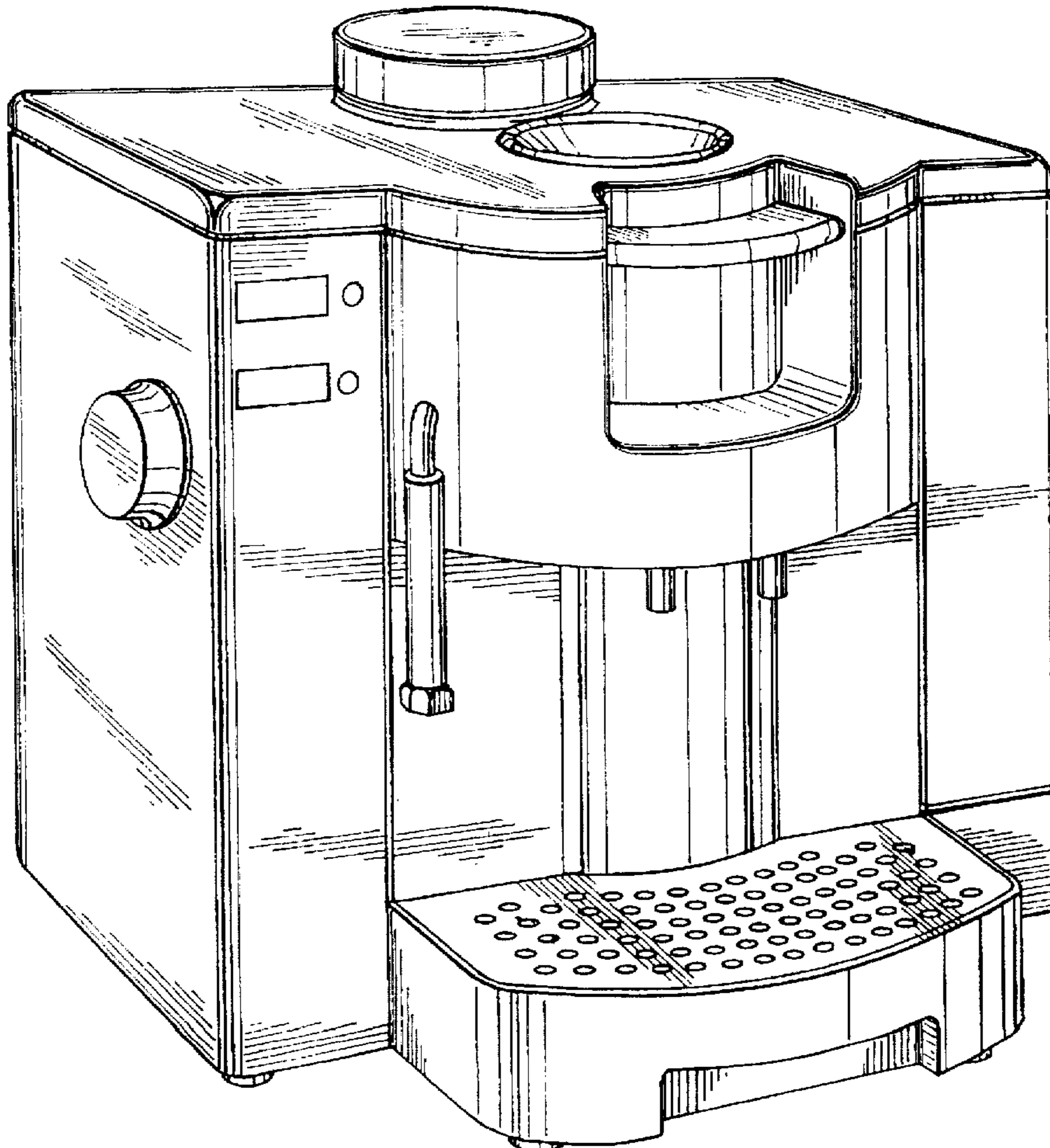


FIG. 1

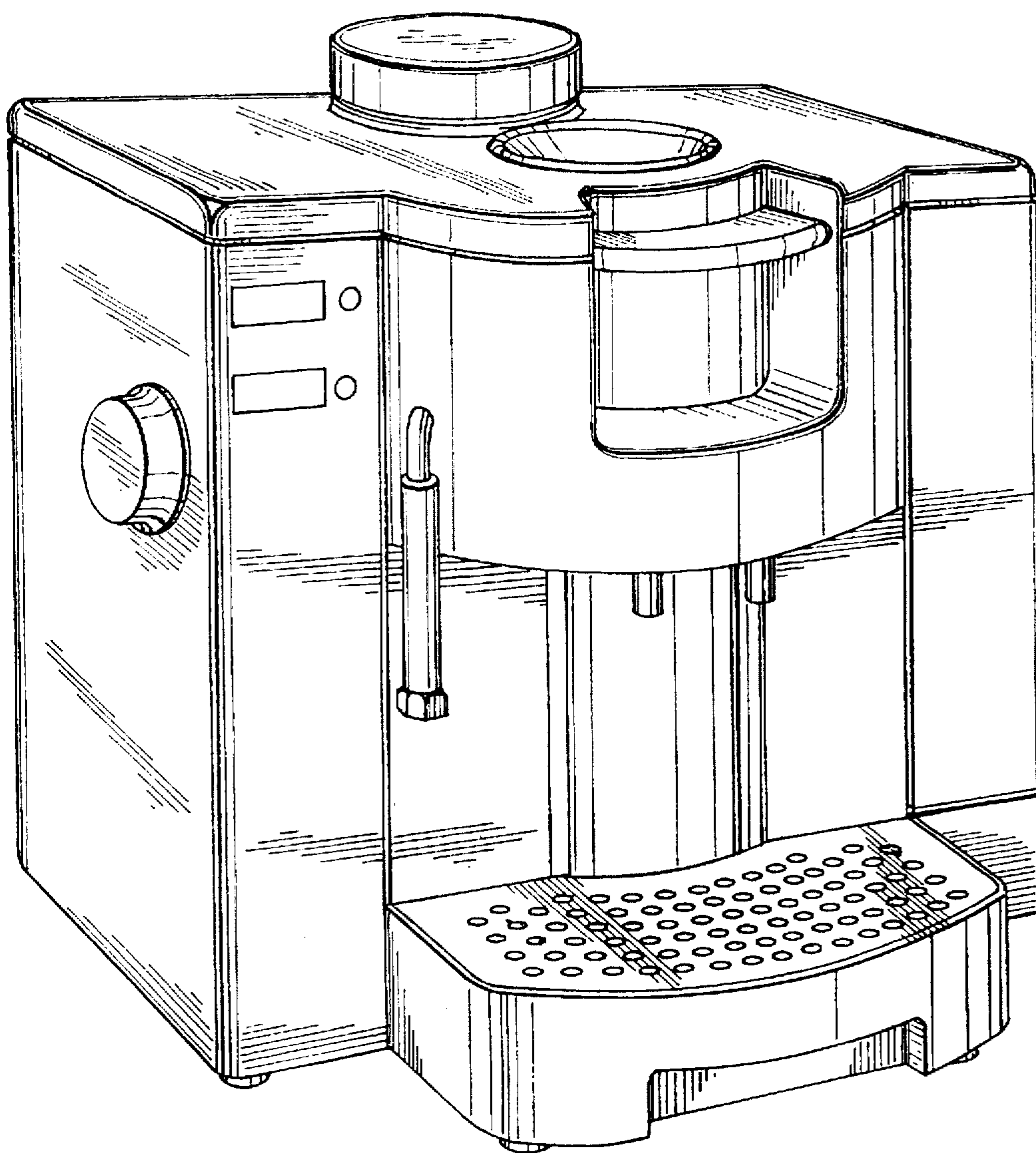


FIG. 2

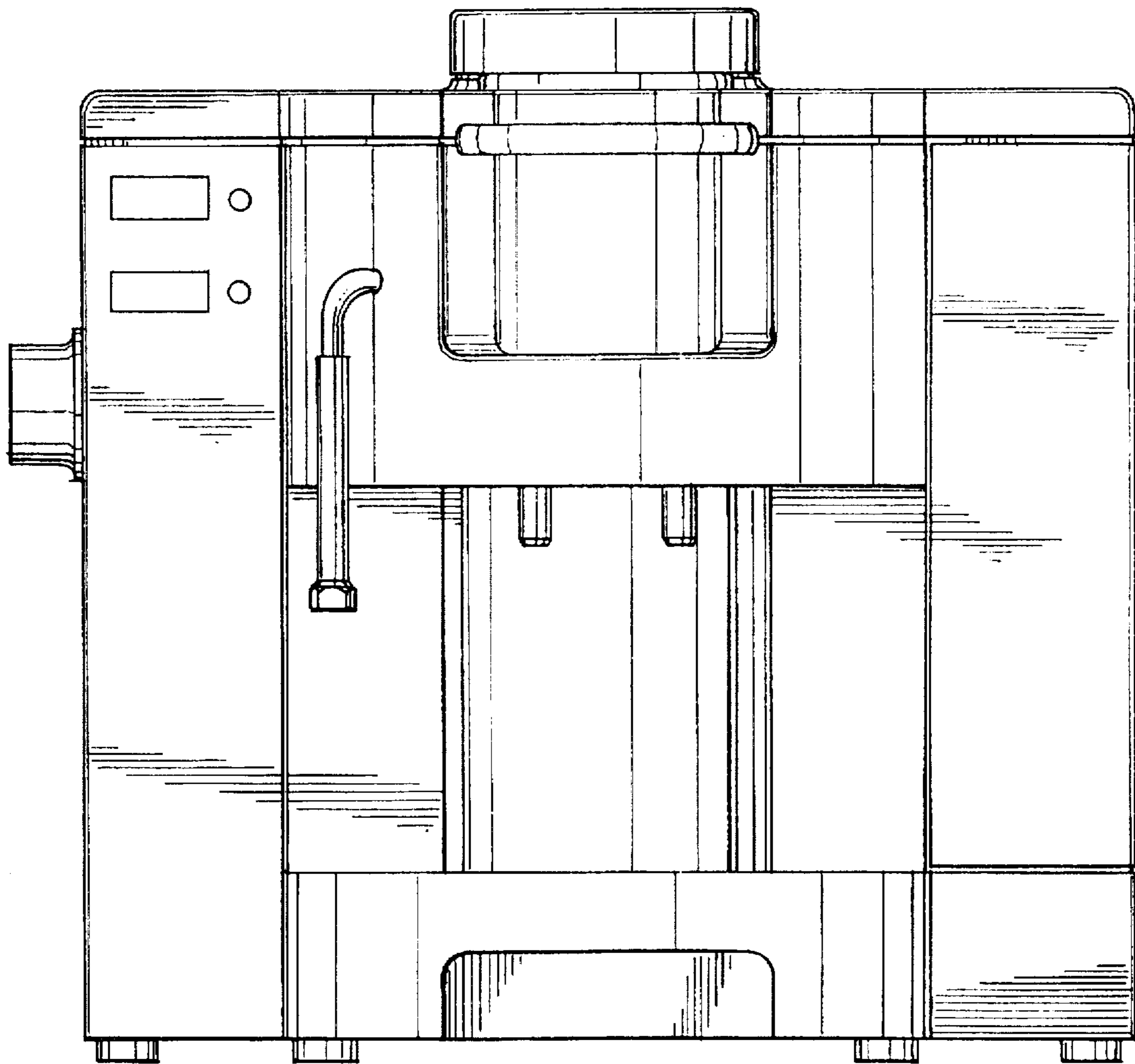


FIG. 3

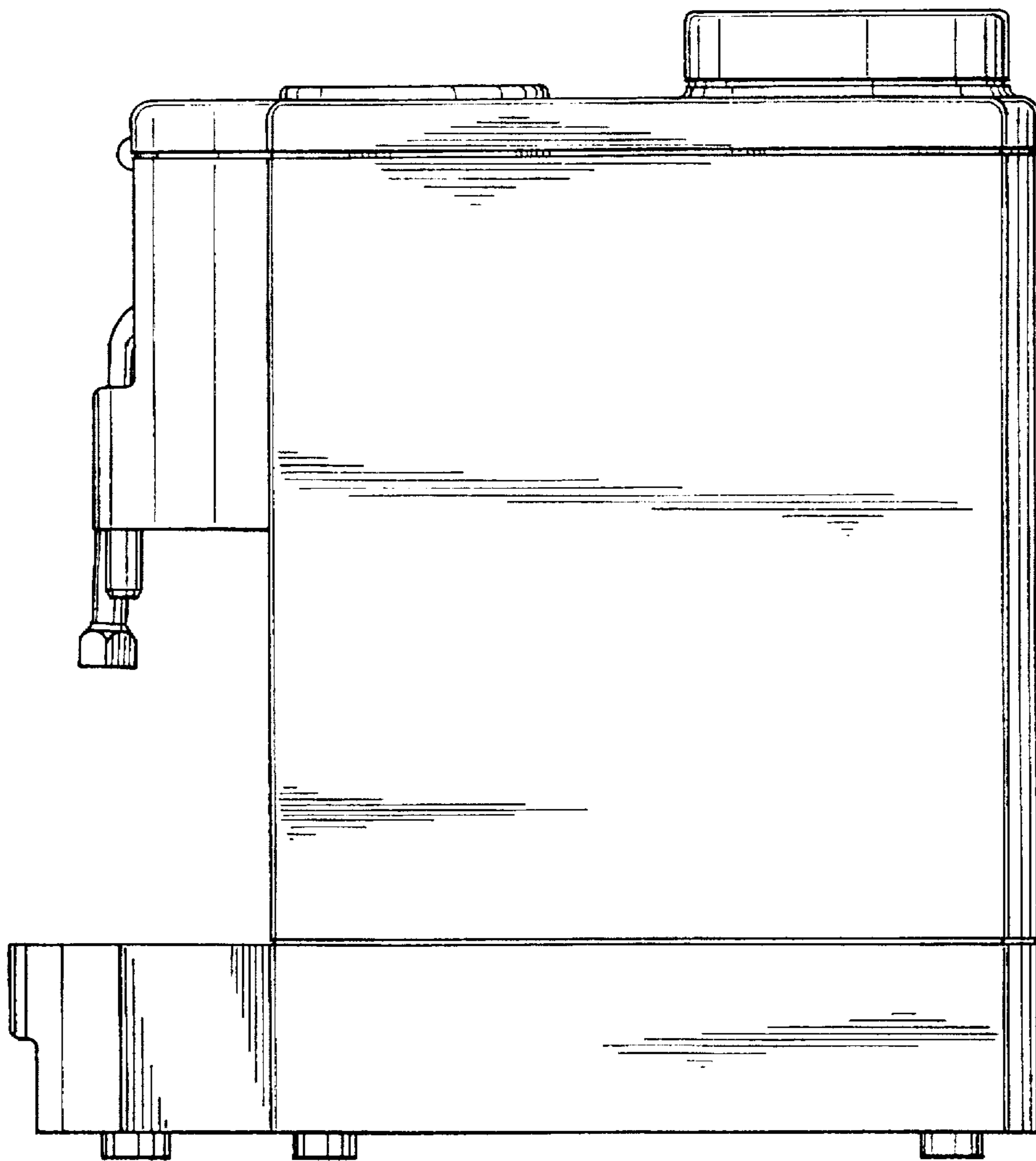


FIG. 4

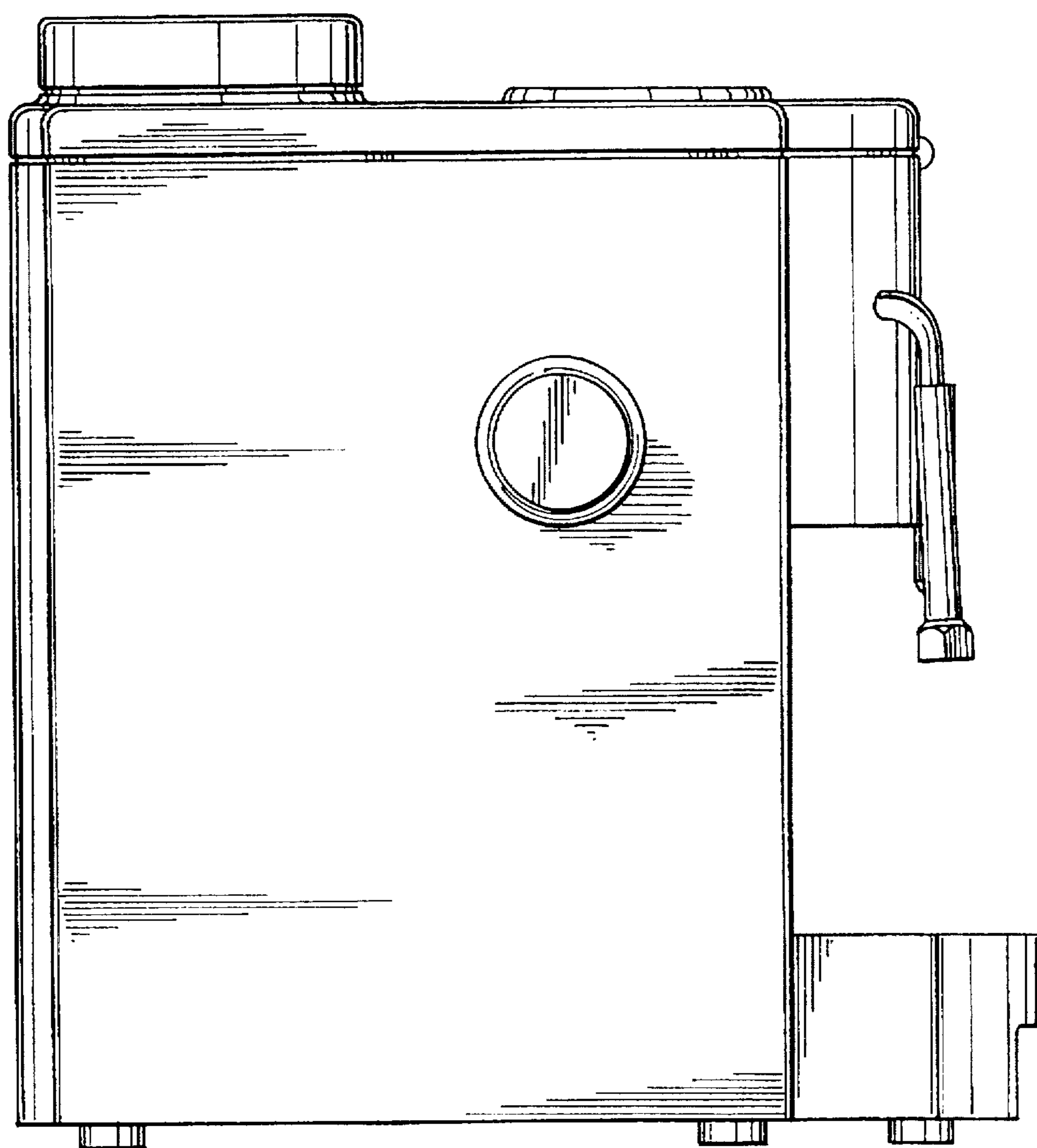


FIG. 5

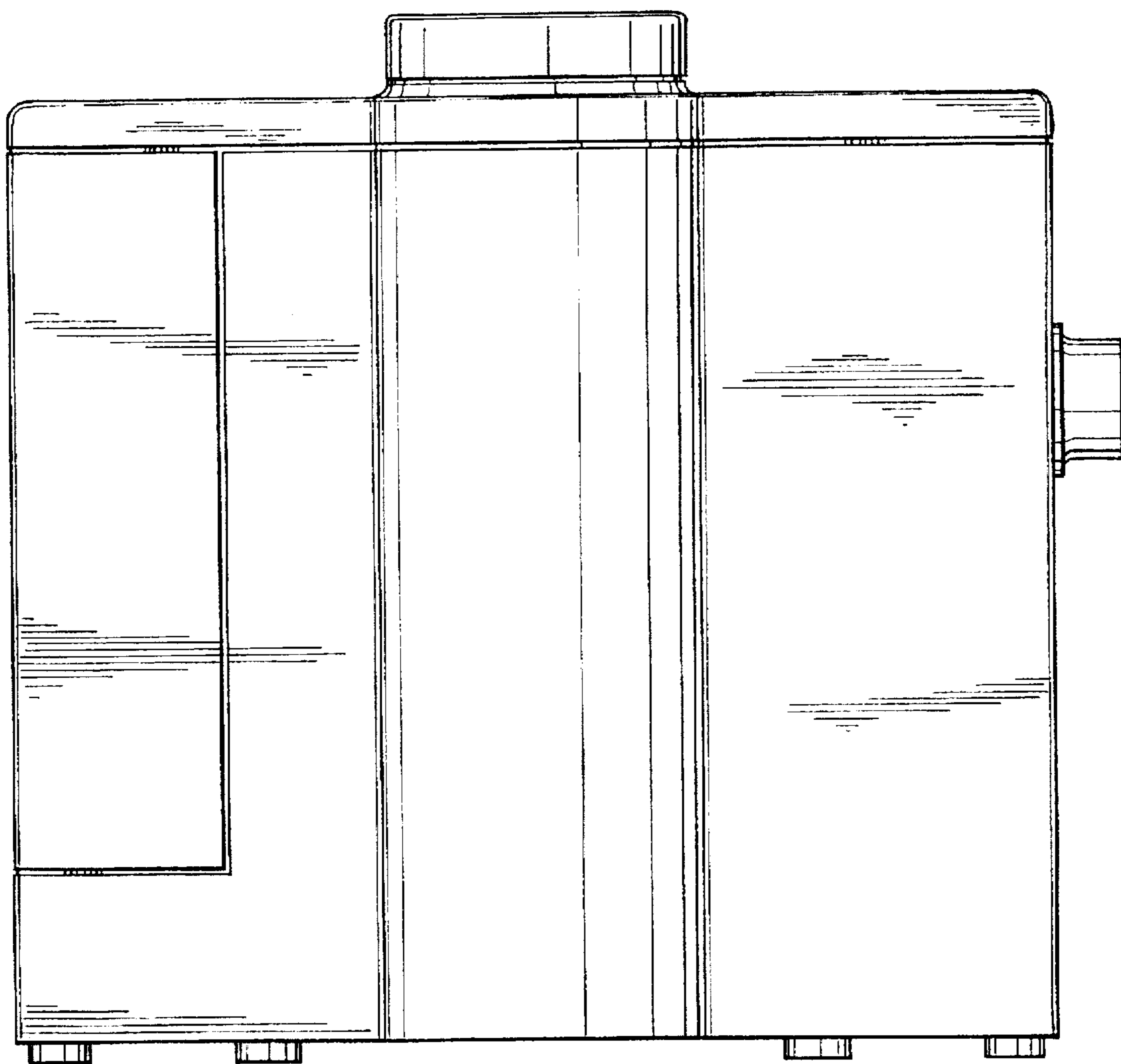


FIG. 6

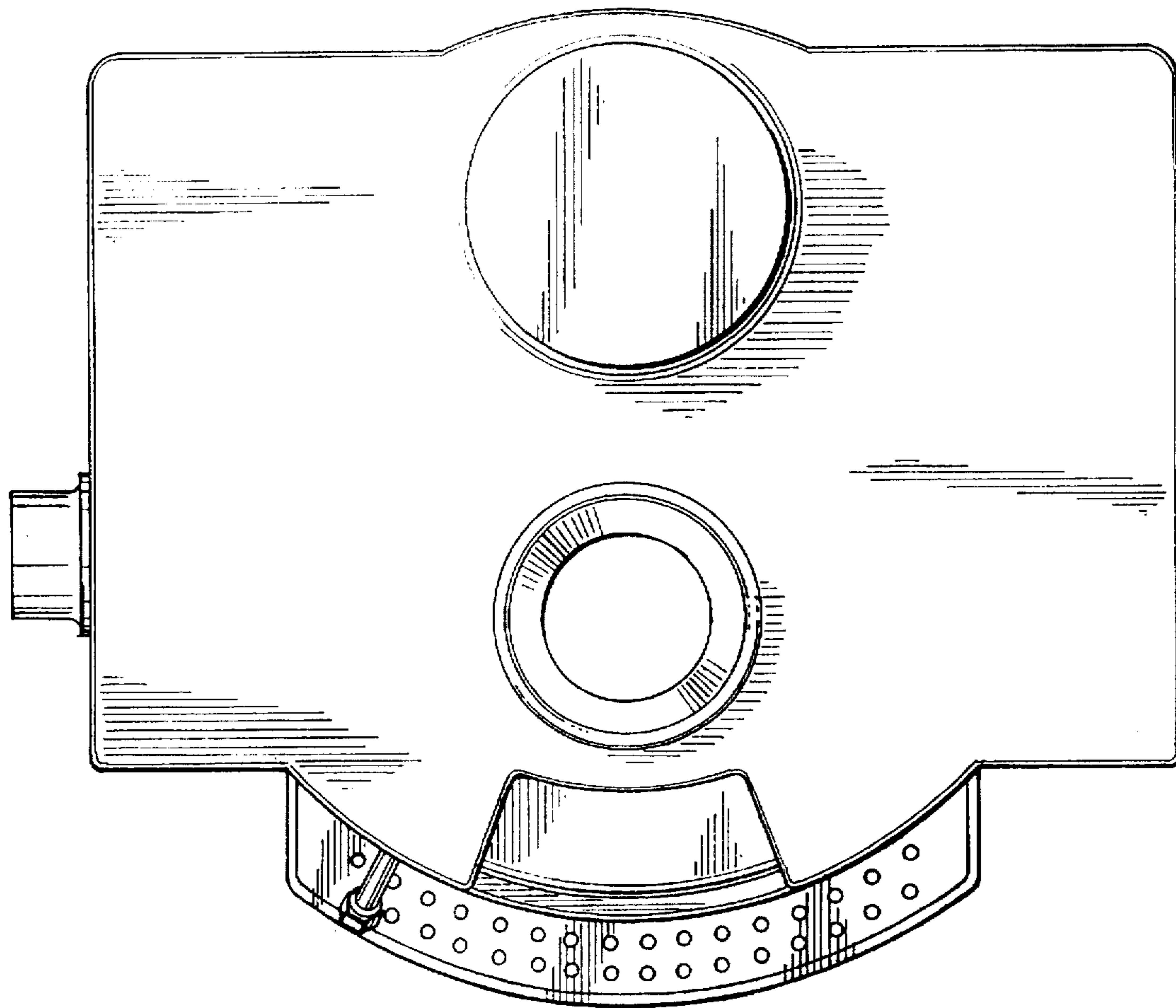


FIG. 7

