



US00D396983S

United States Patent [19]
Taylor

[11] **Patent Number: Des. 396,983**
[45] **Date of Patent: **Aug. 18, 1998**

[54] **T-SHIRT CONFIGURED CAR SEAT COVER WITH MAGAZINE HOLDER**

[76] **Inventor: Joan Senica Taylor, P. O. Box 321, Railroad Flat, Calif. 95248**

[**] **Term: 14 Years**

[21] **Appl. No.: 74,078**

[22] **Filed: Jul. 28, 1997**

[51] **LOC (6) Cl. 06-13**

[52] **U.S. Cl. D6/611; D2/716; D12/416**

[58] **Field of Search D12/416; D6/513, D6/514, 553, 556, 559, 611; 224/42.11, 42.46, 275-277; 296/37.15; 297/191, 188.18; D2/716, 717, 840; 2/237, 113**

[56] **References Cited**

U.S. PATENT DOCUMENTS

D. 213,364	2/1969	Roberts	D12/416
D. 310,314	9/1990	Caron	D6/611
D. 312,349	11/1990	Pogue	D6/553 X
D. 324,953	3/1992	Swanner	D6/553 X
D. 346,900	5/1994	Gill	D12/416
D. 360,798	8/1995	Hall	D6/611
D. 368,353	4/1996	McCrudden	D2/841
D. 371,108	6/1996	Baker	D12/416
D. 373,673	9/1996	Colling	D2/717
D. 379,452	5/1997	Russell et al.	D12/416

Primary Examiner—James Gandy
Assistant Examiner—Stacia Sinuik

Attorney, Agent, or Firm—Mark C. Jacobs, Esq.

[57] **CLAIM**

The ornamental design for T-shirt configured car seat cover with magazine holder, as shown and described.

DESCRIPTION

FIG. 1 is a front elevational view of the first embodiment of the T-shirt configured car seat cover with magazine holder; FIG. 2 is a left side elevational view of both embodiments of the seat cover of this design. The right side is a mirror image thereof;

FIG. 3 is a rear elevational view of the first embodiment of this design;

FIG. 4 is a top perspective view of the first embodiment with the zipper closed;

FIG. 5 is a view similar to FIG. 4 but with the zipper open;

FIG. 6 is a right rear perspective view of the first embodiment, of this design disposed upon a car seat;

FIG. 7 is a right rear perspective view of the second embodiment of this design, done in non net fabric, disposed upon a car seat; and,

FIG. 8 is a view similar to FIG. 4, depicting the second embodiment done in non-net fabric.

The front of the second embodiment is the same as that of the first embodiment shown in FIG. 1.

"The broken line showing of environment in FIGS. 1, 6 and 7 is for illustrative purposes only and forms no part of the claimed design".

"The crisscross shading of the pocket in FIGS. 3, 4, 5 and 6 is representative of net fabric".

1 Claim, 4 Drawing Sheets

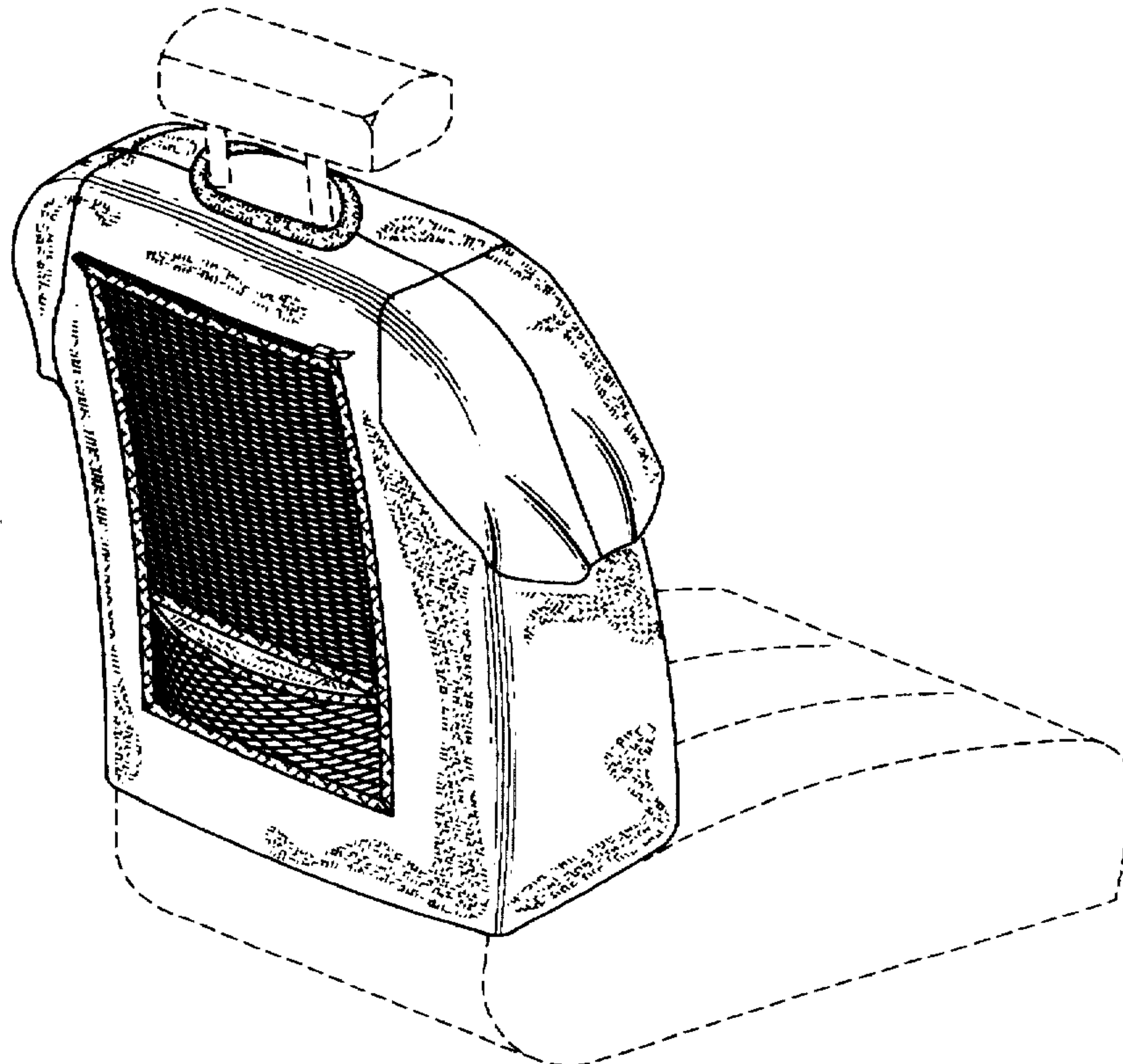




Fig. 1

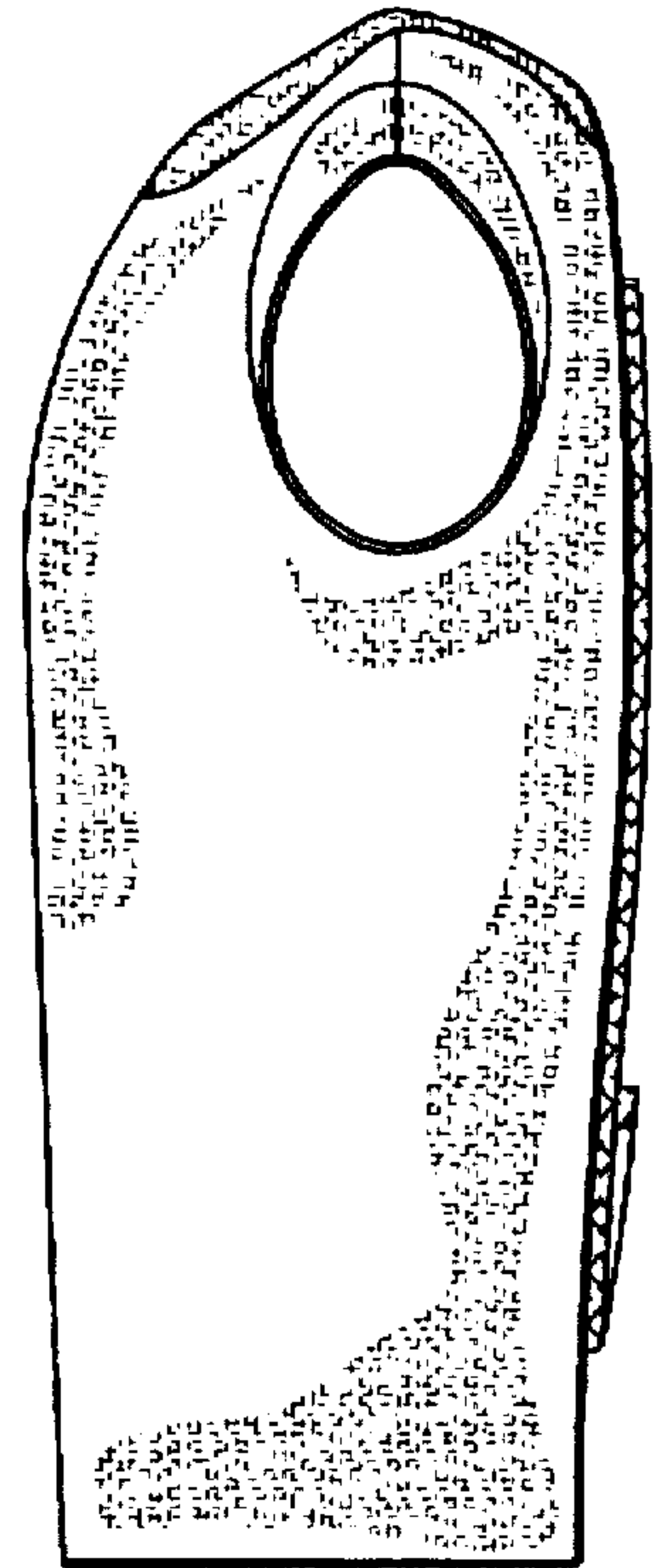


Fig. 2

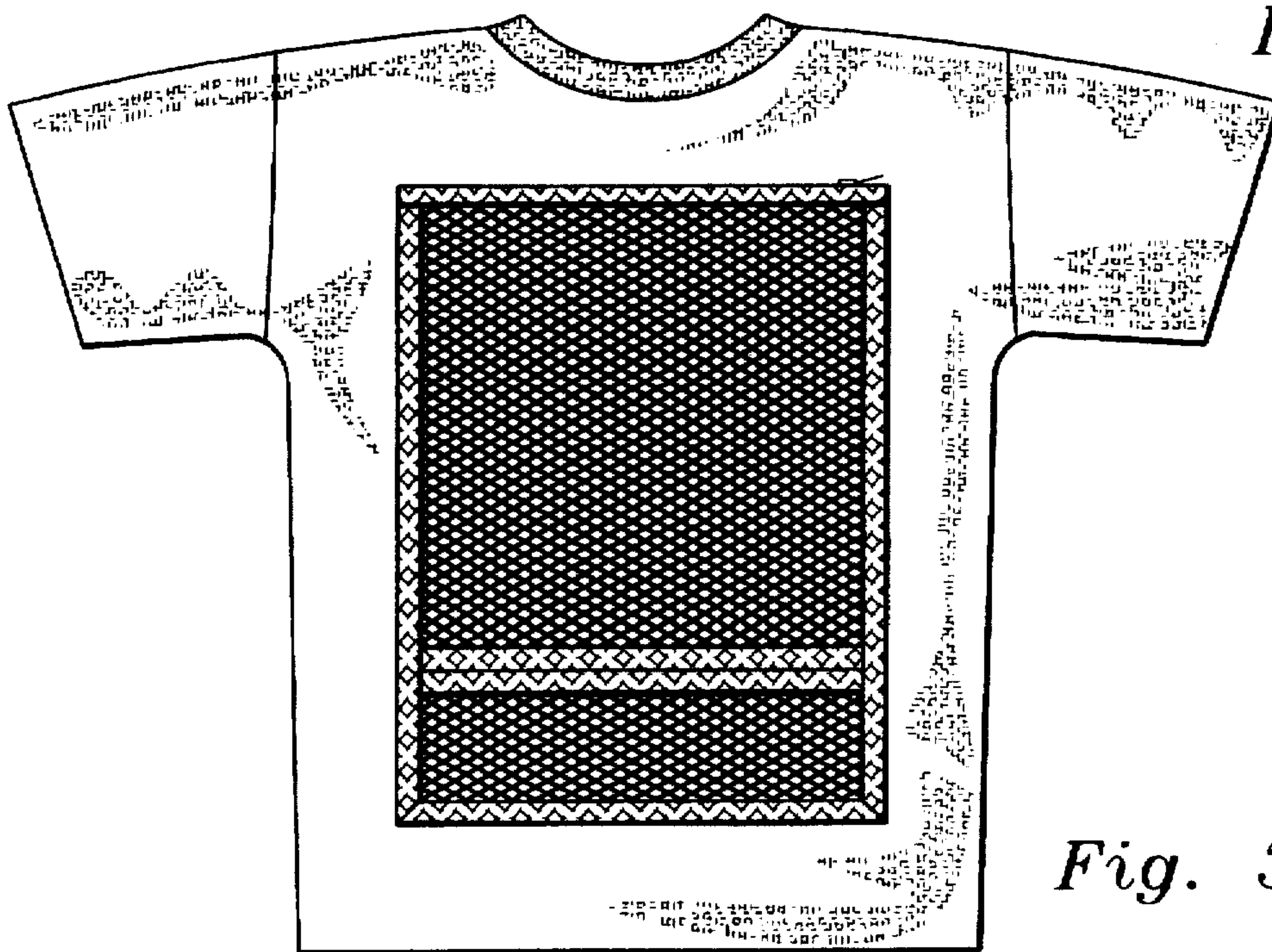


Fig. 3

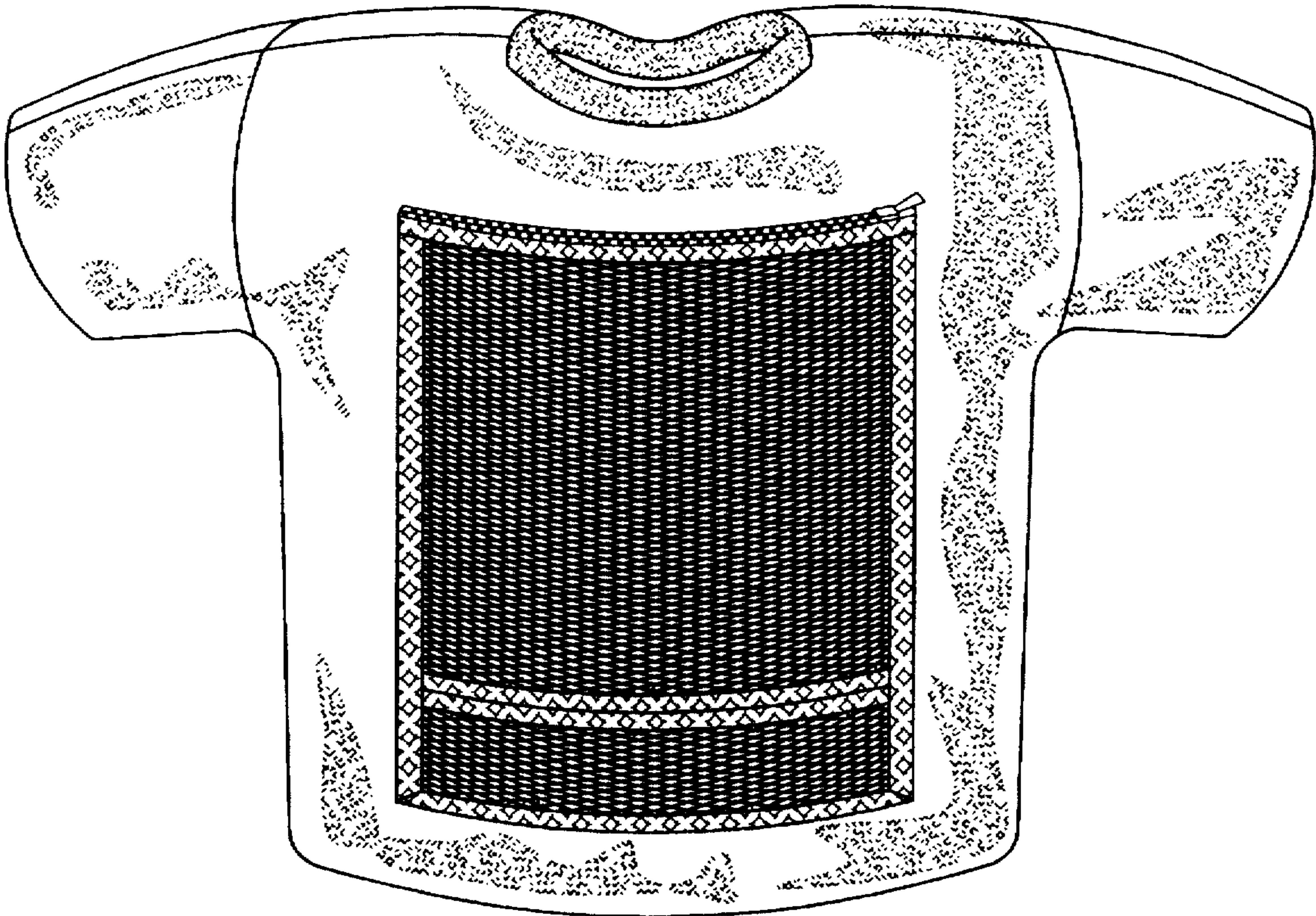


Fig. 4

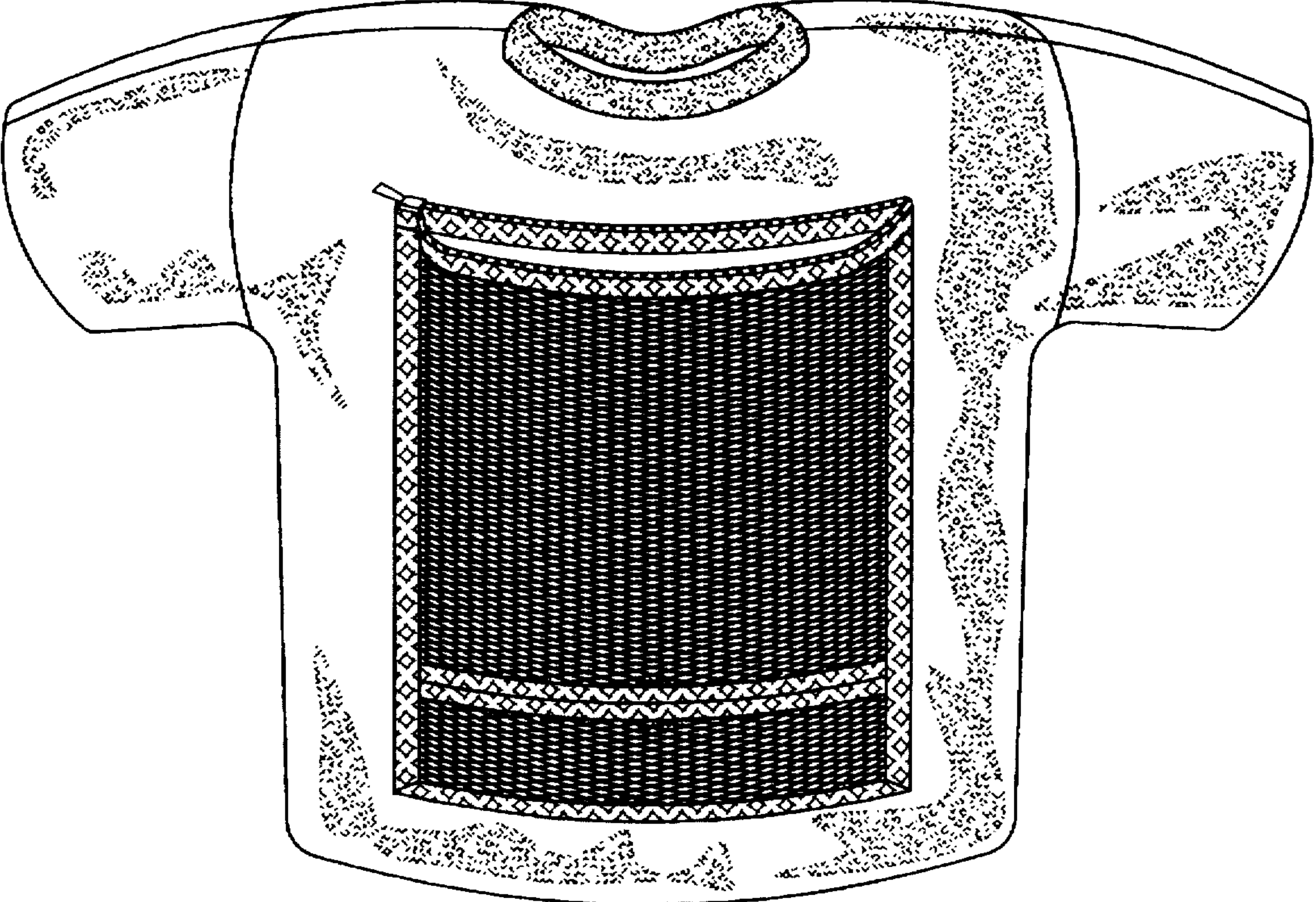


Fig. 5

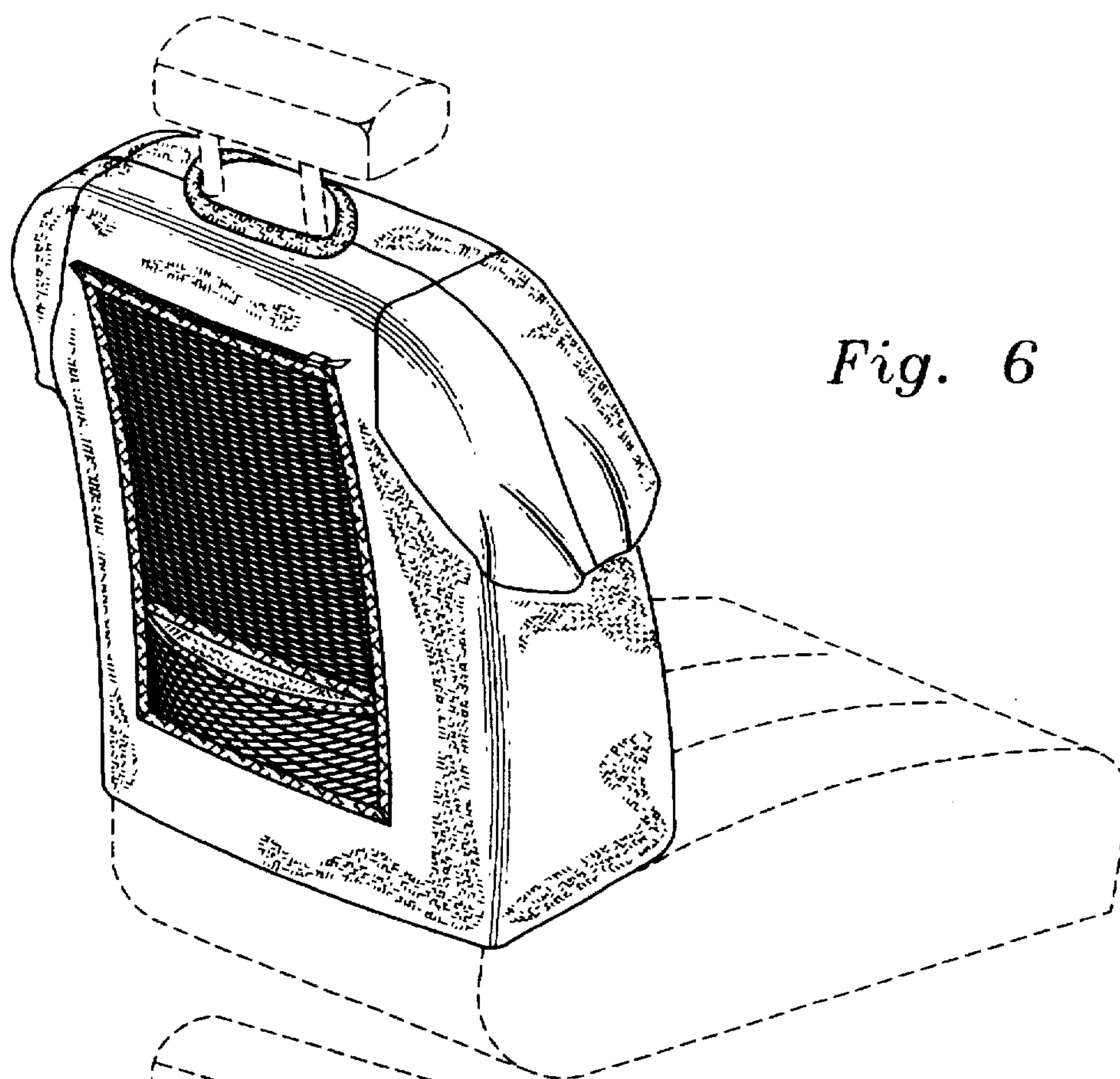


Fig. 6

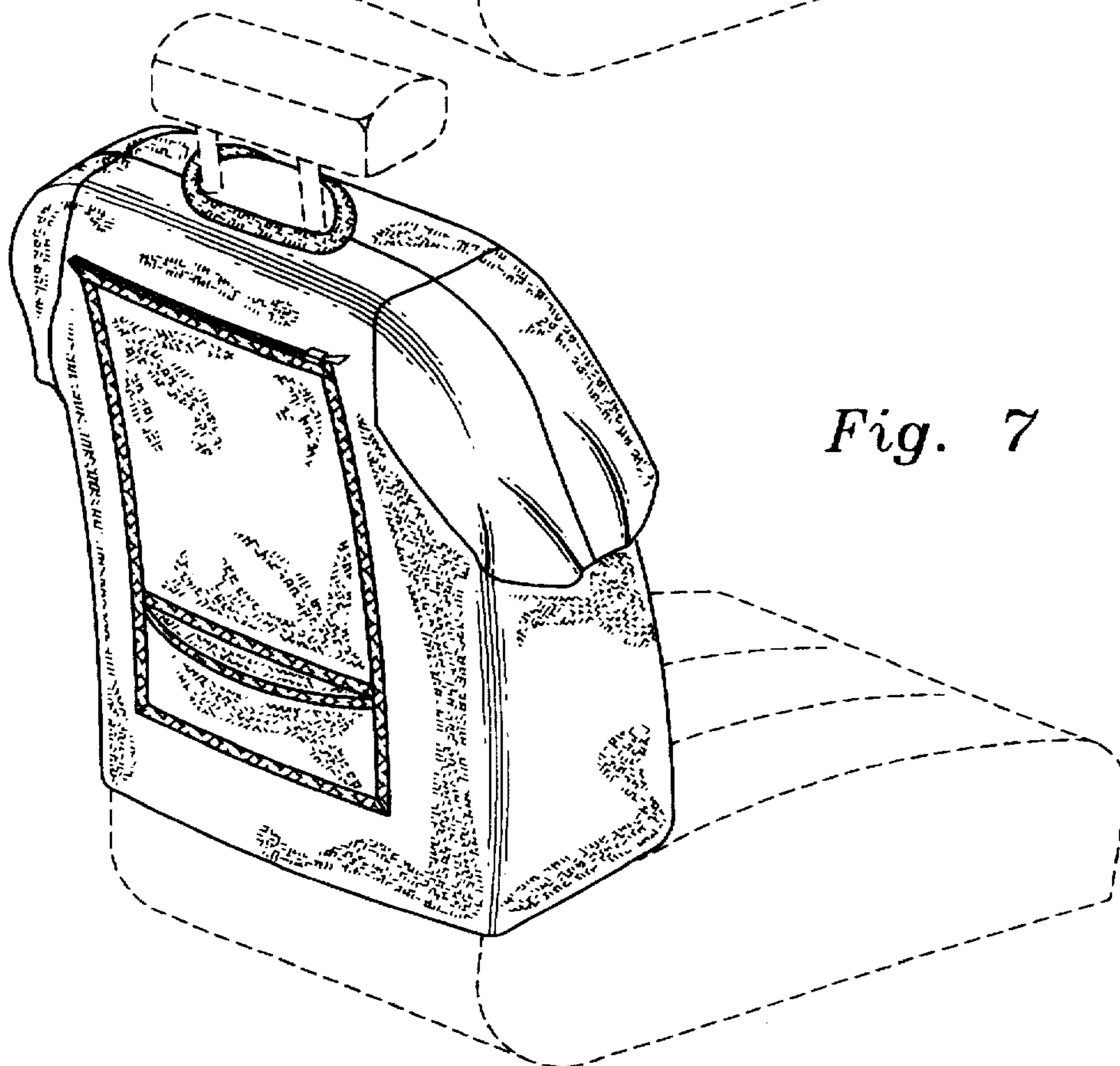


Fig. 7

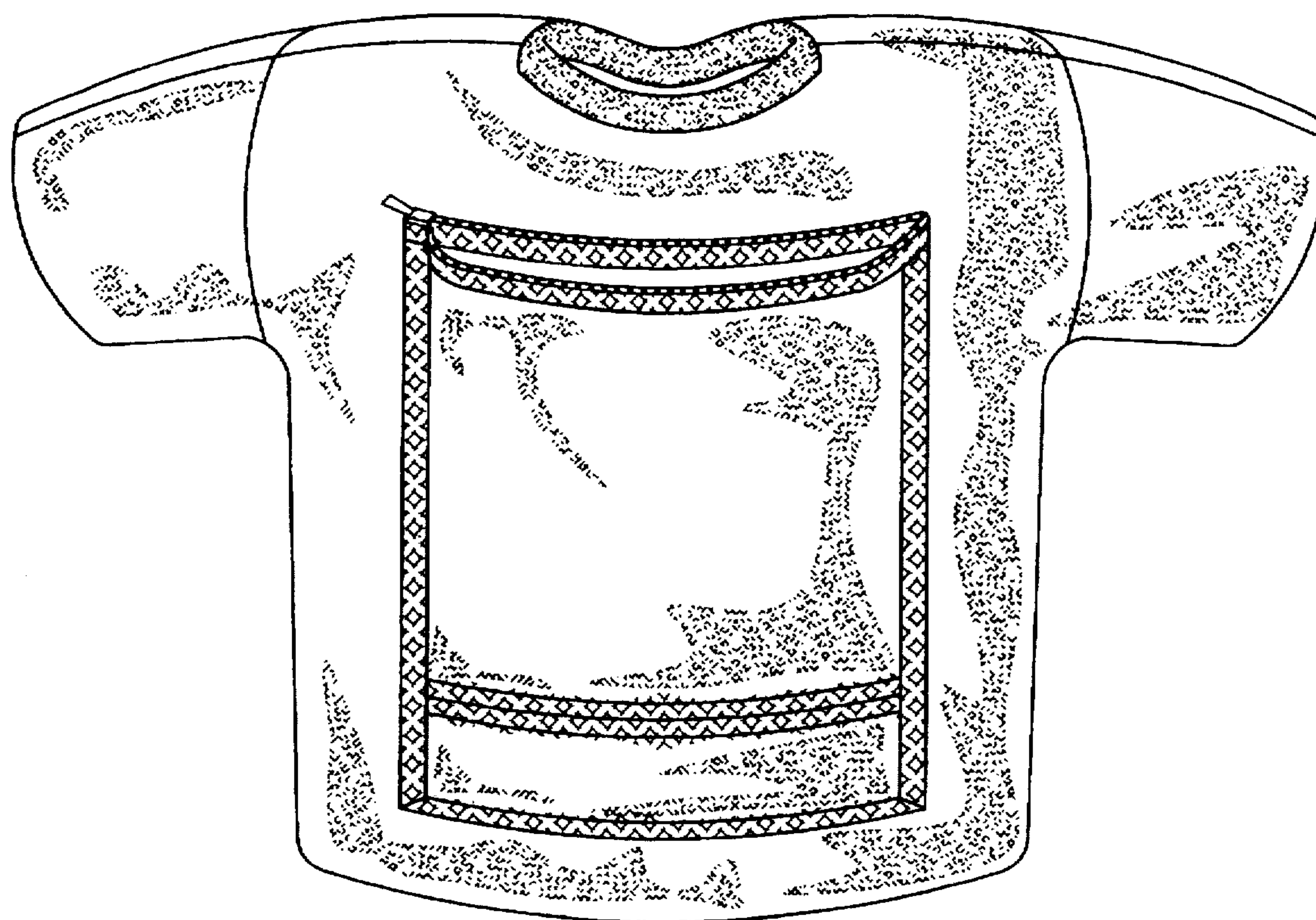


Fig. 8