



US00D396978S

United States Patent [19]

[11] Patent Number: **Des. 396,978**

Kaiser et al.

[45] Date of Patent: ****Aug. 18, 1998**

[54] ROLL FILM DISPENSER

[75] Inventors: **Ian R. Kaiser**, La Canada; **Sean A. Neiberger**, Malibu, both of Calif.

[73] Assignee: **Allen-Reed Company, Inc.**, Los Angeles, Calif.

[**] Term: **14 Years**

[21] Appl. No.: **69,025**

[22] Filed: **Apr. 23, 1997**

[51] LOC (6) Cl. **07-07**

[52] U.S. Cl. **D6/518**

[58] Field of Search D6/515-518, 523;
242/550, 570, 590, 595, 596, 600, 601;
312/34.8; 206/225, 389

[56] References Cited

U.S. PATENT DOCUMENTS

D. 300,492	4/1989	Pearce	D6/518
D. 347,345	5/1994	Kaiser et al.	D6/518
D. 351,303	10/1994	Crawford et al.	D6/518
D. 390,734	2/1998	Bailey	D6/518
1,915,736	6/1933	Hurlbut	
2,305,592	12/1942	Anderson	164/84.5
2,766,877	10/1956	Burbank	206/58
2,771,185	11/1956	Annen	206/58
2,771,186	11/1956	Burbank	206/58
2,820,281	1/1958	Amsen	29/78
2,888,180	5/1959	Kinker, Jr.	225/39
3,034,690	5/1962	Klun	225/19
3,137,424	6/1964	Finn et al.	225/48
3,144,970	8/1964	Beschmann	225/39
3,227,340	1/1966	Haley	225/19
3,281,036	10/1966	Woodling	225/49
3,549,066	12/1970	Wankow	225/25
3,567,087	3/1971	Schramm	225/43
3,688,625	9/1972	Thomas et al.	83/614
3,810,567	5/1974	Malcolm	225/67
3,851,809	12/1974	McKibbin	225/20
3,974,947	8/1976	Budny	225/25
3,989,175	11/1976	Cherrin	225/76
4,005,809	2/1977	Finn	225/49
4,059,210	11/1977	Deering, Jr.	225/47
4,119,251	10/1978	Golner et al.	225/20

4,156,382	5/1979	Baker	93/33 H
4,170,914	10/1979	Carrier	83/580
4,196,647	4/1980	Fish	83/175
4,197,774	4/1980	Singh et al.	83/374
4,210,043	7/1980	Urion et al.	83/175
4,245,536	1/1981	Urion	83/821
4,325,176	4/1982	Urion et al.	29/450
4,340,162	7/1982	Heiman et al.	225/48
4,346,829	8/1982	Myers	225/48
4,417,495	11/1983	Gordon et al.	83/175
4,450,996	5/1984	Kamp	225/43
4,646,956	3/1987	Ruff et al.	225/77
4,648,536	3/1987	VanderLugt	225/43
4,651,911	3/1987	Kirkup et al.	225/20
4,666,072	5/1987	McCarter	225/25
4,754,674	7/1988	Periman	83/422
4,762,042	8/1988	Denter et al.	83/374
4,787,284	11/1988	Chen	83/614
4,951,858	8/1990	Krall	225/19
4,957,023	9/1990	Chen	83/372
4,960,022	10/1990	Chuang	83/175
4,967,628	11/1990	Judd et al.	83/455
5,025,692	6/1991	Reynolds	83/468
5,036,740	8/1991	Tsai	83/455
5,038,934	8/1991	Higashiyama	206/225 X
5,044,241	9/1991	Labrecque	83/489
5,292,046	3/1994	Kaiser et al.	225/19

OTHER PUBLICATIONS

"Exhibit A", Copies of a Photograph of a Blade set forth in Exhibit C.

"Exhibit B", Copies of a Photograph of a Blade set forth in Exhibit D.

Ken-Cut Safety Dispenser.

Reynolds Klik-Cut Film Dispenser Photographs.

Primary Examiner—Brian N. Vinson

Attorney, Agent, or Firm—D'Alessandro & Ritchie

[57] CLAIM

The ornamental design for a roll film dispenser, as shown and described.

DESCRIPTION

FIG. 1 is a front three-point perspective view of a roll film dispenser;

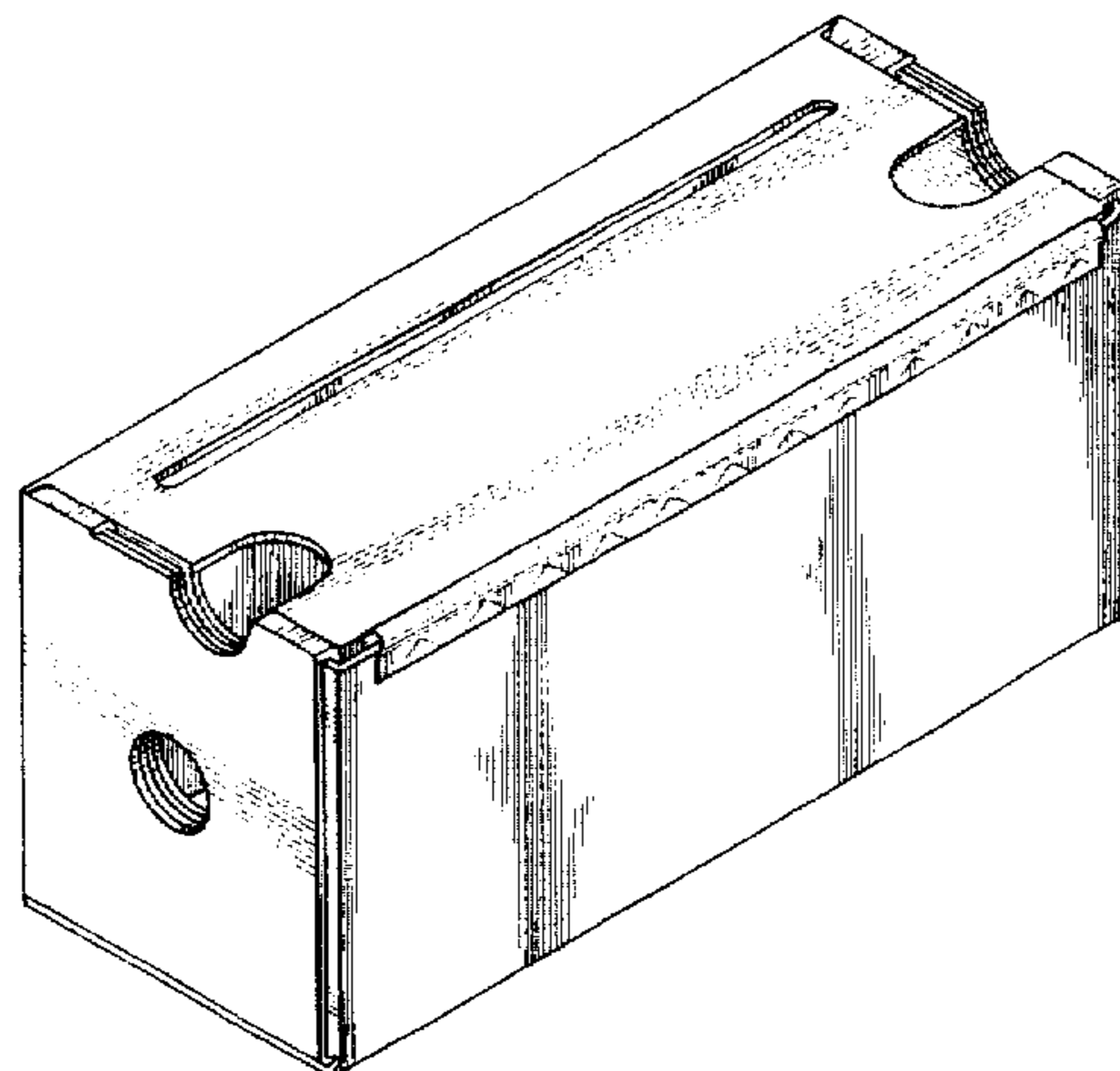


FIG. 2 is a right side elevation of a roll film dispenser, the left side elevation being a mirror image thereof and therefore not shown;

FIG. 3 is a cross-sectional view along line 3—3 of FIG. 4 of a roll film dispense with the top open.

FIG. 4 is a top plan view of a roll film dispenser with the top open, the film roll being shown in phantom;

FIG. 5 is a front elevation of a roll film dispenser with the top closed;

FIG. 6 is a top plan view of a roll film dispenser with the top closed;

FIG. 7 is a cross-sectional view along line 7—7 of FIG. 6 of a roll film dispenser;

FIG. 8 is a rear elevation of a roll film dispenser with the top closed;

FIG. 9 is a bottom plan view of a roll film dispenser; and,

FIG. 10 is a top plan view of a flattened and cut sheet from which a roll film dispenser may be assembled.

1 Claim, 6 Drawing Sheets

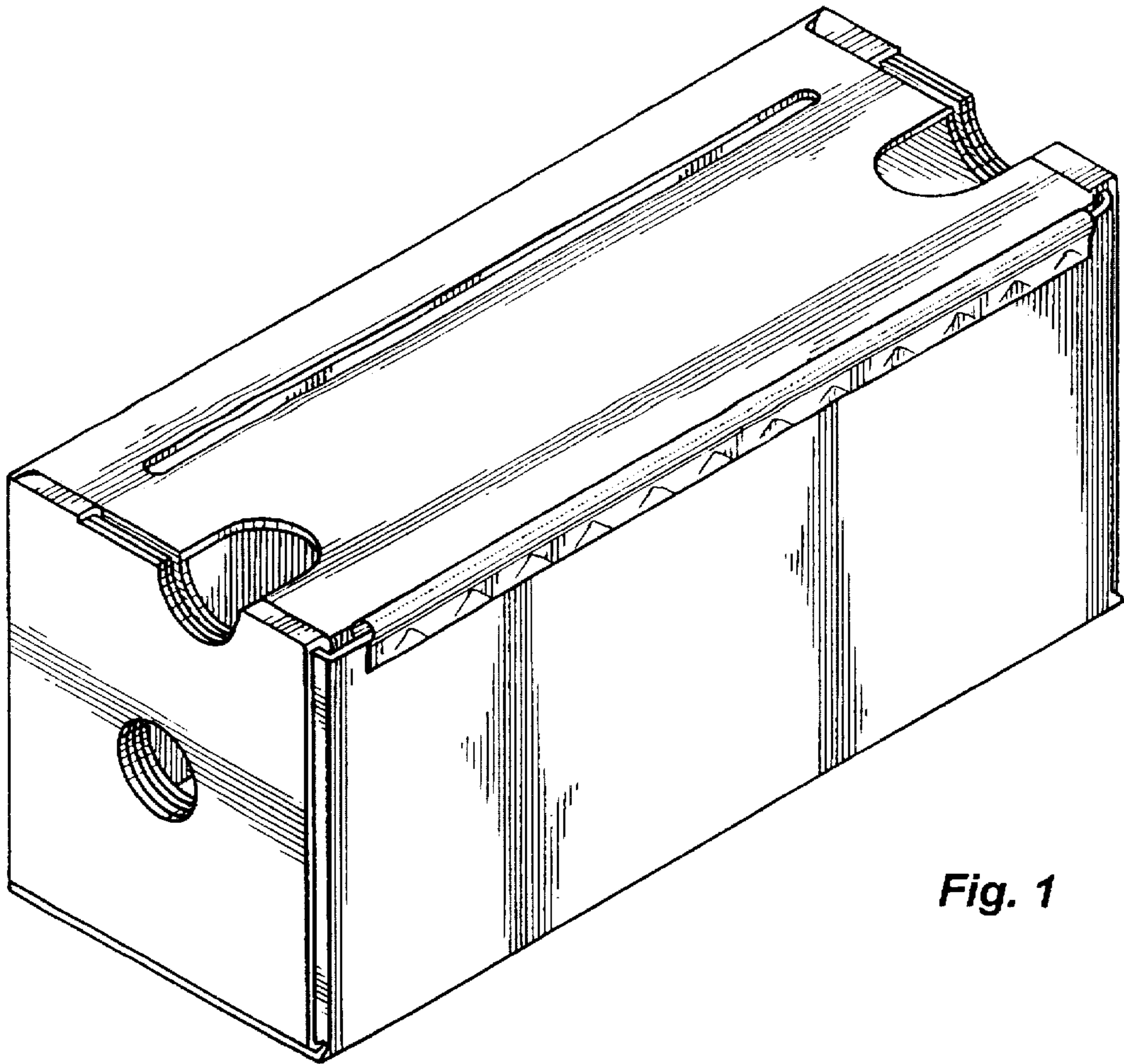


Fig. 1

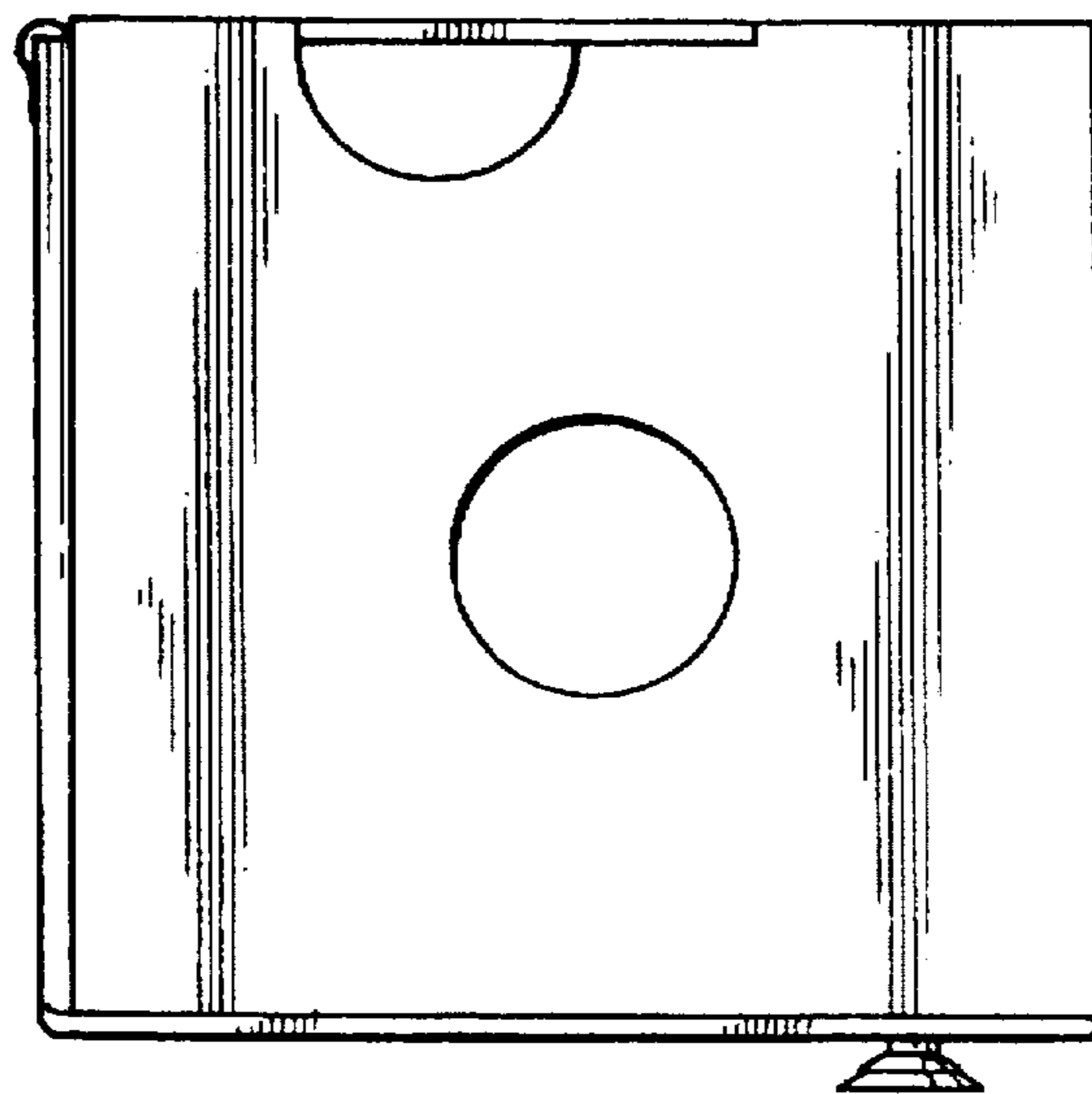


Fig. 2

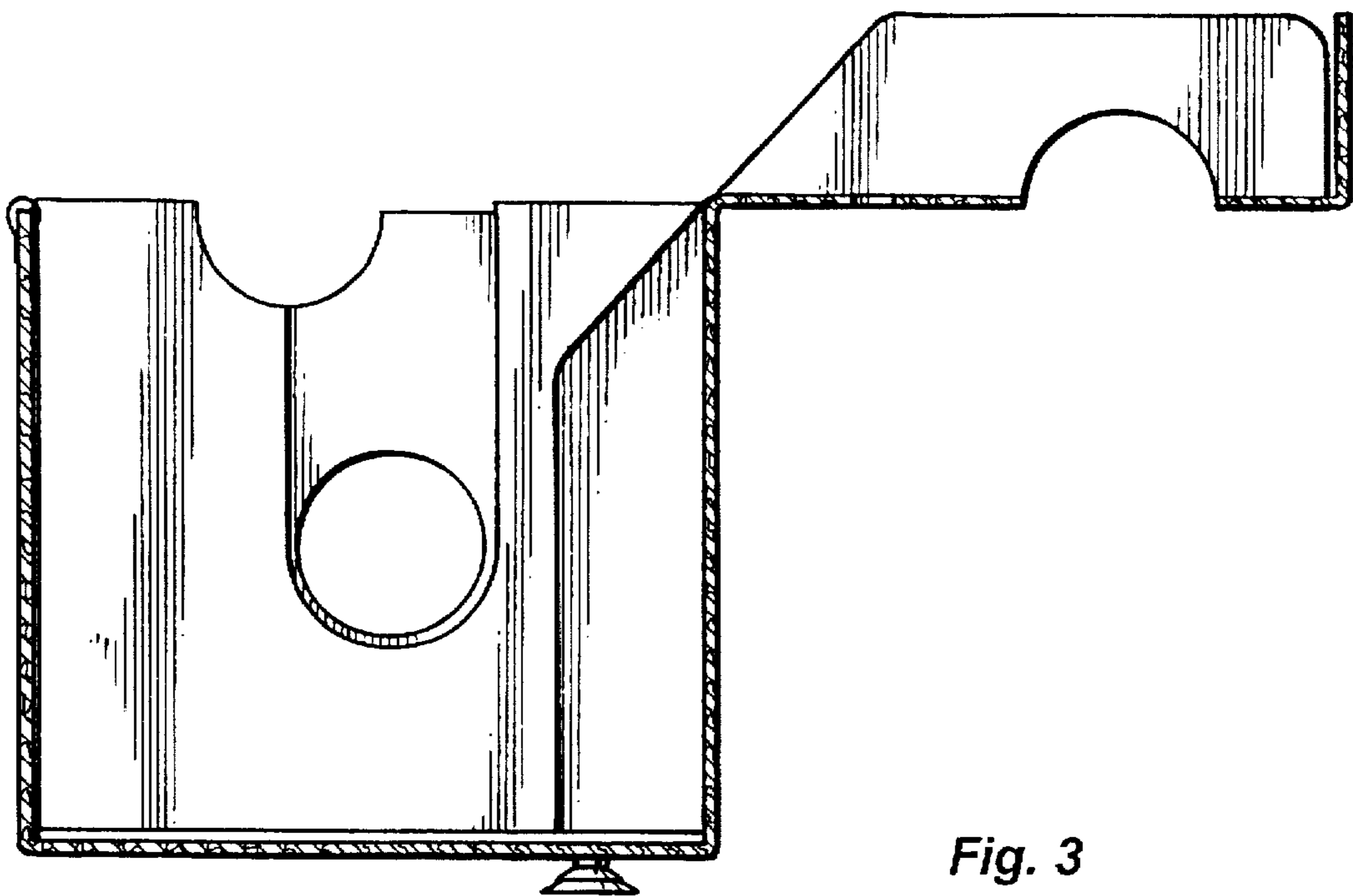


Fig. 3

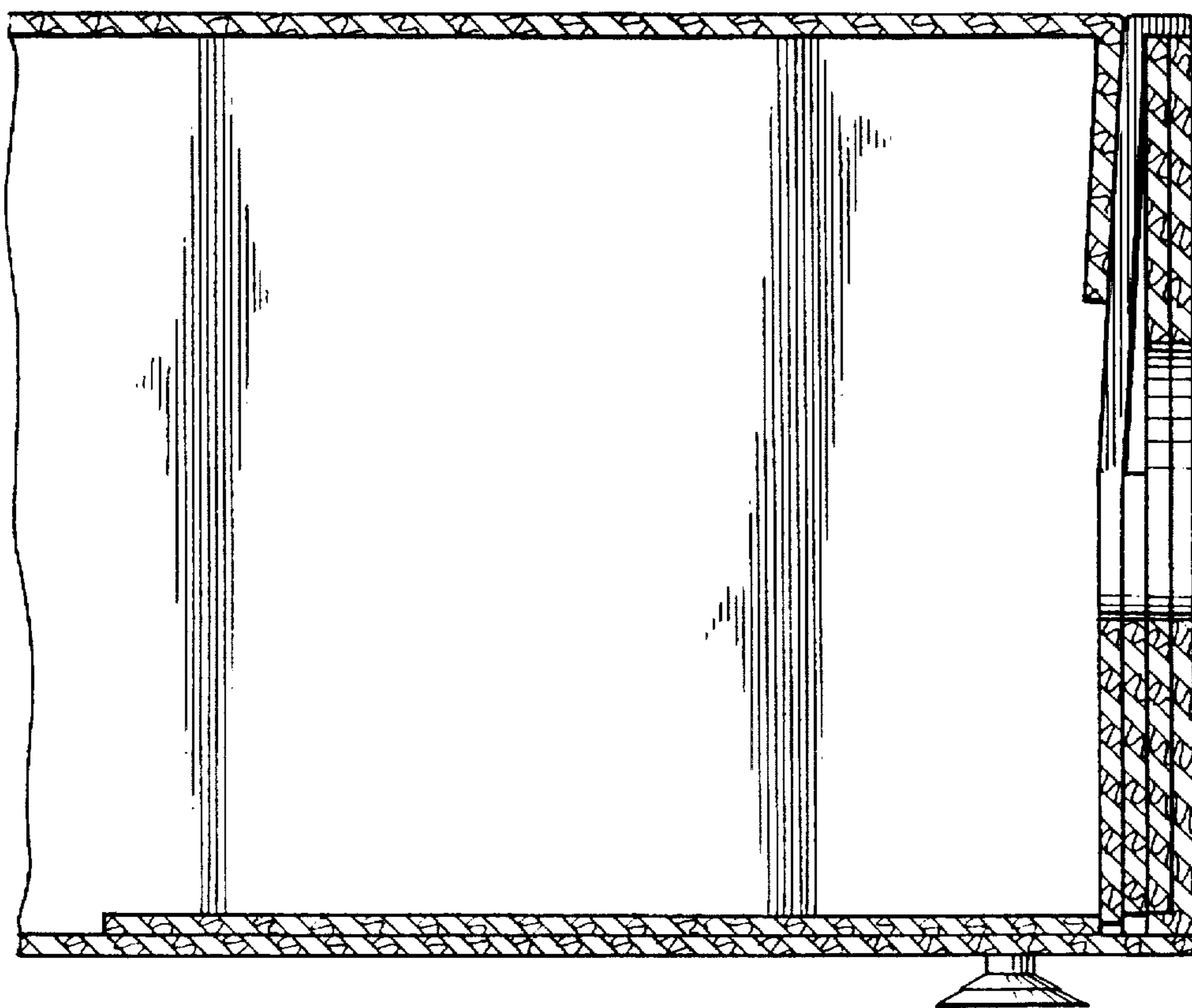


Fig. 7

Fig. 4

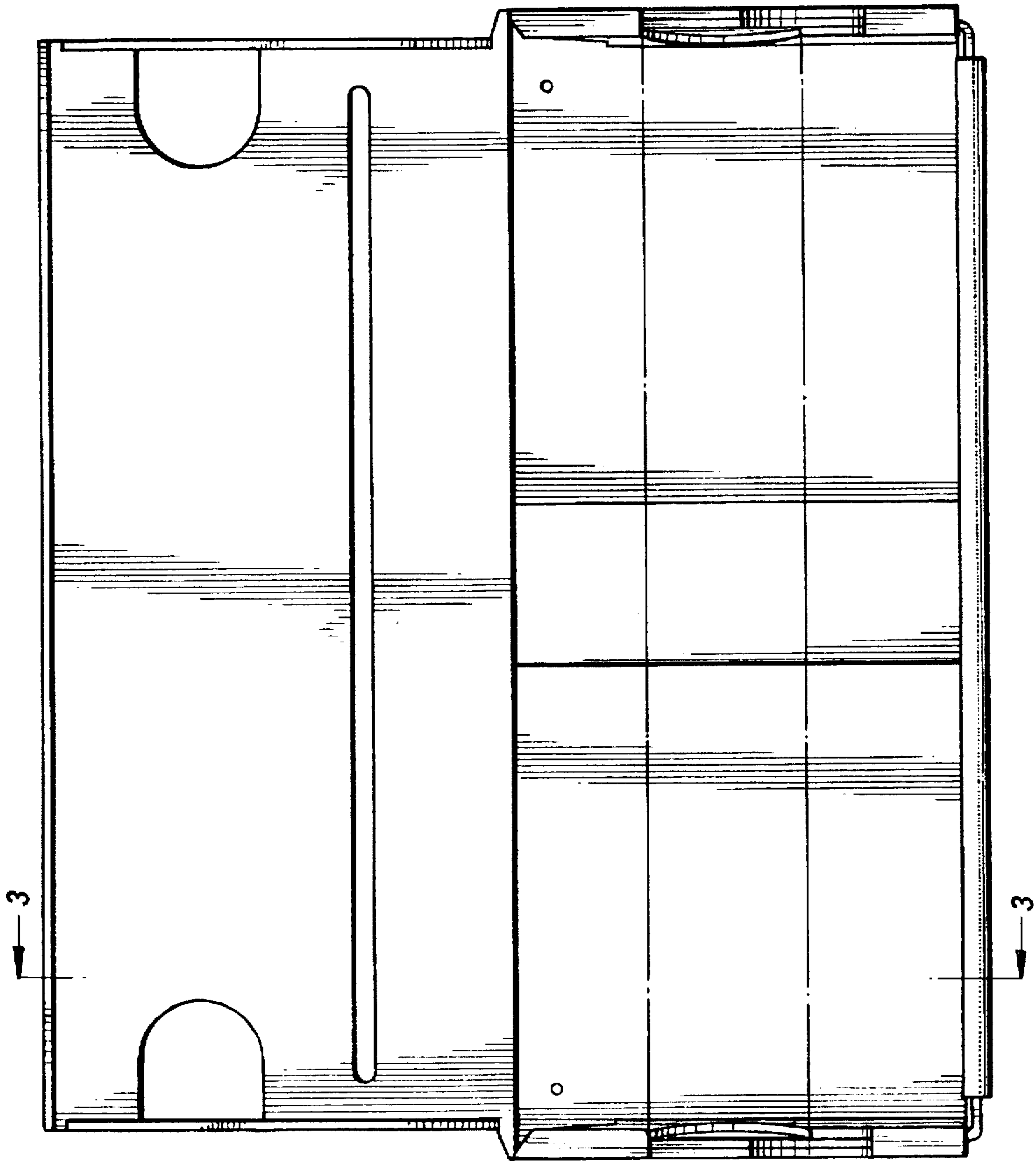


Fig. 5

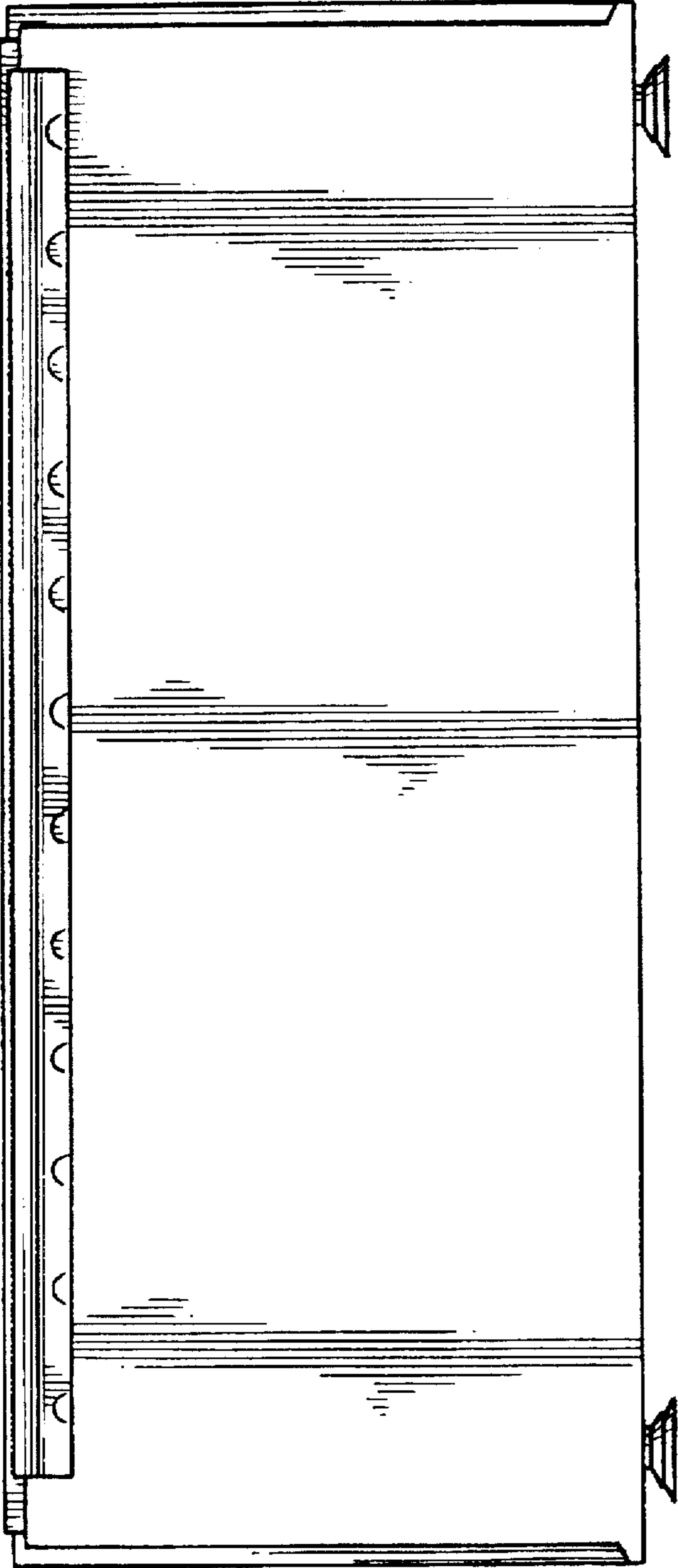


Fig. 6

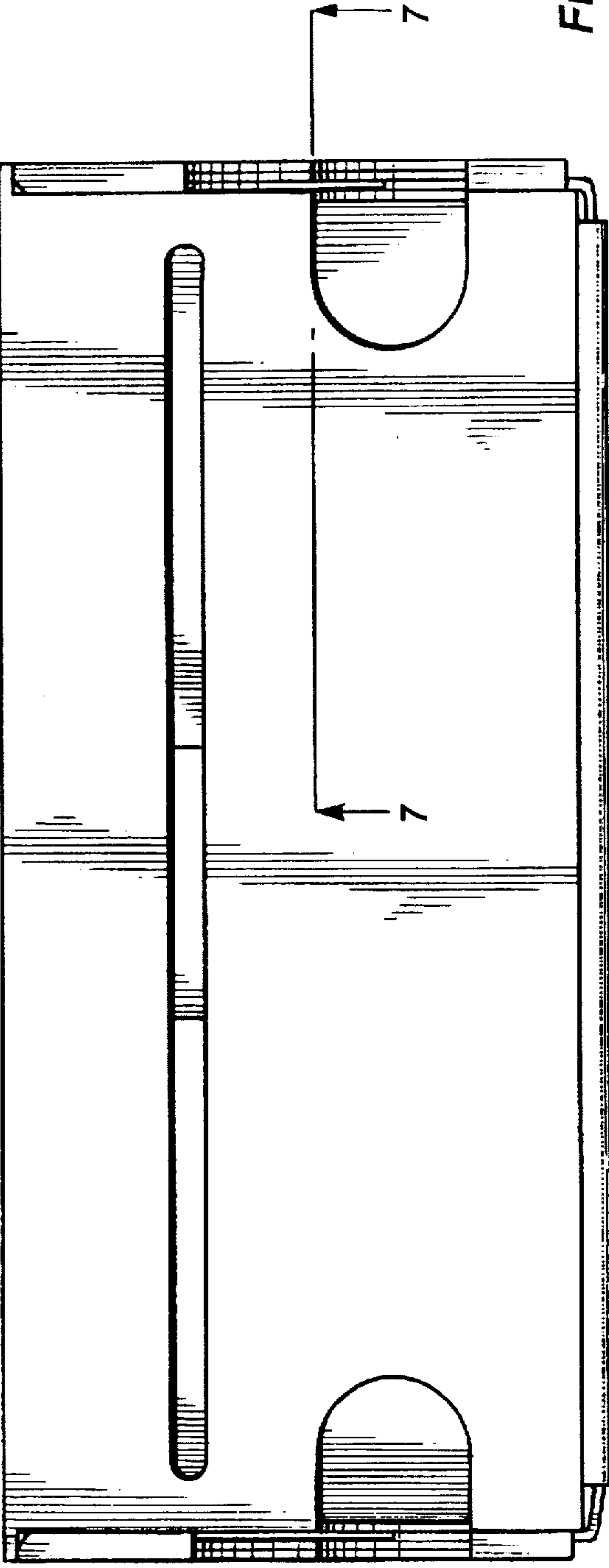


Fig. 8

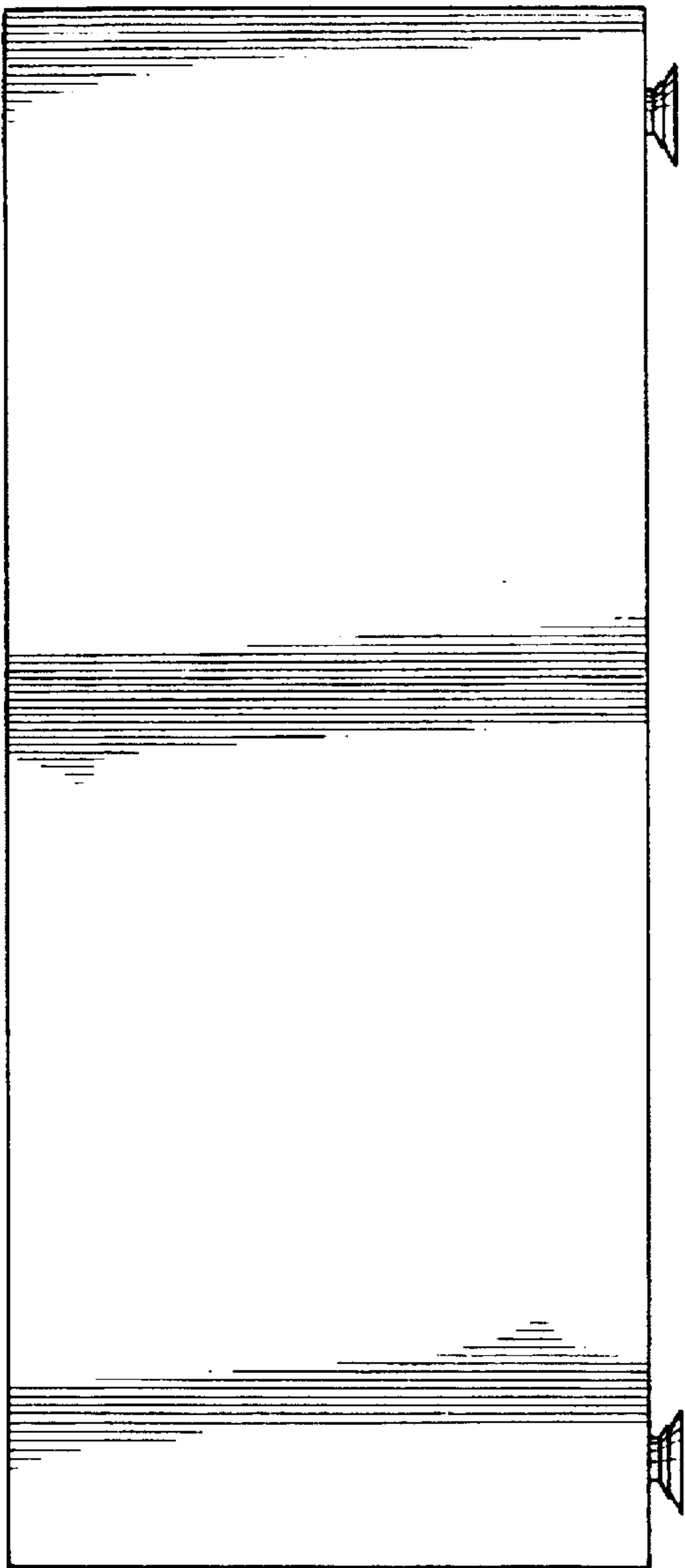
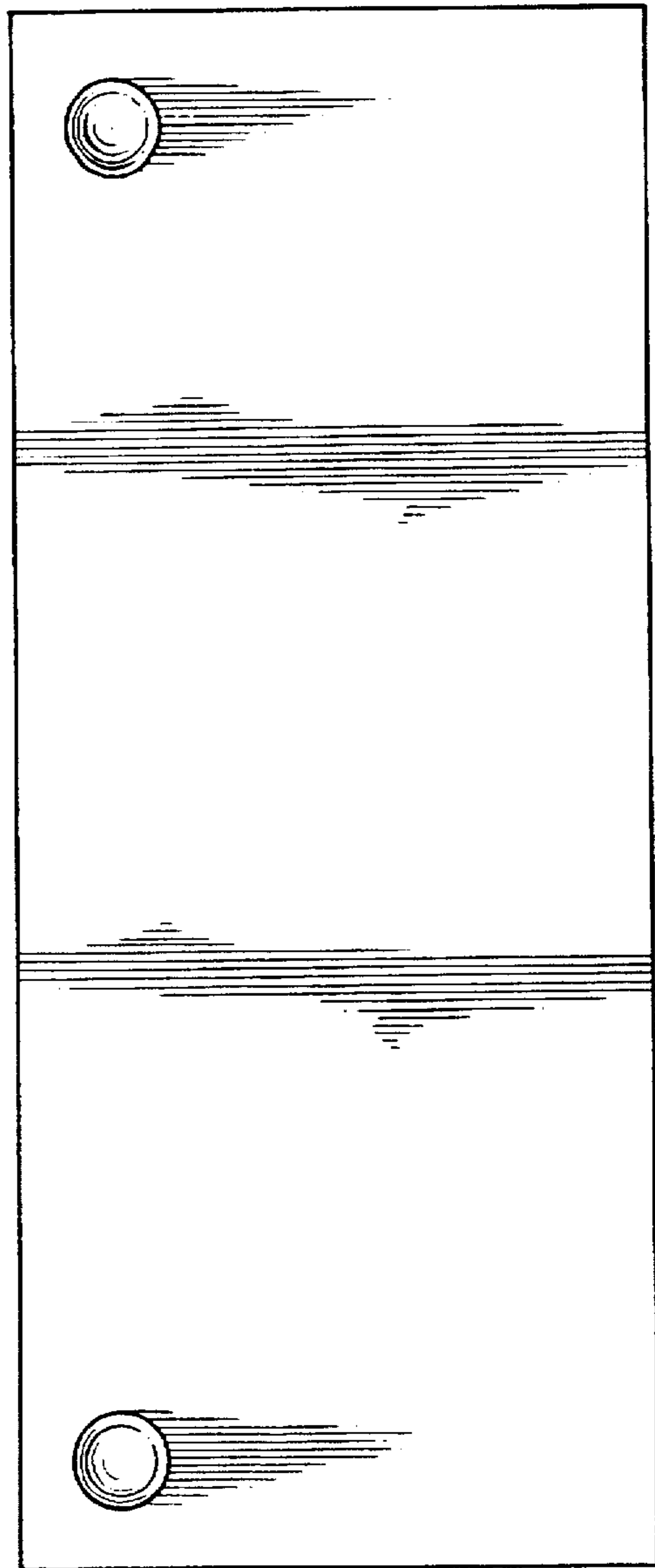


Fig. 9



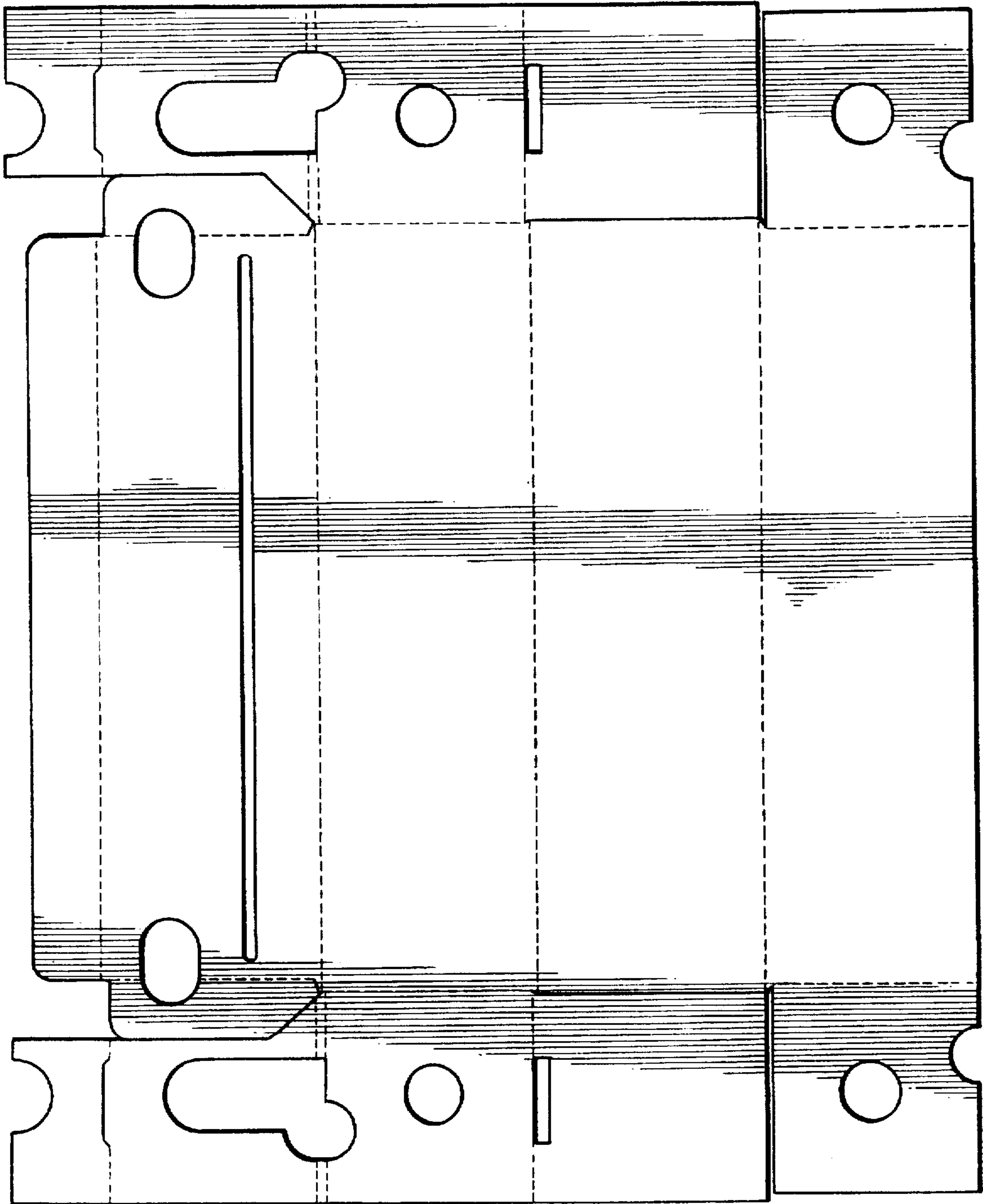


Fig. 10