

US00D396975S

United States Patent [19]
Dammermann et al.

[11] **Patent Number: Des. 396,975**
[45] **Date of Patent: **Aug. 18, 1998**

[54] **SEATING UNIT**

[76] Inventors: **Arnold B. Dammermann**, 3075
Hayward Dr., SE., Grand Rapids, Mich.
49546; **Michael L. Deimen**, 544
Hoover St., Burleson, Tex. 76028

[**] **Term: 14 Years**

[21] **Appl. No.: 68,905**

[22] **Filed: Apr. 4, 1997**

Related U.S. Application Data

[60] Division of Ser. No. 60,459, Sep. 30, 1996, which is a
continuation-in-part of Ser. No. 35,048, Feb. 17, 1995, Pat.
No. Des. 383,322.

[51] **LOC (6) Cl. 06-06**
[52] **U.S. Cl. D6/500; D6/366; D6/502**
[58] **Field of Search D6/334, 364, 365,**
D6/366, 367, 379, 500, 501, 502; 297/411.2,
DIG. 1

[56] **References Cited**

U.S. PATENT DOCUMENTS

- D. 185,849 8/1959 Christenson et al. .
- D. 185,850 8/1959 Christenson et al. D6/334
- D. 236,173 8/1975 Ruf .
- D. 259,000 4/1981 Vogtherr D6/366
- D. 296,624 7/1988 Bellini .
- D. 299,799 2/1989 Muller-Deisig et al. .
- D. 306,531 3/1990 Snodgrass .
- D. 309,383 7/1990 Muller-Deisig et al. .
- D. 311,286 10/1990 Muller-Deisig et al. .
- D. 312,003 11/1990 Muller-Deisig et al. .
- D. 312,536 12/1990 Muller-Deisig et al. .
- D. 315,066 3/1991 Adams et al. .
- D. 315,836 4/1991 Kaiser .
- D. 318,184 7/1991 Muller-Deisig et al. .
- D. 320,507 10/1991 Shields .
- D. 322,363 12/1991 Narita .
- D. 326,369 5/1992 Buchacz .
- D. 327,585 7/1992 Hollington .
- D. 345,470 3/1994 Narita .
- D. 346,909 5/1994 Obata et al. .

(List continued on next page.)

OTHER PUBLICATIONS

Exhibit A is a product brochure entitled "Relax Armrest,"
publication date unknown, published by RH Form AB,
Bodafors, Sweden, disclosing an armrest.

Exhibit B is a product brochure entitled "The Chair Works,"
publication date unknown, published by The Chair Works,
Inc., College Station, Texas, disclosing chairs having arm-
rests.

Exhibit C is a product brochure entitled "Comforto®,"
publication date unknown, published by Haworth, Europe,
disclosing various chairs with arms.

Exhibit D is a product brochure entitled "Office Views,"
publication date unknown, published by Sitag Intrenational,
Irvine, California, disclosing various chairs with arms.

Exhibit E is coassigned, copending application Ser. No.
29/035,048, filed Feb. 17, 1995, entitled "Seating Unit,"
which illustrates a seating unit shown in Jun., 1995 at a trade
show.

Exhibit F is coassigned, copending application Ser. No.
29/035,345, filed Feb. 17, 1995, entitled "Seating Unit,"
which illustrates a seating unit shown in Jun., 1995 at a trade
show.

Primary Examiner—Gary D. Watson

Attorney, Agent, or Firm—Price, Heneveld, Cooper, DeWitt
& Litton

[57] **CLAIM**

The ornamental design for a seating unit, as shown and
described.

DESCRIPTION

FIG. 1 is a front perspective view of a seating unit of the
present invention;

FIG. 2 is a left side elevational view thereof, the right side
being a mirror image;

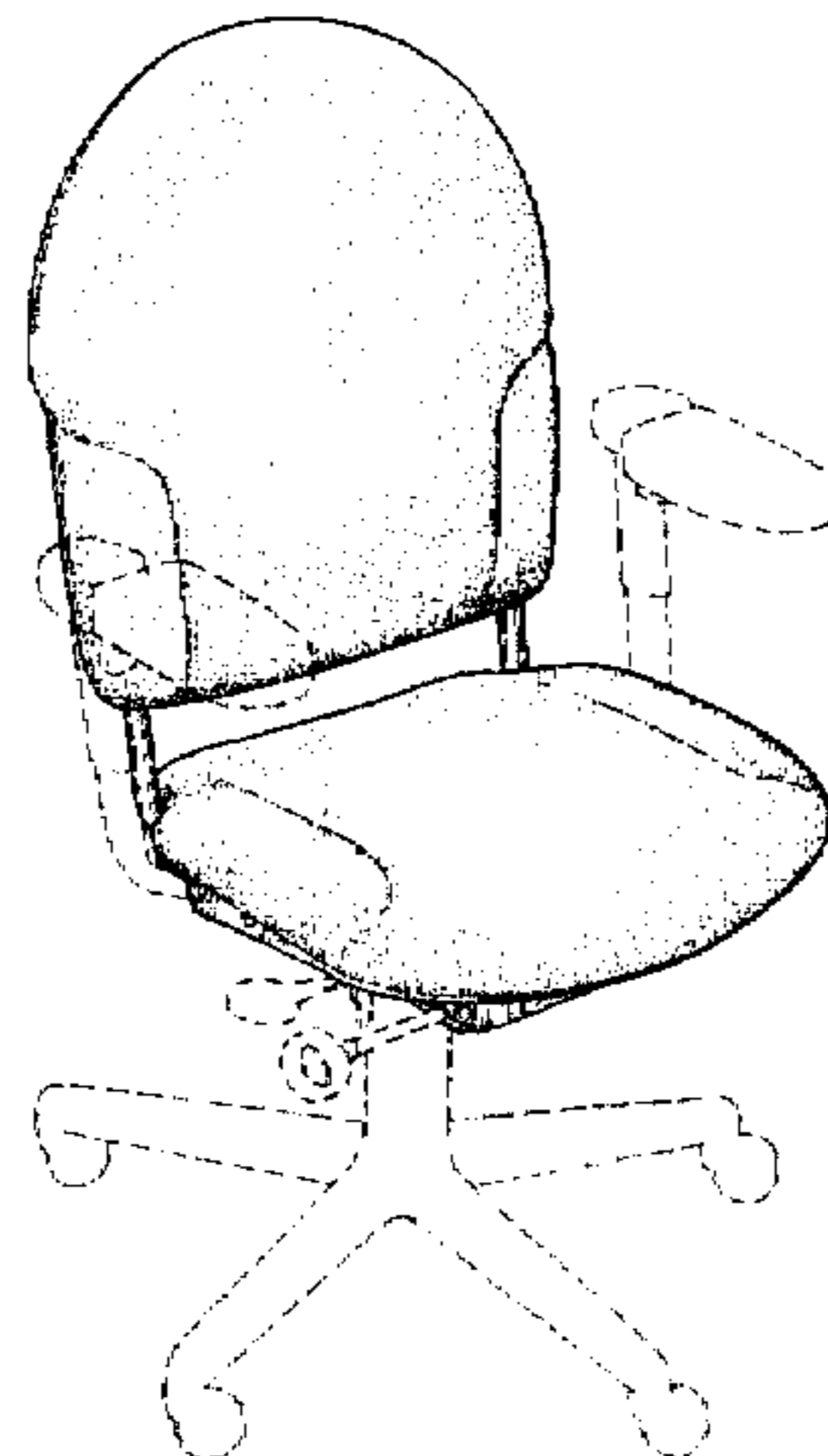
FIG. 3 is a front elevational view thereof;

FIG. 4 is a top plan view thereof; and,

FIG. 5 is a rear elevational view thereof.

The dashed lines in FIGS. 1-5 are included to show the
environment of the illustrated designs, but do not form a part
of the present invention.

1 Claim, 3 Drawing Sheets



U.S. PATENT DOCUMENTS

D. 354,178	1/1995	Ochsner .	4,744,603	5/1988	Knoblock .
D. 358,064	5/1995	Larkin .	4,911,501	3/1990	Decker et al. .
D. 368,172	3/1996	Locher .	4,966,412	10/1990	Dauphin .
D. 372,595	8/1996	Schultz et al. .	5,029,940	7/1991	Golynsky et al. .
D. 373,498	9/1996	Phalen D6/500	5,035,466	7/1991	Mathews et al. .
D. 373,695	9/1996	Buffon D6/500	5,046,780	9/1991	Decker et al. .
D. 383,322	9/1997	Dammermann et al. D6/366	5,106,157	4/1992	Nagelkirk et al. .
3,704,911	12/1972	Milakovich .	5,288,138	2/1994	Stulik et al. .
4,720,142	1/1988	Holdredge et al. .	5,318,345	6/1994	Olson .
			5,385,388	1/1995	Faiks et al. .

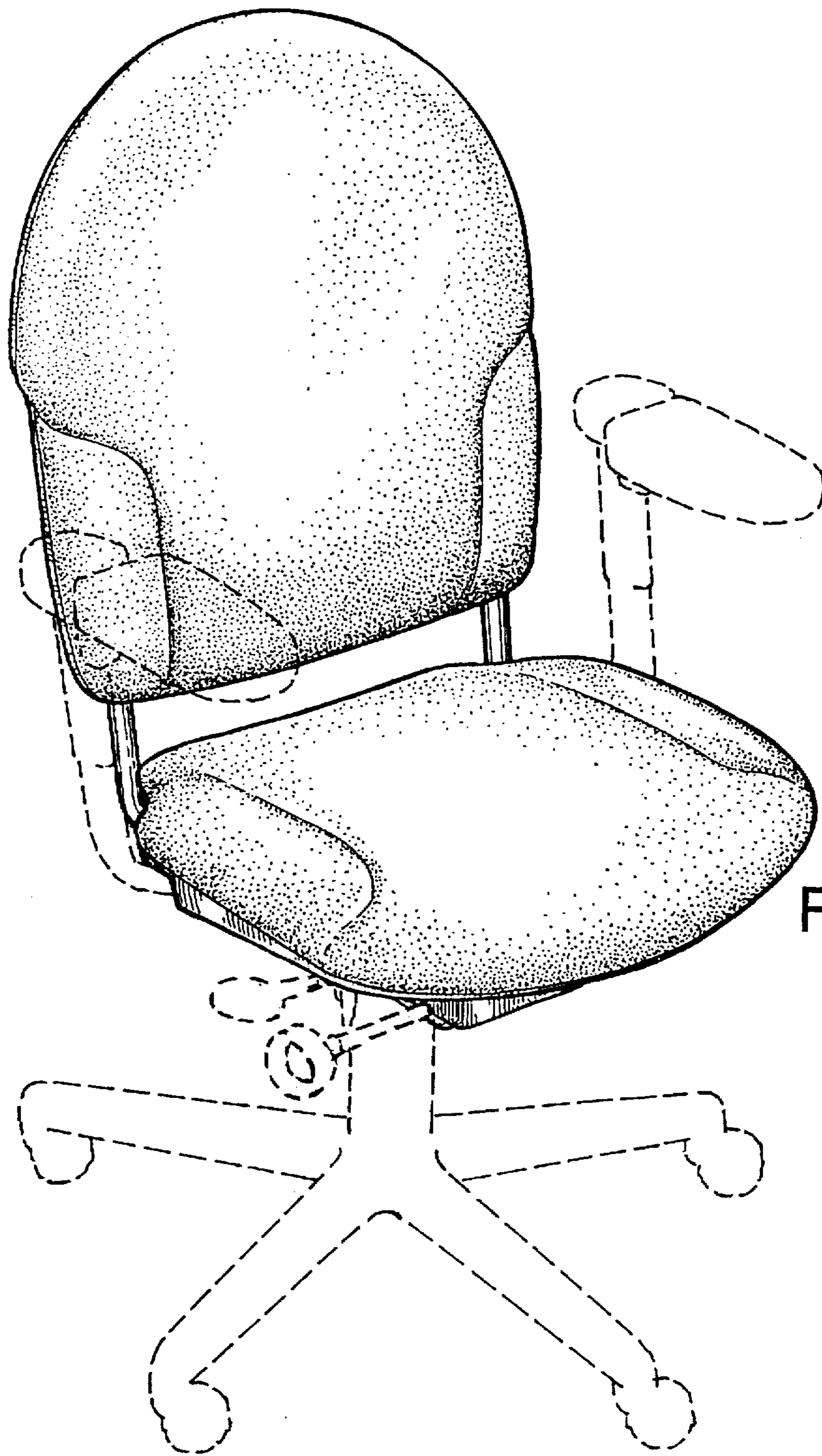


Fig. 1

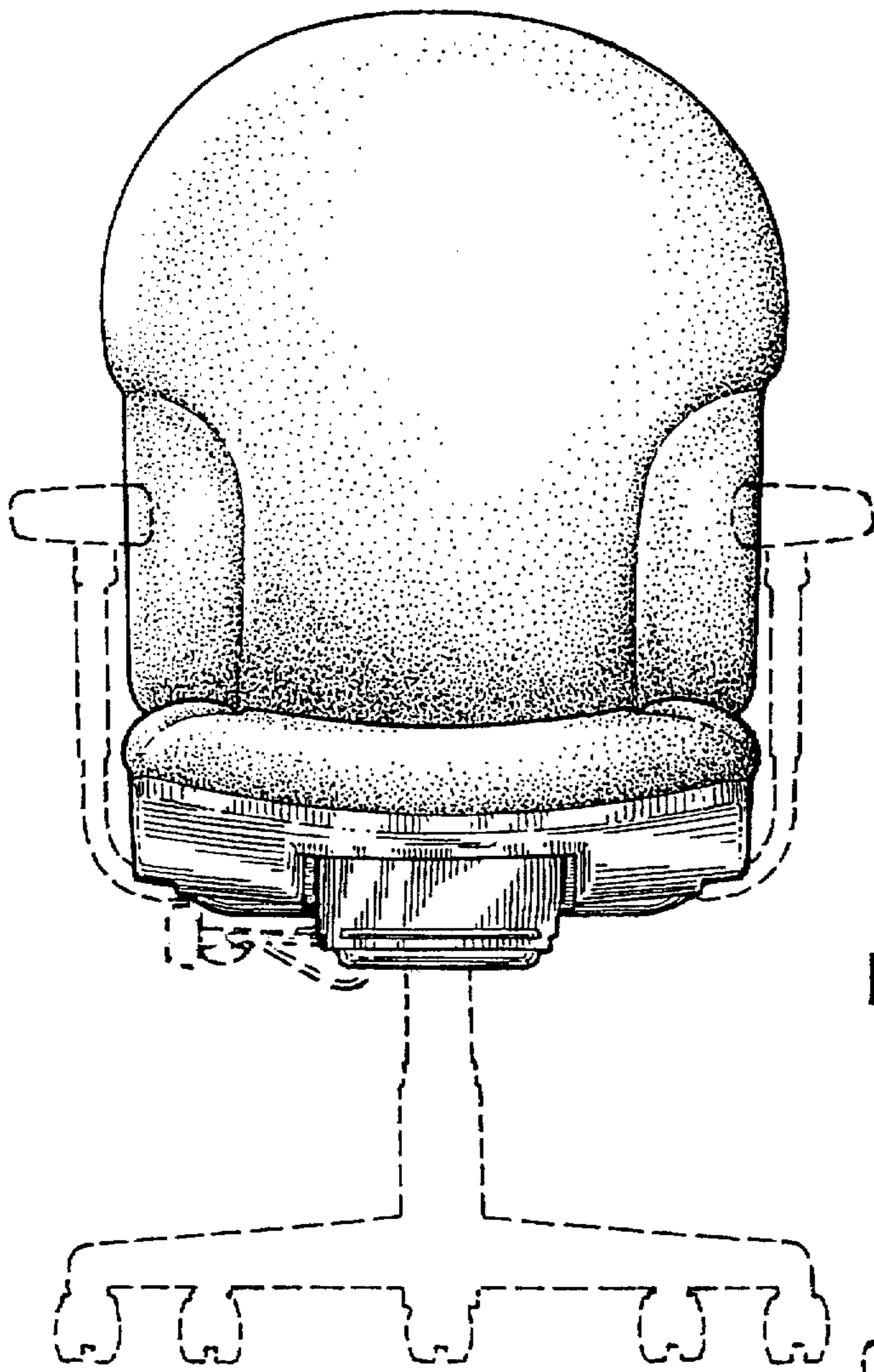


Fig. 3

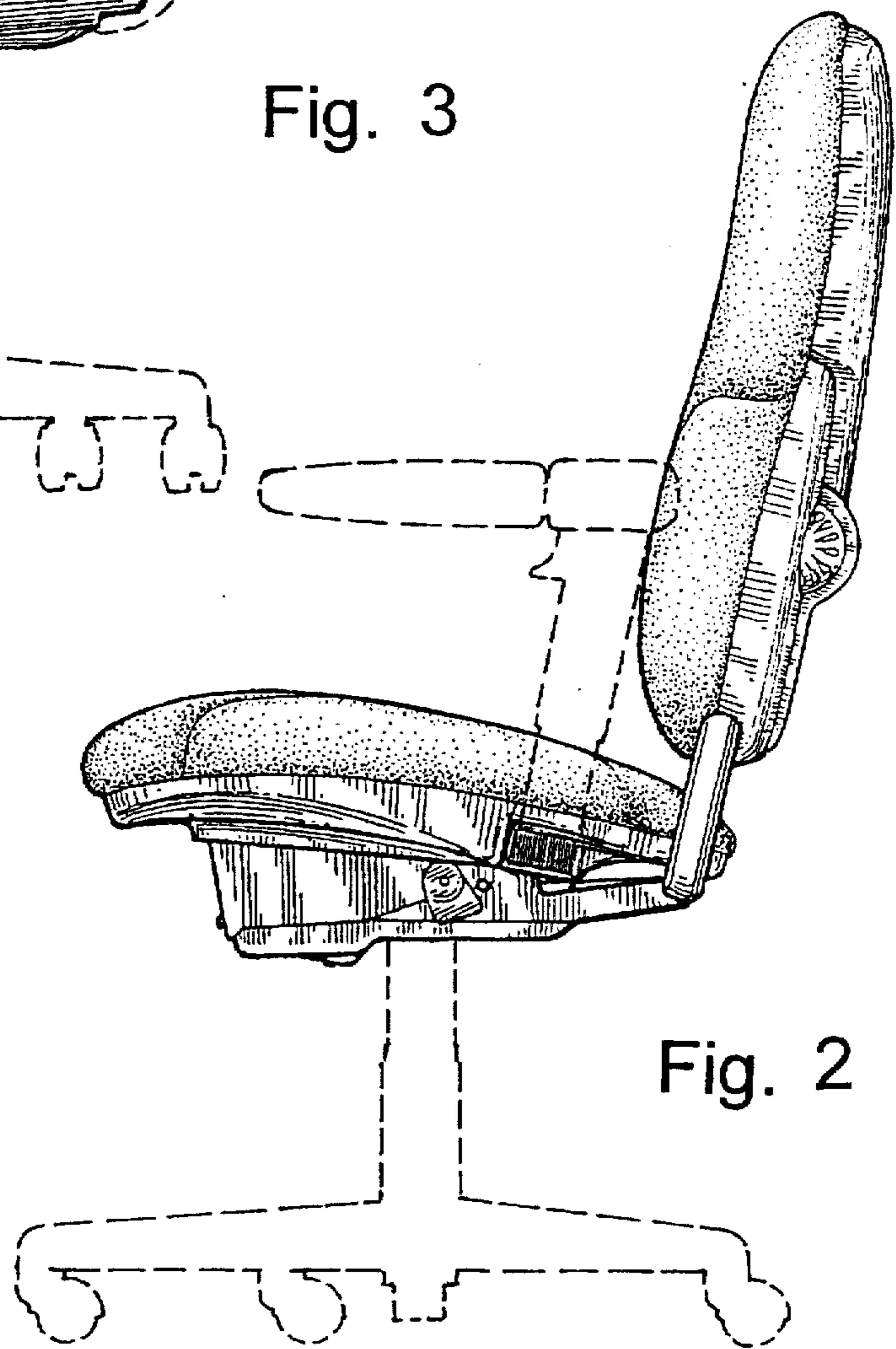


Fig. 2

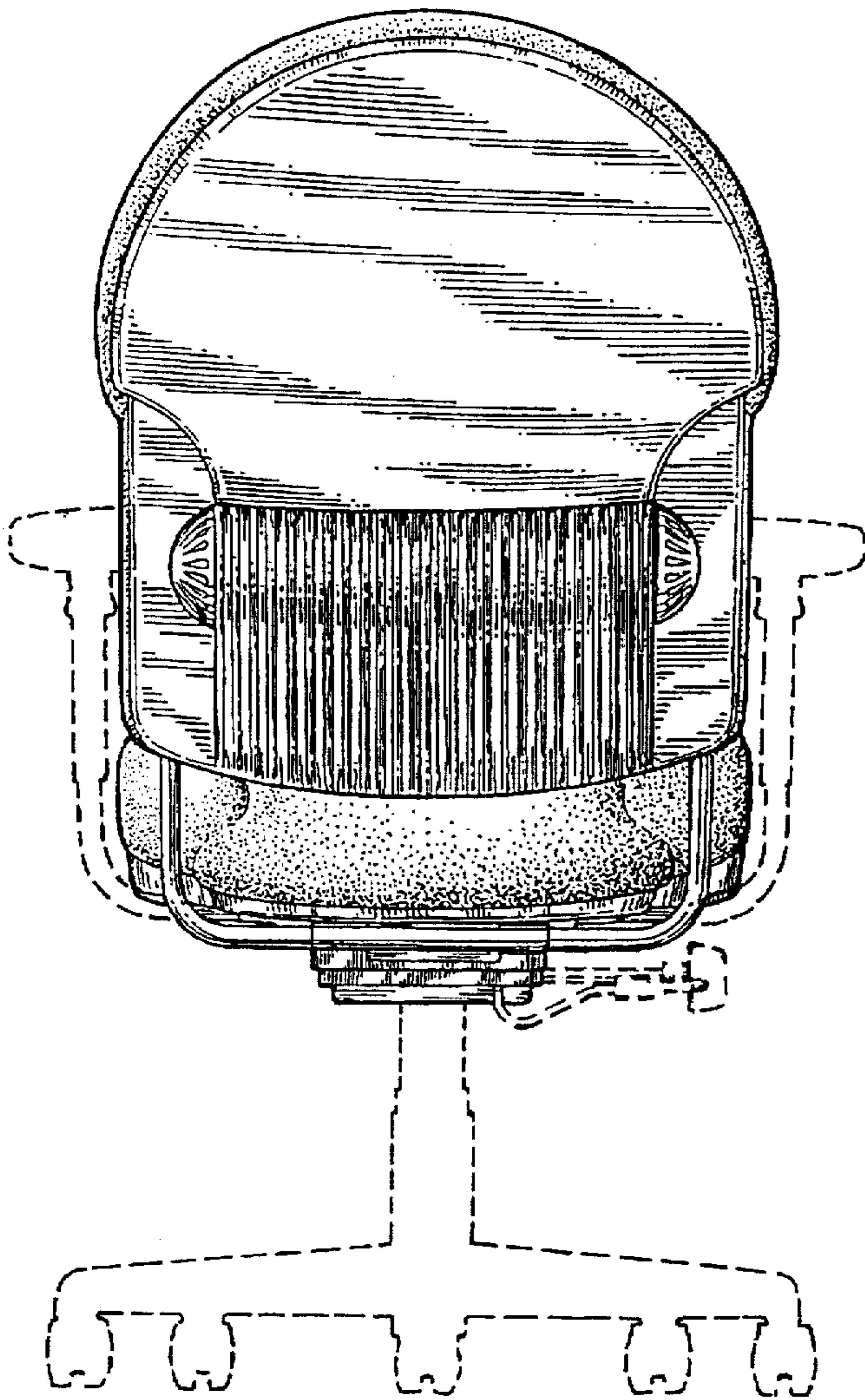


Fig. 5

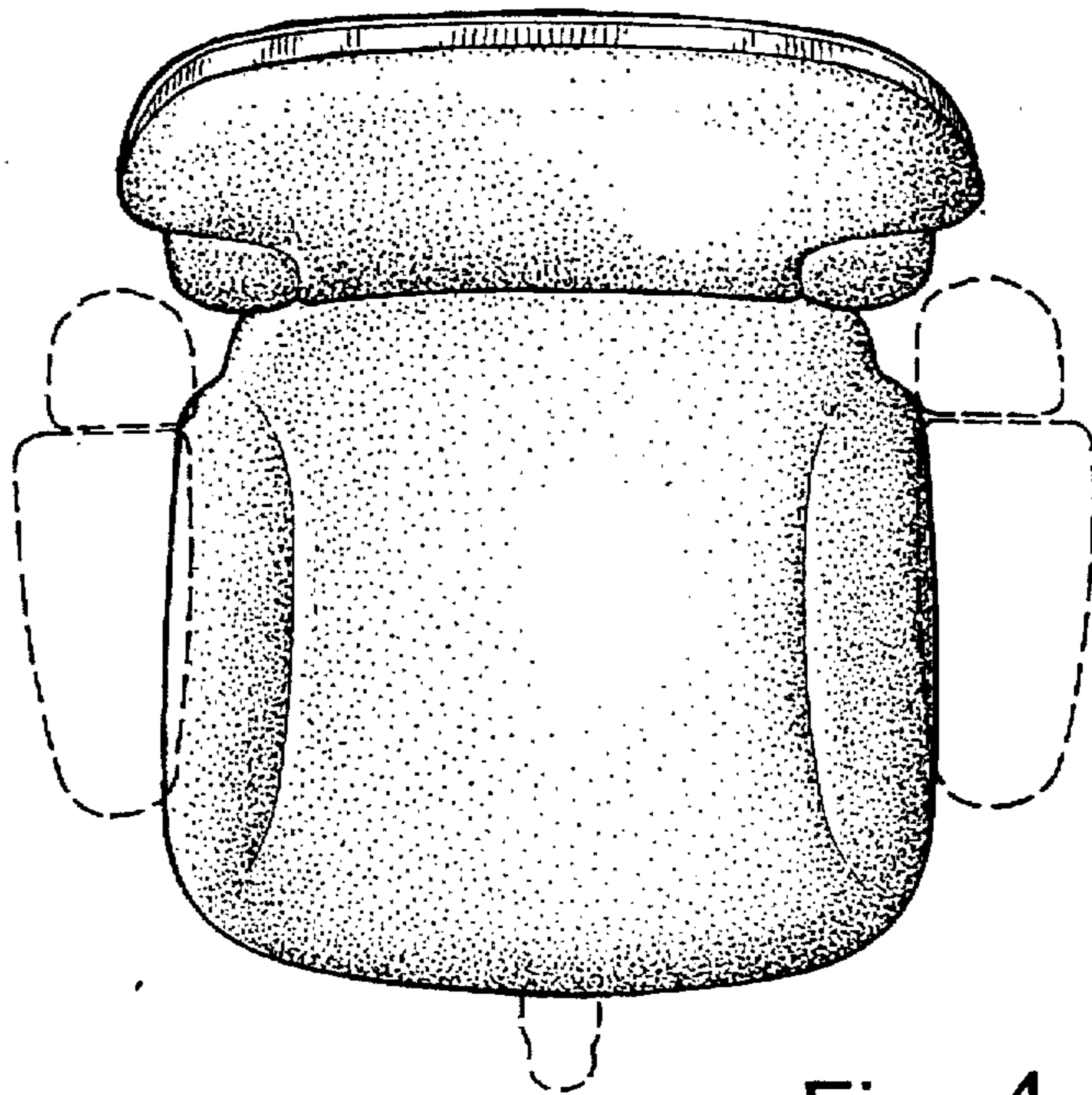


Fig. 4

UNITED STATES PATENT AND TRADEMARK OFFICE
CERTIFICATE OF CORRECTION

PATENT NO. : Des. 396,975
DATED : August 18, 1998
INVENTOR(S) : Arnold B. Dammermann et al.

It is certified that error appears in the above-identified patent and that said Letters Patent is hereby corrected as shown below:

On the title page, item [73]:

Insert -- Assignee: Steelcase Inc., Grand Rapids, Michigan. --

Signed and Sealed this
Sixth Day of March, 2001



NICHOLAS P. GODICI

Acting Director of the United States Patent and Trademark Office

Attest:

Attesting Officer