



US00D396972S

United States Patent [19]
Van De Oudeweetering

[11] **Patent Number: Des. 396,972**
[45] **Date of Patent: **Aug. 18, 1998**

[54] **DESK CABINET FOR PERSONAL COMPUTER EQUIPMENT**
[75] **Inventor: Frederik Jacob Van De Oudeweetering, Naarden, Netherlands**
[73] **Assignee: Cascade Handelmij, B.V., Lelystad, Netherlands**
[**] **Term: 14 Years**

[21] **Appl. No.: 63,950**
[22] **Filed: Dec. 19, 1996**

[30] **Foreign Application Priority Data**

Jun. 25, 1996 [XH] Hague Agreement DM/036769
[51] **LOC (6) Cl. 06-04**
[52] **U.S. Cl. D6/433; D34/20; D34/21**
[58] **Field of Search D6/424, 433, 436; D34/19, 20, 21; 160/127, 202; 312/297, 249.8; 280/79.3, 47.35**

[56] **References Cited**

U.S. PATENT DOCUMENTS

D. 250,309 11/1978 Chervenak D6/433
D. 291,163 8/1987 Kwiecinski D6/433 X
D. 293,523 1/1988 Handler et al. D6/433 X
D. 341,275 11/1993 van den Nieuwelaar D6/433
D. 371,015 6/1996 Walters, III et al. D6/433
3,330,611 7/1967 Heifetz 312/297

4,432,591 2/1984 Rinkewich 312/297

Primary Examiner—James Gandy
Assistant Examiner—Linda Brooks
Attorney, Agent, or Firm—Hill & Simpson

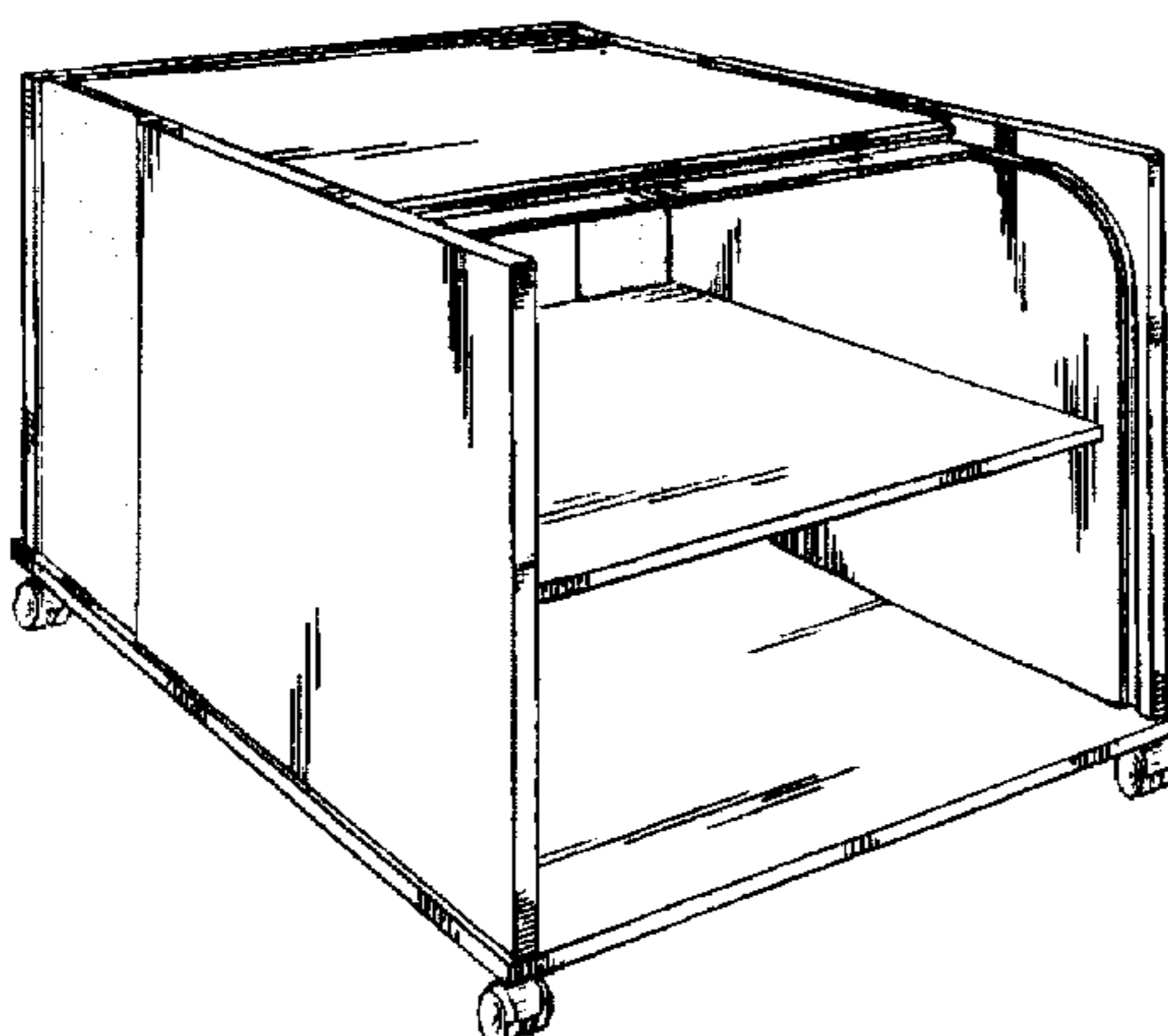
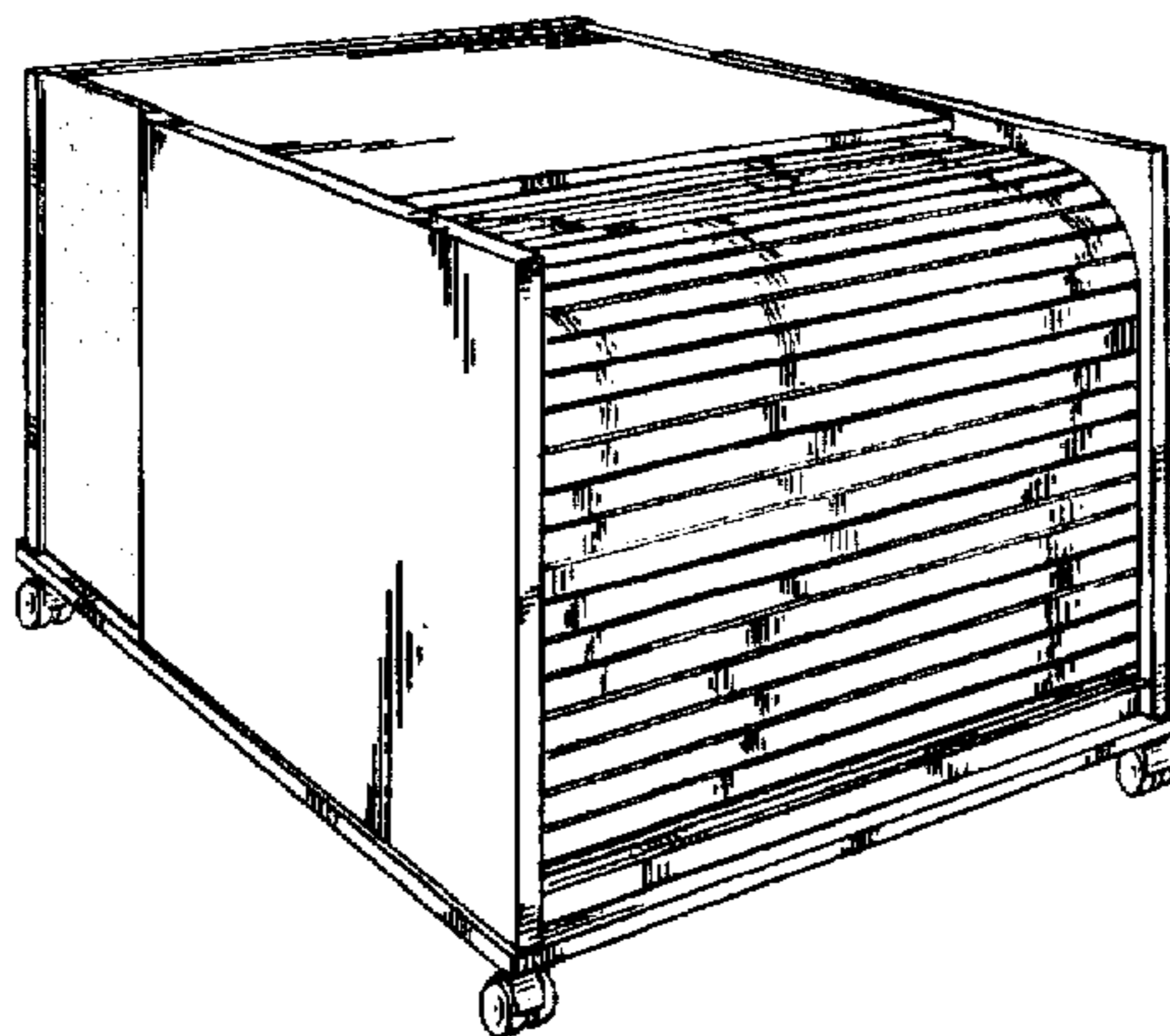
[57] **CLAIM**

The ornamental design for a desk cabinet for personal computer equipment, as shown and described.

DESCRIPTION

FIG. 1 is a perspective view taken from the front left side of the desk cabinet for personal computer equipment in accordance with the present invention;
FIG. 2 is a front elevational view of the desk cabinet for personal computer equipment of FIG. 1;
FIG. 3 is a side elevational view of the left side of the desk cabinet for personal computer equipment of FIG. 1 with the right side being a mirror image thereof;
FIG. 4 is a back elevational view of the desk cabinet for personal computer equipment of FIG. 1;
FIG. 5 is a top plan view of the desk cabinet for personal computer equipment of FIG. 1;
FIG. 6 is a perspective view taken from the front left side of the desk cabinet for personal computer equipment in an open condition;
FIG. 7 is a front elevational of the desk cabinet for personal computer equipment of FIG. 6; and,
FIG. 8 is a top plan view of the desk cabinet for personal computer equipment of FIG. 6.

1 Claim, 8 Drawing Sheets



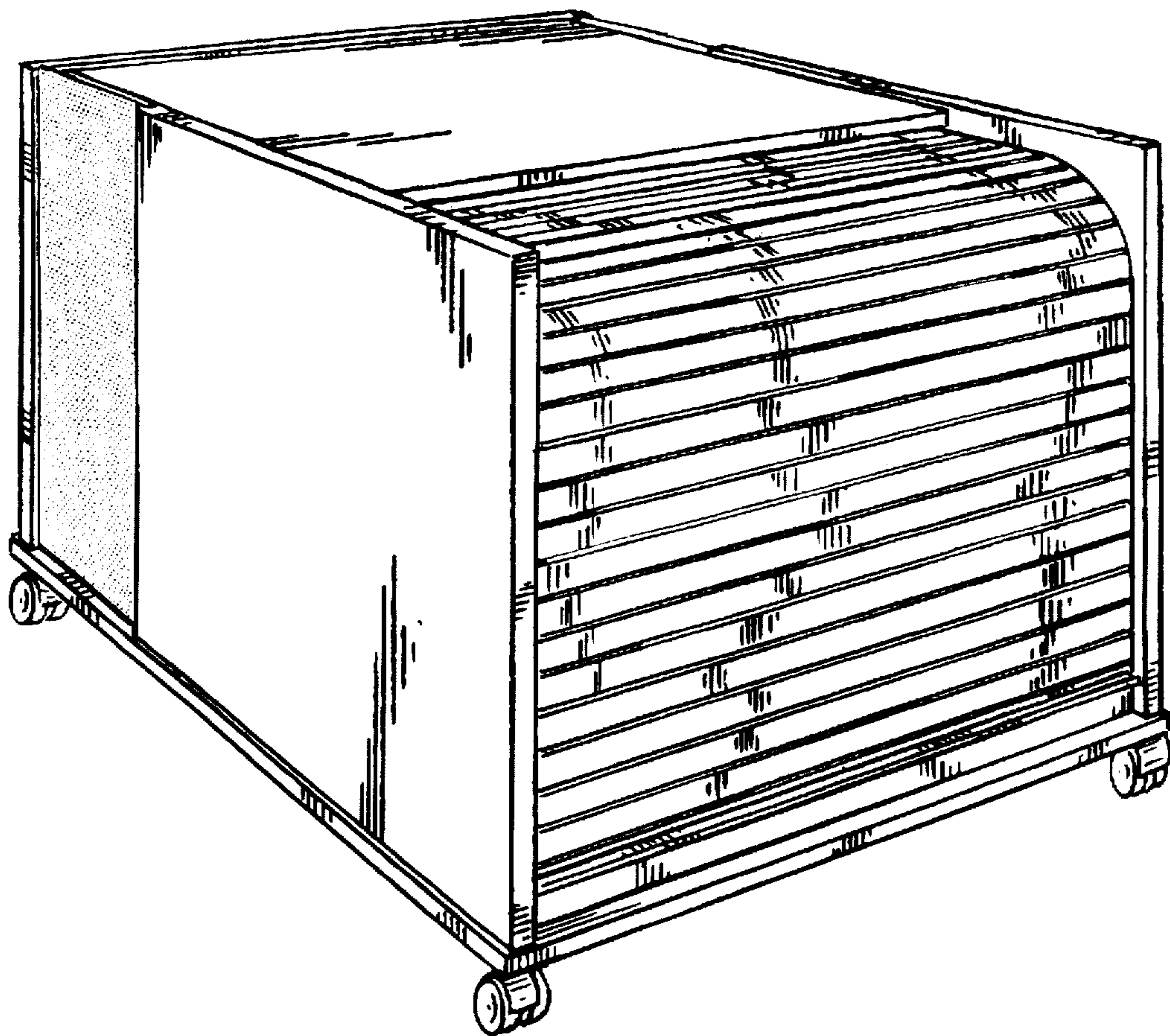


FIG. 1

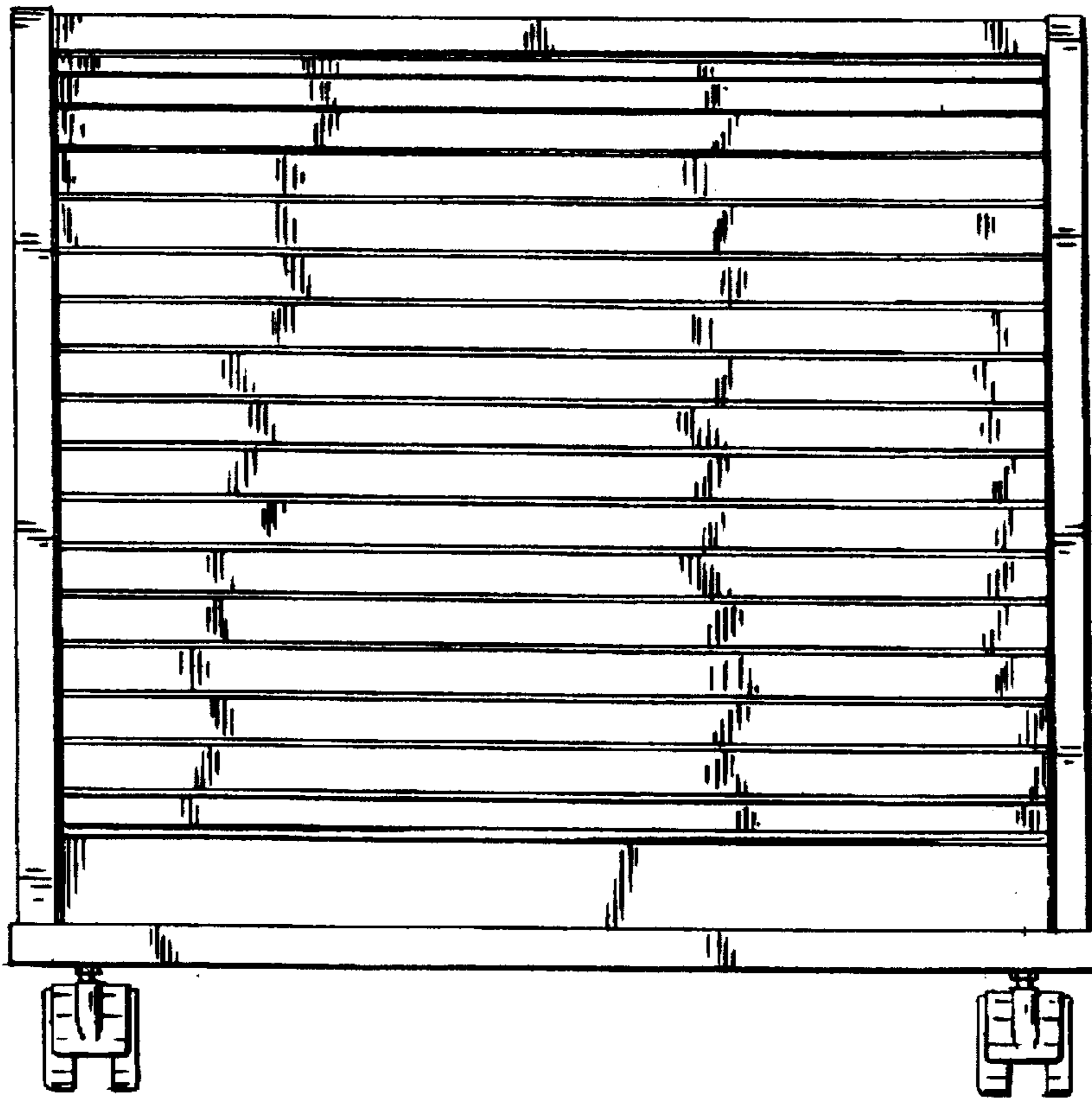


FIG. 2

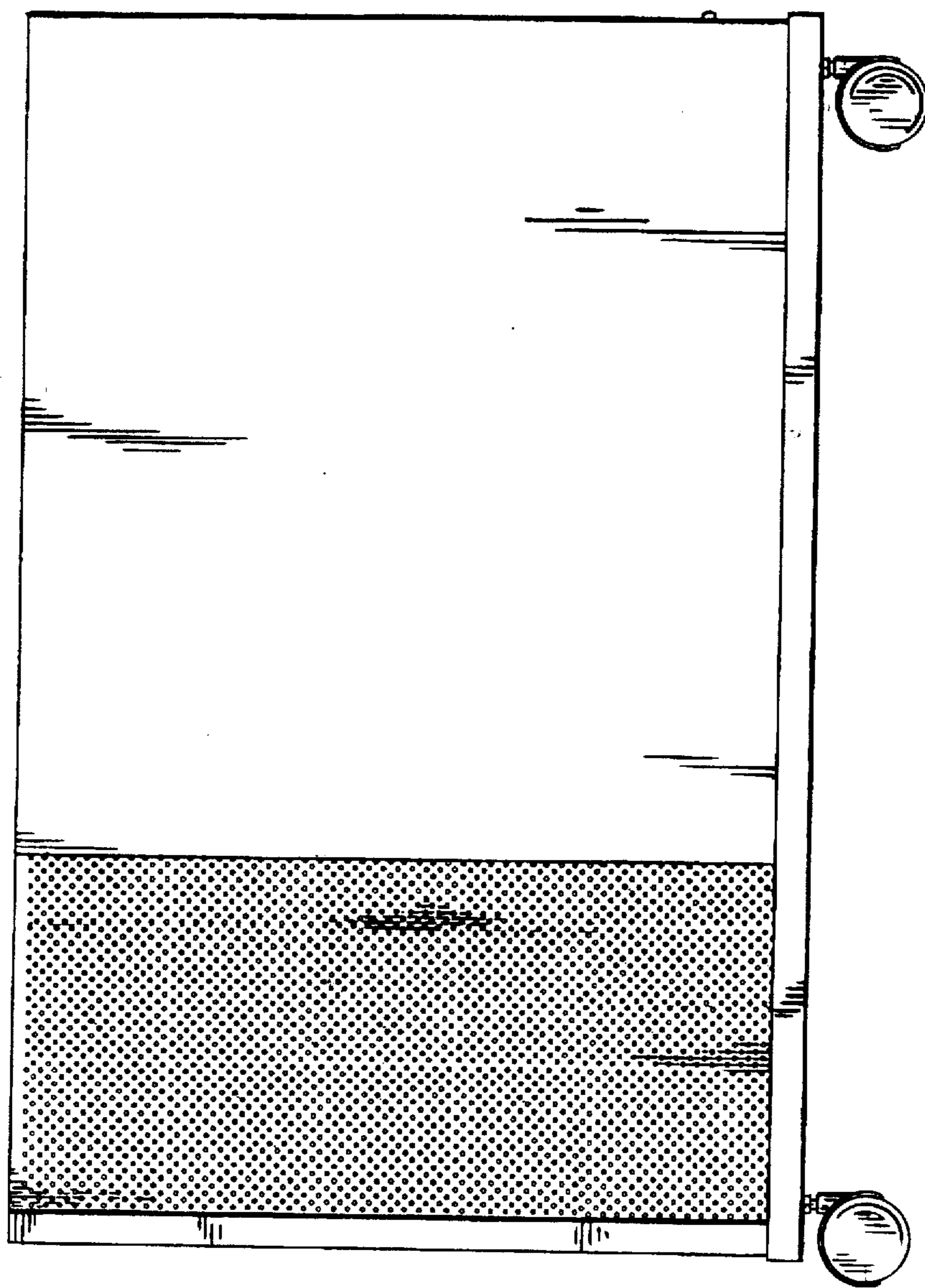


FIG. 3

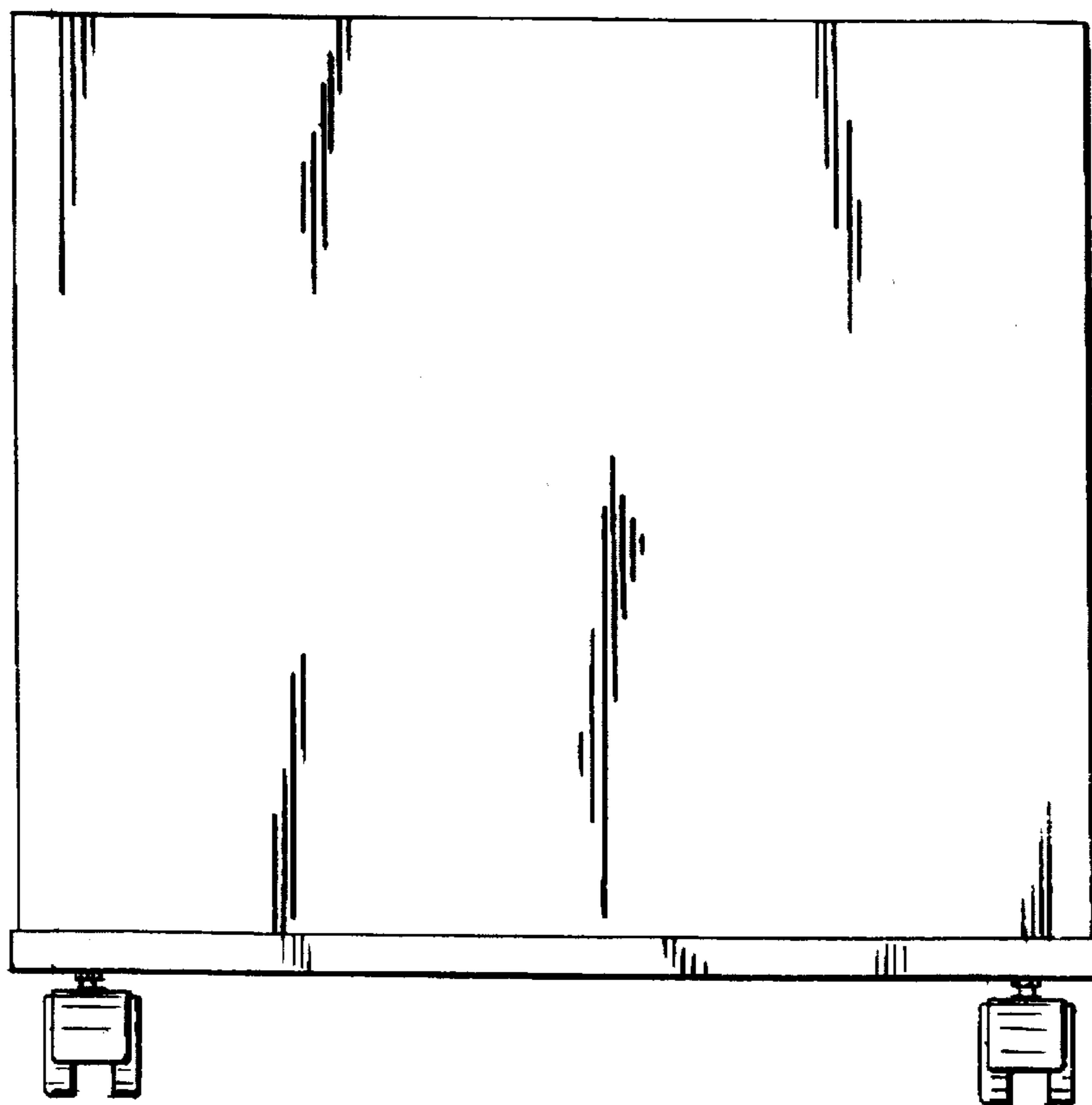


FIG. 4

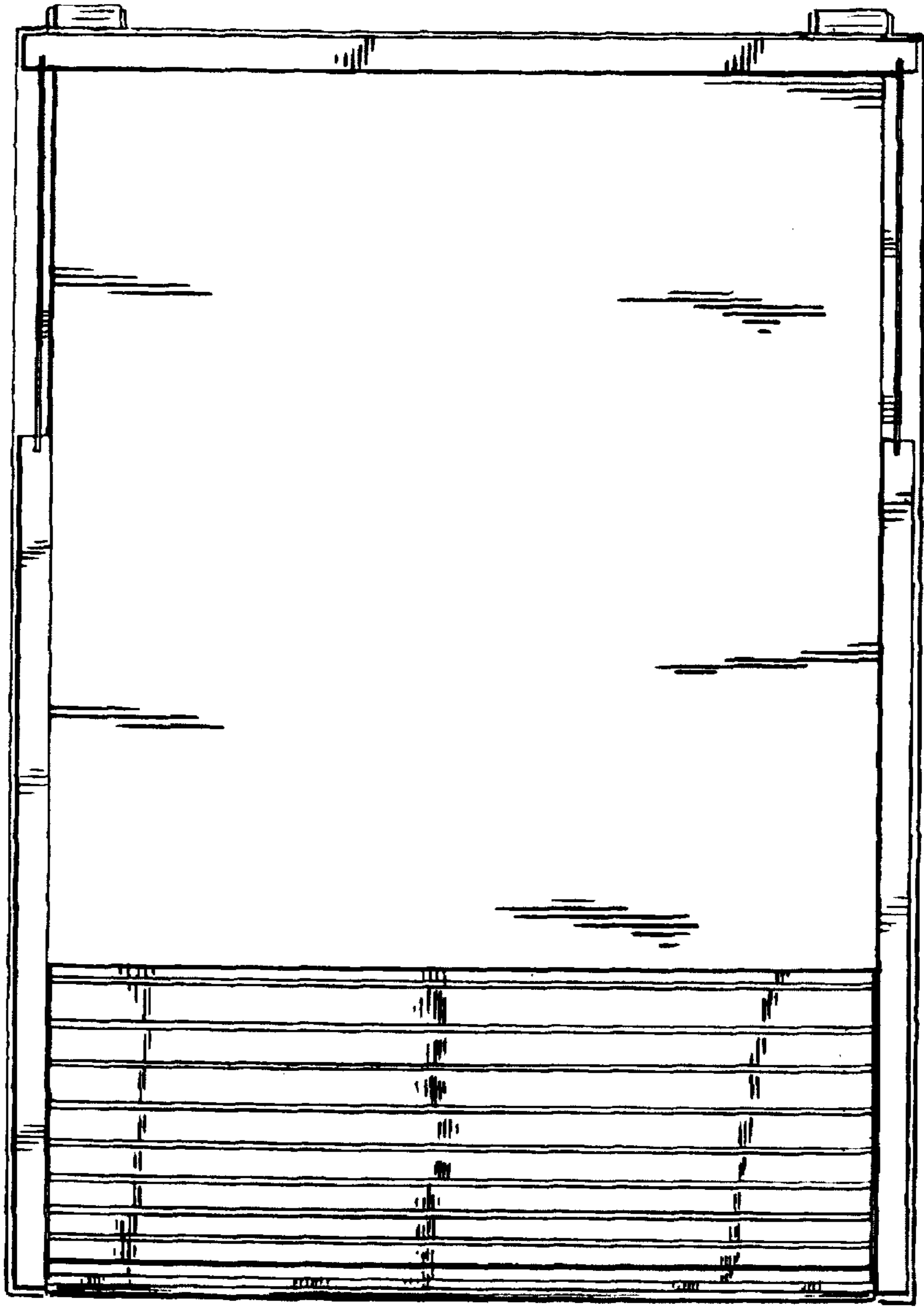


FIG.5

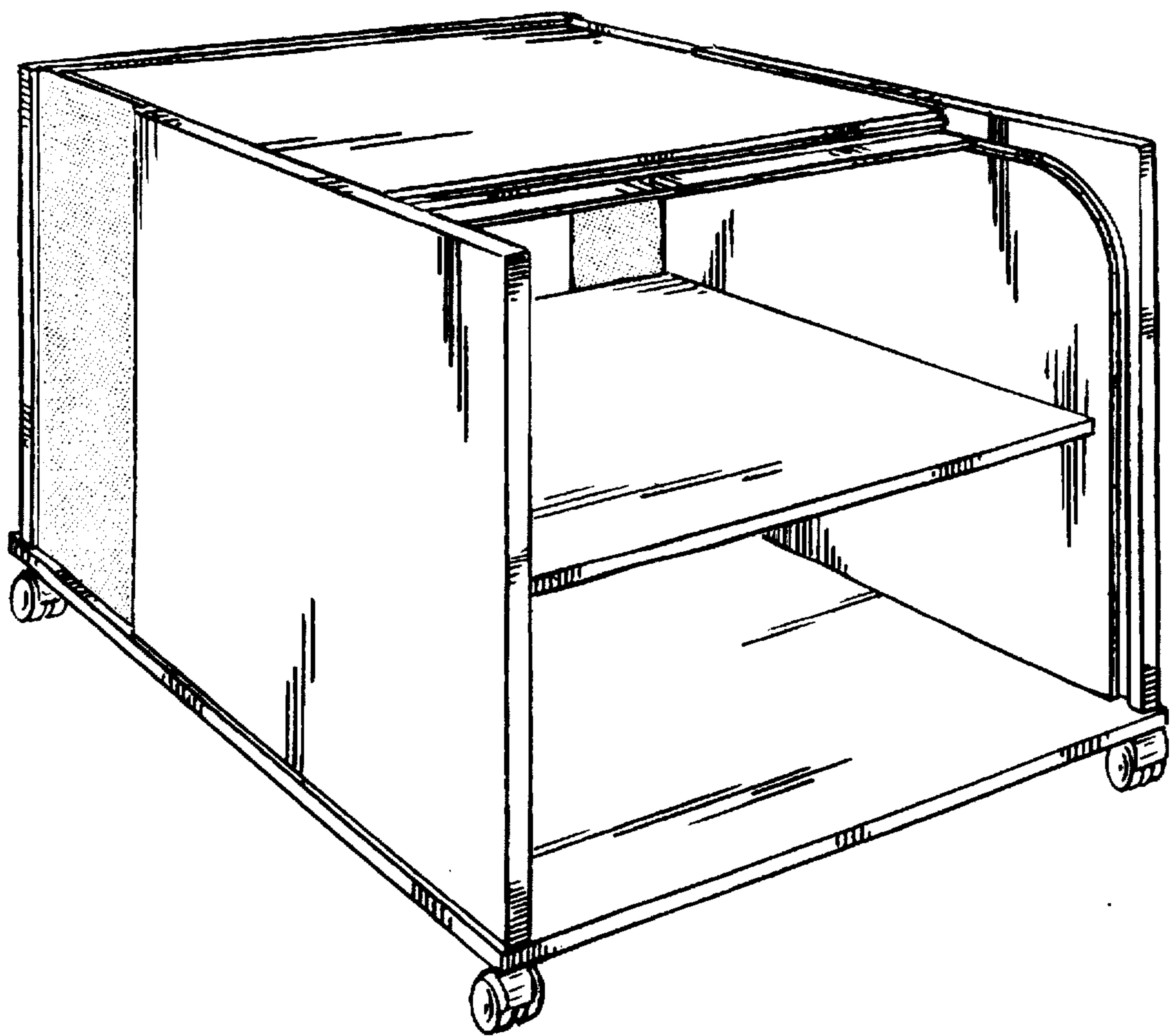


FIG. 6

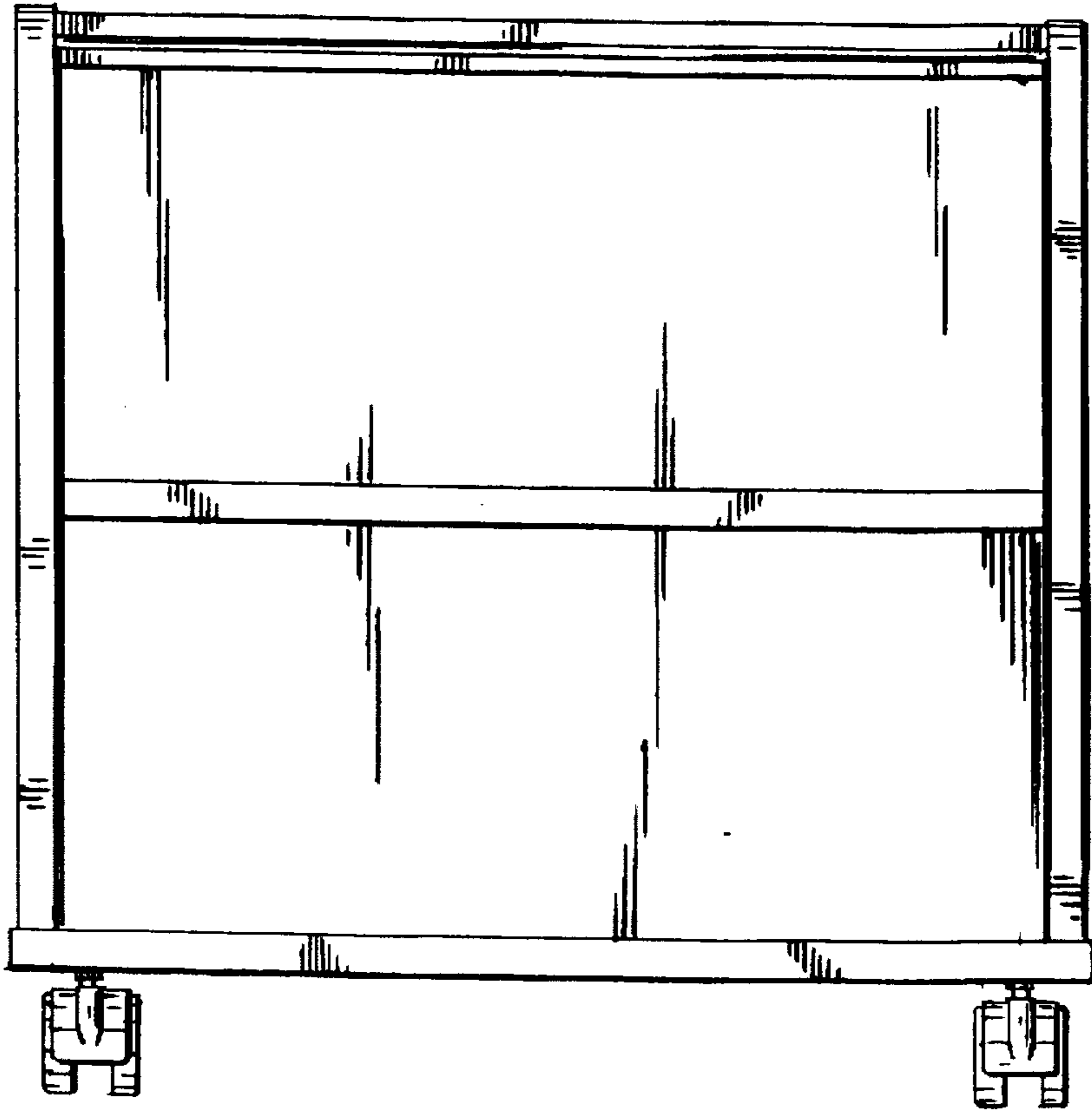


FIG. 7

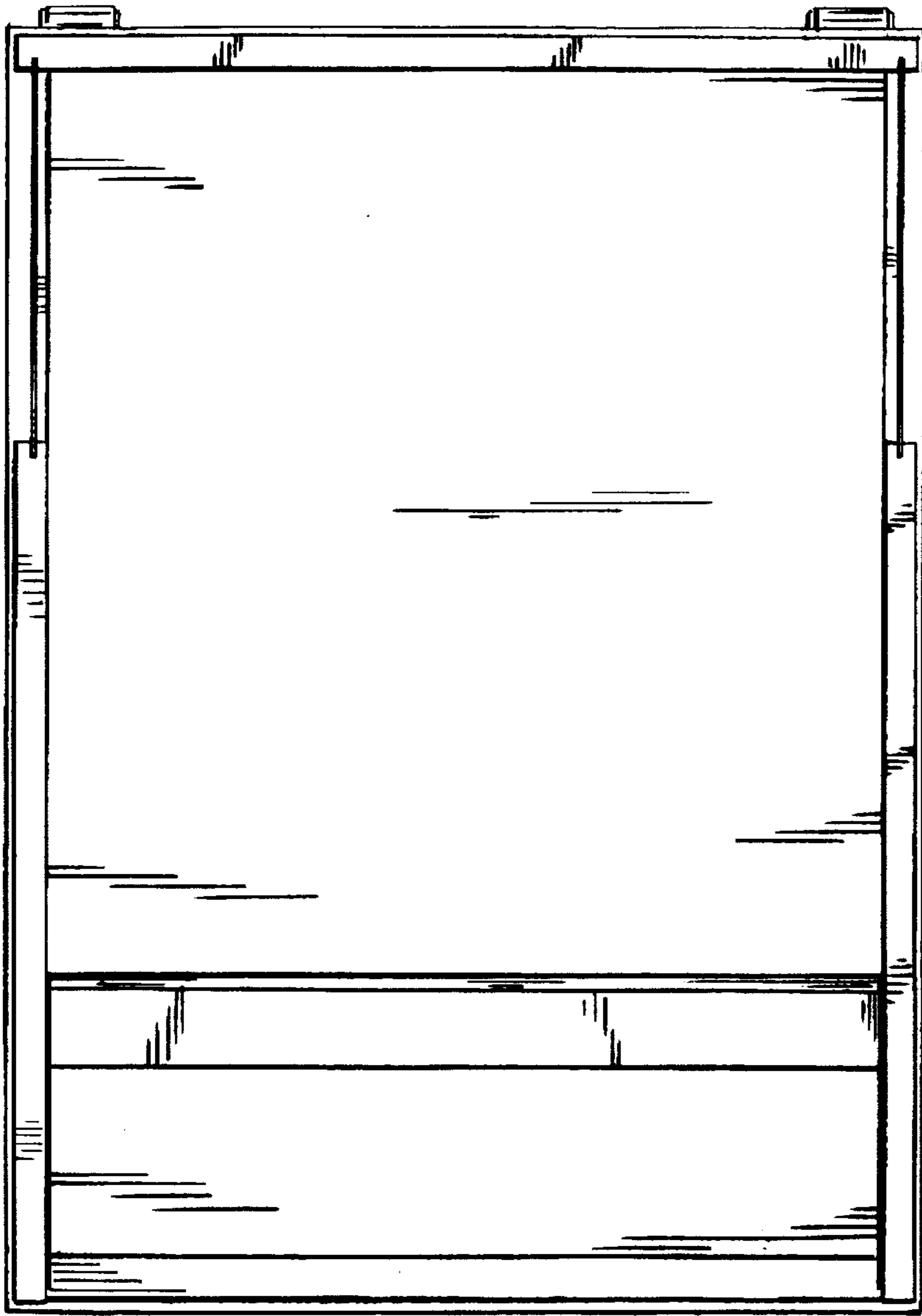


FIG. 8